



US00D892259S

(12) **United States Design Patent** (10) **Patent No.:** **US D892,259 S**  
**Pilkenton** (45) **Date of Patent:** **\*\* Aug. 4, 2020**

(54) **SLASHING KNIFE**  
(71) Applicant: **Matthew Pilkenton**, Churchville, NY (US)  
(72) Inventor: **Matthew Pilkenton**, Churchville, NY (US)  
(\*\*) Term: **15 Years**  
(21) Appl. No.: **29/692,736**  
(22) Filed: **May 28, 2019**  
(51) **LOC (12) Cl.** ..... **22-02**  
(52) **U.S. Cl.**  
USPC ..... **D22/117; D22/118**  
(58) **Field of Classification Search**  
USPC ..... D8/14, 98, 99, 100, 105, 107; D22/117, D22/118  
CPC ..... F41B 13/08; F41B 13/10; F41B 15/00; F41B 15/02; F41B 15/08  
See application file for complete search history.

(56) **References Cited**  
U.S. PATENT DOCUMENTS  
D256,217 S \* 8/1980 Korn ..... D8/98  
D362,485 S \* 9/1995 Hall ..... D22/118  
D379,211 S \* 5/1997 Thompson ..... D22/118  
D388,150 S \* 12/1997 Glesser ..... D22/117  
5,863,251 A \* 1/1999 Fusco ..... F41B 15/02  
463/47.2  
D464,551 S \* 10/2002 Glesser ..... D22/118  
D495,772 S \* 9/2004 Hibben ..... D22/118  
9,631,892 B1 \* 4/2017 Salvitti ..... F41B 13/08

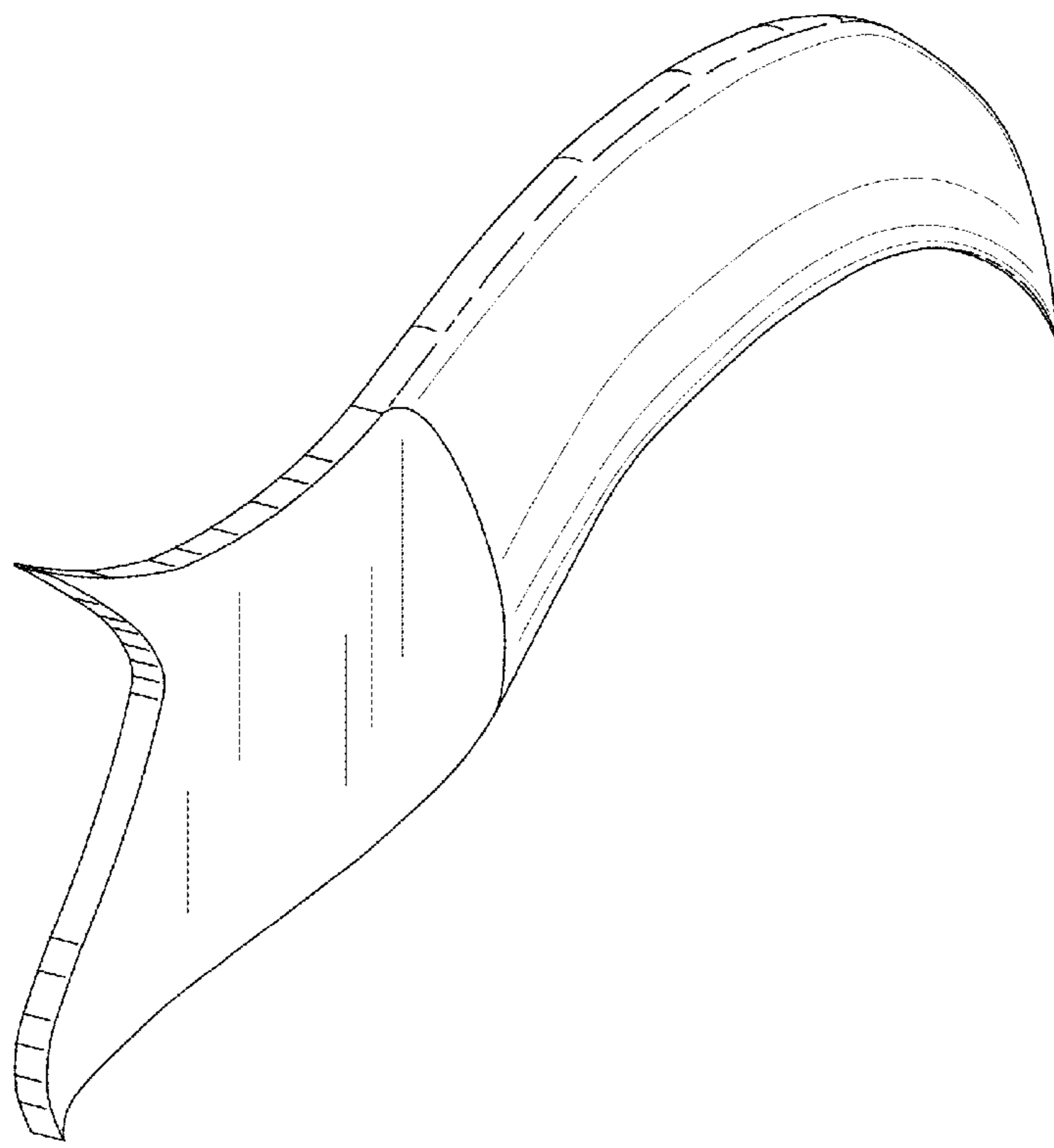
2005/0101389 A1\* 5/2005 Cory, Jr. .... F41B 15/08  
463/47.2  
2011/0010949 A1\* 1/2011 Garrison ..... F41B 13/00  
30/279.2  
2015/0224652 A1\* 8/2015 Irvin ..... F41B 13/00  
30/155  
2018/0154531 A1\* 6/2018 Caswell ..... F41B 13/00  
\* cited by examiner

*Primary Examiner* — Philip S Hyder  
(74) *Attorney, Agent, or Firm* — Tracy Jong Law Firm;  
Tracy P. Jong; Cheng Ning Jong

(57) **CLAIM**  
The ornamental design for slashing knife, as shown and described.

**DESCRIPTION**  
FIG. 1 is a right side view of a slashing knife, embodying my new design;  
FIG. 2 is a left side view thereof;  
FIG. 3 is a top view thereof;  
FIG. 4 is a bottom view thereof;  
FIG. 5 is a front view thereof;  
FIG. 6 is a rear view thereof;  
FIG. 7 is a top front right side perspective view thereof;  
FIG. 8 is a front left side perspective view of the present slashing knife disposed in a hand of a user; and,  
FIG. 9 is a top front right side perspective view thereof.  
The broken line showings of the hand in FIGS. 8 and 9 are provided for purposes of environment and form no part of the claimed design.

**1 Claim, 4 Drawing Sheets**



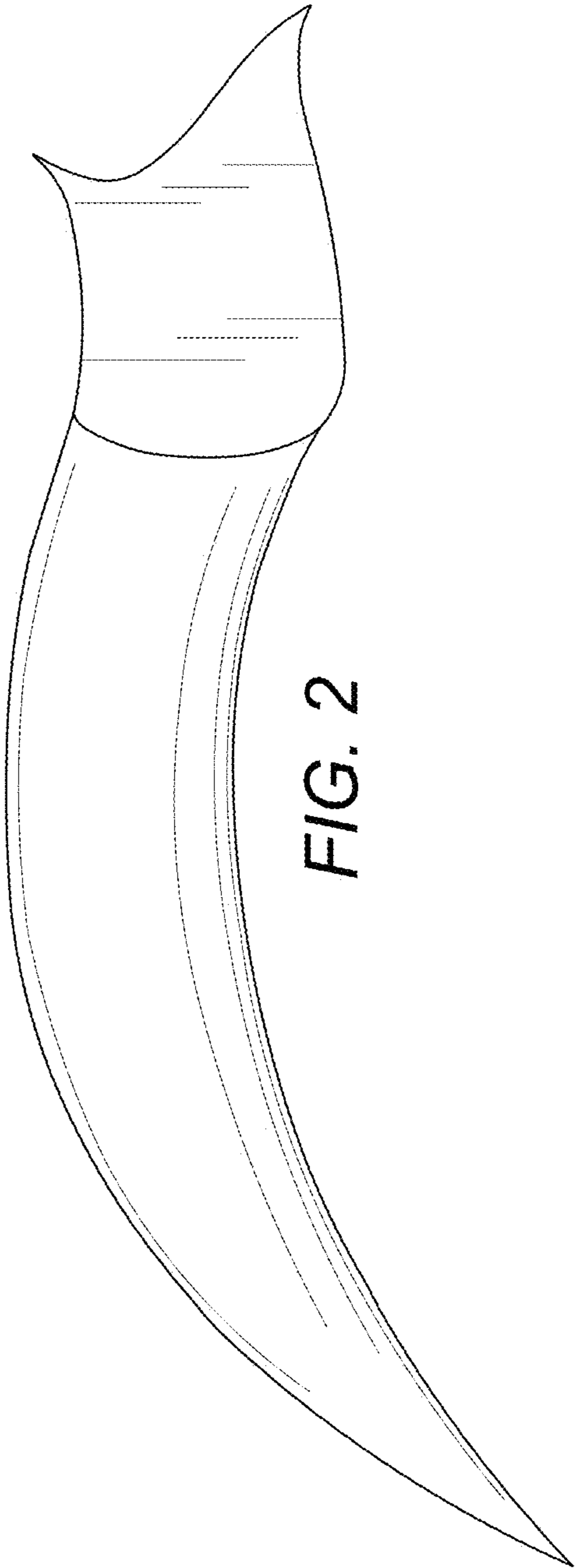
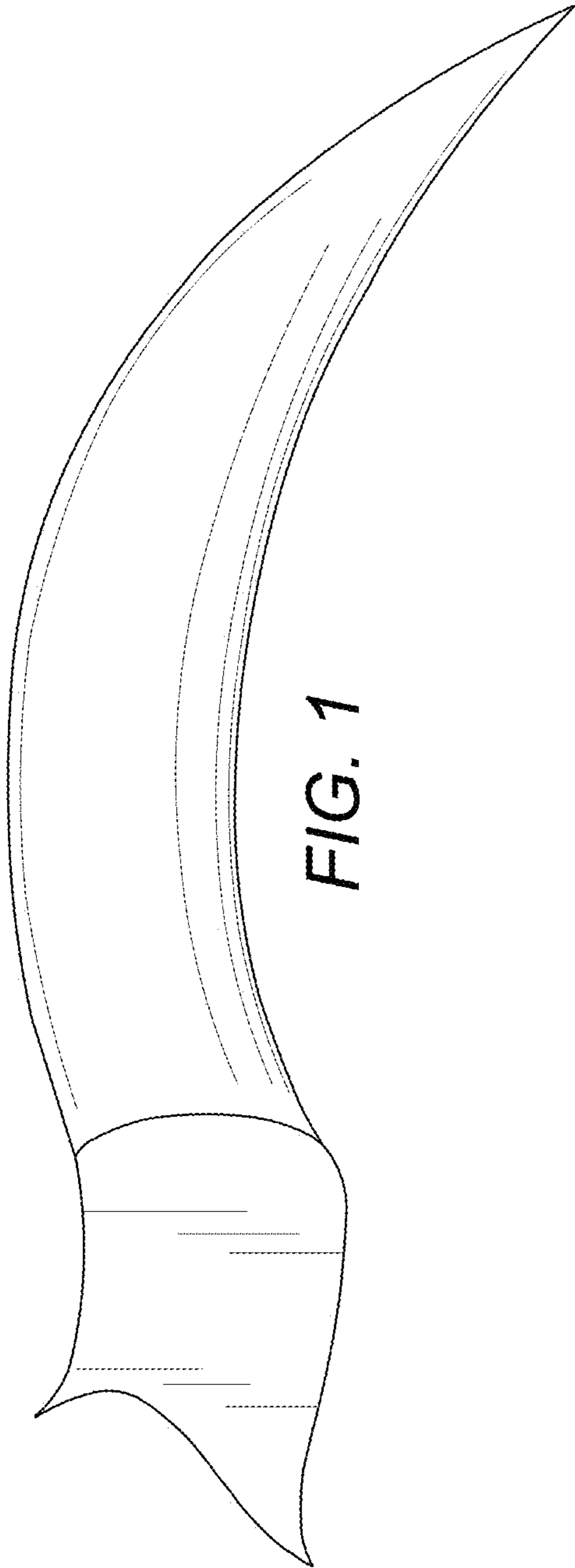




FIG. 3



FIG. 4

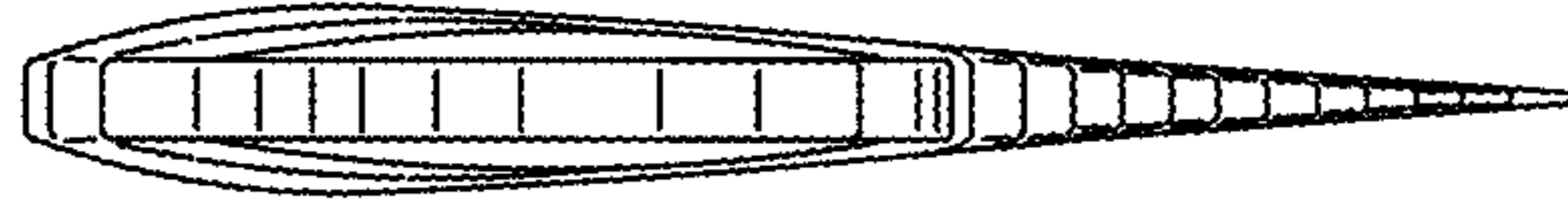


FIG. 5

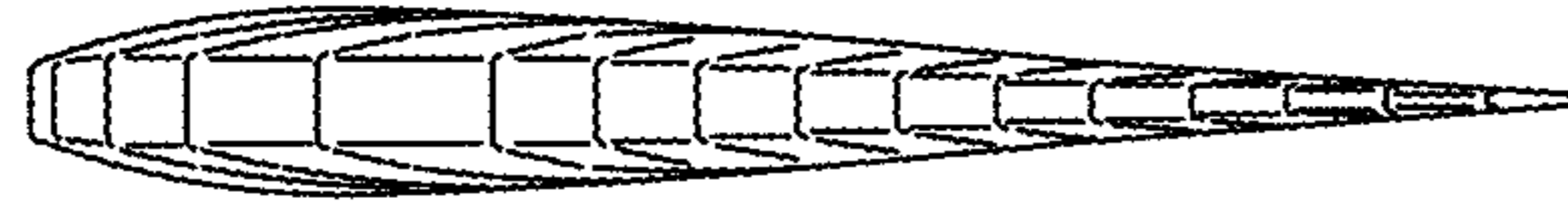


FIG. 6

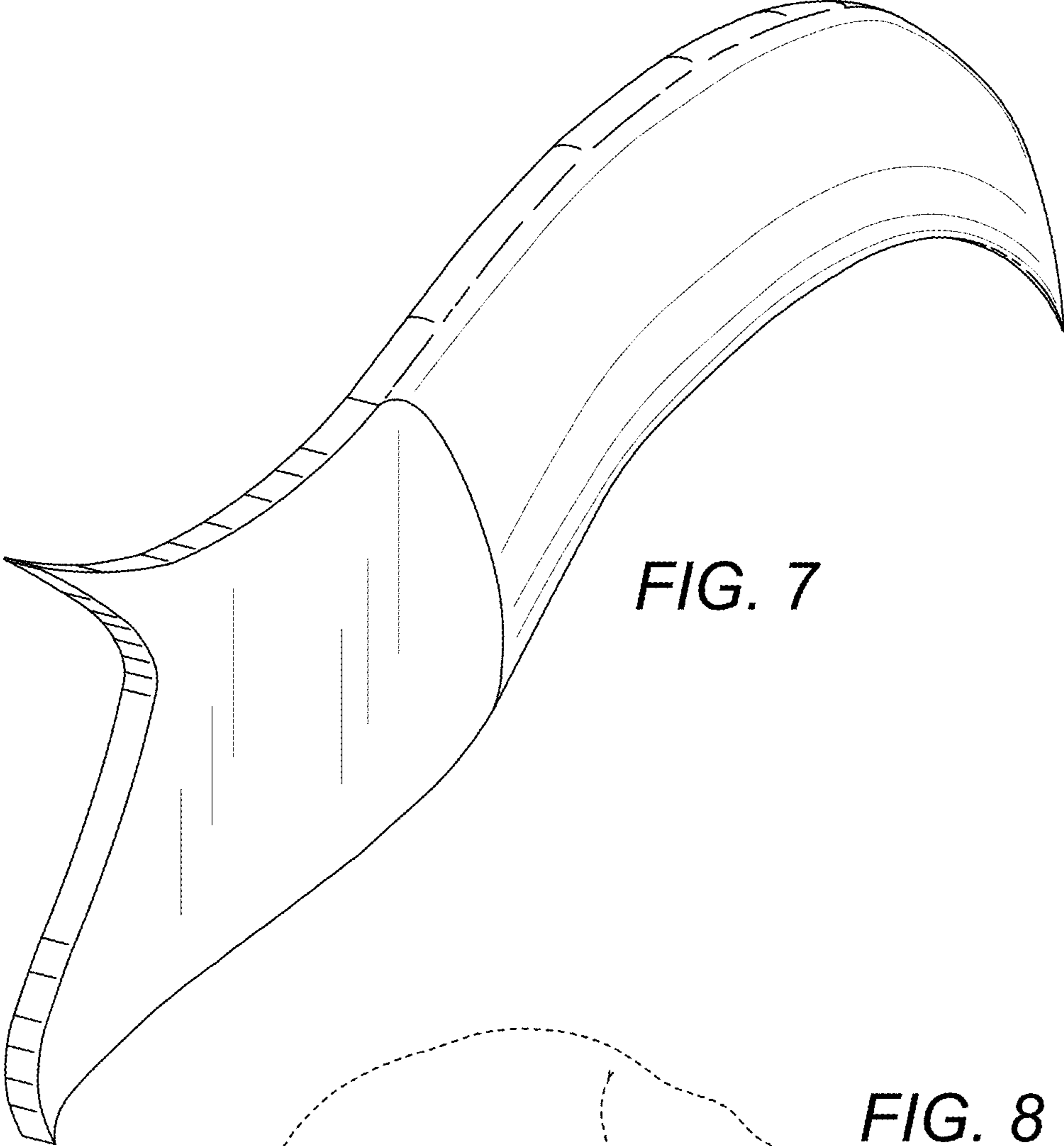


FIG. 7

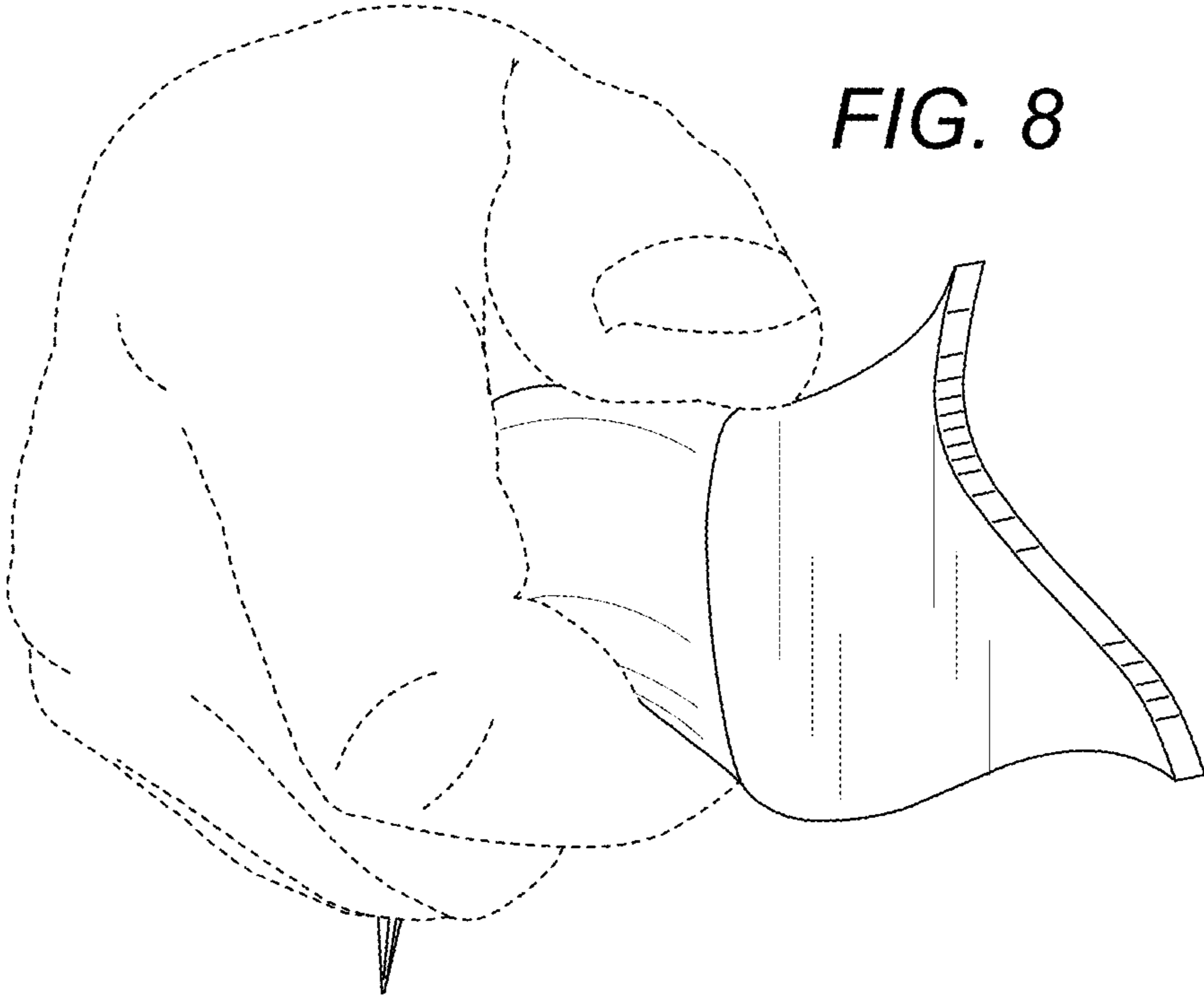


FIG. 8

**FIG. 9**

