



US00D892257S

(12) **United States Design Patent** (10) **Patent No.:** **US D892,257 S**  
**Odle et al.** (45) **Date of Patent:** **\*\* Aug. 4, 2020**

- (54) **FRONT SIGHT POST**
- (71) Applicant: **General Manufacturing, LLC**,  
Columbia, MO (US)
- (72) Inventors: **Nathan Odle**, Columbia, MO (US);  
**Sam Campbell**, Columbia, MO (US);  
**Richard Martin**, Columbia, MO (US)
- (73) Assignee: **General Manufacturing, LLC**,  
Columbia, MO (US)
- (\*\*) Term: **15 Years**
- (21) Appl. No.: **29/600,012**
- (22) Filed: **Apr. 8, 2017**
- (51) **LOC (12) Cl.** ..... **22-01**
- (52) **U.S. Cl.**  
USPC ..... **D22/109**
- (58) **Field of Classification Search**  
USPC ..... D22/101, 107–111  
CPC . F41G 11/003; F41G 1/00; F41G 1/16; F41G  
1/345  
See application file for complete search history.

- (56) **References Cited**  
U.S. PATENT DOCUMENTS
- 1,851,189 A \* 3/1932 King ..... F41G 1/02  
42/144
- 2,531,421 A \* 11/1950 Garand ..... F41G 1/18  
42/137
- D416,069 S \* 11/1999 Emerson ..... D22/108
- D469,839 S \* 2/2003 Gibbs ..... D22/107
- D700,268 S \* 2/2014 Hormberg ..... D22/109
- D738,982 S \* 9/2015 Silvers ..... D22/108
- D759,781 S \* 6/2016 Hagan ..... D22/109
- D777,873 S \* 1/2017 Hagan ..... D22/109
- D837,929 S \* 1/2019 Wright ..... D22/110
- D869,596 S \* 12/2019 Huston ..... D22/109

- 2011/0308133 A1\* 12/2011 Nemec ..... F41G 1/16  
42/137
- 2015/0226520 A1\* 8/2015 Williams ..... F41G 1/02  
42/111
- 2017/0023320 A1\* 1/2017 Barrett ..... F41A 3/66
- 2017/0102204 A1\* 4/2017 Mezynski ..... F41A 35/02
- 2017/0350674 A1\* 12/2017 Odle ..... F41G 1/01
- 2019/0011223 A1\* 1/2019 Odle ..... F41G 1/033

**OTHER PUBLICATIONS**

Trijicon AR-15 Post Front Sight, posted at Brownells, review posted Jun. 9, 2012. [Site visited Sep. 14, 2018] URL: <<https://www.brownells.com/rifle-parts/sights/front-sights/ar-15-post-front-sight-prod13170.aspx>> (Year: 2012).\*

KNS Precision AR-15 Front Post Sight Pack, posted at Brownells, review posted Jul. 20, 2012. [Site visited Sep. 14, 2018] URL: <<https://www.brownells.com/rifle-parts/sights/front-sights/ar-15-post-front-sight-pack-prod13802.aspx>> (Year: 2012).\*

(Continued)

*Primary Examiner* — Kevin K Rudzinski

*Assistant Examiner* — Kathleen L Jones

(74) *Attorney, Agent, or Firm* — Brett M. Maland

(57) **CLAIM**

The ornamental design for a front sight post, as shown and described.

**DESCRIPTION**

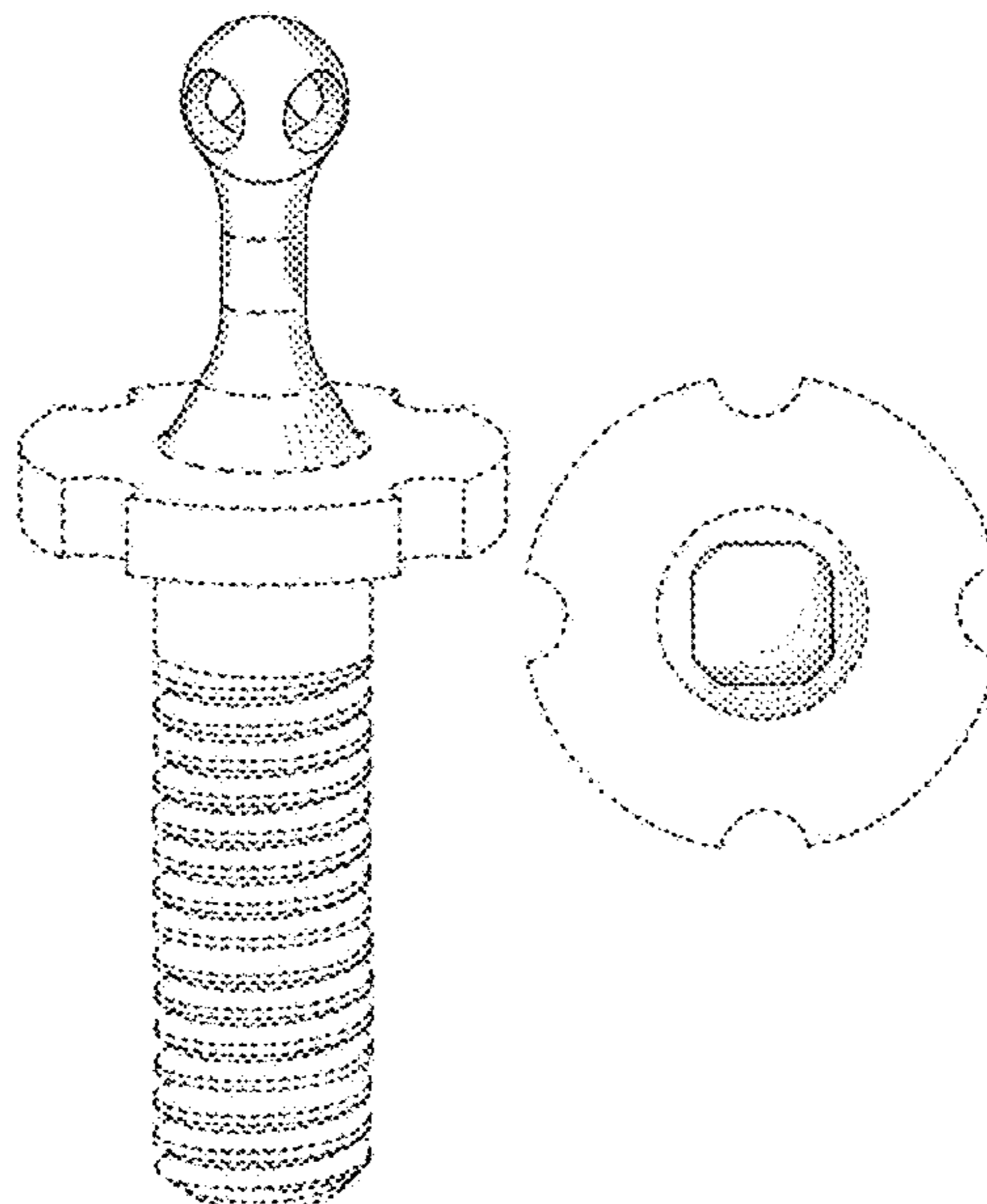
FIG. 1 is a top front perspective view of the new design; FIG. 2 is a side view thereof; and, FIG. 3 is a top view thereof.

The new design appears the same as in FIG. 2 on three other side views.

The broken lines in the Figures show portions of the new design that form no part of the claimed design.

The shade lines in the Figures show contour and not surface ornamentation.

**1 Claim, 3 Drawing Sheets**



(56)

**References Cited**

OTHER PUBLICATIONS

KNS Front Sight Post AR-15 Hooded Reticle Matte, posted at Midway USA, review posted 2013. [Site visited Sep. 14, 2018]  
URL: <<https://www.midwayusa.com/product/1323188238/kns-front-sight-post-ar-15-hooded-reticle-matte>> (Year: 2013).\*

\* cited by examiner

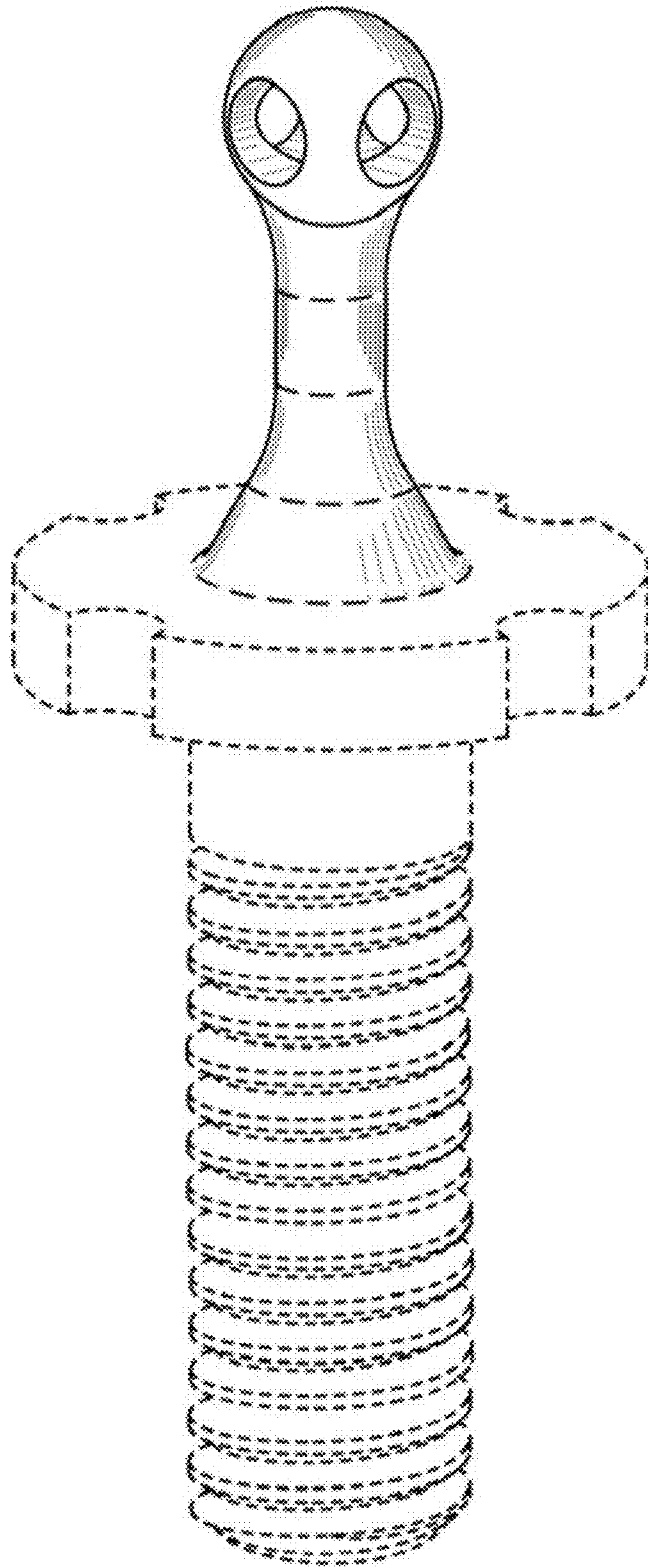


FIG. 1

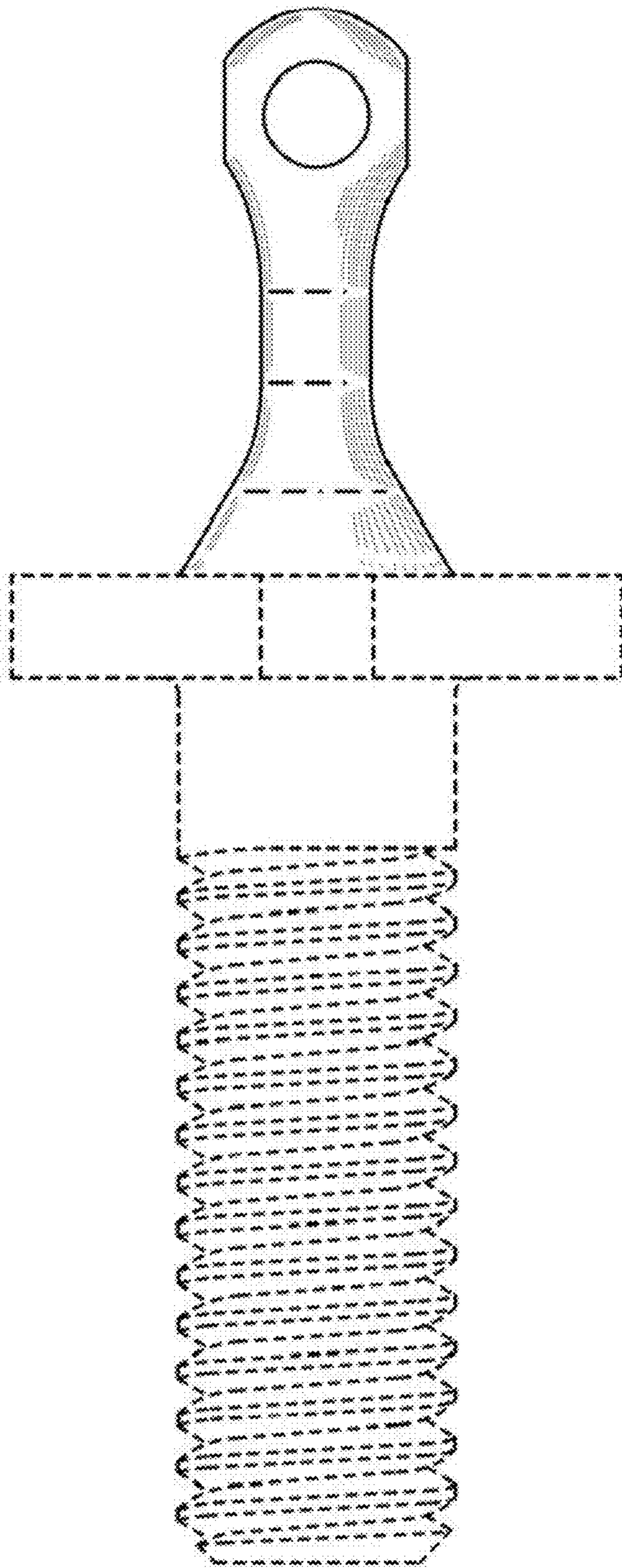


FIG. 2

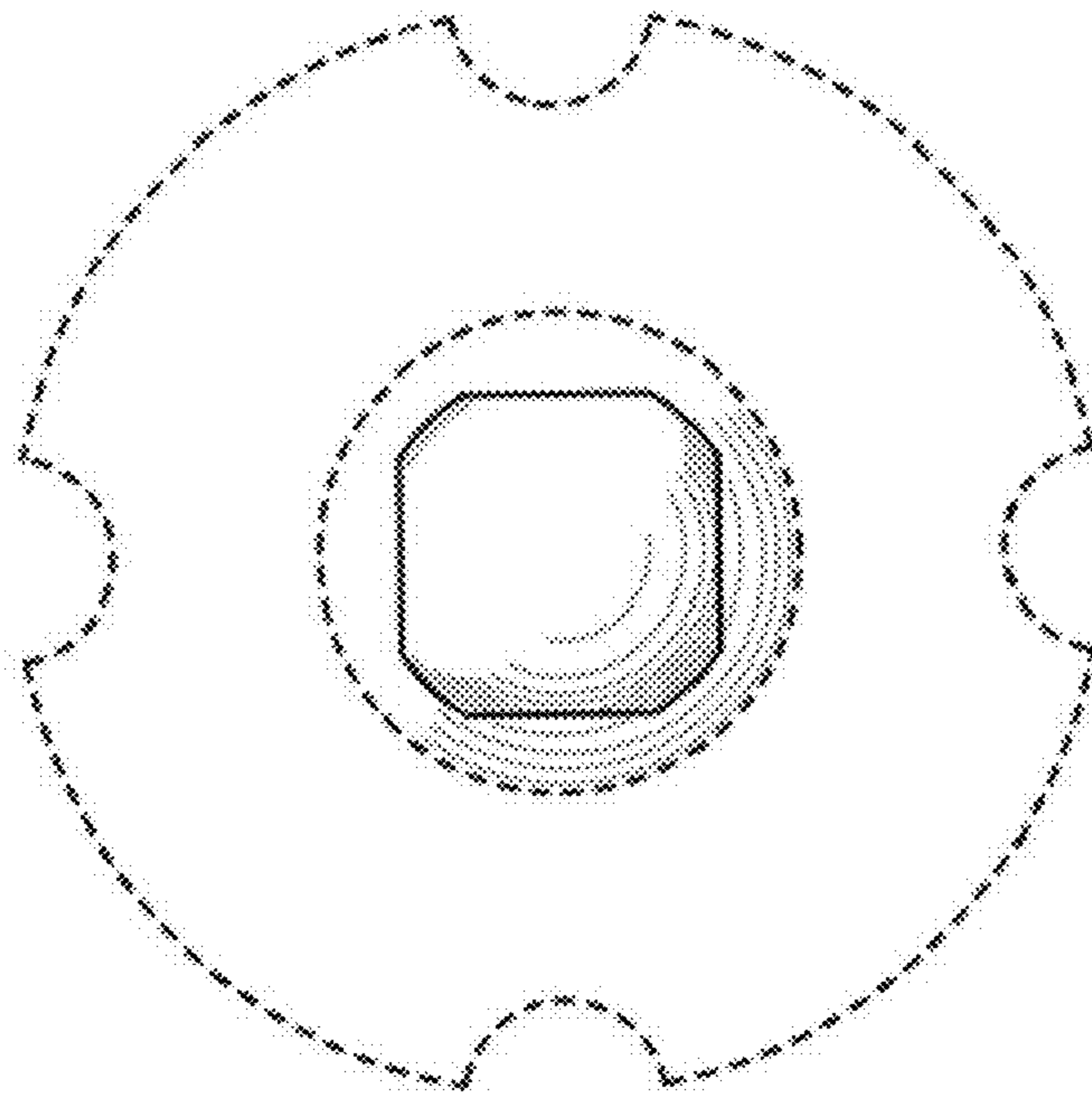


FIG. 3