



US00D892256S

(12) **United States Design Patent**
Aguilar et al.

(10) **Patent No.:** **US D892,256 S**

(45) **Date of Patent:** **** Aug. 4, 2020**

(54) **COLLAPSIBLE STOCK**

(71) Applicant: **VK Integrated Systems**, Fullerton, CA (US)

(72) Inventors: **Steve I. Aguilar**, Fullerton, CA (US);
Vasilios K. Kapogianis, Fullerton, CA (US); **Daniel Pico**, Fullerton, CA (US)

(**) Term: **15 Years**

(21) Appl. No.: **29/685,220**

(22) Filed: **Mar. 27, 2019**

(51) **LOC (12) Cl.** **22-08**

(52) **U.S. Cl.**
USPC **D22/108**

(58) **Field of Classification Search**
USPC D22/108; D21/572-573
CPC F41C 23/04; F41C 23/14; F41C 23/06;
F41C 23/22
See application file for complete search history.

(56) **References Cited**

U.S. PATENT DOCUMENTS

D706,879 S	*	6/2014	Chu	D21/573
D744,048 S	*	11/2015	Chu	D21/573
D760,326 S	*	6/2016	Chu	D21/573
D769,396 S	*	10/2016	Keller, II	D22/108
D773,005 S	*	11/2016	Ding	D22/108
D810,225 S	*	2/2018	Huang	D22/108
D871,536 S	*	12/2019	Lessard	D22/108

* cited by examiner

Primary Examiner — Michael A. Pratt

(74) *Attorney, Agent, or Firm* — Paul J. Backofen, Esq.

(57) **CLAIM**

The ornamental design for a collapsible stock, as shown and described.

DESCRIPTION

FIG. 1 is a right-front perspective view of a collapsible stock showing our new design.

FIG. 2 is a right-rear perspective view thereof.

FIG. 3 is a left side elevation view thereof.

FIG. 4 is a right side elevation view thereof.

FIG. 5 is a top elevation view thereof.

FIG. 6 is a bottom elevation view thereof.

FIG. 7 is a front plan view thereof.

FIG. 8 is a rear plan view thereof.

FIG. 9 is a right-front perspective view of an alternate collapsible stock showing our new design.

FIG. 10 is a right-rear perspective view thereof.

FIG. 11 is a left side elevation view thereof.

FIG. 12 is a right side elevation view thereof.

FIG. 13 is a top elevation view thereof.

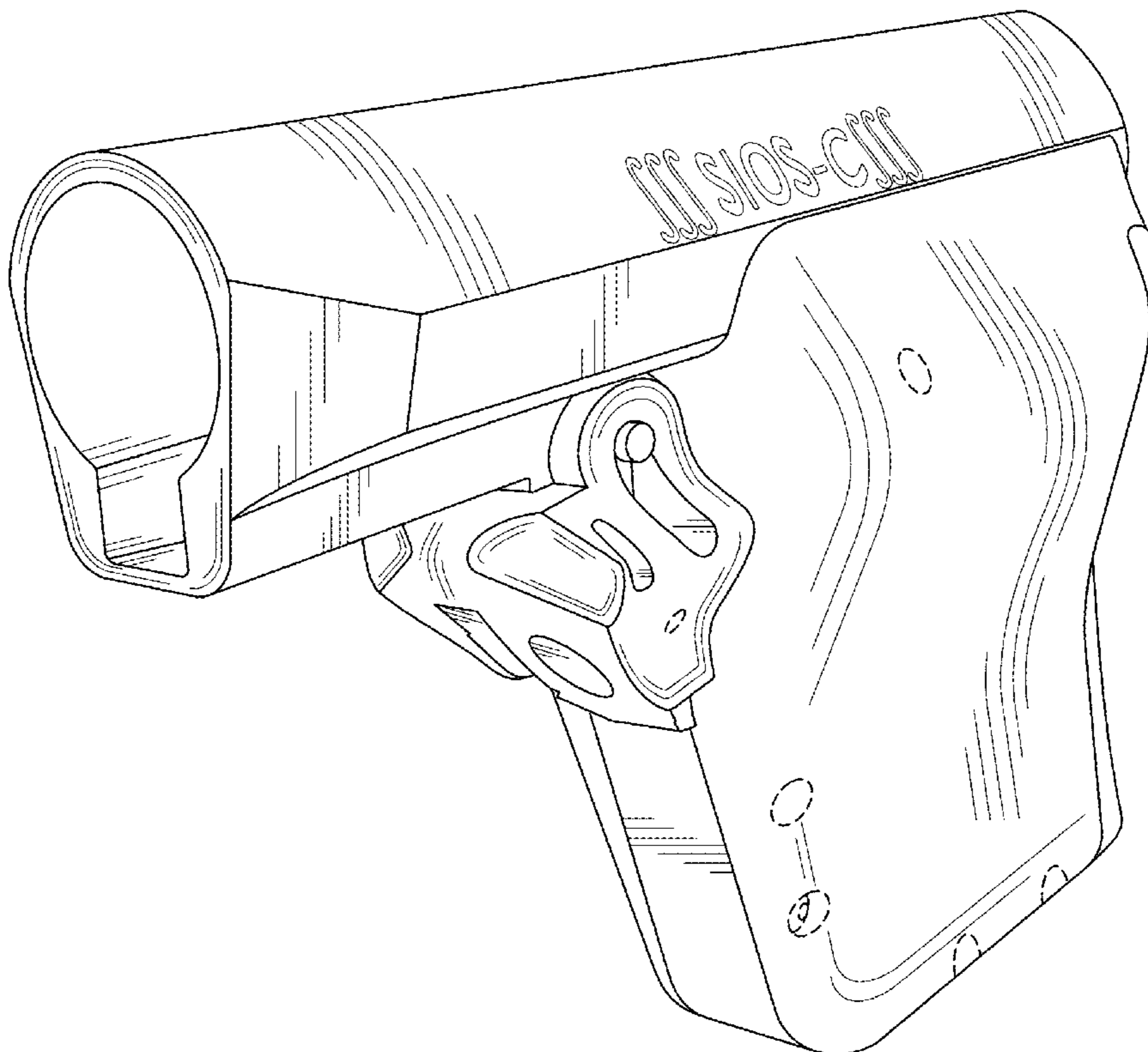
FIG. 14 is a bottom elevation view thereof.

FIG. 15 is a front plan view thereof; and,

FIG. 16 is a rear plan view thereof.

Broken lines in the attached drawings are included for the purpose of illustrating portions of the collapsible stock and form no part of the claimed design.

1 Claim, 16 Drawing Sheets



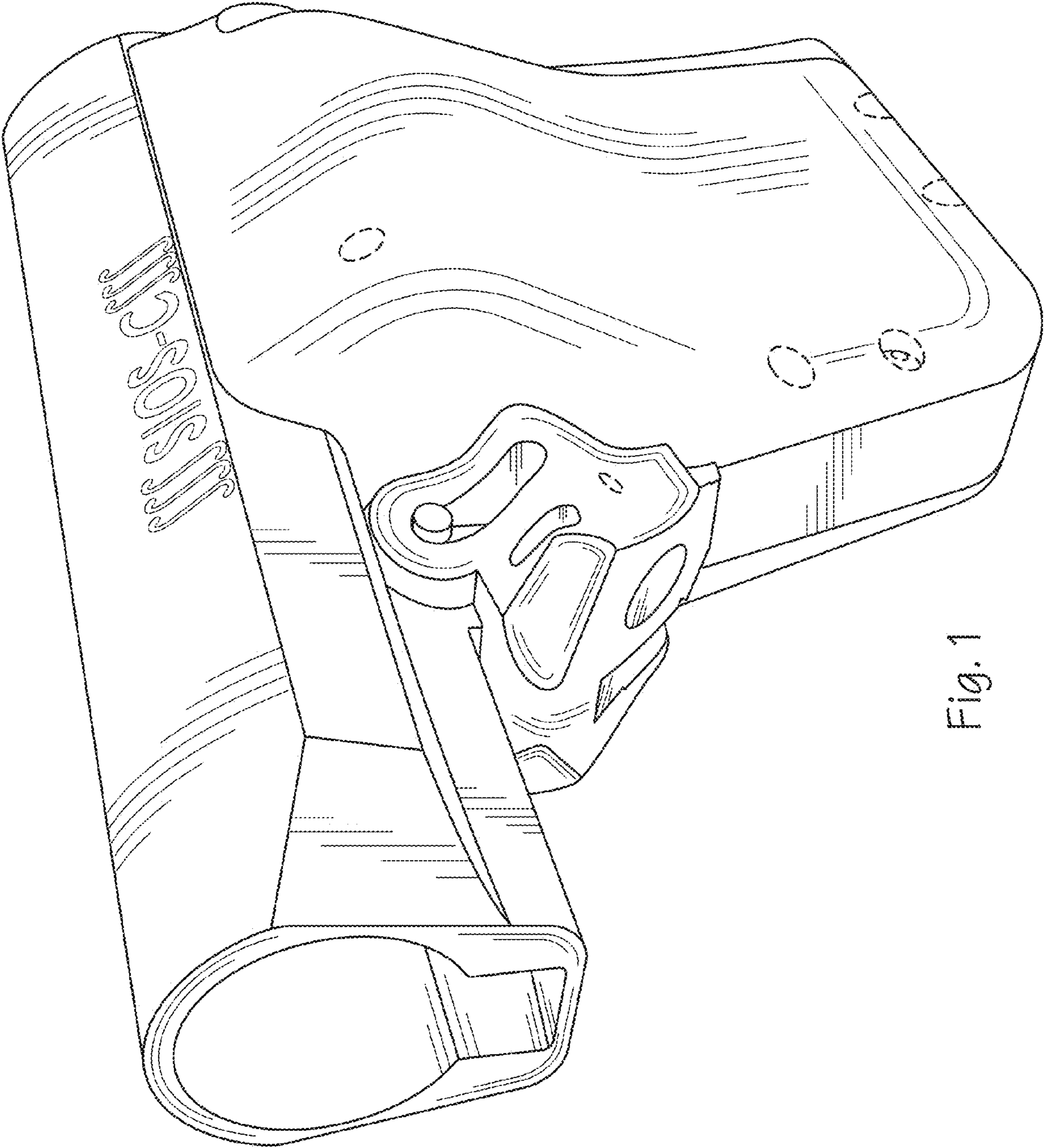


Fig. 1

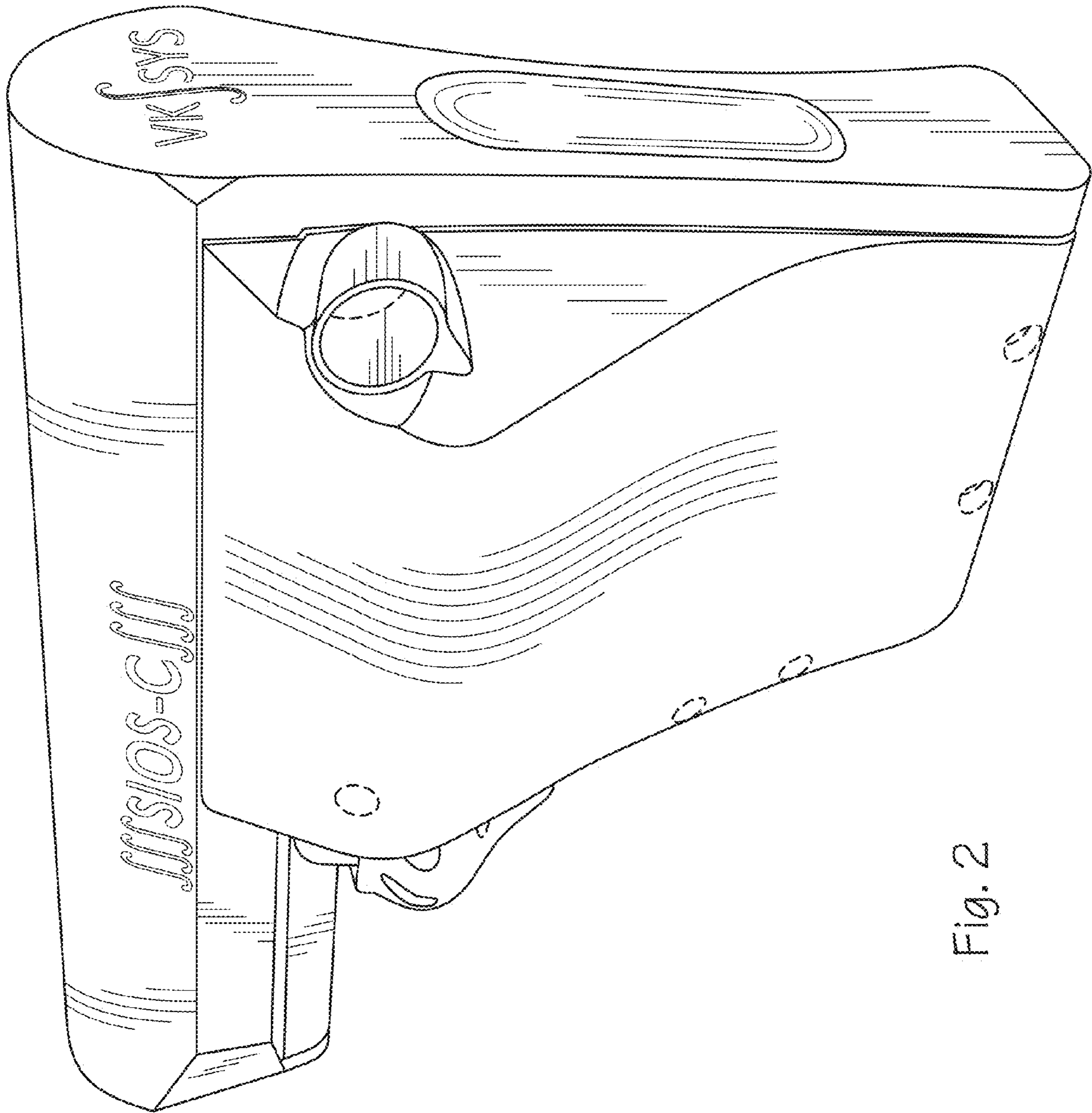


Fig. 2

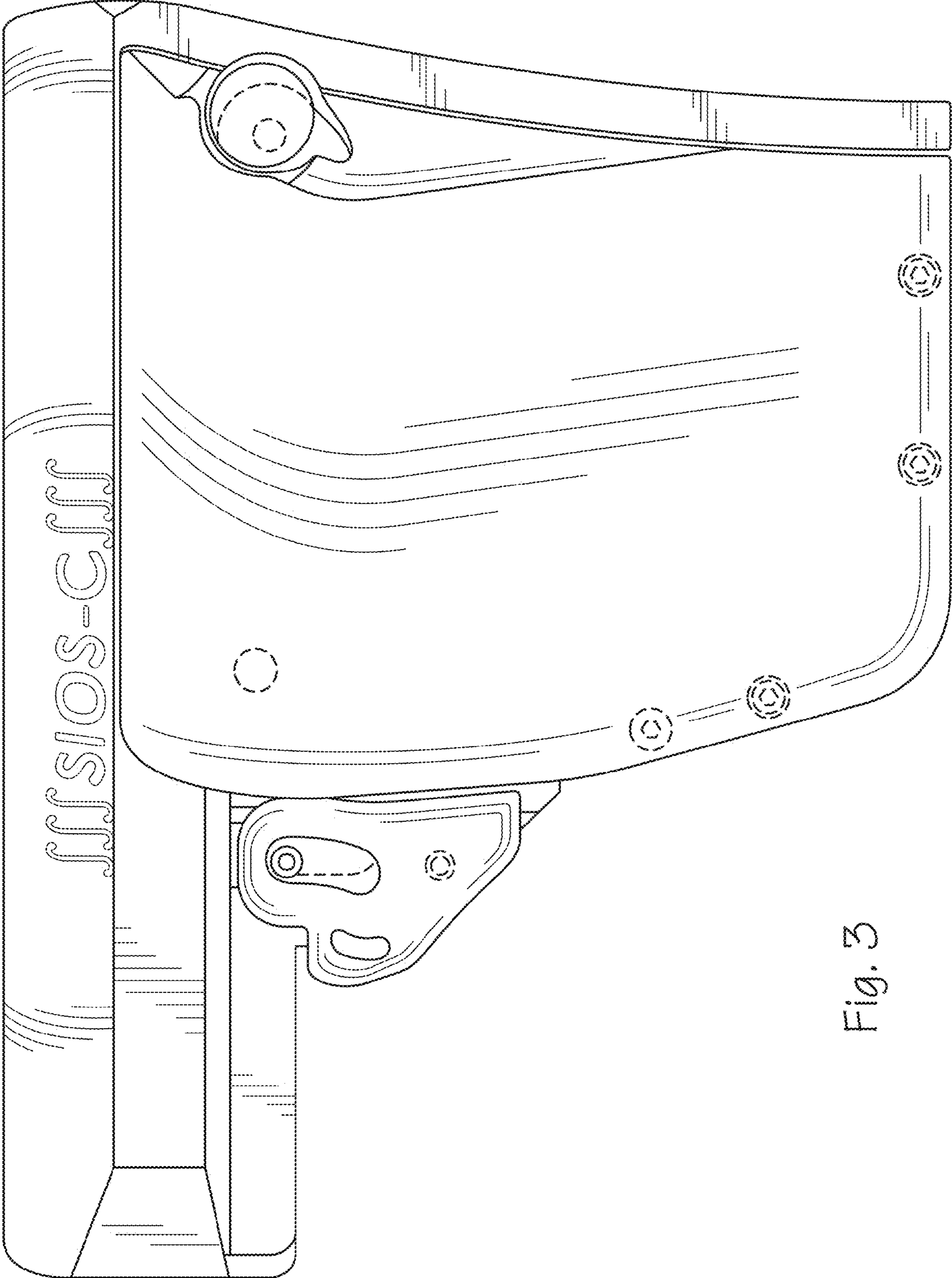


Fig. 3

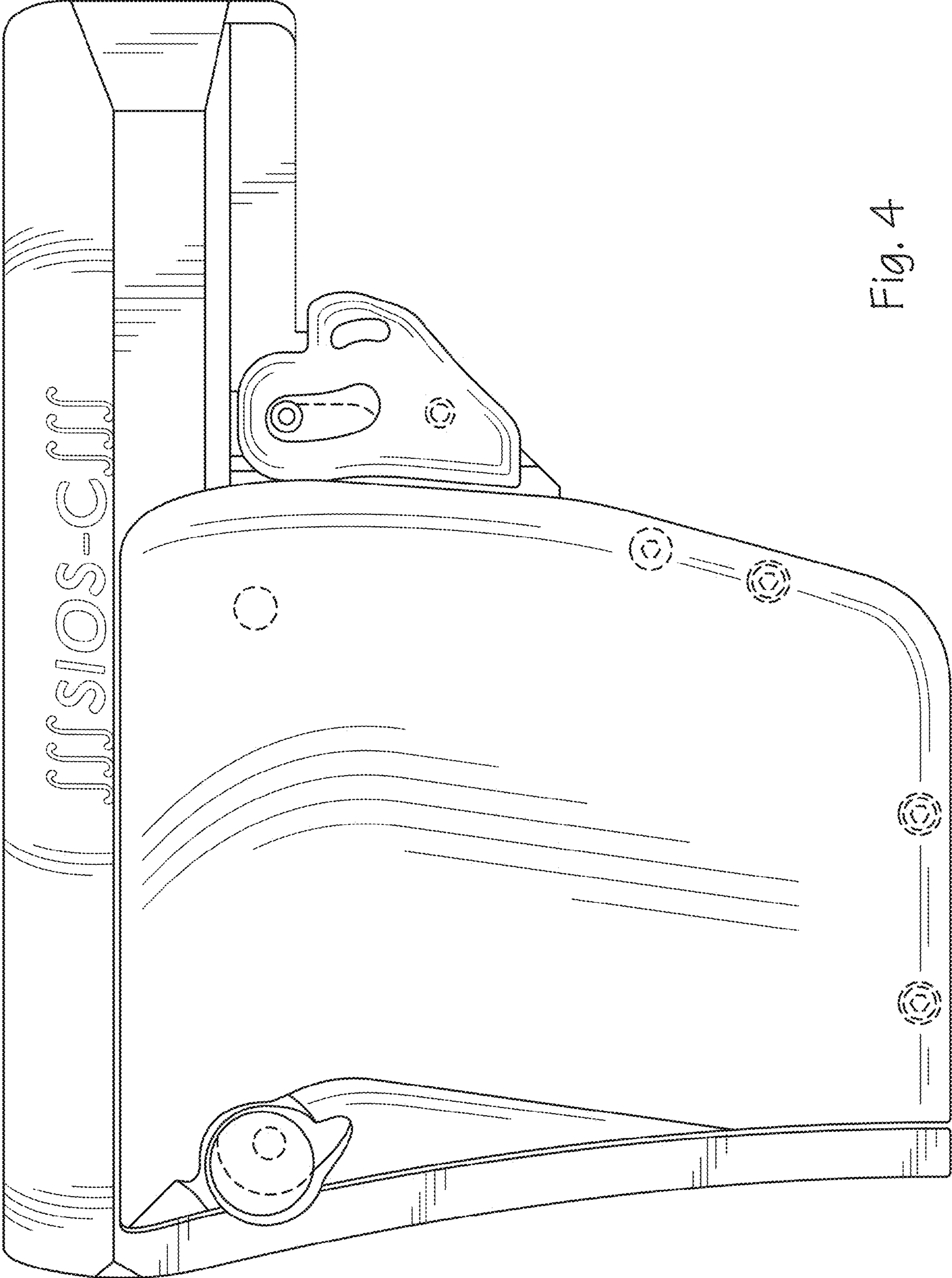


Fig. 4

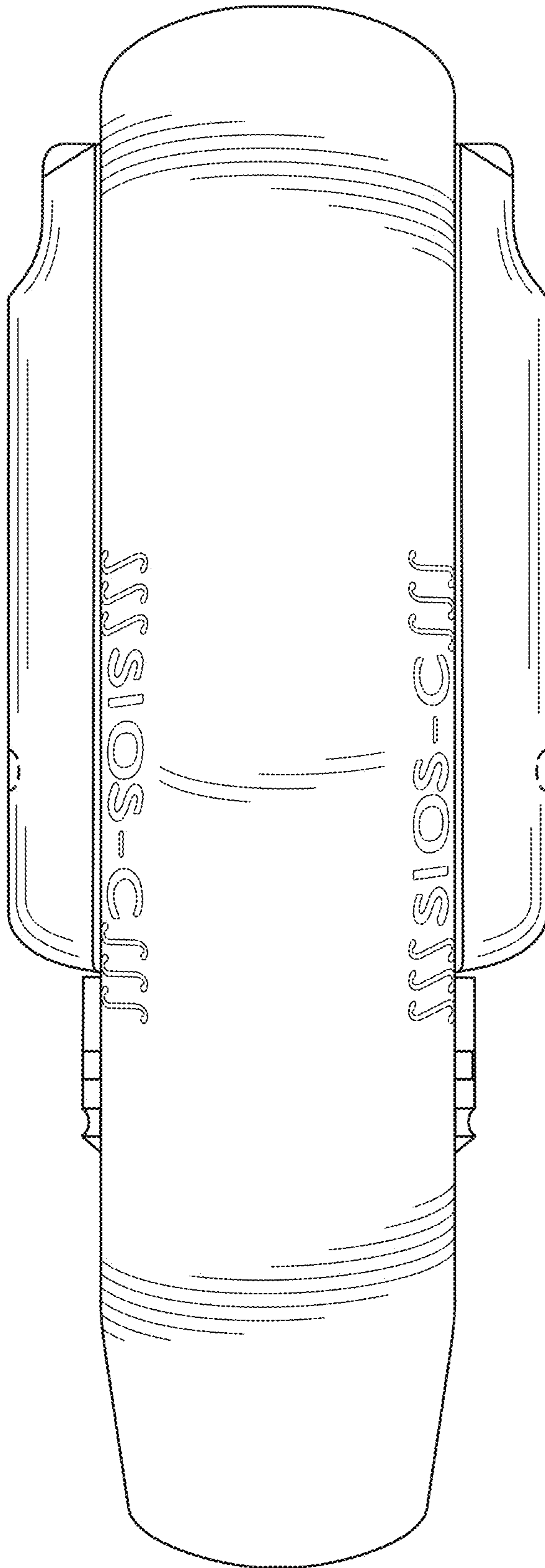


Fig. 5

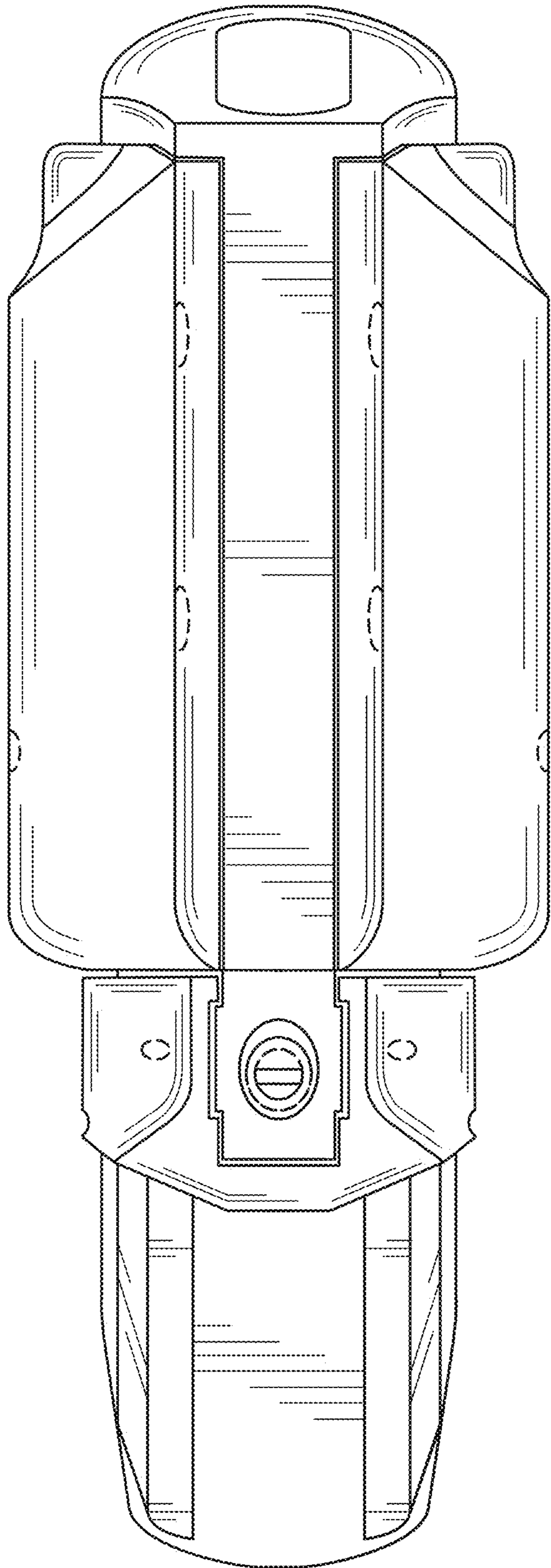


Fig. 6

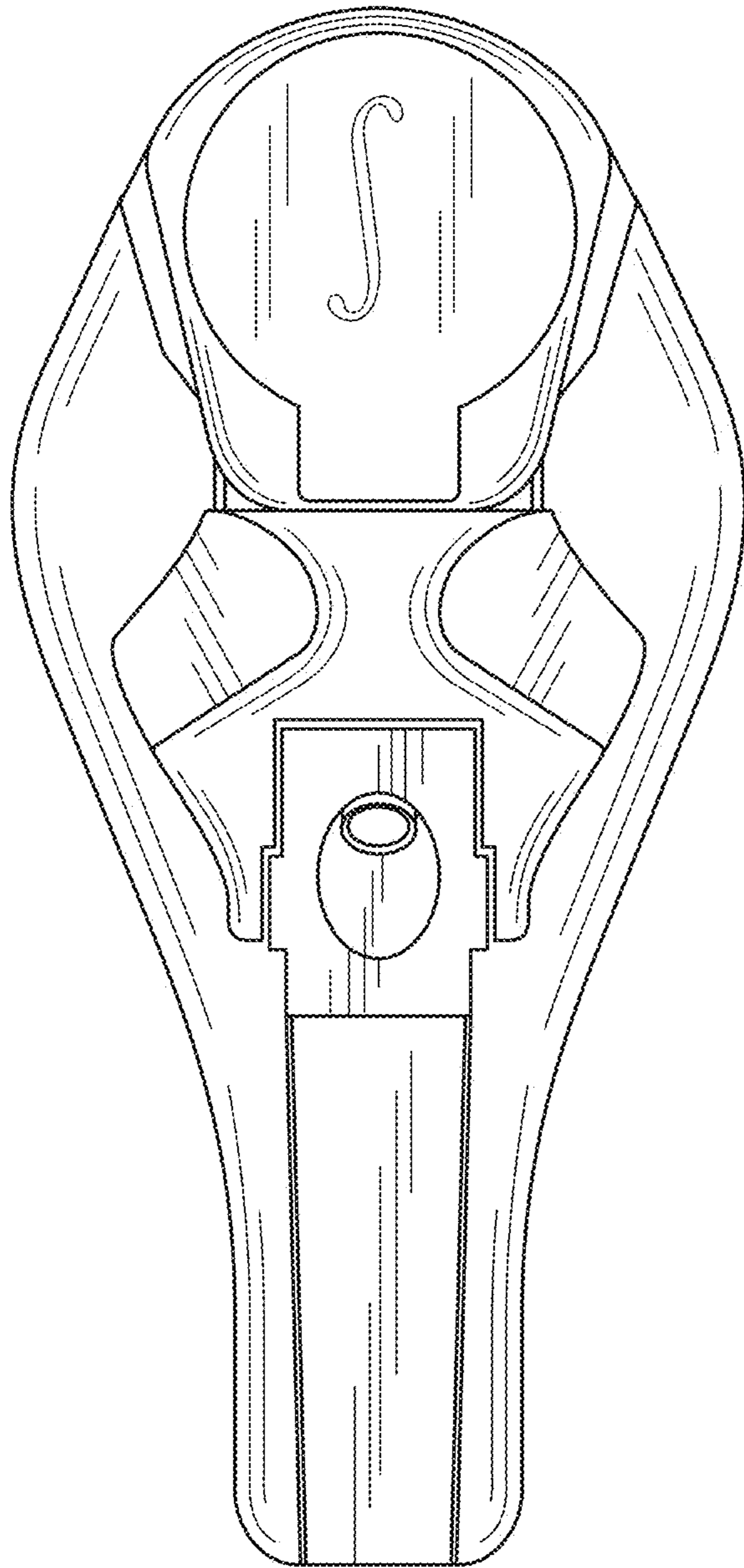


Fig. 7

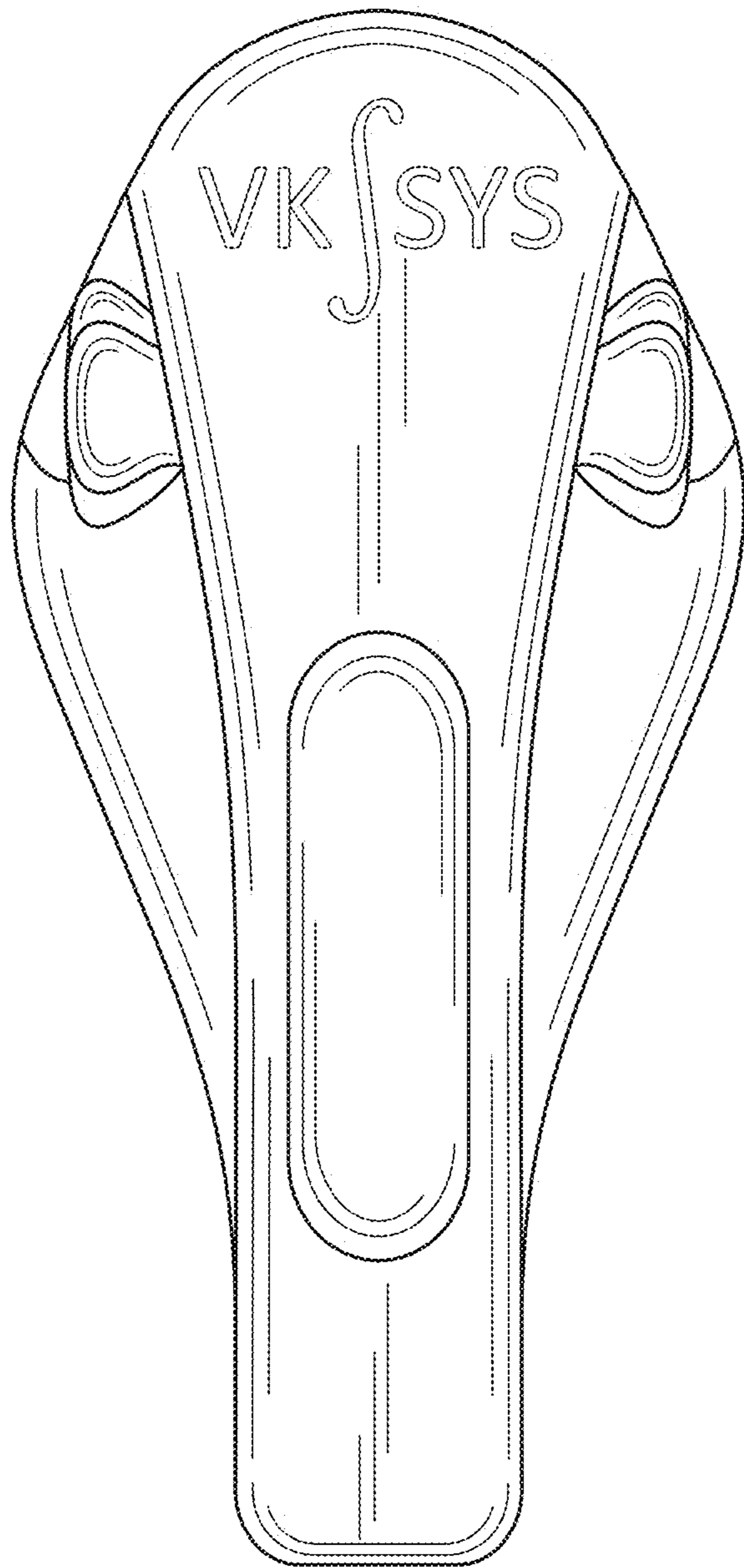


Fig. 8

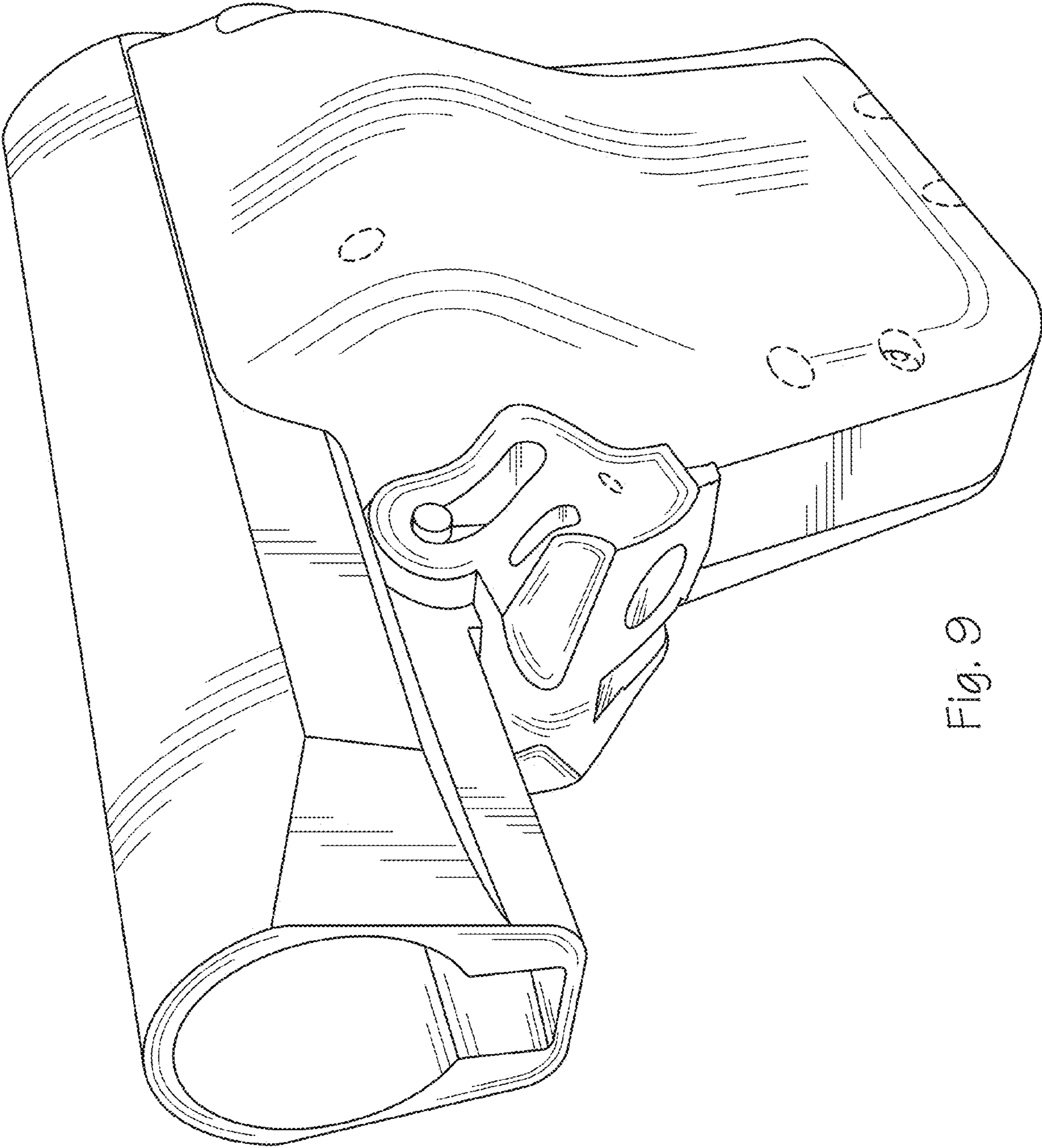


Fig. 9

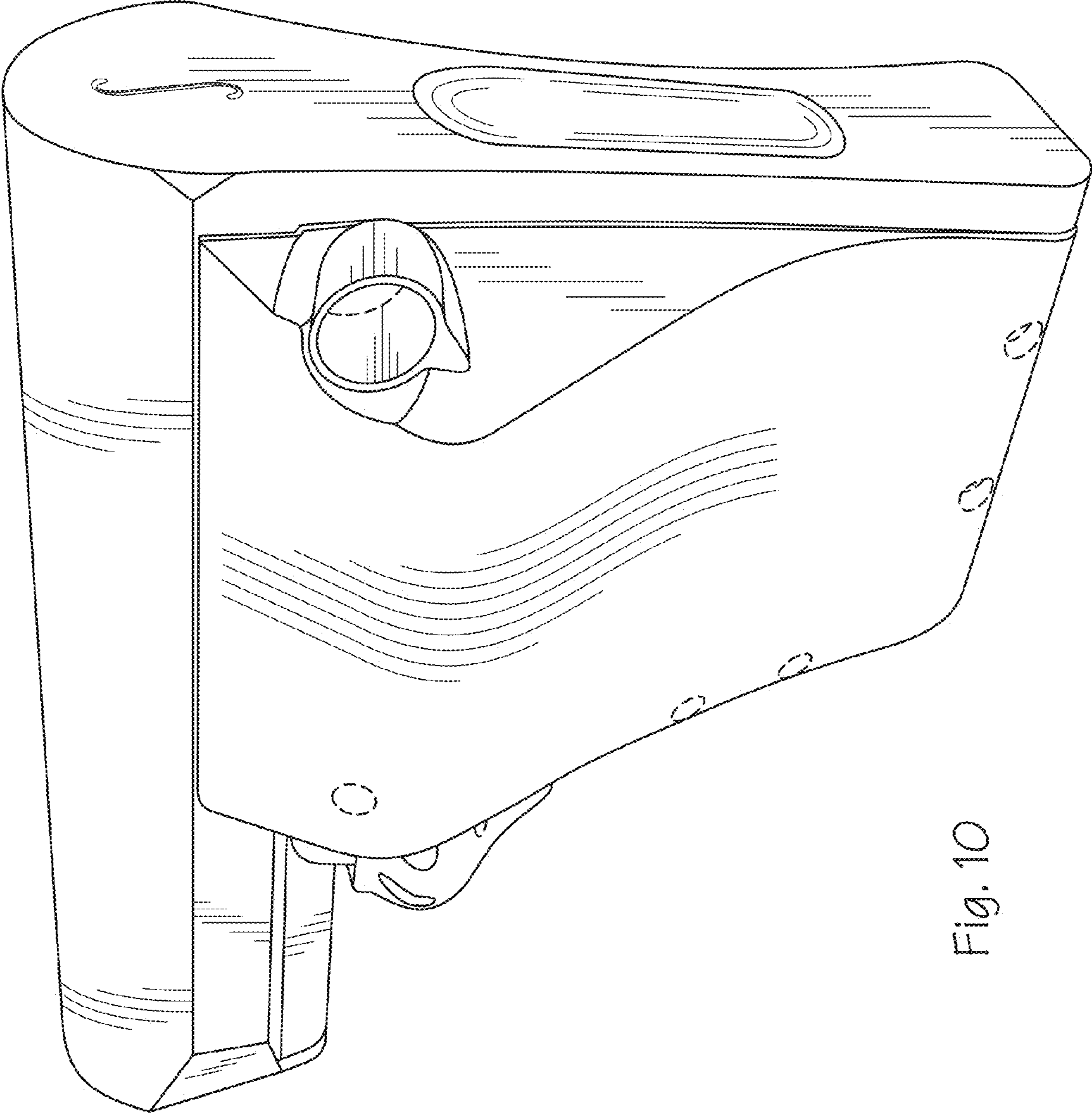


Fig. 10

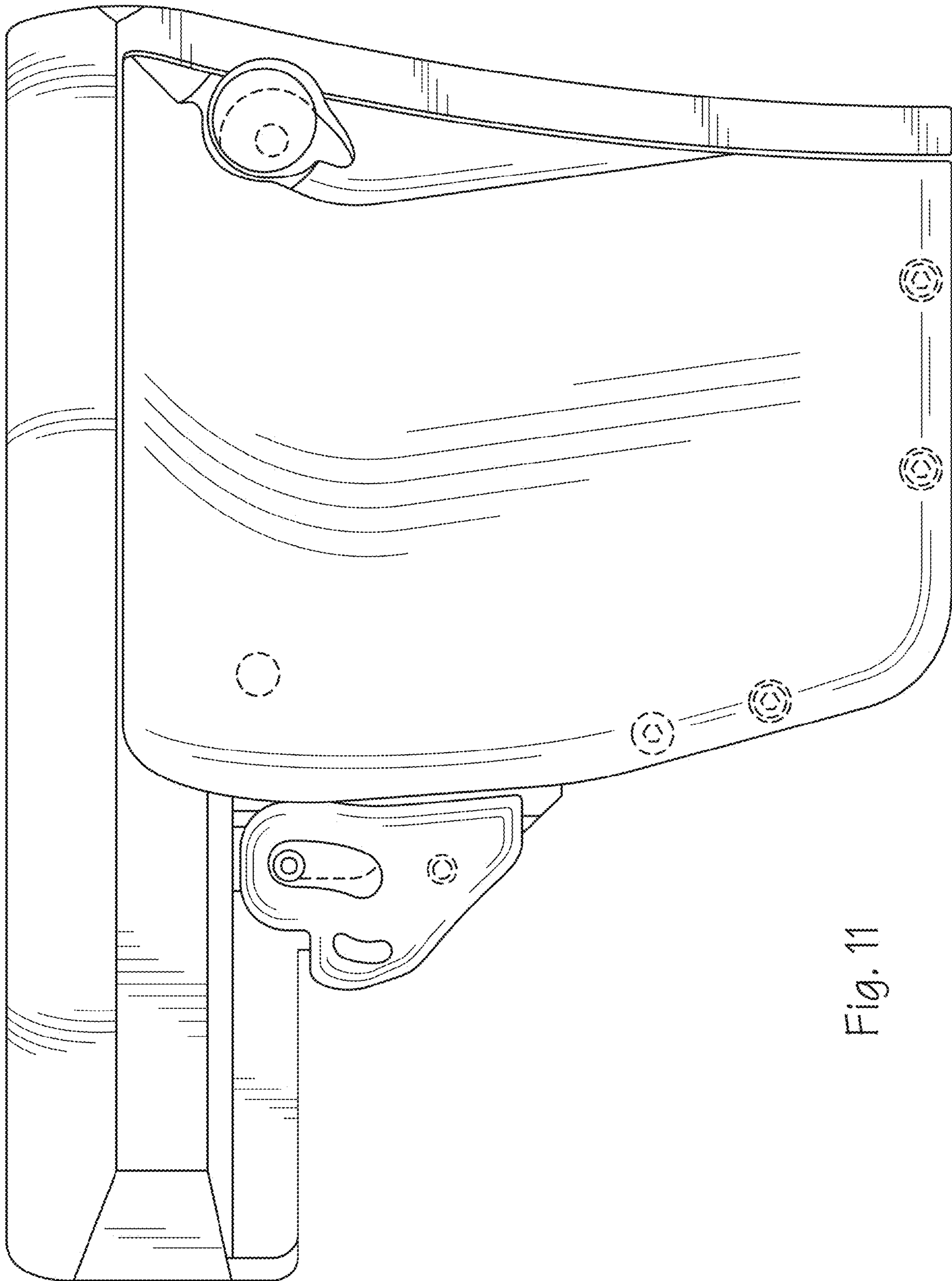


Fig. 11

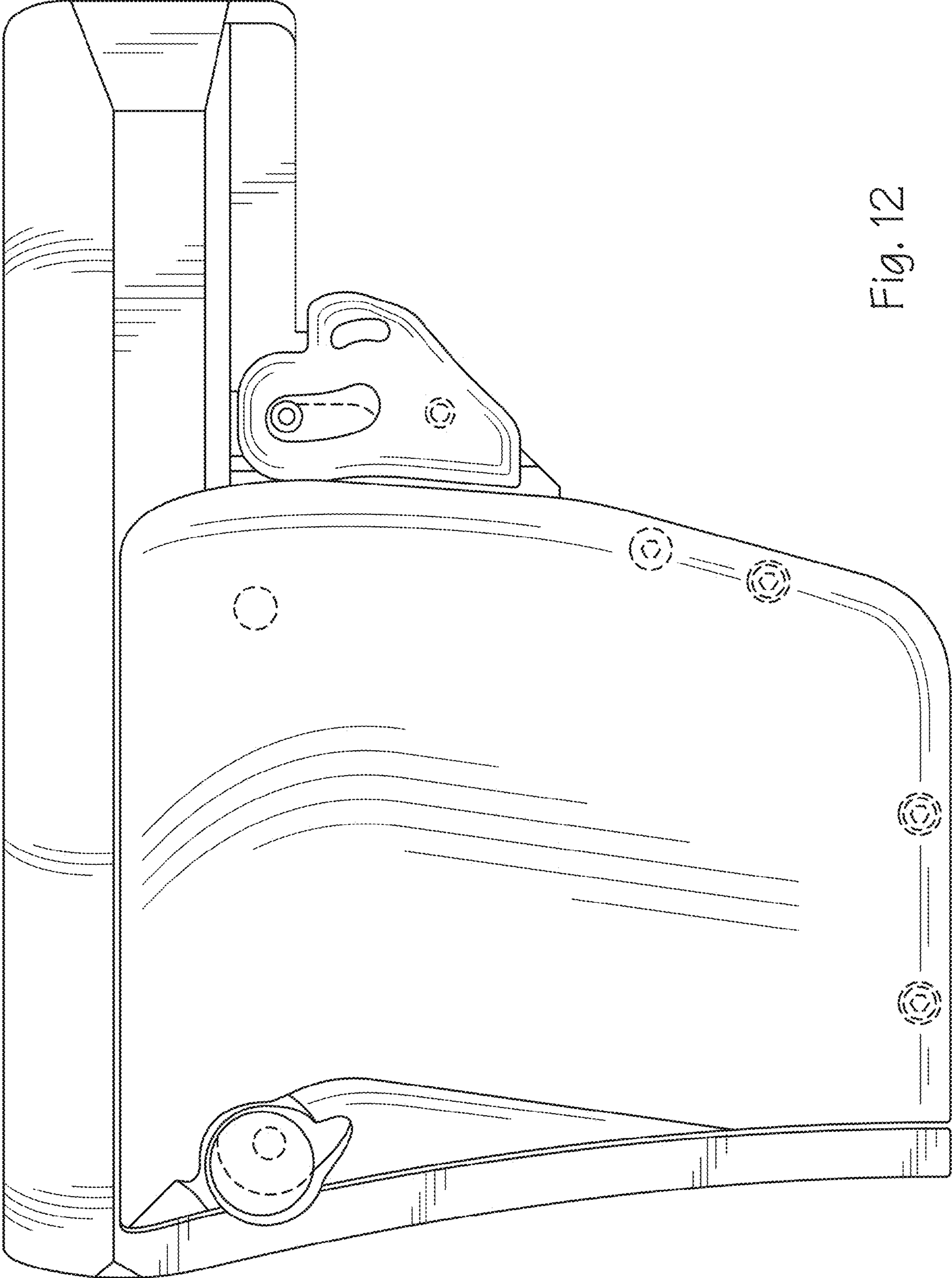


Fig. 12

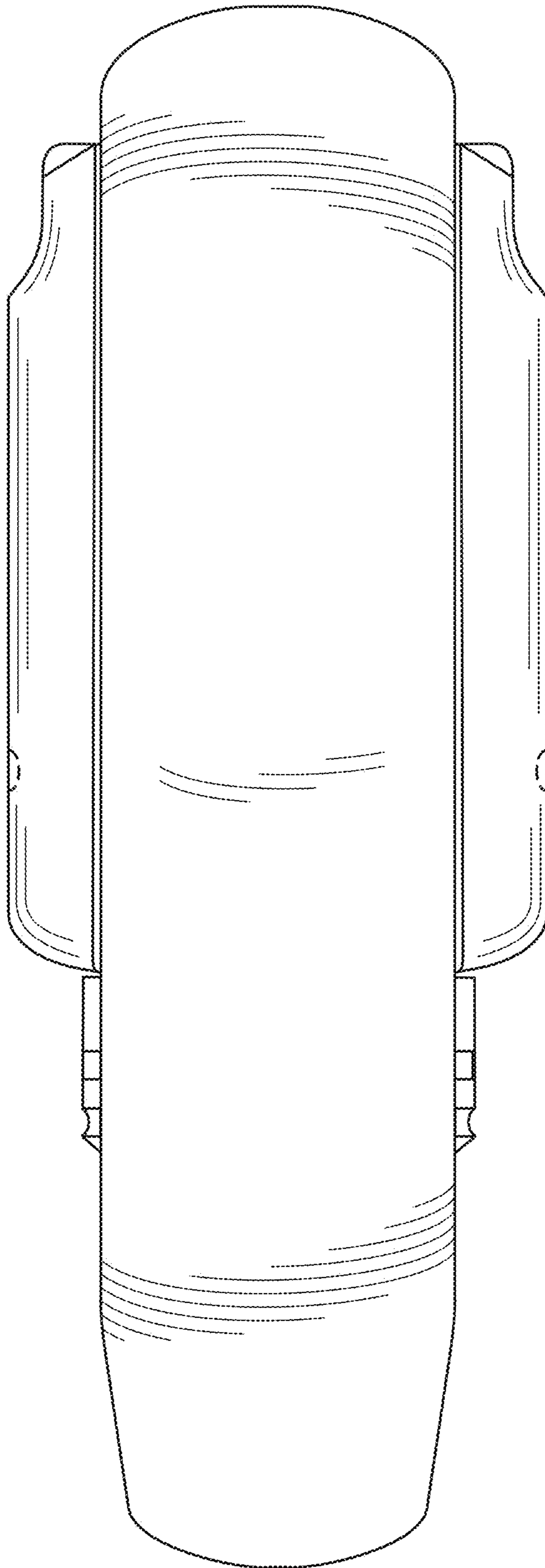


Fig. 13

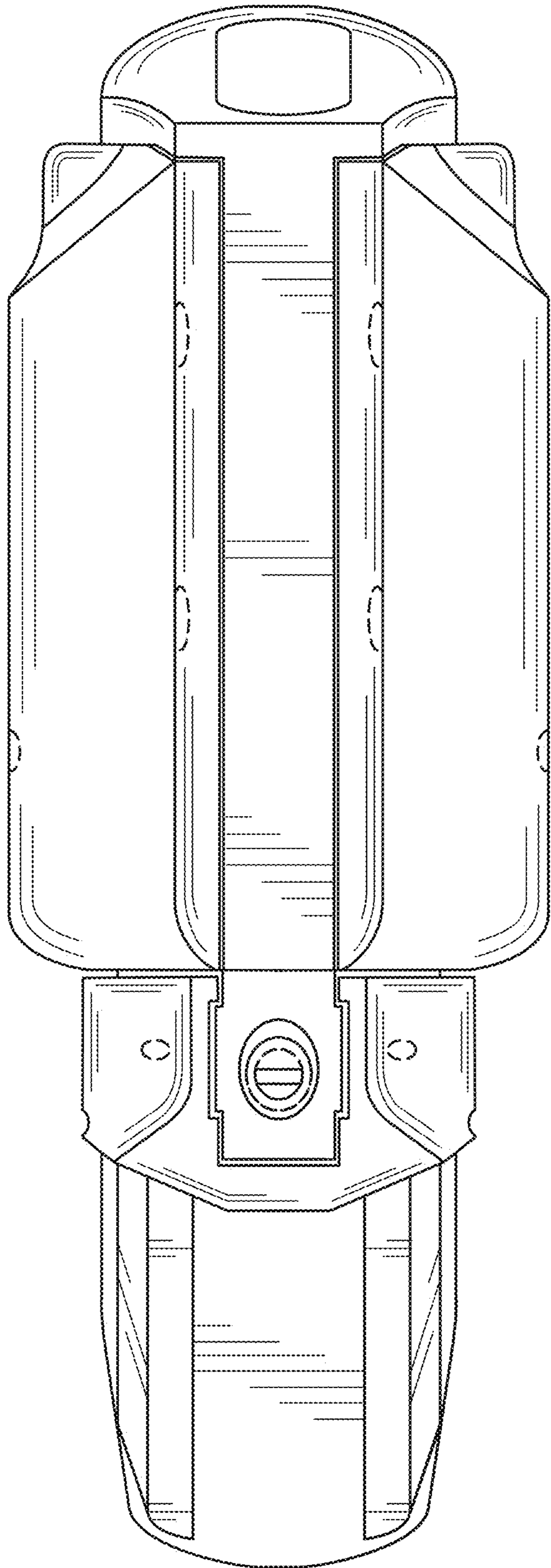


Fig. 14

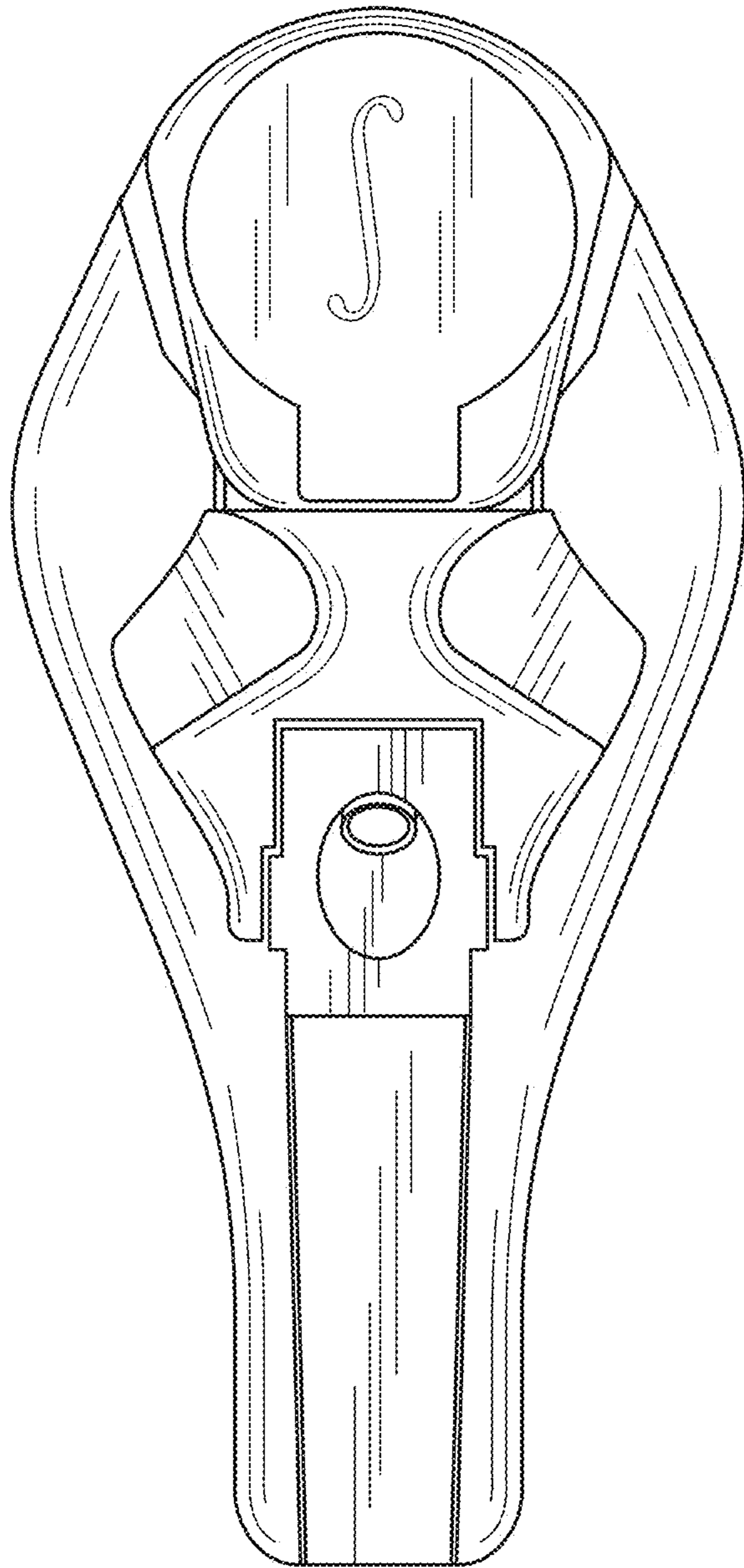


Fig. 15

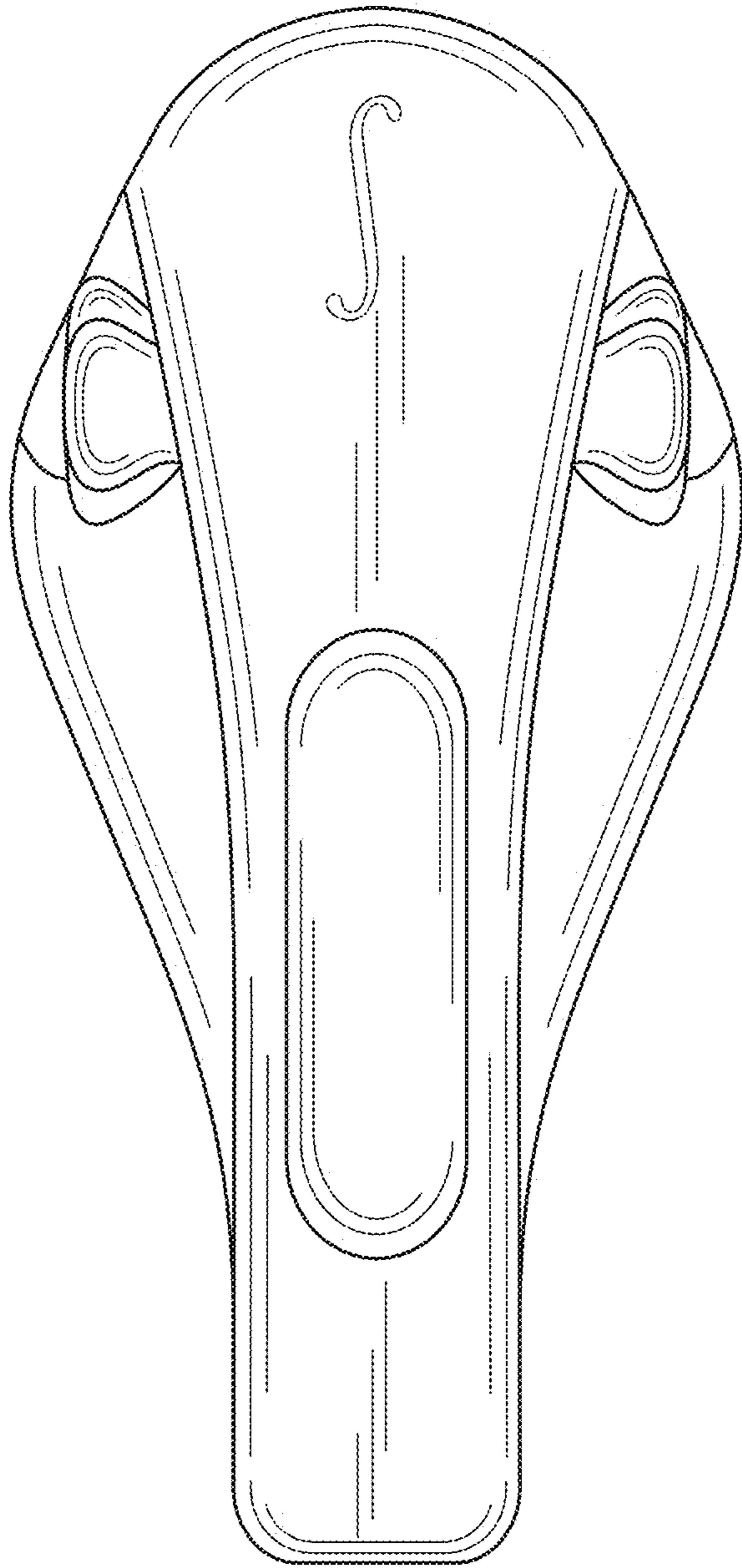


Fig. 16