



US00D892254S

(12) **United States Design Patent**
Angstadt et al.

(10) **Patent No.:** **US D892,254 S**

(45) **Date of Patent:** **** Aug. 4, 2020**

(54) **RAIL STOCK SYSTEM FOR FIREARMS**

D865,898 S * 11/2019 Windfeldt D22/108
2016/0305738 A1* 10/2016 Huang F41C 23/04

(71) Applicants: **Rich Adam Angstadt**, Charlotte, NC
(US); **Adam James Elias**, Raleigh, NC
(US)

* cited by examiner

Primary Examiner — Michael A. Pratt

(72) Inventors: **Rich Adam Angstadt**, Charlotte, NC
(US); **Adam James Elias**, Raleigh, NC
(US)

(74) *Attorney, Agent, or Firm* — Dunlap, Bennett &
Ludwig PLLC

(**) Term: **15 Years**

(57) **CLAIM**

The ornamental design for a rail stock system for firearms,
as shown and described.

(21) Appl. No.: **29/684,150**

DESCRIPTION

(22) Filed: **Mar. 19, 2019**

(51) **LOC (12) Cl.** **22-01**

(52) **U.S. Cl.**
USPC **D22/108**

(58) **Field of Classification Search**
USPC D22/108
CPC F41C 23/04; F41C 23/14; F41C 23/06;
F41C 23/22
See application file for complete search history.

FIG. 1 is a perspective view of a rail stock system for
firearms, showing our new design;
FIG. 2 is a front elevation view thereof;
FIG. 3 is a rear elevation view thereof;
FIG. 4 is a left-side elevation view thereof;
FIG. 5 is a right-side elevation view thereof;
FIG. 6 is a top plan view thereof;
FIG. 7 is a bottom plan view thereof; and,
FIG. 8 is a reduced perspective view of the rail stock system
for firearms, shown in use.

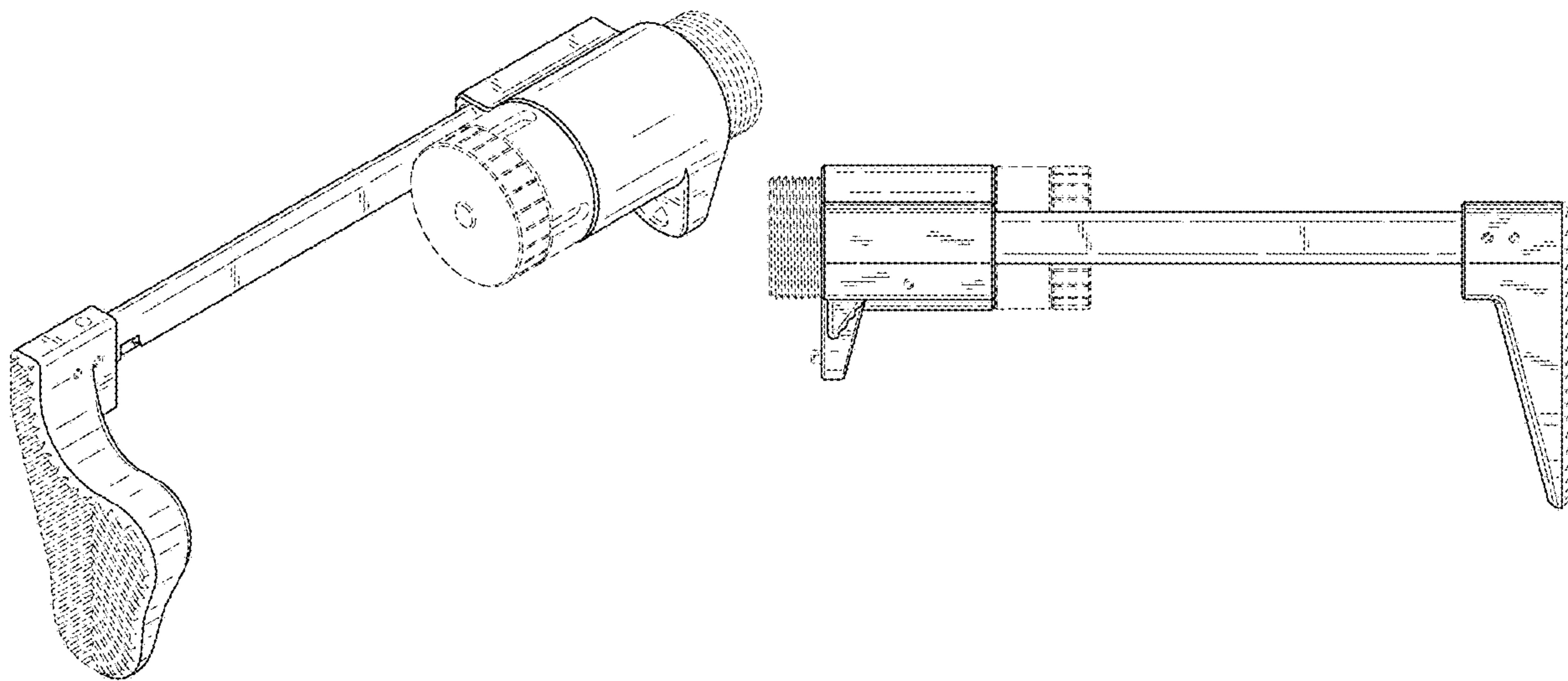
The broken lines showing a firearm in FIG. 8 depicts
environmental subject matter that forms no part of the
claimed design, while the remaining broken lines shown in
the drawings depict portions of the rail stock system for
firearms that form no part of the claimed design.

(56) **References Cited**

U.S. PATENT DOCUMENTS

D716,403 S * 10/2014 Burt D22/108
D810,225 S * 2/2018 Huang D22/108
10,060,699 B1 * 8/2018 Hu F41C 23/04
D847,933 S * 5/2019 Windfeldt D22/108

1 Claim, 4 Drawing Sheets



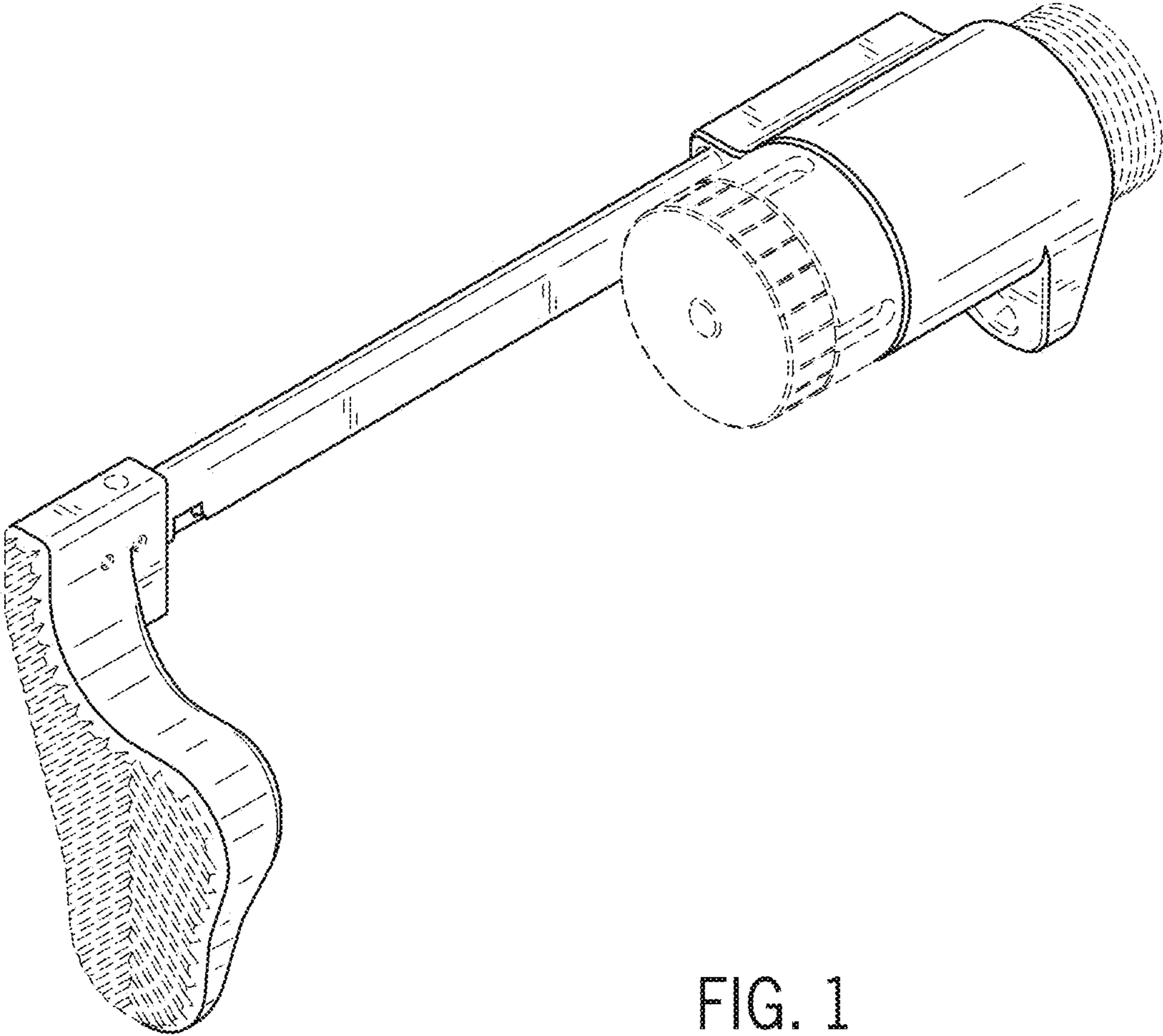


FIG. 1

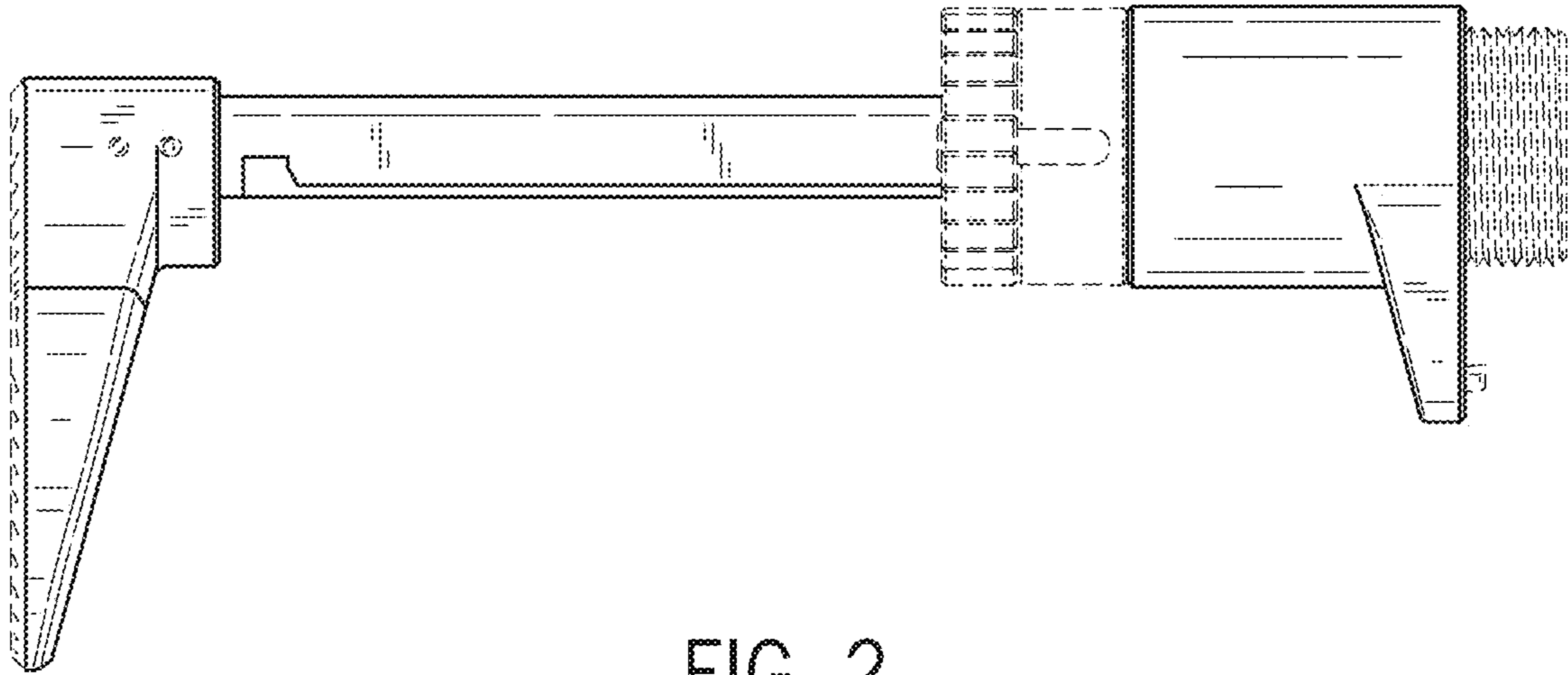


FIG. 2

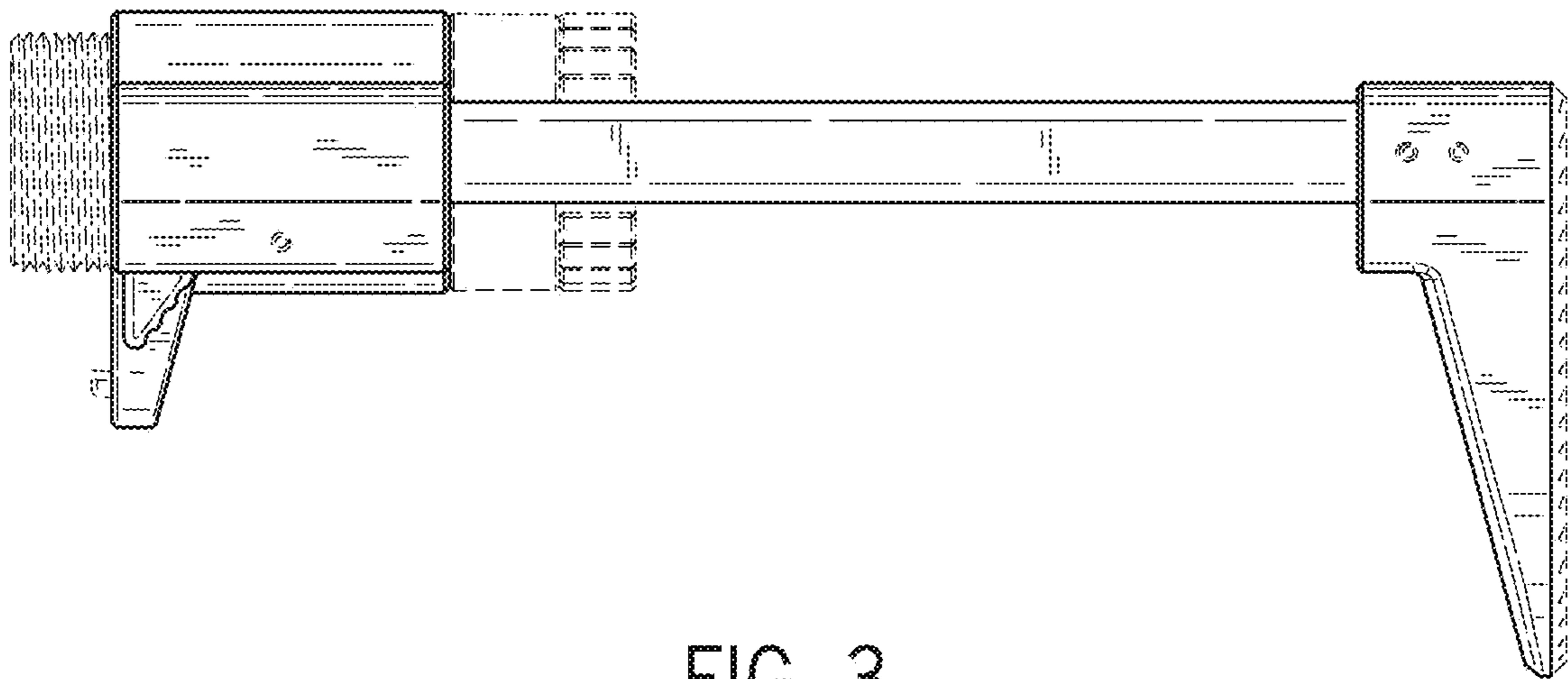


FIG. 3

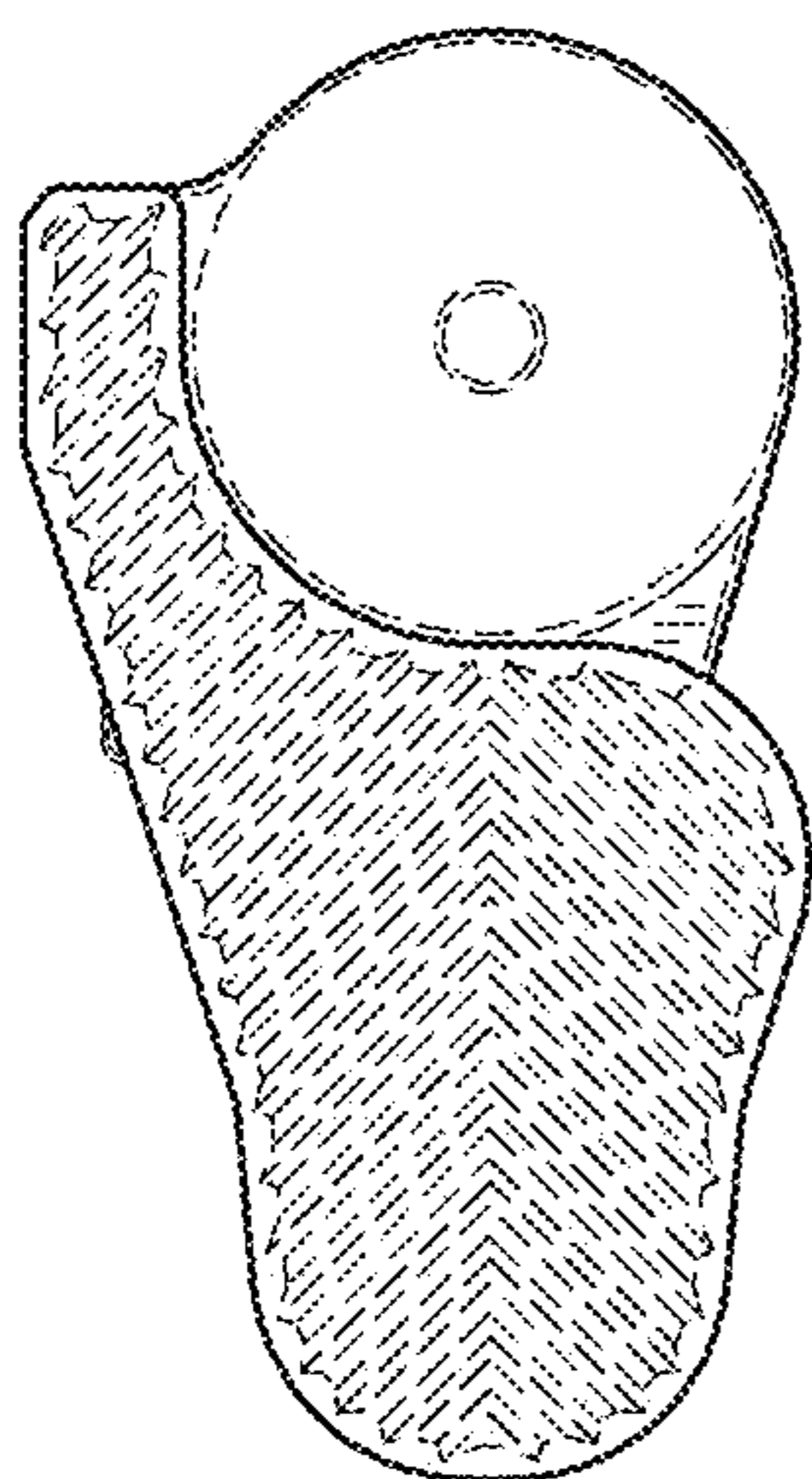


FIG. 4

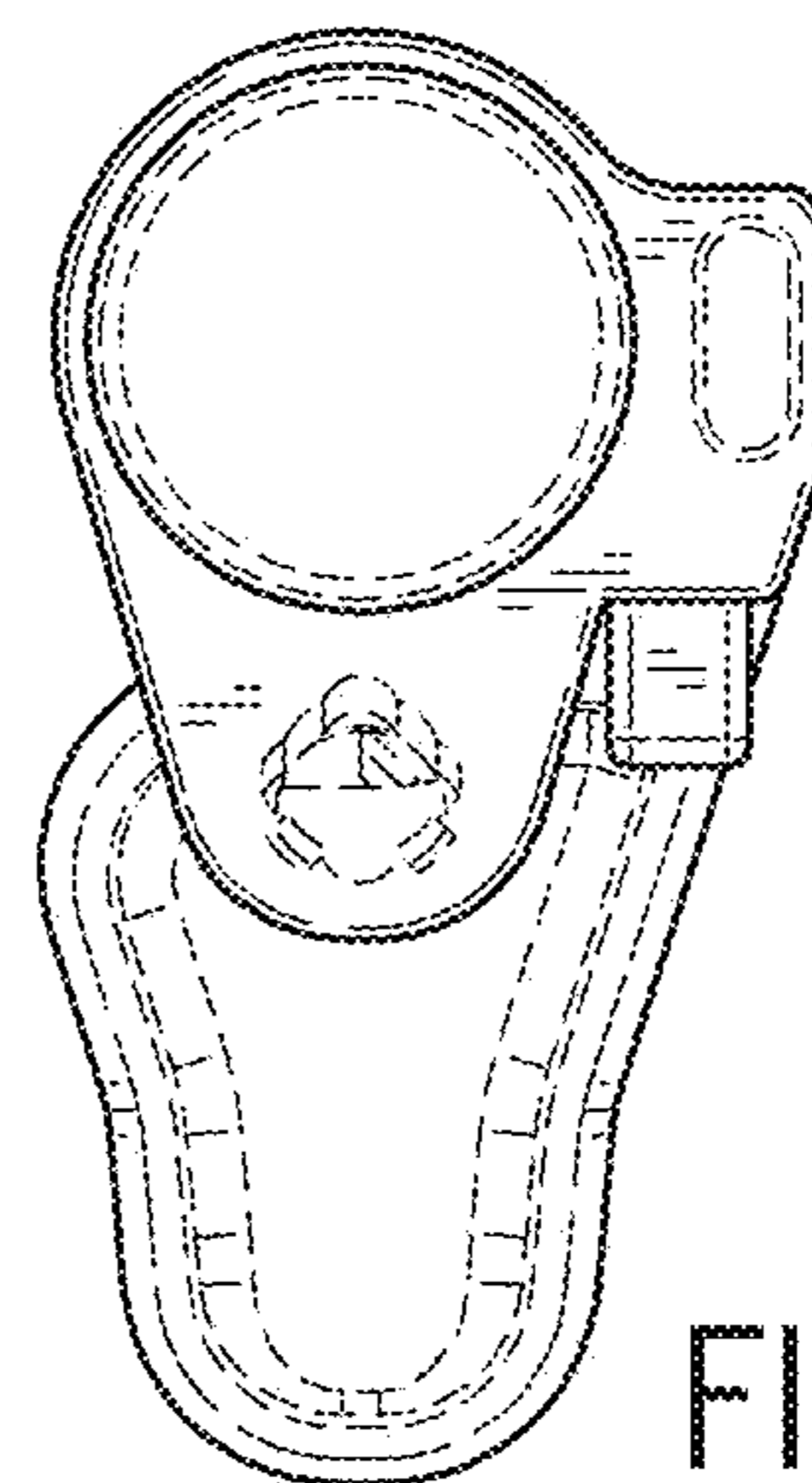


FIG. 5

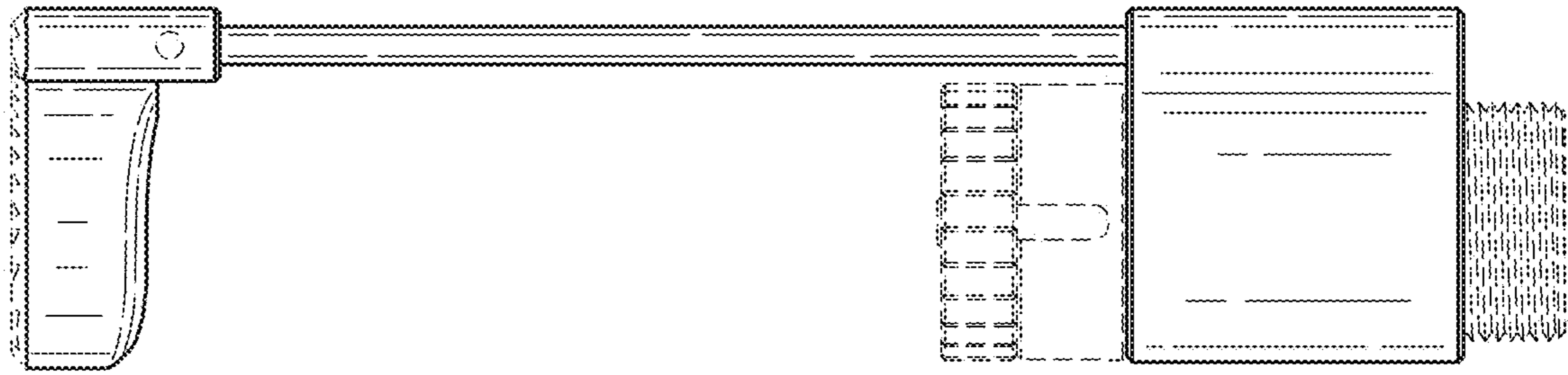


FIG. 6

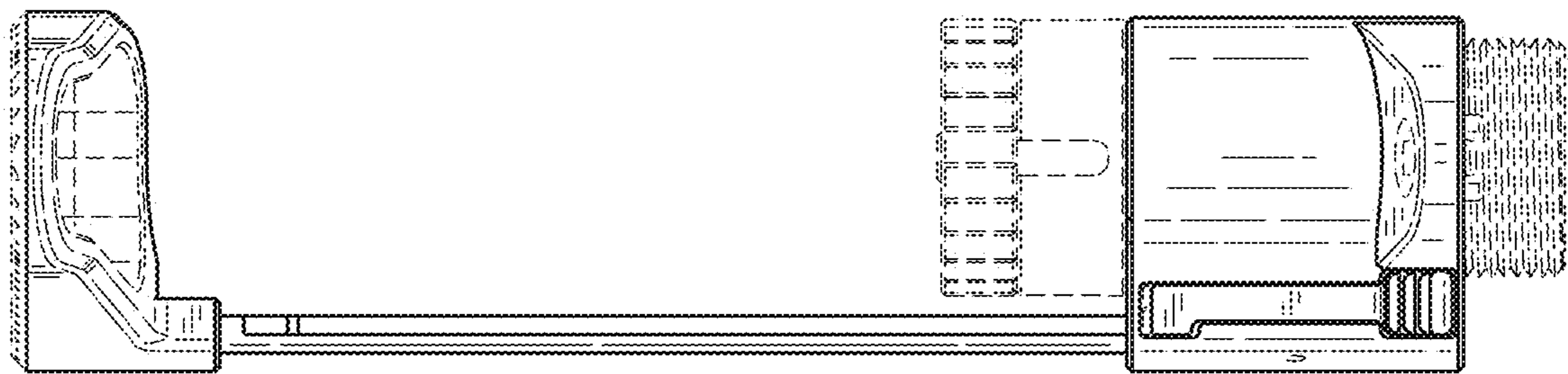


FIG. 7

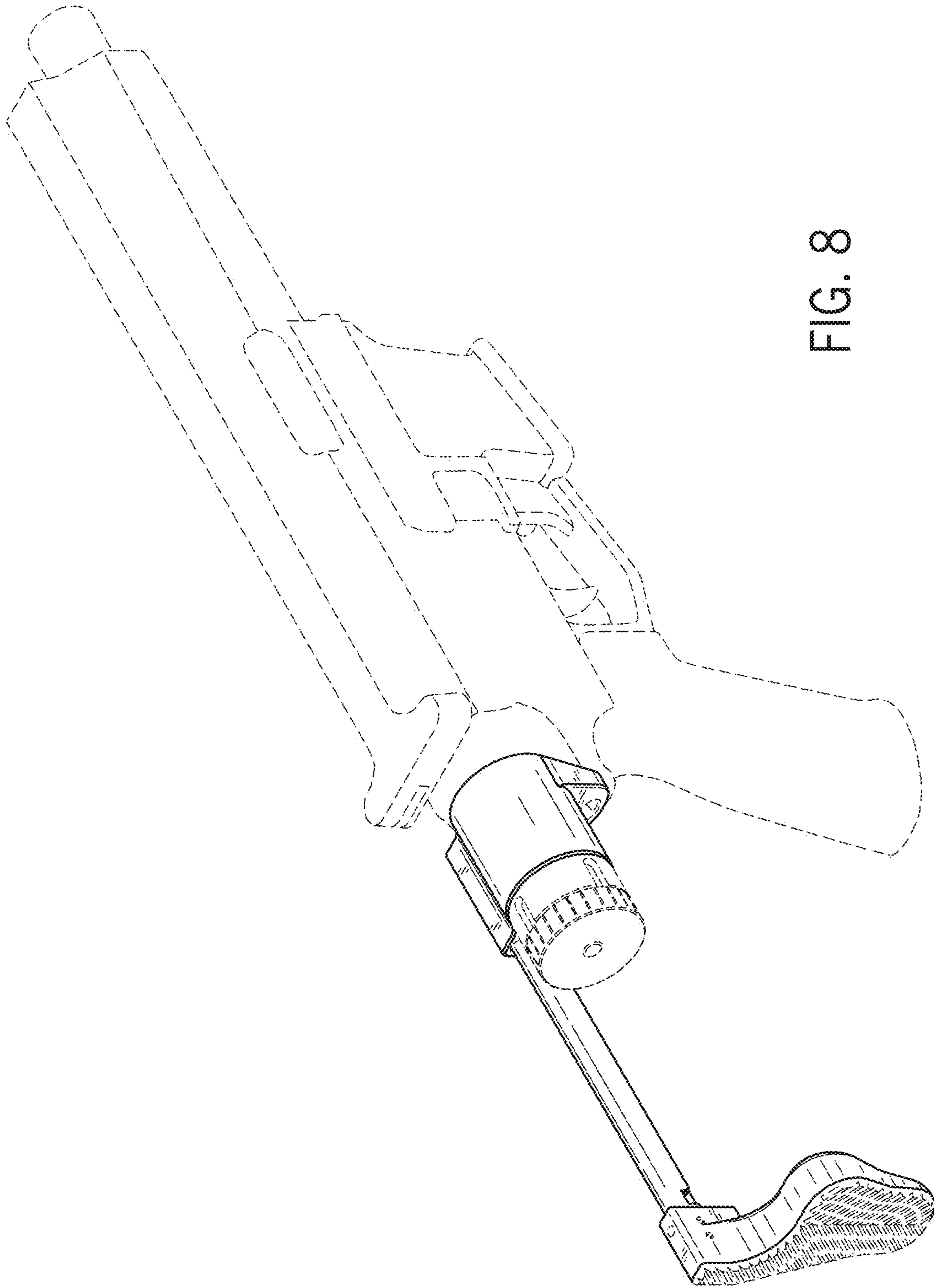


FIG. 8