



US00D892253S

(12) **United States Design Patent**
Kielsmeier

(10) **Patent No.:** **US D892,253 S**

(45) **Date of Patent:** **** Aug. 4, 2020**

(54) **MAGAZINE**

4,798,018 A 1/1989 Johansson
4,862,618 A 9/1989 Szabo
4,888,898 A 12/1989 Miller et al.

(Continued)

(71) Applicant: **Magpul Industries Corp.**, Austin, TX
(US)

(72) Inventor: **Nicholas Kielsmeier**, Denver, CO (US)

(73) Assignee: **Magpul Industries Corp.**, Austin, TX
(US)

(**) Term: **15 Years**

(21) Appl. No.: **29/670,233**

(22) Filed: **Nov. 14, 2018**

FOREIGN PATENT DOCUMENTS

EP 1568962 A1 8/2005
EP 1568962 B1 8/2007

(Continued)

OTHER PUBLICATIONS

Cooper, John, "Office Action Re U.S. Appl. No. 15/292,513", dated Dec. 14, 2016, p. 49, Published in: US.

(Continued)

Primary Examiner — Michael A. Pratt

(74) *Attorney, Agent, or Firm* — Neugeboren O'Dowd PC

Related U.S. Application Data

(60) Division of application No. 29/581,824, filed on Oct. 21, 2016, now Pat. No. Des. 838,333, which is a continuation of application No. 29/563,572, filed on May 5, 2016, now Pat. No. Des. 812,176.

(51) **LOC (12) Cl.** **22-01**

(52) **U.S. Cl.**
USPC **D22/108**

(58) **Field of Classification Search**
USPC D22/108
CPC F41A 9/70; F41A 9/65; F41A 9/71; F41A 9/68; F41A 9/69; F41A 11/02; F41A 9/61; F41A 9/00; F41A 9/17; F41A 9/23; F41A 9/34; F41A 9/84
See application file for complete search history.

CLAIM

The ornamental design for a magazine, as shown and described.

DESCRIPTION

FIG. 1 is a left, top, rear perspective view of an embodiment of a magazine showing our new design; FIG. 2 is a rear elevation view of the magazine of FIG. 1; FIG. 3 is a front elevation view of the magazine of FIG. 1; FIG. 4 is a left side elevation view of the magazine of FIG. 1; FIG. 5 is a right side elevation view of the magazine of FIG. 1; FIG. 6 is a top view of the magazine of FIG. 1; and, FIG. 7 is a bottom view of the magazine of FIG. 1. The shade lines in the Figures show contour and not surface ornamentation.

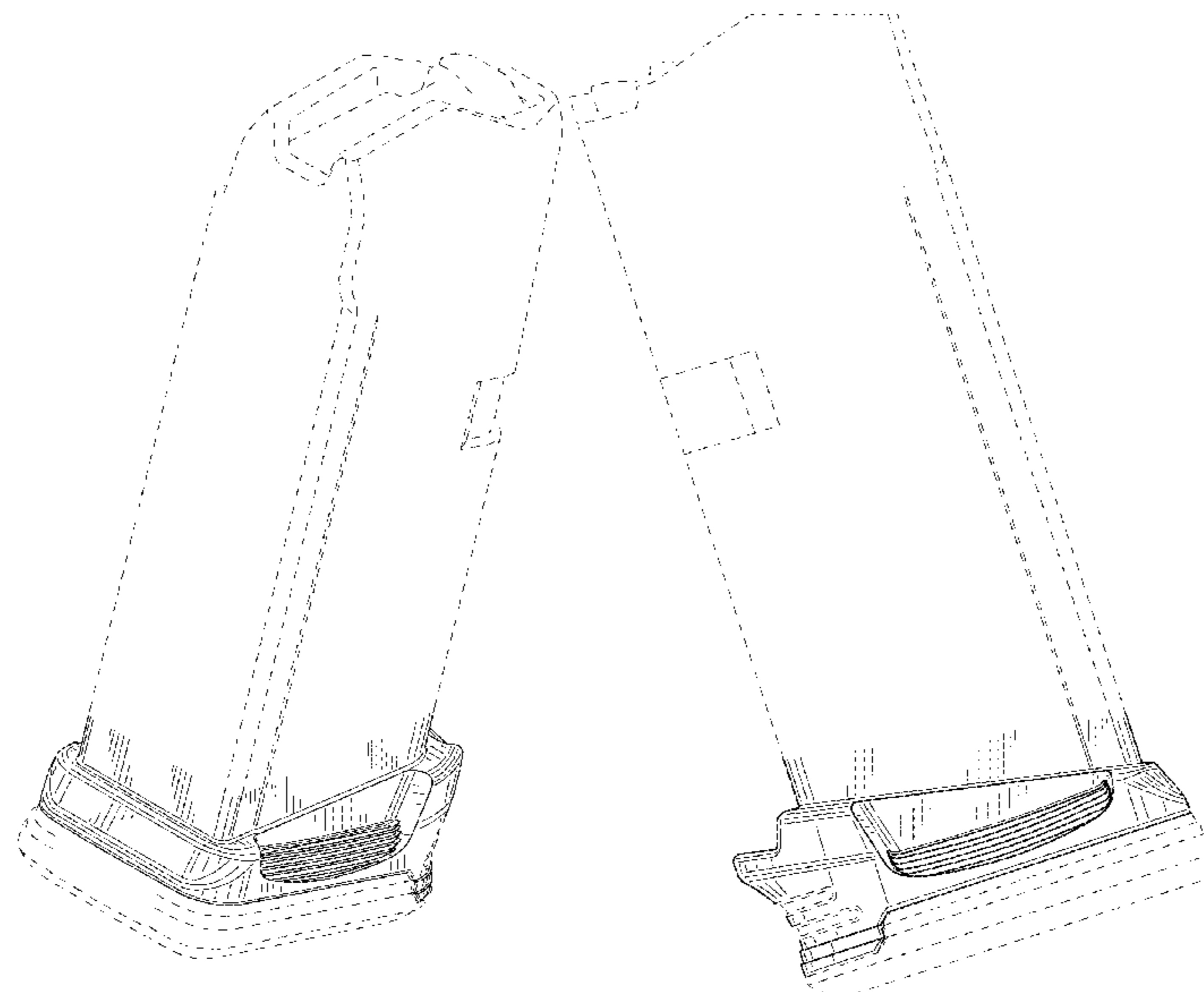
The broken lines showing portions of the design in all figures are included for the purpose of illustrating environment and unclaimed features and forms no part of the claimed design.

(56) **References Cited**

U.S. PATENT DOCUMENTS

1,245,499 A 11/1917 Orme
1,719,384 A 7/1929 Tansley
4,107,862 A 8/1978 Sofinowski, III
4,539,889 A 9/1985 Glock
4,766,800 A 8/1988 Miller et al.

1 Claim, 6 Drawing Sheets



(56)

References Cited

U.S. PATENT DOCUMENTS

5,168,648 A 12/1992 Brandl et al.
D344,780 S * 3/1994 Jenkins D22/108
5,357,703 A 10/1994 Chestnut et al.
5,438,783 A 8/1995 Sniezak et al.
D362,044 S * 9/1995 Sniezak D22/100
5,461,811 A 10/1995 Ciener
5,495,687 A 3/1996 Waiser
5,561,933 A 10/1996 Czekalski
D376,187 S 12/1996 Haber
5,584,136 A 12/1996 Boland
5,615,505 A 4/1997 Vaid
5,651,204 A 7/1997 Hulsey et al.
5,666,752 A 9/1997 Grams
5,755,052 A 5/1998 Keeney
D401,992 S * 12/1998 Pearce D22/108
5,845,426 A 12/1998 Valorose
6,055,758 A 5/2000 Vieweg
6,557,287 B2 5/2003 Wollmann
6,568,115 B2 5/2003 Beretta
D487,790 S 3/2004 Freed
D487,791 S 3/2004 Freed
6,736,125 B2 * 5/2004 Petrosyan F41B 11/55
124/51.1
D493,861 S * 8/2004 Rauch D22/108
6,796,300 B2 9/2004 Petrosyan
6,928,764 B2 8/2005 Freed
7,069,683 B1 7/2006 Kapusta
7,093,386 B1 8/2006 Vieweg
7,117,622 B2 10/2006 Freed et al.
7,200,963 B1 4/2007 Vieweg
7,200,964 B2 4/2007 Gates
7,237,354 B1 6/2007 Conner
7,318,294 B2 1/2008 Zimmermann
7,373,751 B1 * 5/2008 Schaffer F41A 9/59
42/50
D593,633 S 6/2009 Fitzpatrick et al.
D593,635 S 6/2009 Fitzpatrick et al.
7,779,571 B1 8/2010 Roth
7,797,871 B2 9/2010 Bubits
D632,752 S 2/2011 Fitzpatrick et al.
7,908,780 B2 3/2011 Fitzpatrick et al.
D644,291 S 8/2011 Faifer
8,006,423 B1 8/2011 Alzamora et al.
D647,589 S 10/2011 Rogers et al.
8,028,455 B1 10/2011 Battaglia
8,042,297 B2 10/2011 Emde
8,069,601 B1 12/2011 Fitzpatrick et al.
8,322,063 B1 12/2012 Battaglia
D680,613 S * 4/2013 Fitzpatrick D22/108
8,484,875 B2 7/2013 Heath
8,561,334 B2 10/2013 Metzger
8,607,489 B1 12/2013 Calvert
8,646,200 B2 2/2014 Rendulic
8,671,606 B2 3/2014 Plataniotis et al.
8,689,475 B2 4/2014 Battaglia
8,713,835 B1 5/2014 Calvert
8,752,317 B1 6/2014 Calvert
8,752,318 B2 6/2014 Pulit, Jr.
8,863,422 B2 10/2014 Ballard
D716,903 S 11/2014 Larmer et al.
8,919,022 B2 12/2014 Chewning et al.
8,943,727 B2 2/2015 Russell
D726,279 S 4/2015 Stedman
D727,456 S 4/2015 Schefter et al.
9,062,924 B2 6/2015 Mock et al.
D735,831 S 8/2015 Faifer
D738,454 S 9/2015 Smith
D739,490 S 9/2015 Iannello et al.
9,170,062 B2 10/2015 Corso
D745,944 S * 12/2015 Kielsmeier D22/108
9,207,028 B1 12/2015 Mock et al.
9,228,788 B1 1/2016 Simon et al.
D757,884 S * 5/2016 Kielsmeier D22/108
D769,397 S * 10/2016 Lam D22/108
D783,111 S * 4/2017 Hillis D22/108

D810,223 S * 2/2018 Kielsmeier D22/108
D812,176 S * 3/2018 Kielsmeier D22/108
D873,371 S * 1/2020 Kielsmeier D22/108
2001/0037596 A1 11/2001 Salvitti
2002/0029506 A1 3/2002 Wollmann
2004/0031181 A1 2/2004 Freed
2004/0148838 A1 8/2004 Conner
2004/0154207 A1 8/2004 Conner
2005/0011097 A1 1/2005 Freed et al.
2008/0028661 A1 2/2008 Bubits
2008/0196290 A1 8/2008 Bubits et al.
2008/0313946 A1 12/2008 Gruber et al.
2010/0251590 A1 10/2010 Fitzpatrick et al.
2010/0299986 A1 12/2010 Emde
2011/0005113 A1 1/2011 Fitzpatrick et al.
2011/0030259 A1 2/2011 Castro et al.
2012/0227300 A1 9/2012 Seeley et al.
2013/0019511 A1 1/2013 Plataniotis et al.
2013/0139426 A1 6/2013 Baxley
2013/0180146 A1 7/2013 Fitzpatrick et al.
2013/0227870 A1 9/2013 Rendulic
2014/0075810 A1 3/2014 Mikroulis
2014/0150315 A1 6/2014 Russell
2015/0000170 A1 1/2015 Lee
2015/0075049 A1 3/2015 Klarborg
2015/0075050 A1 3/2015 Hayes et al.
2015/0121736 A1 5/2015 Faifer
2015/0192377 A1 7/2015 Larson, Jr.
2015/0241151 A1 8/2015 Luebke
2015/0241162 A1 8/2015 Geraghty et al.
2015/0292826 A1 10/2015 Kielsmeier et al.
2015/0308767 A1 10/2015 Mikroulis
2015/0316340 A1 11/2015 Ladner
2016/0025436 A1 1/2016 Higley
2017/0191771 A1 * 7/2017 Zimmer F41A 9/62

FOREIGN PATENT DOCUMENTS

EP 2646767 A1 10/2013
WO 0206749 A1 1/2002
WO 2005075929 A3 8/2005
WO 2009000973 A3 4/2009
WO 2012073052 A1 6/2012
WO 2013086416 A1 6/2013
WO 2015030695 A1 3/2015

OTHER PUBLICATIONS

Askari-Farahani, Layla, "Canadian Office Action Re Application No. 167723", dated Nov. 1, 2016, p. 10, Published in: CA.
Dekleine, Geoffrey, "Response to Canadian Office Action Re Application No. 167723", dated Nov. 14, 2016, p. 2, Published in: CA.
The Israeli Patent Office, "Israeli Office Action Re Application No. 59353", dated Nov. 2, 2016, p. 3, Published in: IL.
The Israeli Patent Office, "Israeli Office Action Re Application No. 58328", dated Nov. 2, 2016, p. 4, Published in: IL.
Reinhold Cohn IP Attorneys, "Response to Israel Office Action Re Application No. 58328", dated Nov. 30, 2016, p. 10, Published in: IL.
Glock Perfection, "Glock 17", Known to exist as early as Jan. 29, 2015, p. 4, Retrieved from <http://us.glock.com/products/model/g17>, Published in: US.
Midway USA, "Glock Magazine Gen 4 Glock 26 9mm Luger Polymer Black", Known to exist as early as Feb. 25, 2010, p. 1, Retrieved from <http://www.midwayusa.com/product/930397818/glock-magazine-gen-4-glock-26-9mm-luger-polymer-black#pr-header-back-to-top-link>.
Lenny McGill's Glock Store, "High Capacity Glock Factory Magazines", Known to exist as early as Jan. 29, 2015, p. 3, Retrieved from <http://www.glockstore.com/glock-factory-magazines/standard-glock-factory-magazines>.
Lenny McGill's Glock Store, "Glock Mag Floor Plate", Known to exist as early as Jan. 29, 2015, p. 2, Retrieved from <http://www.glockstore.com/glock-mag-floor-plate-9-40-357-45gap>.

(56)

References Cited

OTHER PUBLICATIONS

Glockstore Performance Center, "Glock Factory Magazine 4 Packs", Known to exist as early as Jan. 29, 2015, p. 2, Retrieved from <http://www.glockstore.com/glock-factory-magazines/glock-factory-magazine-4-packs>, Published in: US.

KCI Magazines, "KCI Glock 17—9MM 17 Round Magazine", Known to exist as early as Jan. 29, 2015, p. 2, Retrieved from <http://www.kcimags.com/kci-glock-17-9mm-17-round-magazine/>.

KCI Magazines, "KCI Glock 19—9MM 15 Round Magazine", Oct. 21, 2015, p. 2, Retrieved from <http://www.kcimags.com/kci-glock-19-9mm-15-round-magazine/>.

Magpul Industries, Corp., "PMAG 15 GL9—Glock GL9", Retrieved from <https://www.magpul.com/products/pmag-15-gl9>, Apr. 9, 2015, p. 6.

Magpul Industries, Corp., "PMAG 17 GK9—Glock G17", Retrieved from <https://www.magpul.com/products/pmag-17-gl9>, Jan. 15, 2015, p. 6.

Promag Industries, "GLK-A9-Glock 17/19/26 9MM 17 Round Polymer Magazine", Known to exist Oct. 2015, p. 5, Retrieved from <https://promagindustries.com/glock/151-glock-17-19-26-9mm-17rd-polymer-magazine.html>.

Promag, "GLK-A8—Glock 17/19/26 9mm (32)RD Black Polymer Magazine", Known to exist as early as Jan. 29, 2015, Retrieved from <https://promagindustries.com/glock/149-glock-17-19-26-9mm-32rd-black-polymer-magazine.html>, p. 5, Published in: US.

Tango Down Inc., "Vickers Tactical Magazine Floor Plates VTMFP-001", Known to exist as early as Oct. 2015, p. 5, Publisher: Website located at <https://tangodown.com/shop/vickers-tactical-glock-mag-floor-plate/>.

Midway USA Inc., "Glock Magazine Gen 4 Glock 19 9MM Luger Polymer Black", Known to exist as early as Oct. 2015, p. 3, Retrieved from <http://www.midwayusa.com/product/930295773/glock-magazine-gen-4-glock-19-9mm-luger-polymer-black>, Published in: US.

* cited by examiner

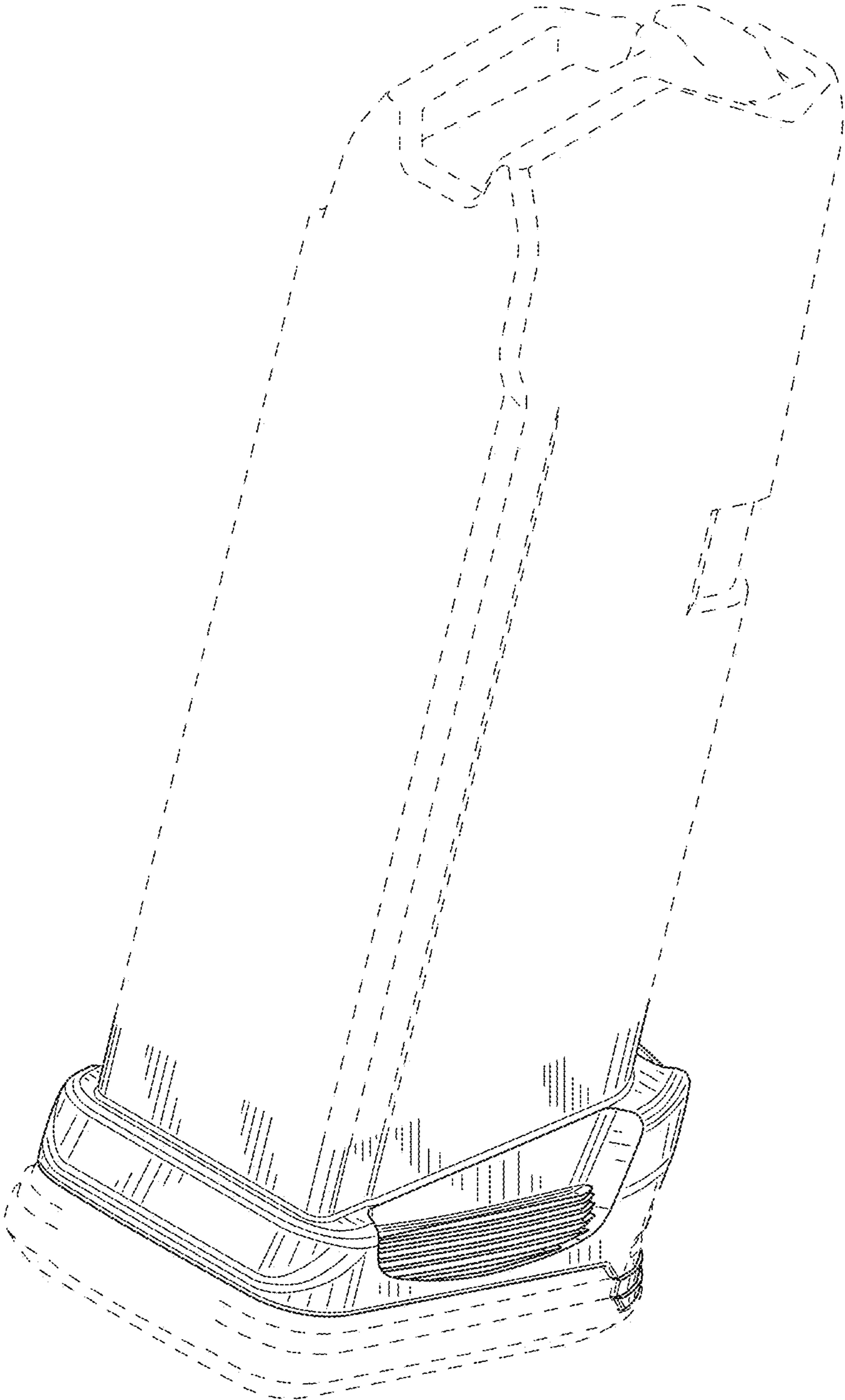


FIG.1

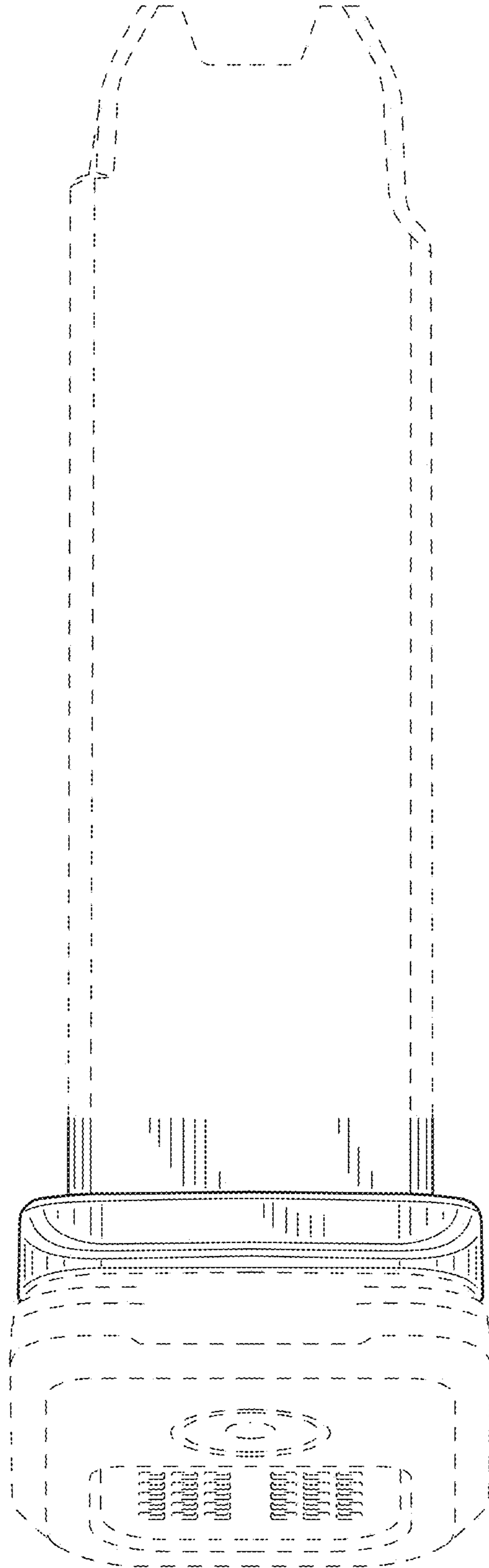


FIG.2

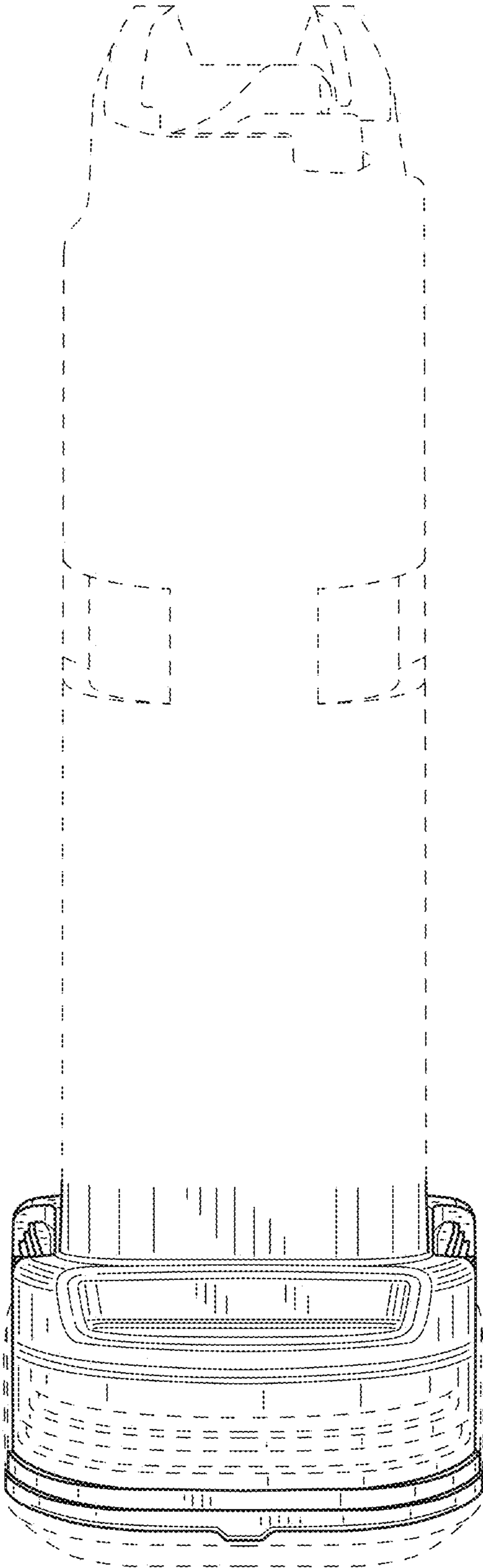


FIG.3

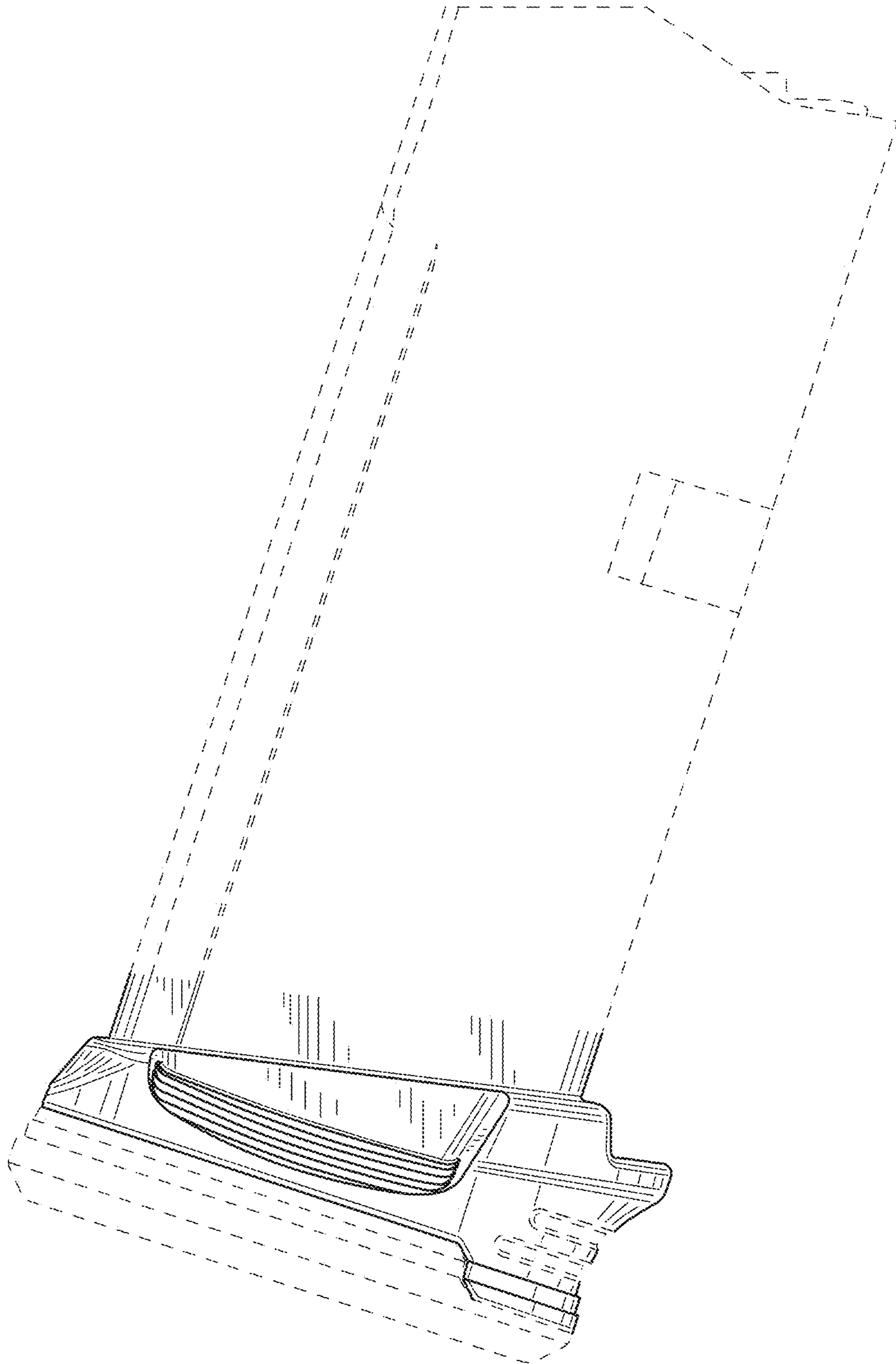


FIG.4

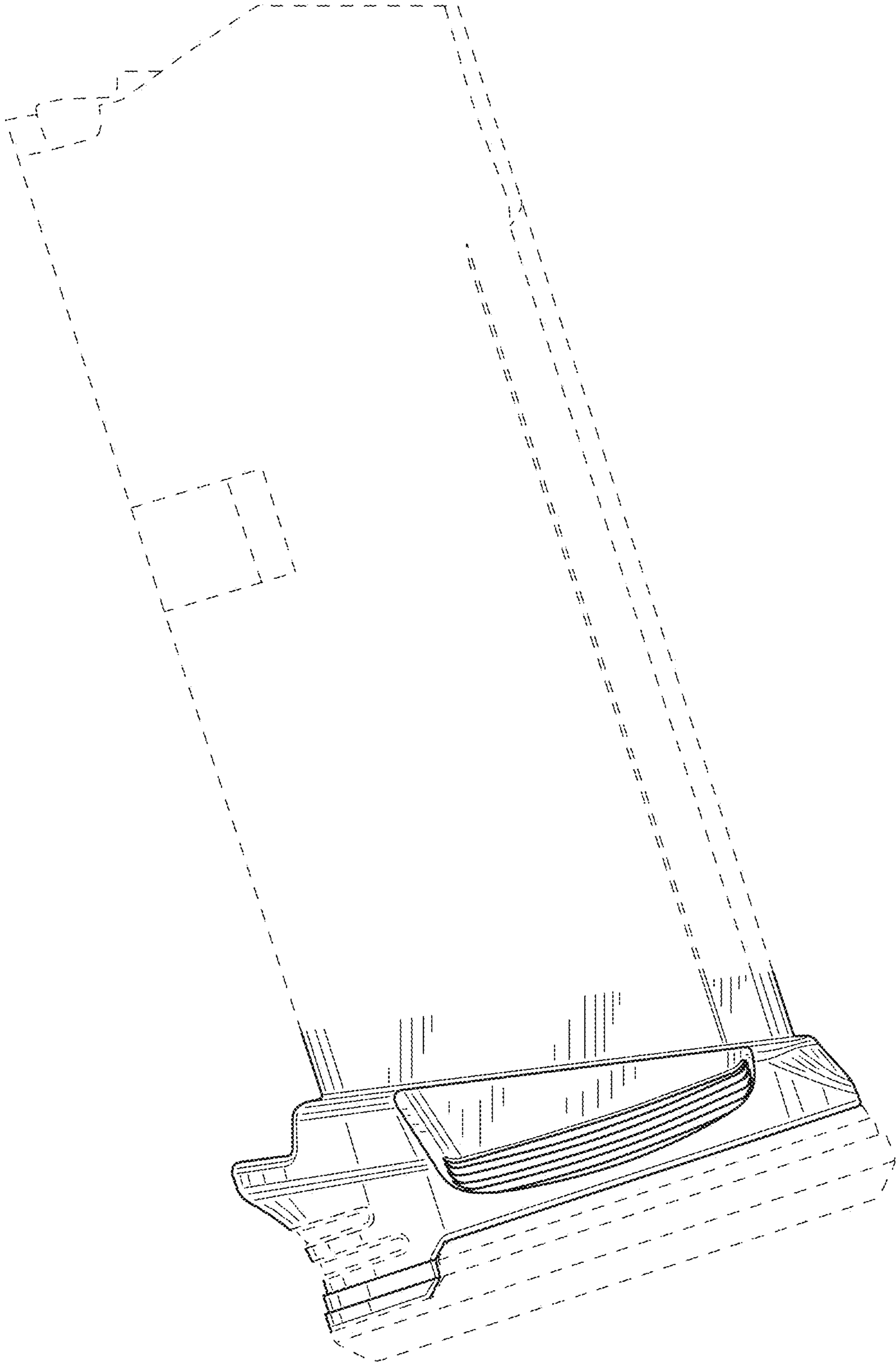


FIG. 5

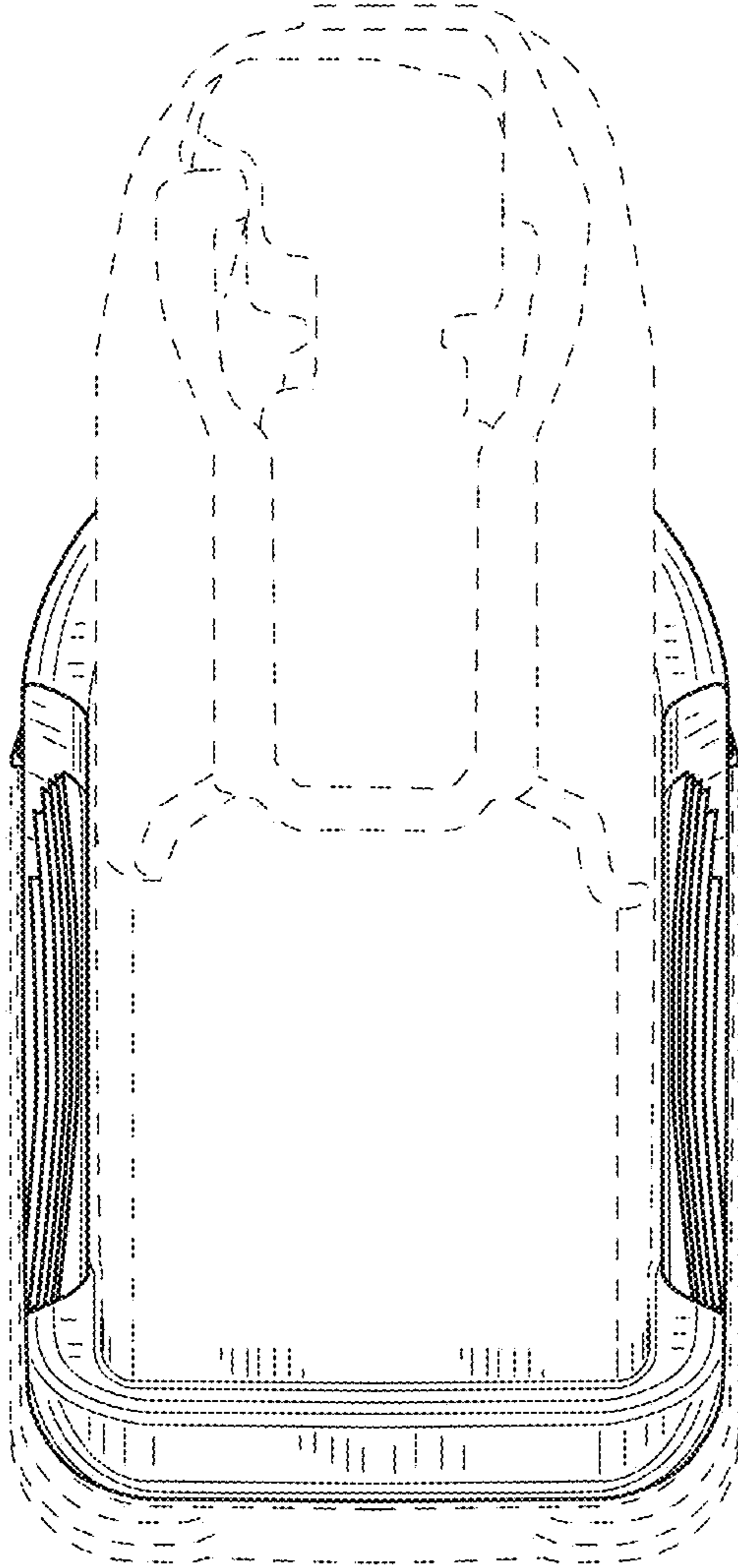


FIG. 6

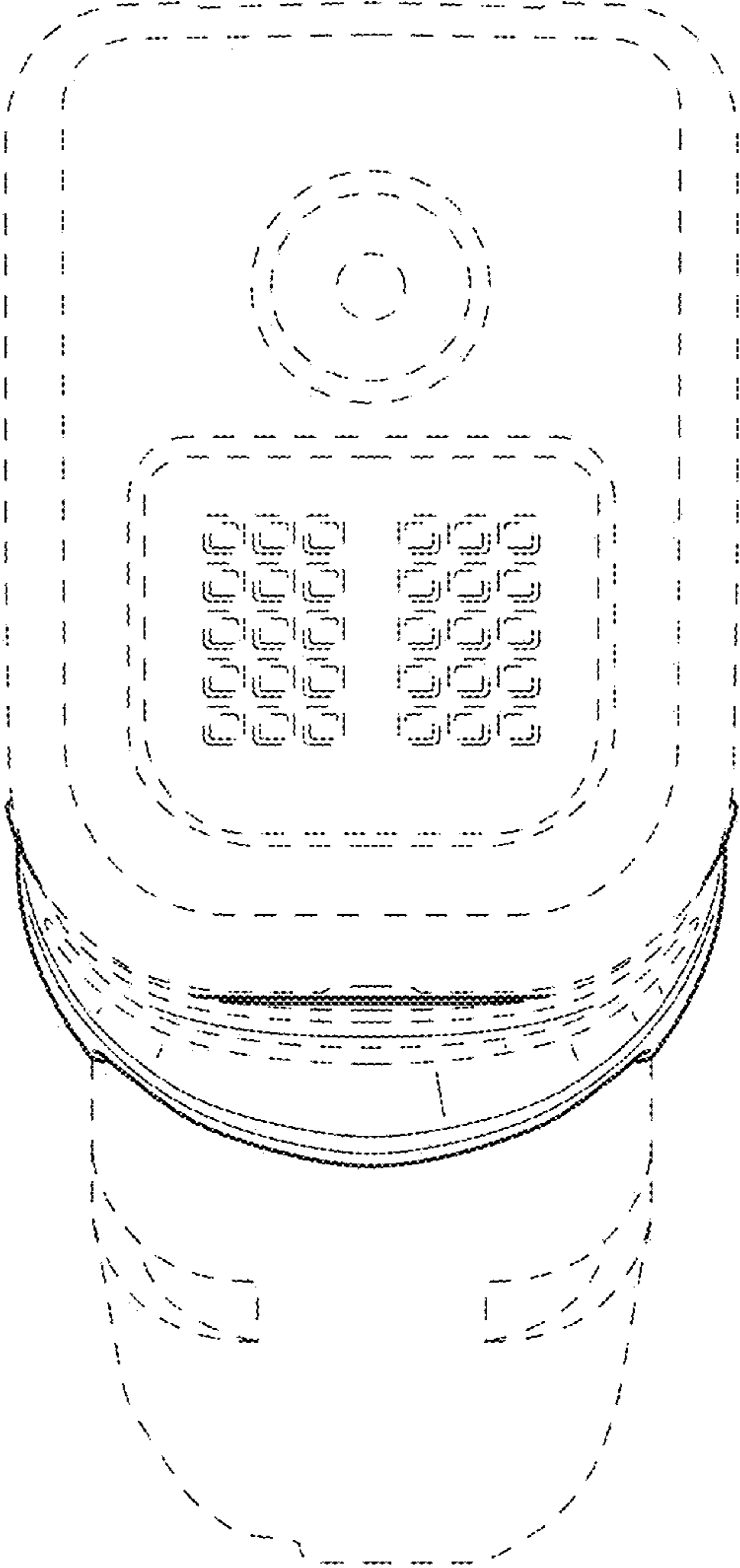


FIG. 7