



US00D892252S

(12) **United States Design Patent** (10) **Patent No.:** **US D892,252 S**
Storch (45) **Date of Patent:** **** Aug. 4, 2020**

(54) **FIREARM ARM BRACE SLING MOUNT**

(71) Applicant: **Midwest Industries, Inc.**, Waukesha, WI (US)

(72) Inventor: **Troy Storch**, Wales, WI (US)

(73) Assignee: **Midwest Industries, Inc.**, Waukesha, WI (US)

(**) Term: **15 Years**

(21) Appl. No.: **29/634,607**

(22) Filed: **Jan. 23, 2018**

(51) **LOC (12) Cl.** **22-01**

(52) **U.S. Cl.**
USPC **D22/108**

(58) **Field of Classification Search**
USPC D22/103, 107-111, 199; D29/101.1, 108;
D3/214-216, 221-222, 262, 327-328;
D11/218; D8/347, 352, 373, 394, 396
CPC F41C 33/00; F41C 33/001; F41C 33/002;
F41C 33/006; F41C 33/008; F41C 23/02;
Y10S 224/913; A45F 2003/142; Y10T
24/21; Y10T 24/2196; Y10T 24/2143;
Y10T 24/2145

See application file for complete search history.

(56) **References Cited**

U.S. PATENT DOCUMENTS

D178,579 S * 8/1956 Popp D8/396
4,216,600 A * 8/1980 Brueckner F41G 11/001
42/127
D492,893 S * 7/2004 Oddsen, Jr. D8/354
D635,442 S * 4/2011 Roberts, III D8/330
D635,443 S * 4/2011 Roberts, III D6/330
D667,914 S * 9/2012 Storch D22/108
D671,394 S * 11/2012 Derry D8/373
D677,914 S 3/2013 Cardenas
D697,160 S * 1/2014 Satzinger D22/108
D702,311 S * 4/2014 Fitzpatrick D22/108

D746,404 S 12/2015 Chow et al.
D756,747 S * 5/2016 Wu D8/352
D801,164 S * 10/2017 Powers D8/394
D801,797 S * 11/2017 Powers D8/394
D813,973 S * 3/2018 McKillips D22/109
D850,892 S * 6/2019 Lin D8/373

(Continued)

OTHER PUBLICATIONS

Magpul, Magpul M-LOK QD Quick Disconnect Sling Mount, posted at Amazon, reviewed Sep. 18, 2016. Site visited Sep. 19, 2019. URL: <<https://www.amazon.com/Magpul-M-LOK-Quick-Disconnect-Sling-Mount/dp/B00ORY7TO0>> (Year: 2016).*

(Continued)

Primary Examiner — Kevin K Rudzinski

Assistant Examiner — Kathleen L Jones

(74) *Attorney, Agent, or Firm* — Boyle Fredrickson S.C.

(57) **CLAIM**

The ornamental design for a firearm arm brace sling mount, substantially as shown and described.

DESCRIPTION

FIG. 1 is a perspective view of a firearm arm brace sling mount according to the present invention;

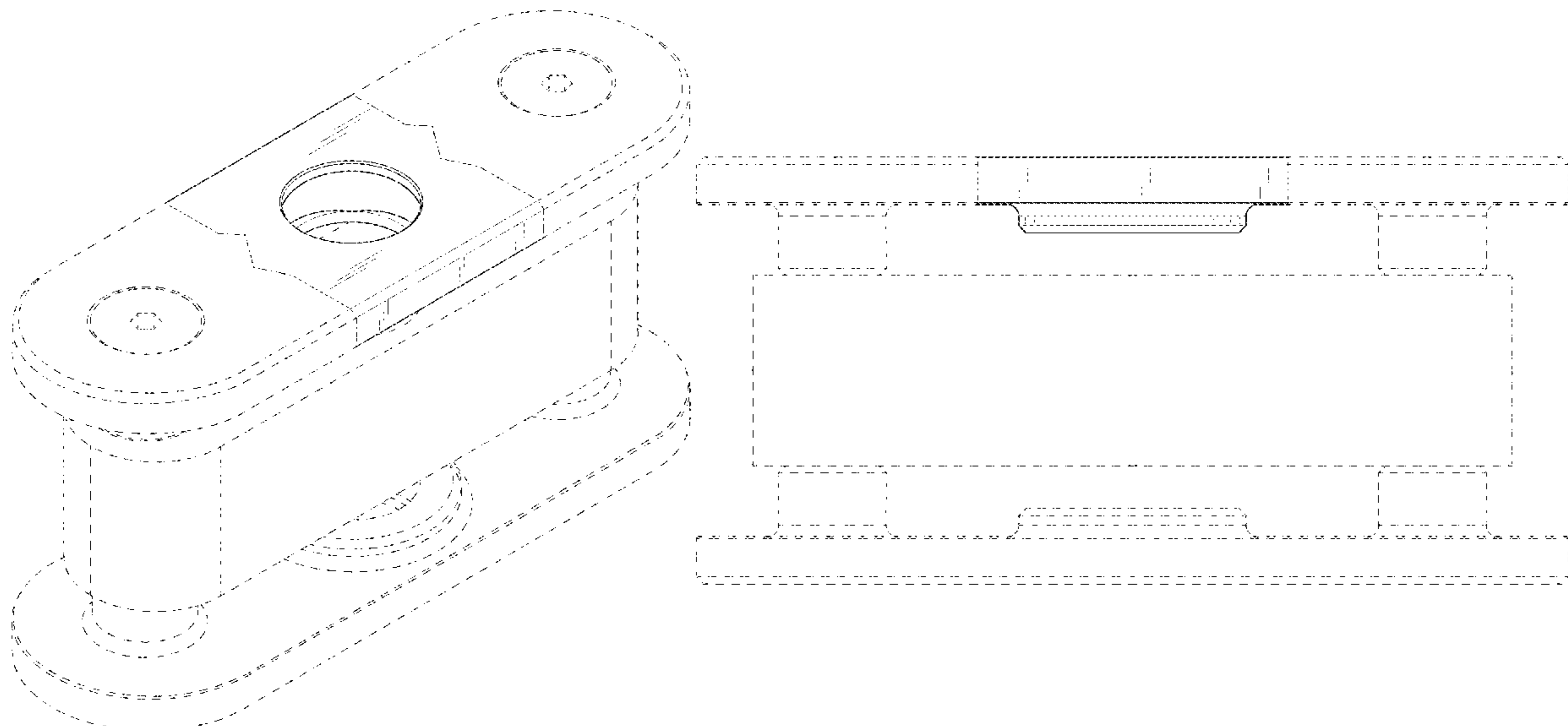
FIG. 2 is a left side elevation view of the firearm arm brace sling mount shown in FIG. 1 which is the same as the right side elevation view;

FIG. 3 is a bottom plan view of the firearm arm brace sling mount shown in FIG. 1 which is the same as the top plan view; and,

FIG. 4 is a front elevation view of the firearm arm brace sling mount shown in FIG. 1.

The evenly spaced broken lines are included to illustrate portions of article; the dot dash broken lines illustrate boundaries of the claimed design; all broken lines form no part of the claimed design.

1 Claim, 4 Drawing Sheets



(56)

References Cited

U.S. PATENT DOCUMENTS

10,386,138 B2 * 8/2019 Nuss F41A 3/66
D859,971 S * 9/2019 Tenander D8/394
D859,973 S * 9/2019 Foerster, Jr. D8/397
10,520,279 B2 * 12/2019 Mayberry F41G 11/004
2015/0001263 A1 * 1/2015 Chen F16B 5/0258
224/257
2015/0285584 A1 * 10/2015 Mayberry F41C 23/16
42/71.01
2017/0328672 A1 * 11/2017 Hewes F41C 23/14
2018/0213891 A1 * 8/2018 Paik A44B 11/18
2019/0316858 A1 * 10/2019 Nuss F41A 3/72

OTHER PUBLICATIONS

Daniel Defense KeyMod Reversible QD Sling Mount w/Swivel,
posted at Bravo Company, reviewed Dec. 11, 2015. Site visited Sep.
19, 2019. URL: <<https://www.bravocompanyusa.com/Daniel-Defense-KeyMod-Reversible-QD-Sling-Mount-p/dd-07231.htm>> (Year: 2015).*

MI-MLOKNUT, posted at Midwest Industries, reviewed Oct. 10,
2017. Site visited Sep. 19, 2019. URL: <<https://www.midwestindustriesinc.com/product-p/mi-mloknut.htm>> (Year: 2017).*

* cited by examiner

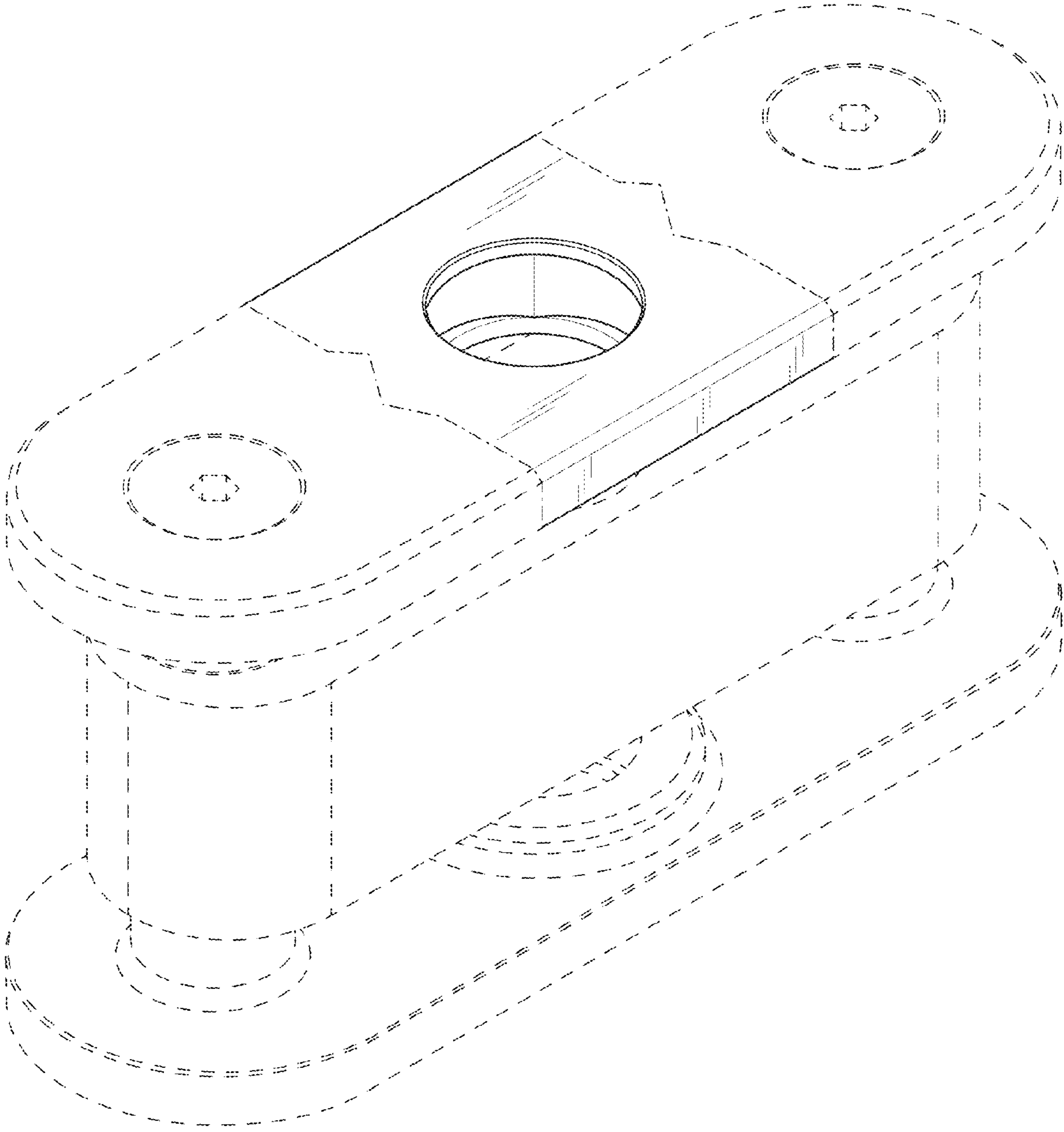


FIG. 1

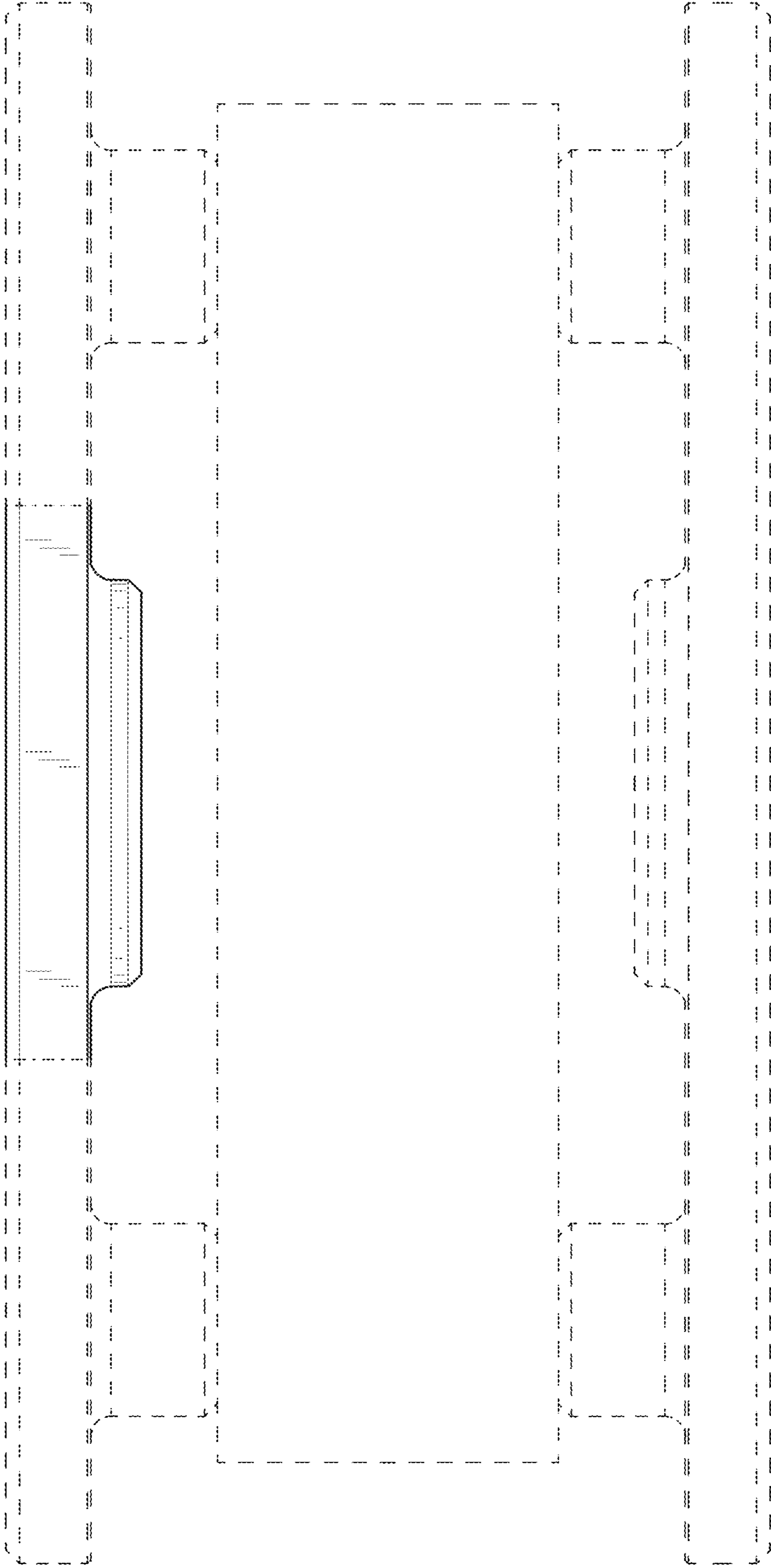


FIG. 2

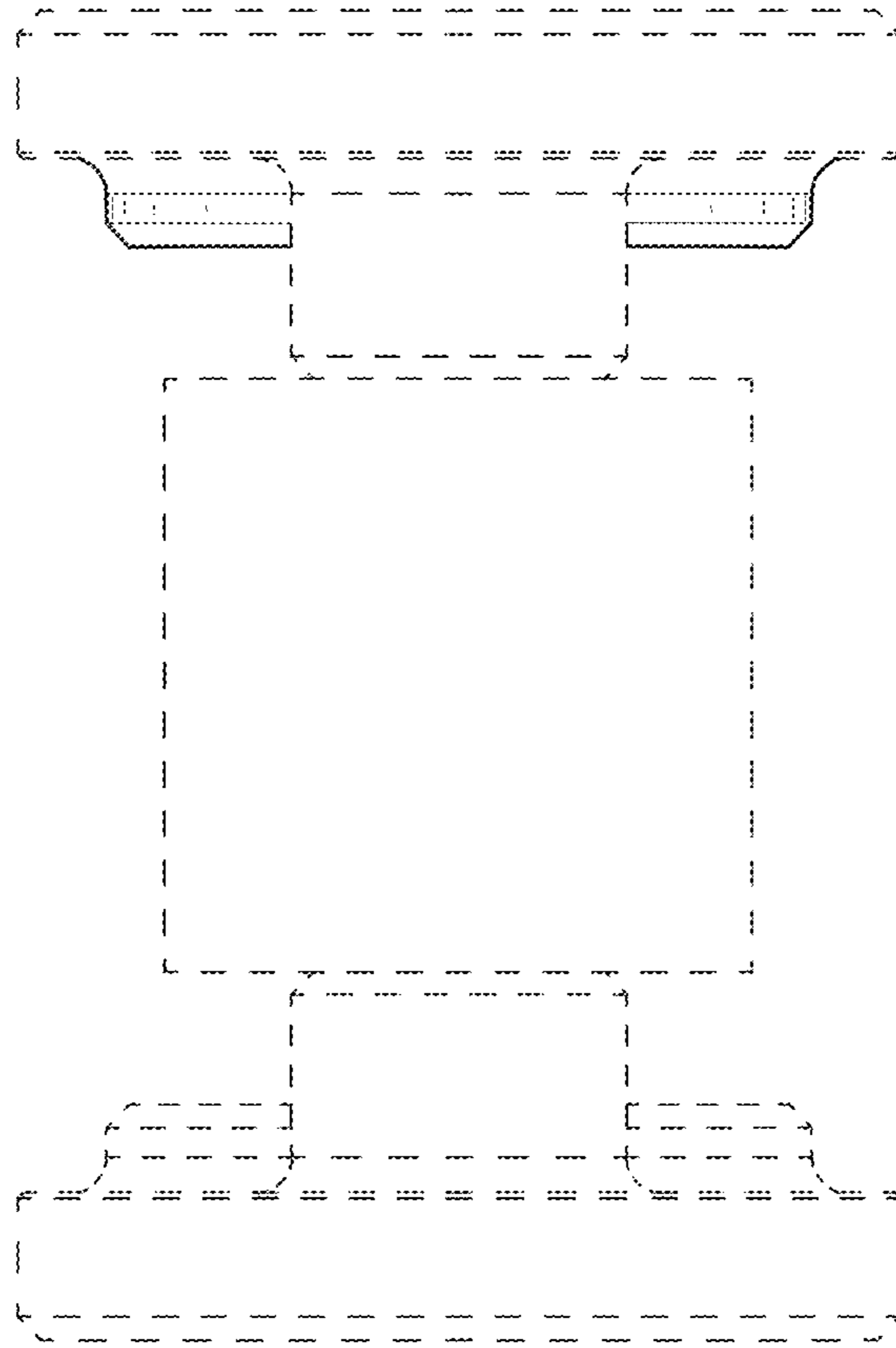


FIG. 3

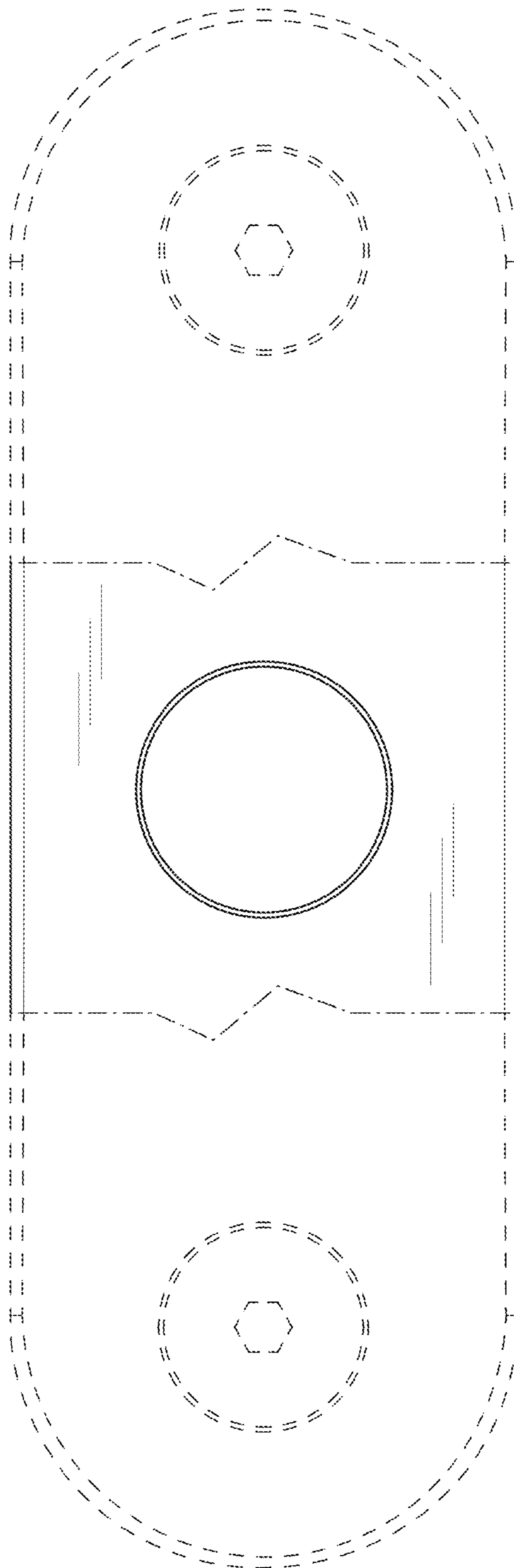


FIG. 4