



US00D892251S

(12) **United States Design Patent** (10) **Patent No.:** **US D892,251 S**  
**Thompson et al.** (45) **Date of Patent:** **\*\* Aug. 4, 2020**

(54) <b>BUCKET SEAT</b>	5,334,099 A * 8/1994 Marra ..... A47D 13/105 472/118
(71) Applicant: <b>Frustration Free Solutions, LLC,</b> Springville, UT (US)	D439,062 S * 3/2001 McGinnis ..... D6/347 D497,725 S * 11/2004 Marmentini ..... D6/333 D517,636 S * 3/2006 Bolland ..... D21/823 7,175,535 B1 * 2/2007 Marmentini ..... A47D 13/025 297/273
(72) Inventors: <b>Nathan Thompson,</b> Twin Falls, ID (US); <b>Jimmy Morrison,</b> Springville, UT (US)	7,578,746 B1 * 8/2009 Johnson ..... A63G 9/00 297/485 D724,167 S * 3/2015 Barker ..... D21/823 D753,253 S * 4/2016 Chiu ..... D21/688 2006/0061166 A1 * 3/2006 Bolland ..... A63G 9/00 297/281
(73) Assignee: <b>FRUSTRATION FREE SOLUTIONS,</b> <b>LLC,</b> Springville, UT (US)	

(\*\*) Term: **15 Years**

(21) Appl. No.: **29/682,707**

(22) Filed: **Mar. 7, 2019**

(51) **LOC (12) Cl.** ..... **21-02**

(52) **U.S. Cl.**  
USPC ..... **D21/823**

(58) **Field of Classification Search**  
USPC ..... D21/811, 814, 818-827; D6/347, 333;  
472/118-125, 127, 137; 297/273, 281  
CPC ..... A63G 9/00-22  
See application file for complete search history.

(56) **References Cited**

**U.S. PATENT DOCUMENTS**

D213,579 S *	3/1969	Golding	.....	D6/333
3,459,423 A *	8/1969	Meade	.....	A47D 13/105 472/119
D236,766 S *	9/1975	Speer	.....	D6/347
D260,580 S *	9/1981	Meeker	.....	D6/347
D341,645 S *	11/1993	Houry	.....	D21/823

\* cited by examiner

*Primary Examiner* — Mark A Goodwin  
(74) *Attorney, Agent, or Firm* — Durham Jones & Pinegar, P.C.

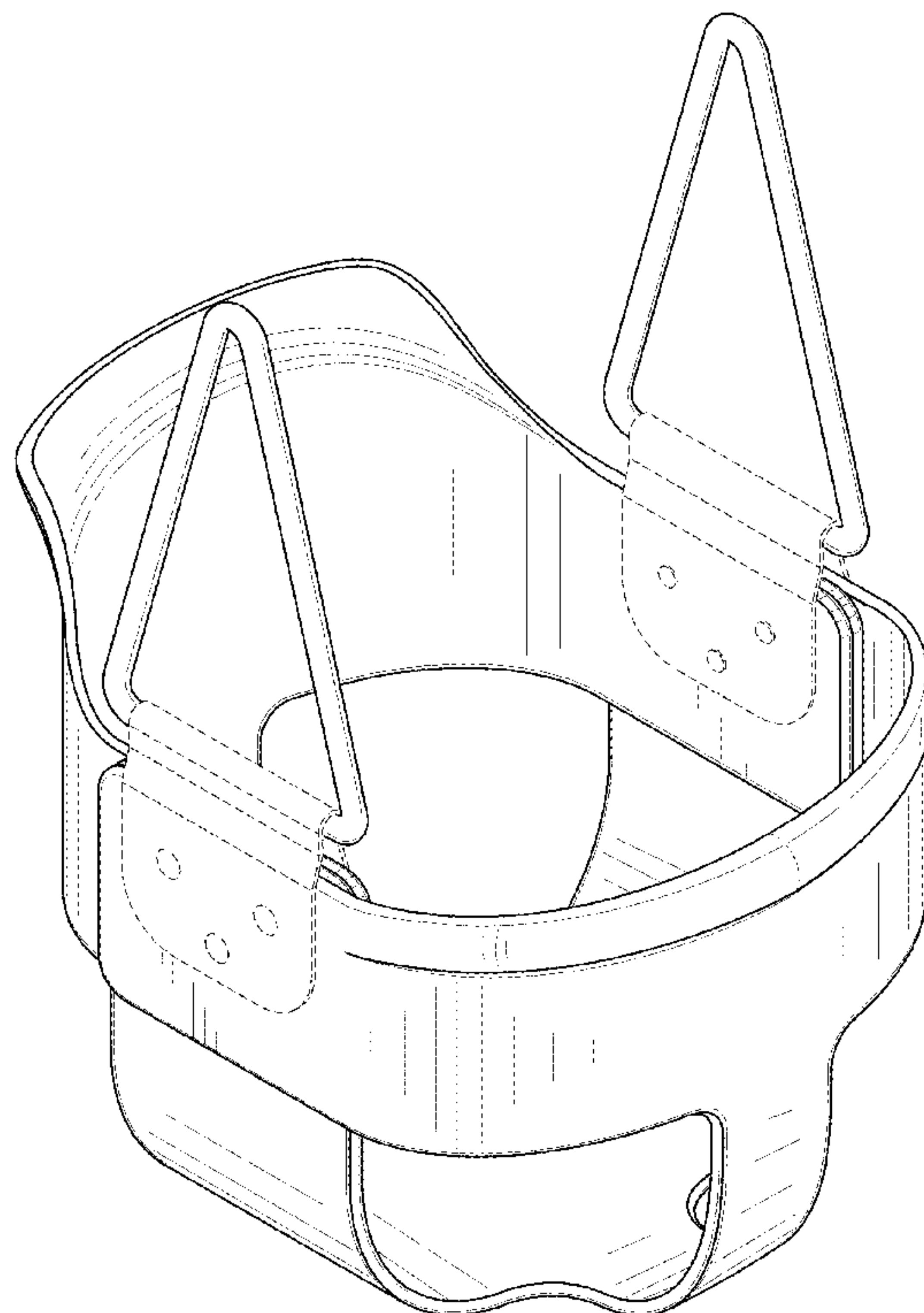
(57) **CLAIM**

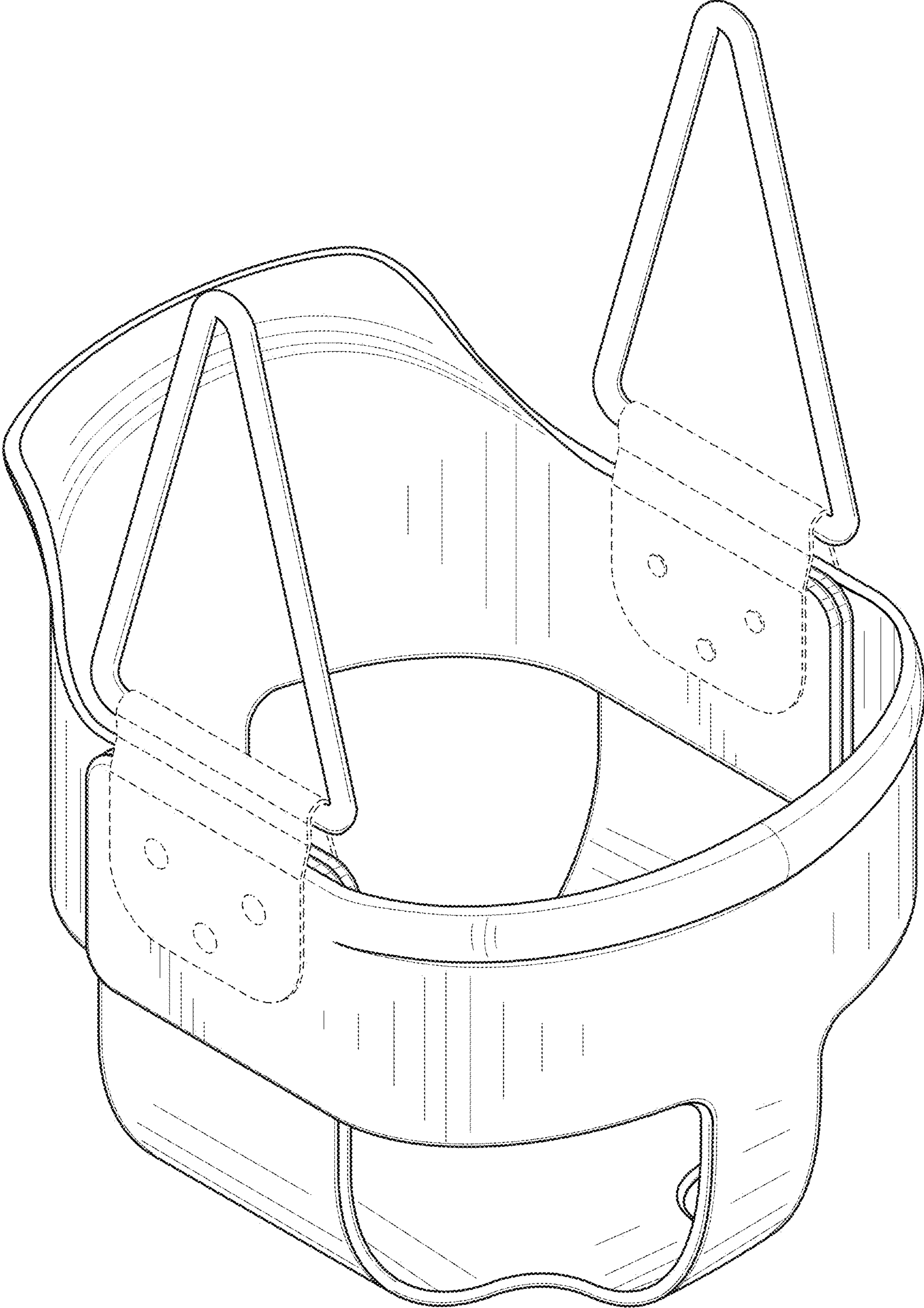
The ornamental design for a bucket seat, as shown and described.

**DESCRIPTION**

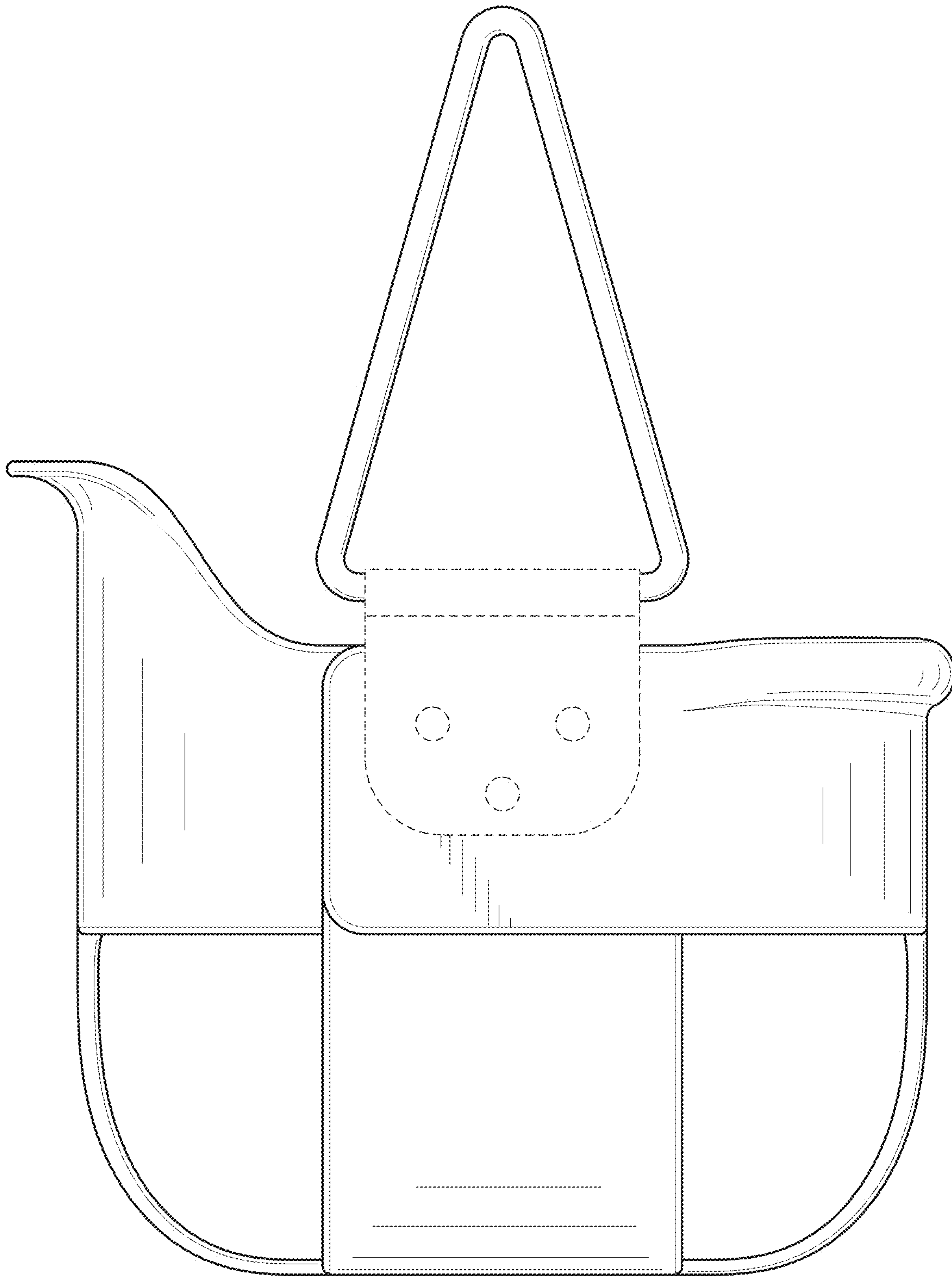
FIG. 1 is a perspective view of a bucket seat showing the new design;  
FIG. 2 is a first side view of the bucket seat of FIG. 1;  
FIG. 3 is a second side view of the bucket seat of FIG. 1;  
FIG. 4 is a front side view of the bucket seat of FIG. 1;  
FIG. 5 is a back view of the bucket seat of FIG. 1;  
FIG. 6 is a top view of the bucket seat of FIG. 1; and,  
FIG. 7 is a bottom view of the bucket seat of FIG. 1.  
The broken line showing of seat brackets is included for the purpose of illustrating environmental structure only and forms no part of the claimed design.

**1 Claim, 7 Drawing Sheets**

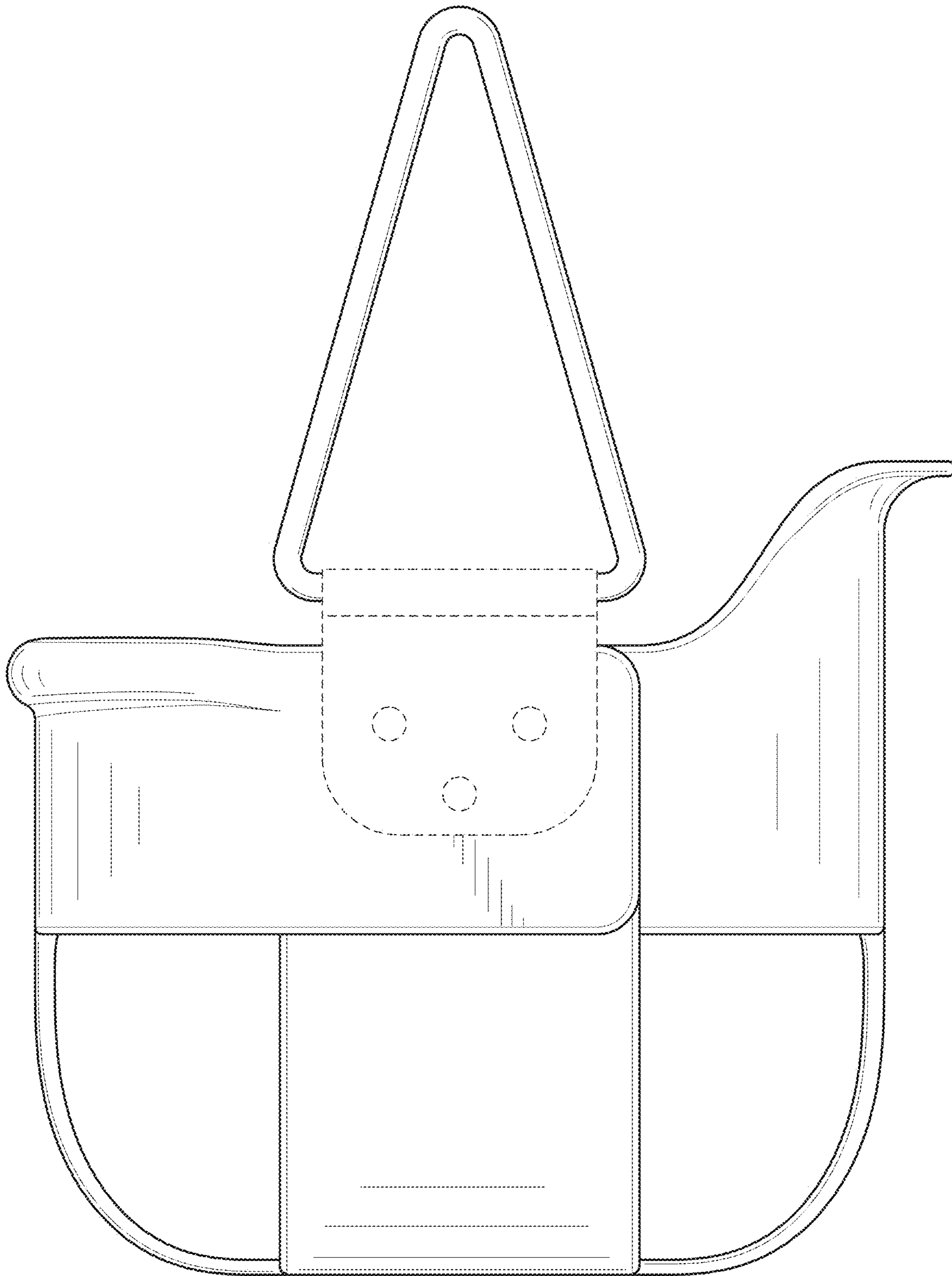




**FIG. 1**

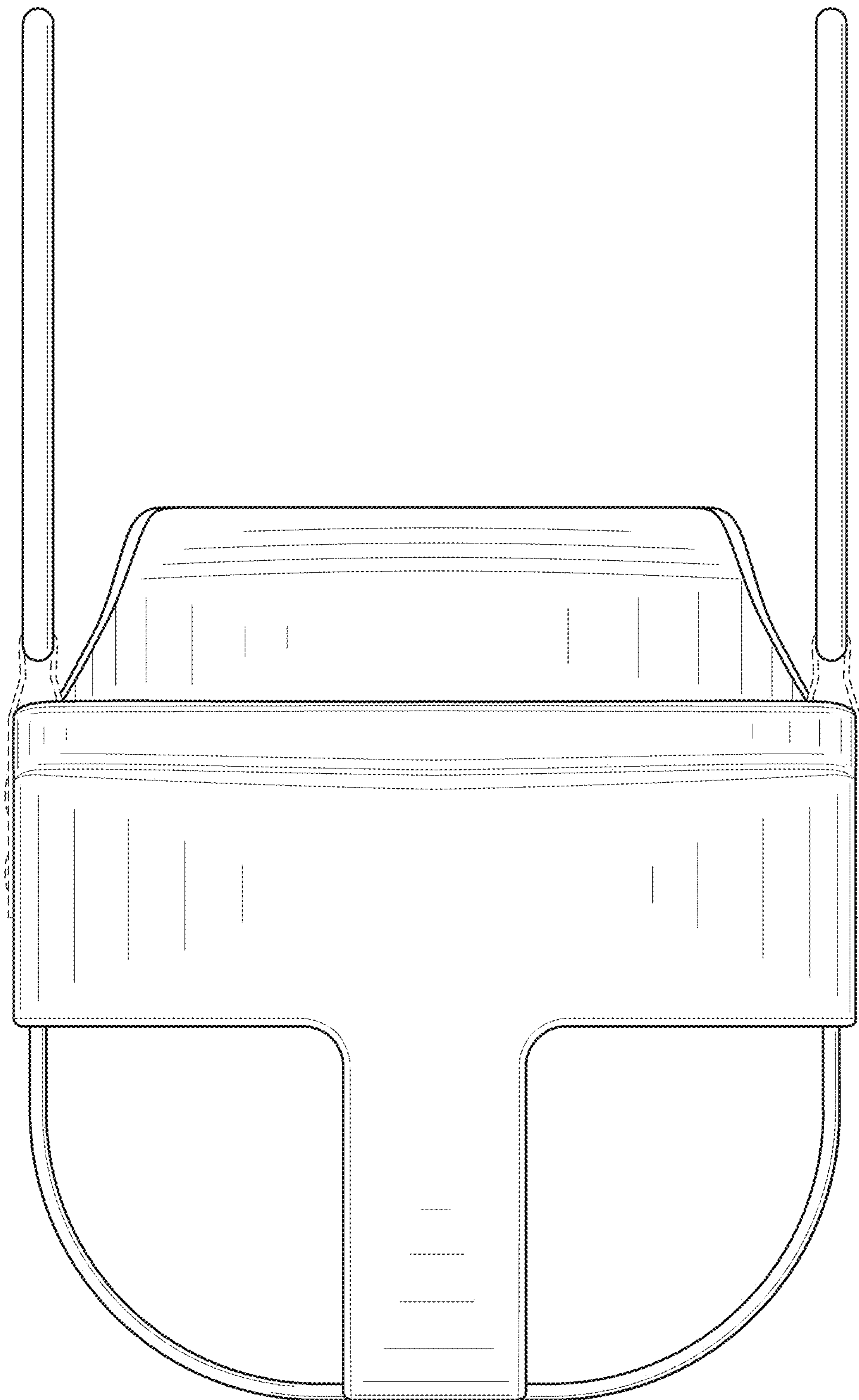


**FIG. 2**

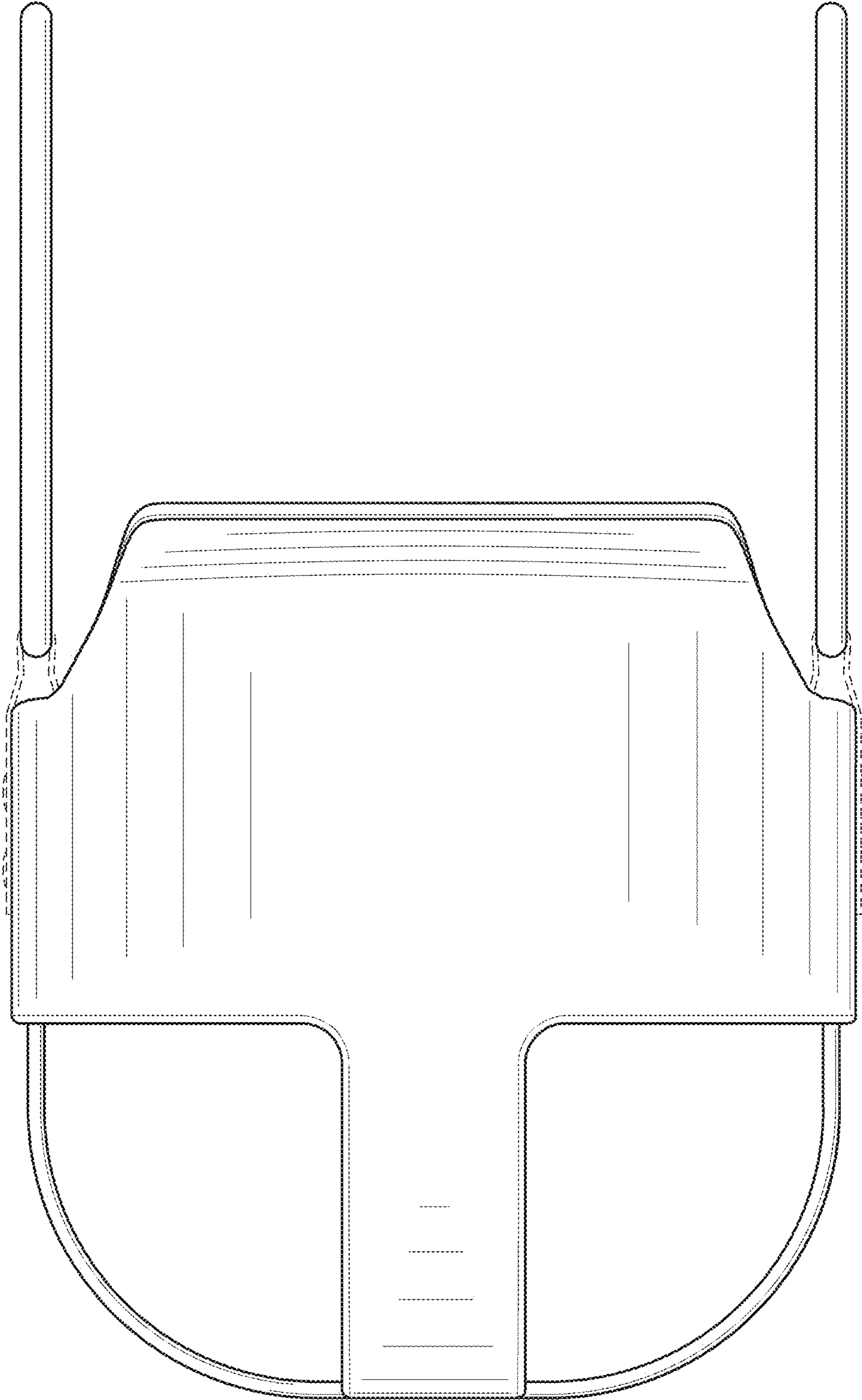


**FIG. 3**

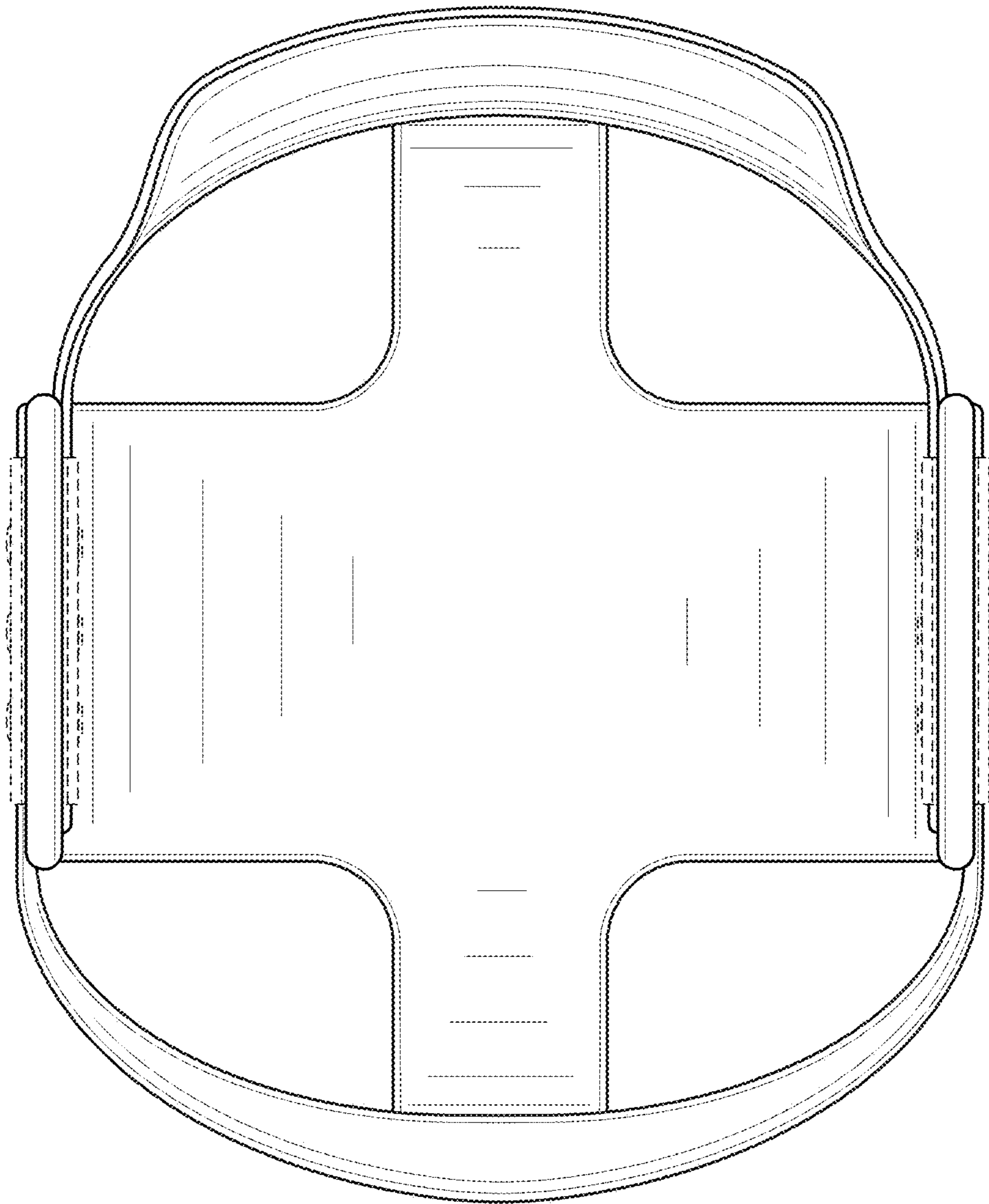




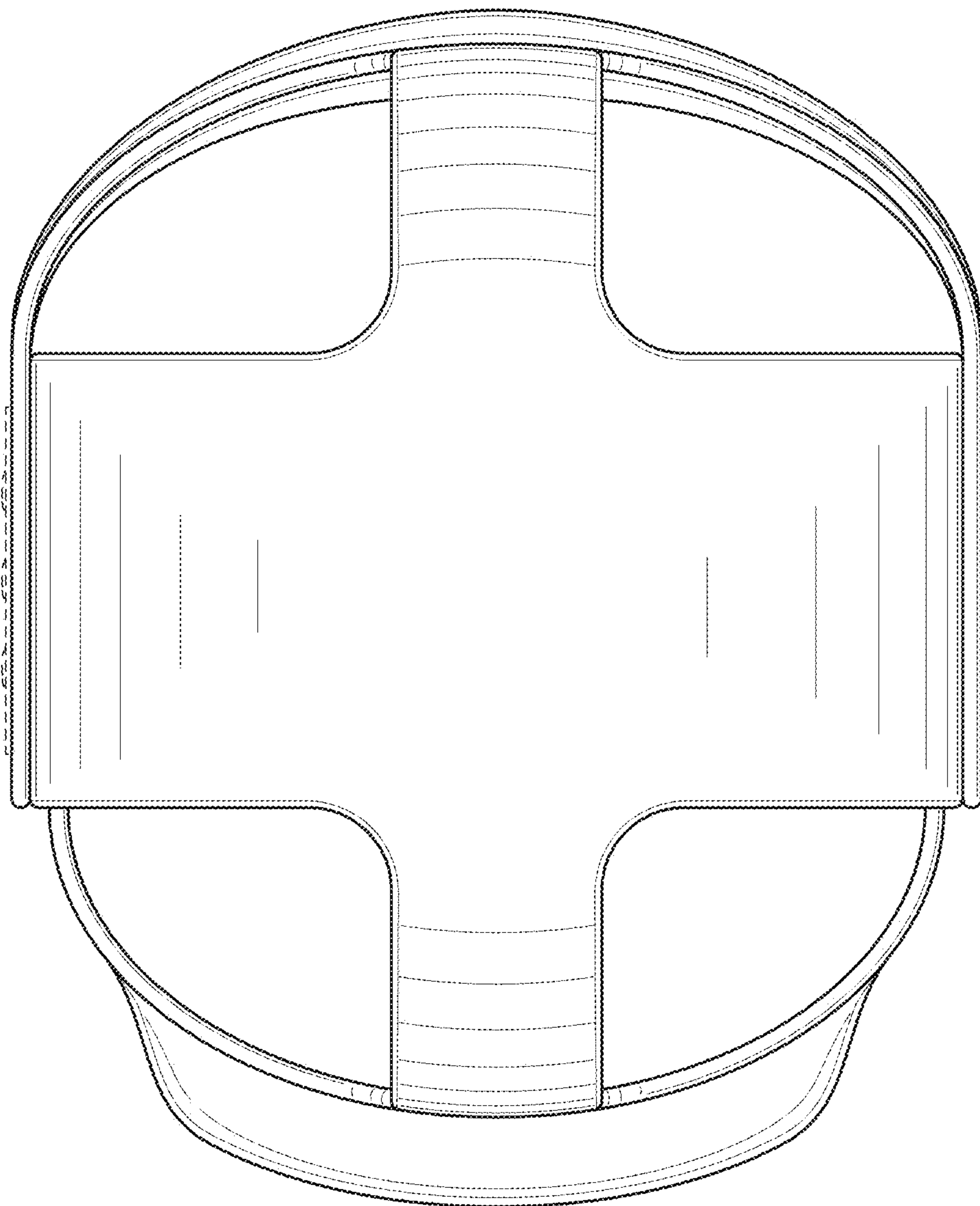
**FIG. 4**



**FIG. 5**



**FIG. 6**



**FIG. 7**