



US00D892245S

(12) **United States Design Patent**
Patterson

(10) **Patent No.:** **US D892,245 S**

(45) **Date of Patent:** **** Aug. 4, 2020**

(54) **SKATEBOARD**

(71) Applicant: **Daniel Patterson**, North Palm Beach,
FL (US)

(72) Inventor: **Daniel Patterson**, North Palm Beach,
FL (US)

(**) Term: **15 Years**

(21) Appl. No.: **29/729,586**

(22) Filed: **Mar. 27, 2020**

(51) **LOC (12) Cl.** **21-02**

(52) **U.S. Cl.**
USPC **D21/765**

(58) **Field of Classification Search**
USPC D21/760, 763, 765, 771; D12/1
CPC A63H 17/01; A63H 17/012; A63H 17/015;
A63H 17/018; A63H 17/02
See application file for complete search history.

(56) **References Cited**

U.S. PATENT DOCUMENTS

D214,215 S *	5/1969	Keneklis	D21/769
5,267,743 A *	12/1993	Smisek	A63C 17/01 280/79.11
D401,287 S *	11/1998	Ritzinger	D21/760
5,868,405 A *	2/1999	Lavecchia	B63B 32/50 280/14.21
D448,441 S *	9/2001	Wolf	D21/760
D457,587 S *	5/2002	Wolf	D21/760
6,520,518 B2 *	2/2003	Lo	A63C 17/01 280/87.041
D473,908 S *	4/2003	Eckert	D21/766
D524,400 S *	7/2006	Langford	D21/760

D534,231 S *	12/2006	Dosta Vidal	D21/769
D630,281 S *	1/2011	Ellis	D21/760
D692,080 S *	10/2013	Hamborg	D21/765
2009/0108554 A1 *	4/2009	Boyle	A63C 17/01 280/87.042
2016/0228760 A1 *	8/2016	Tucker	A63C 17/26
2020/0147475 A1 *	5/2020	Pflum	A63C 17/002

* cited by examiner

Primary Examiner — Cynthia M. Chin

(74) *Attorney, Agent, or Firm* — Quickpatents, LLC;
Kevin Prince

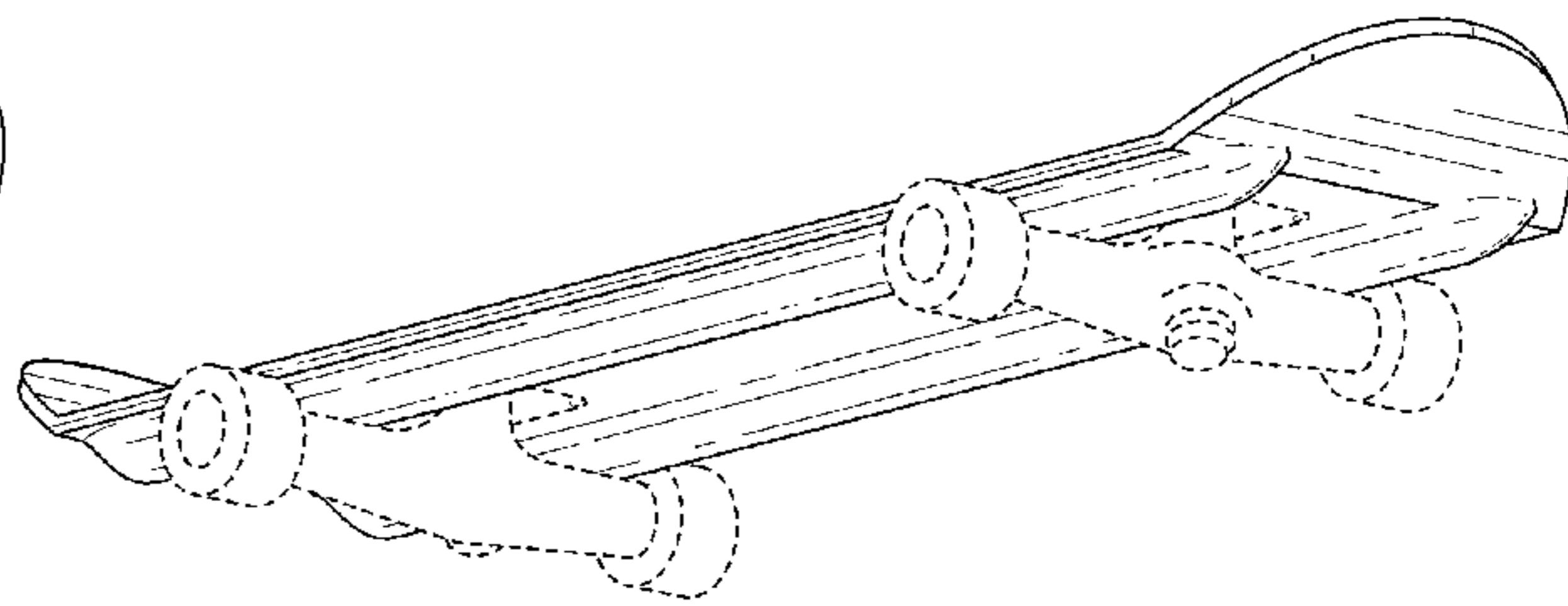
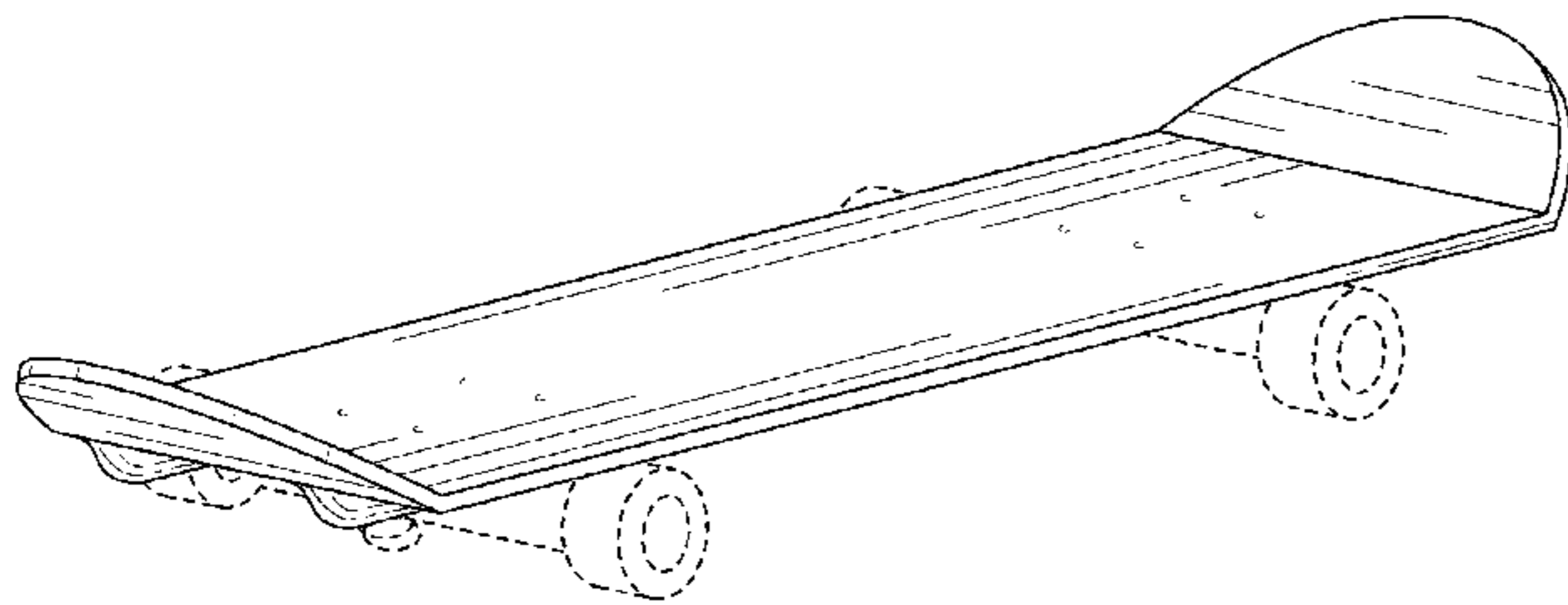
(57) **CLAIM**

The ornamental design for a skateboard, as shown and described.

DESCRIPTION

FIG. 1 is a top perspective view of a skateboard, showing my new design;
 FIG. 2 is a bottom perspective view thereof;
 FIG. 3 is a top plan view thereof;
 FIG. 4 is a bottom plan view thereof;
 FIG. 5 is a left-side elevational view thereof, the right-side elevational view being a mirror image thereof;
 FIG. 6 is a front elevational view thereof, the rear elevational view being a mirror image thereof; and,
 FIG. 7 is a cross-sectional view thereof, taken along line 3-3 of FIG. 7.
 The broken lines showing trucks of the skateboard in the figures depict portions of the skateboard that form no part of the claimed design.

1 Claim, 4 Drawing Sheets



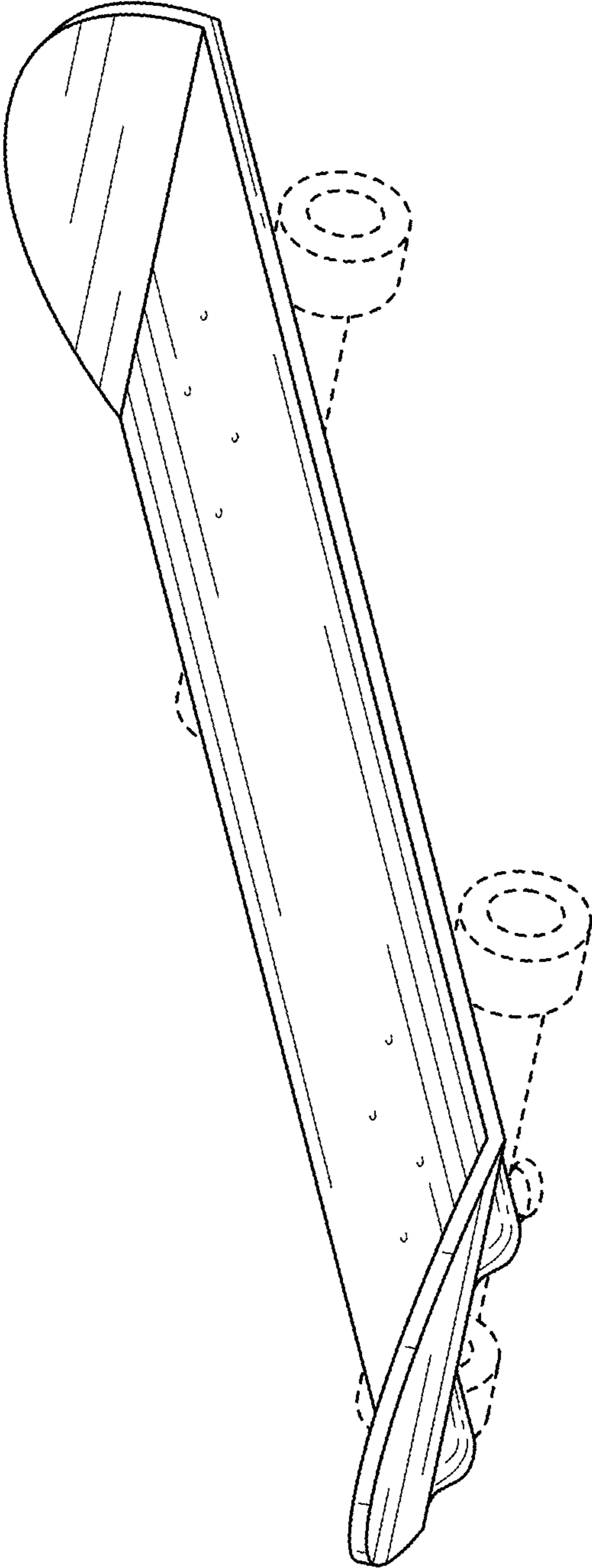


FIG. 1

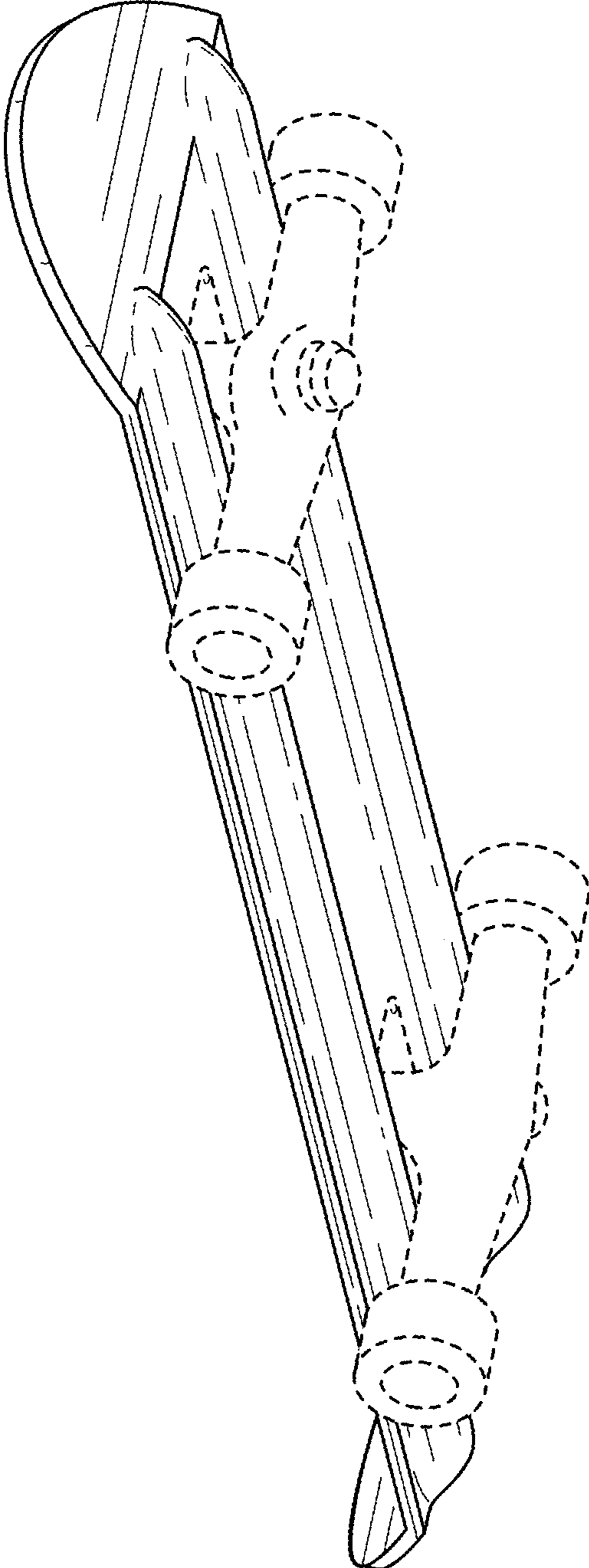


FIG. 2

FIG. 3

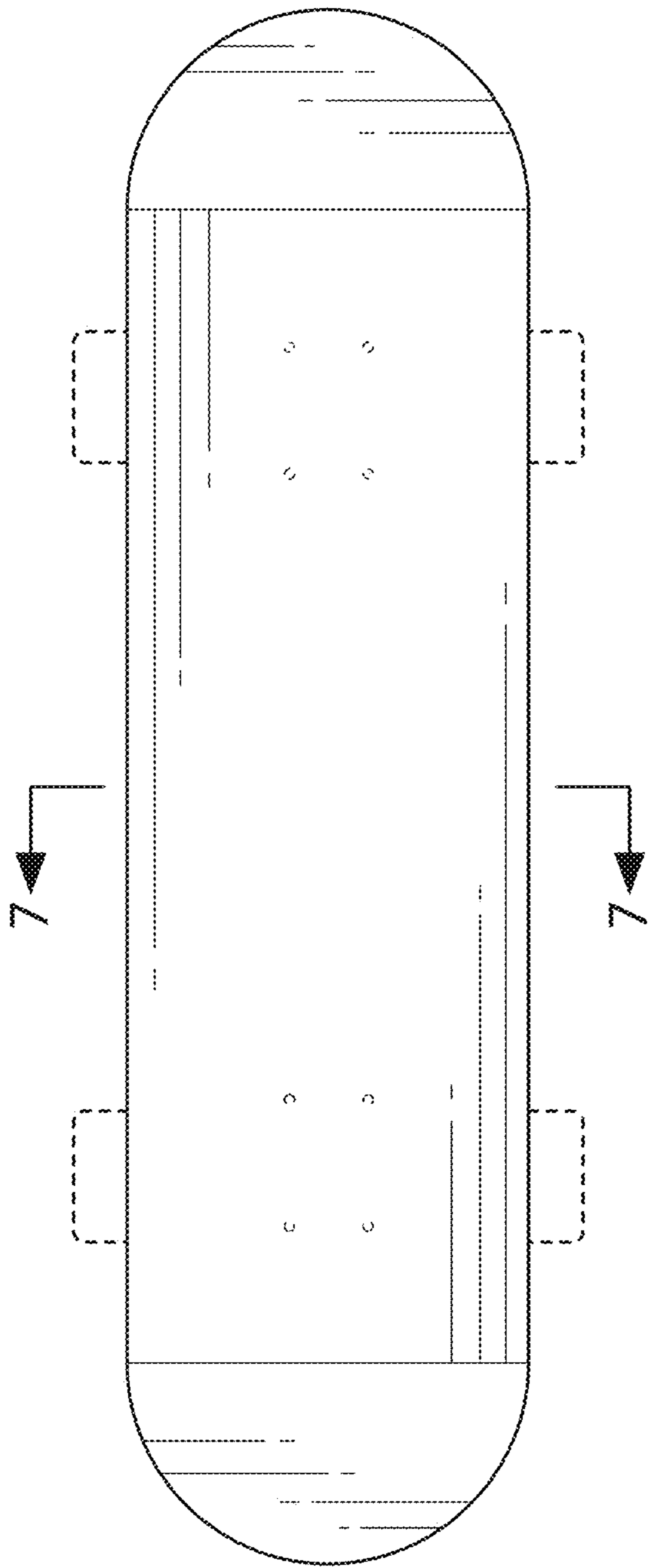
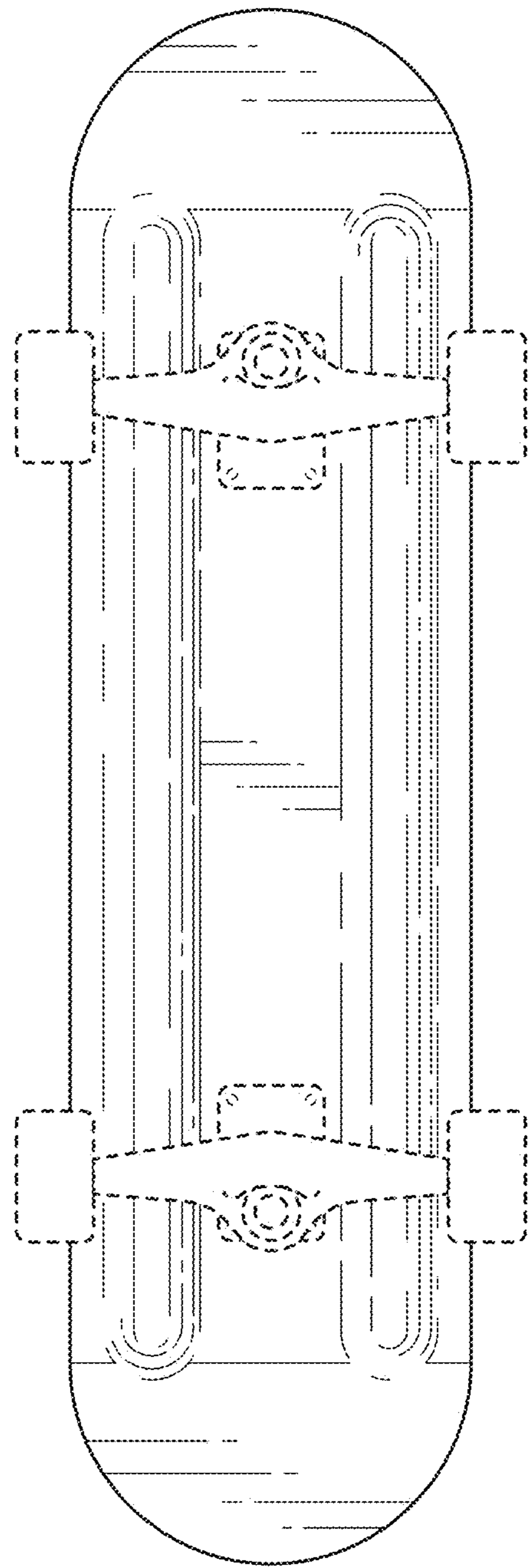


FIG. 4



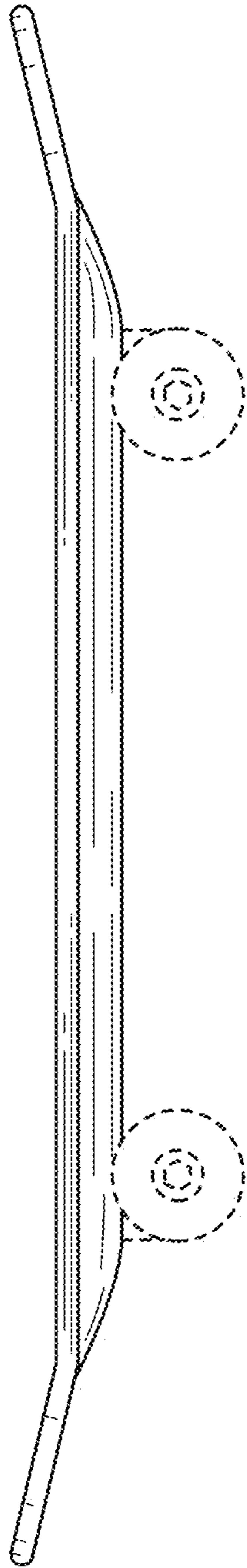


FIG. 5

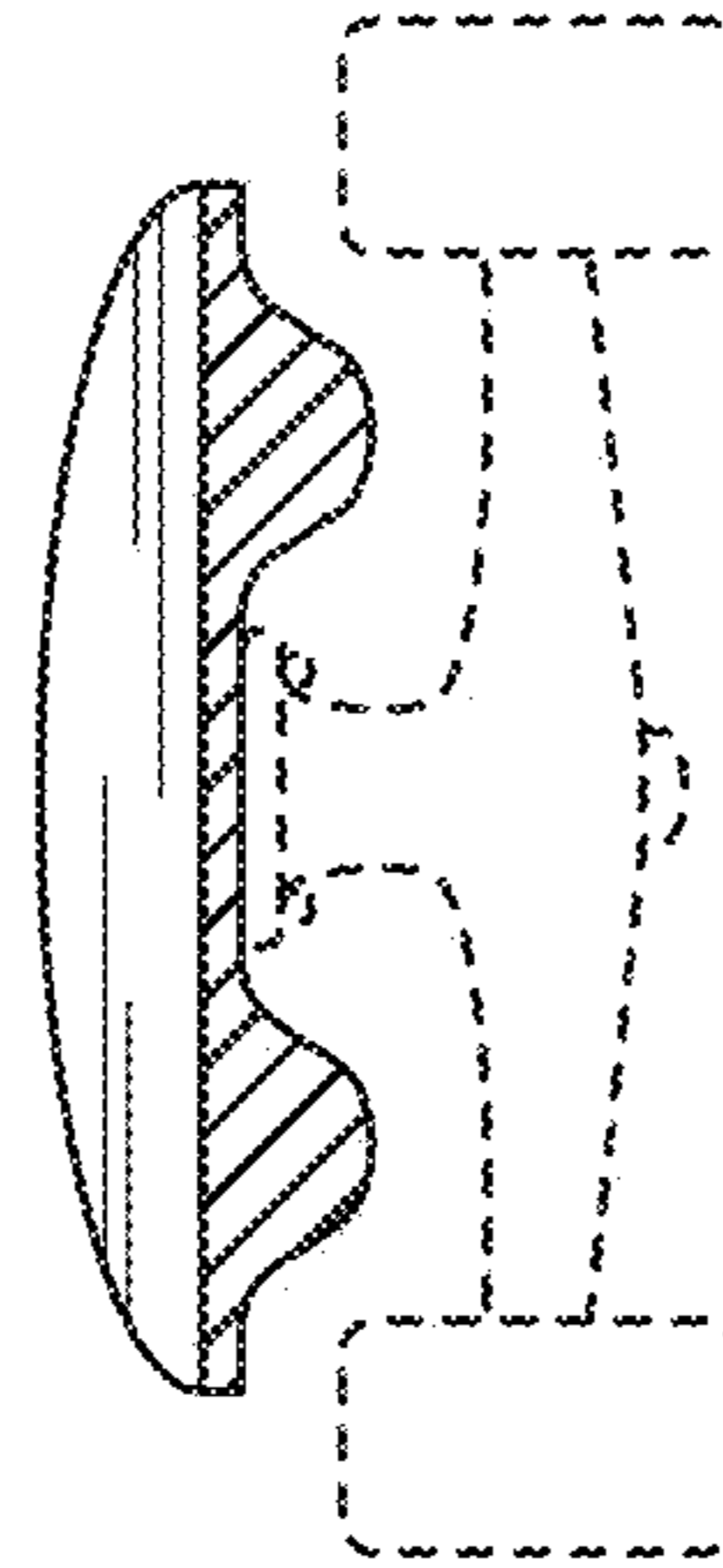


FIG. 7

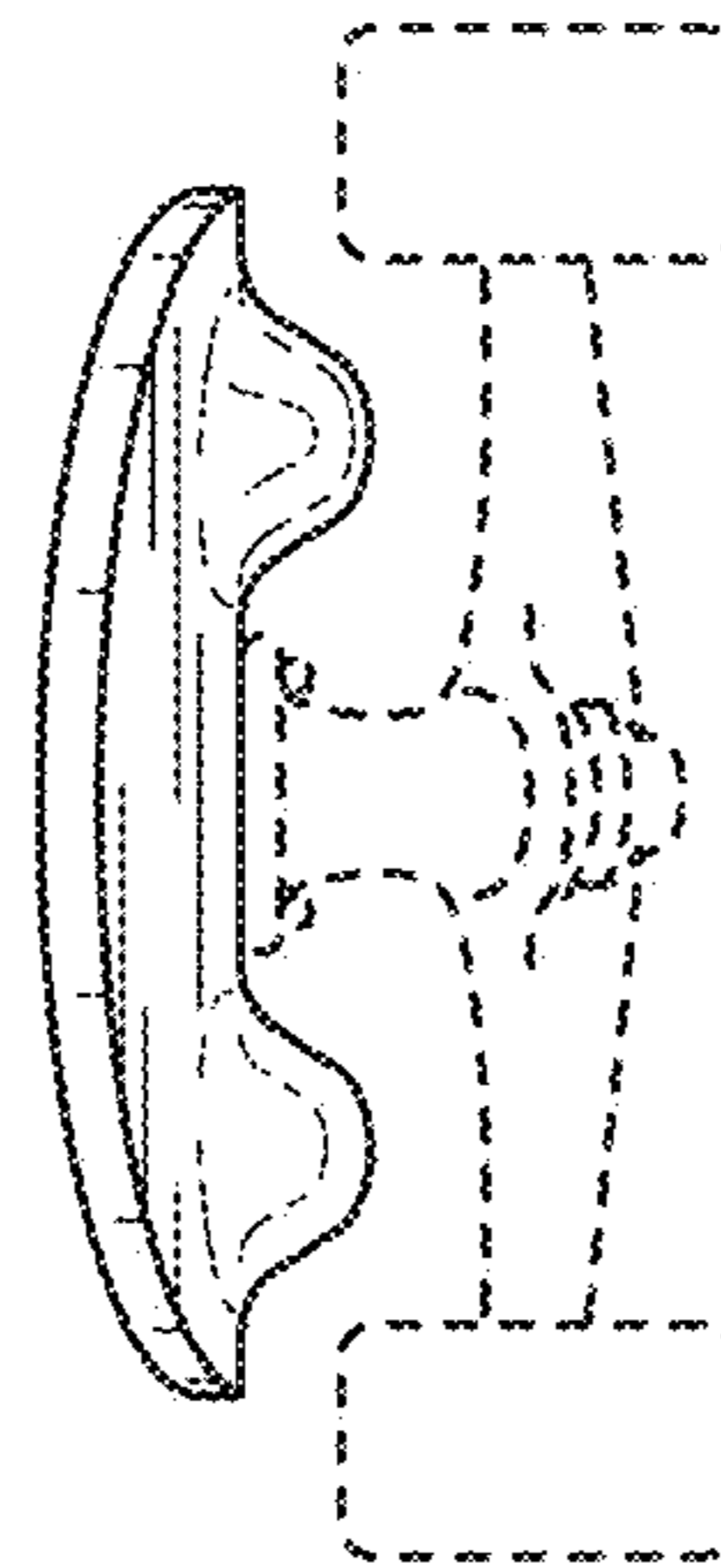


FIG. 6