



US00D892244S

(12) **United States Design Patent**  
**Basar**

(10) **Patent No.:** **US D892,244 S**

(45) **Date of Patent:** **\*\* Aug. 4, 2020**

(54) **SKATEBOARD**

(71) Applicant: **Volkan Basar**, Mannheim (DE)

(72) Inventor: **Volkan Basar**, Mannheim (DE)

(\*\*) Term: **15 Years**

(21) Appl. No.: **29/688,247**

(22) Filed: **Apr. 19, 2019**

(30) **Foreign Application Priority Data**

Oct. 22, 2018 (EM) ..... 005803939-0001

(51) **LOC (12) Cl.** ..... **21-02**

(52) **U.S. Cl.**  
USPC ..... **D21/765**

(58) **Field of Classification Search**  
USPC ..... D21/419, 421, 423, 426, 662, 760, 765,  
D21/766, 769, 771, 776; D12/1  
CPC ..... A63C 17/01; A63C 17/011; A63C 17/012;  
A63C 17/014; A63C 17/015; A63C  
17/02; A63C 17/26; A63C 5/003; B60Q  
1/326; B62K 3/001  
See application file for complete search history.

(56) **References Cited**

**U.S. PATENT DOCUMENTS**

3,362,722 A \* 1/1968 Core ..... A63C 17/01  
280/87.041  
3,795,409 A \* 3/1974 Cudmore ..... A63C 17/01  
280/87.042

D398,358 S \* 9/1998 Jeffreys ..... D21/765  
5,803,473 A \* 9/1998 Bouden ..... A63C 17/01  
280/11.19  
D509,871 S \* 9/2005 Lee ..... D21/765  
D654,975 S \* 2/2012 Carrillo Lostao ..... D21/763  
8,500,146 B2 \* 8/2013 Genov ..... A63C 17/012  
280/11.28  
D797,212 S \* 9/2017 Polinsky ..... D21/662  
2017/0056756 A1 \* 3/2017 Pikulski ..... A63C 17/12  
2017/0106739 A1 \* 4/2017 Gillett ..... B60K 7/0007

\* cited by examiner

*Primary Examiner* — Cynthia M. Chin

(74) *Attorney, Agent, or Firm* — Grossman, Tucker,  
Perreault & Pfleger, PLLC

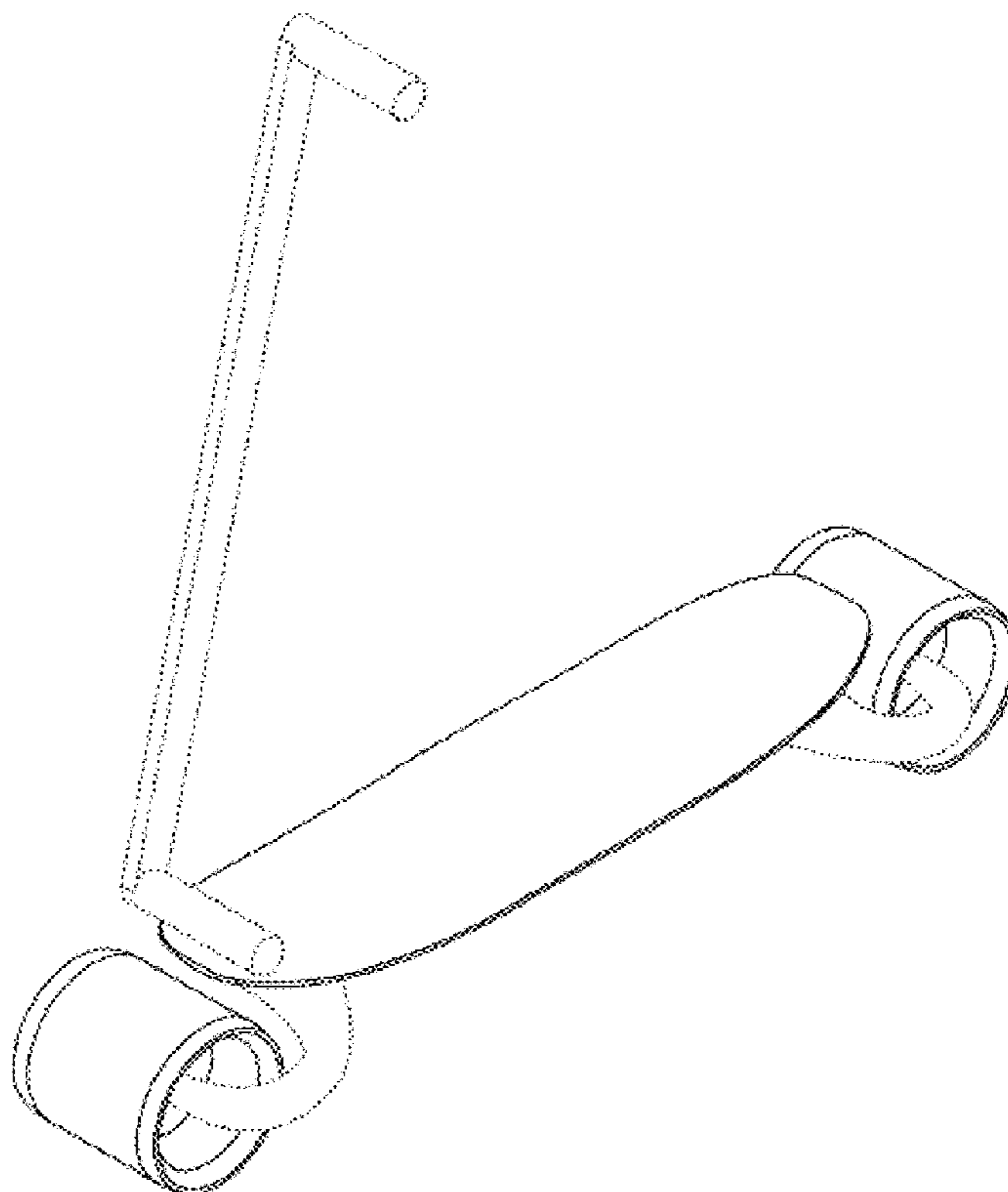
(57) **CLAIM**

The ornamental design for a skateboard, as shown and described.

**DESCRIPTION**

FIG. 1 is a perspective view of the skateboard;  
FIG. 2 is a left view thereof;  
FIG. 3 is a right view thereof;  
FIG. 4 is a front view thereof;  
FIG. 5 is a rear view thereof;  
FIG. 6 is a top view thereof; and,  
FIG. 7 is a bottom view thereof.  
The broken lines shown in the figures are included to show portions of the skateboard that form no part of the claimed design.

**1 Claim, 5 Drawing Sheets**



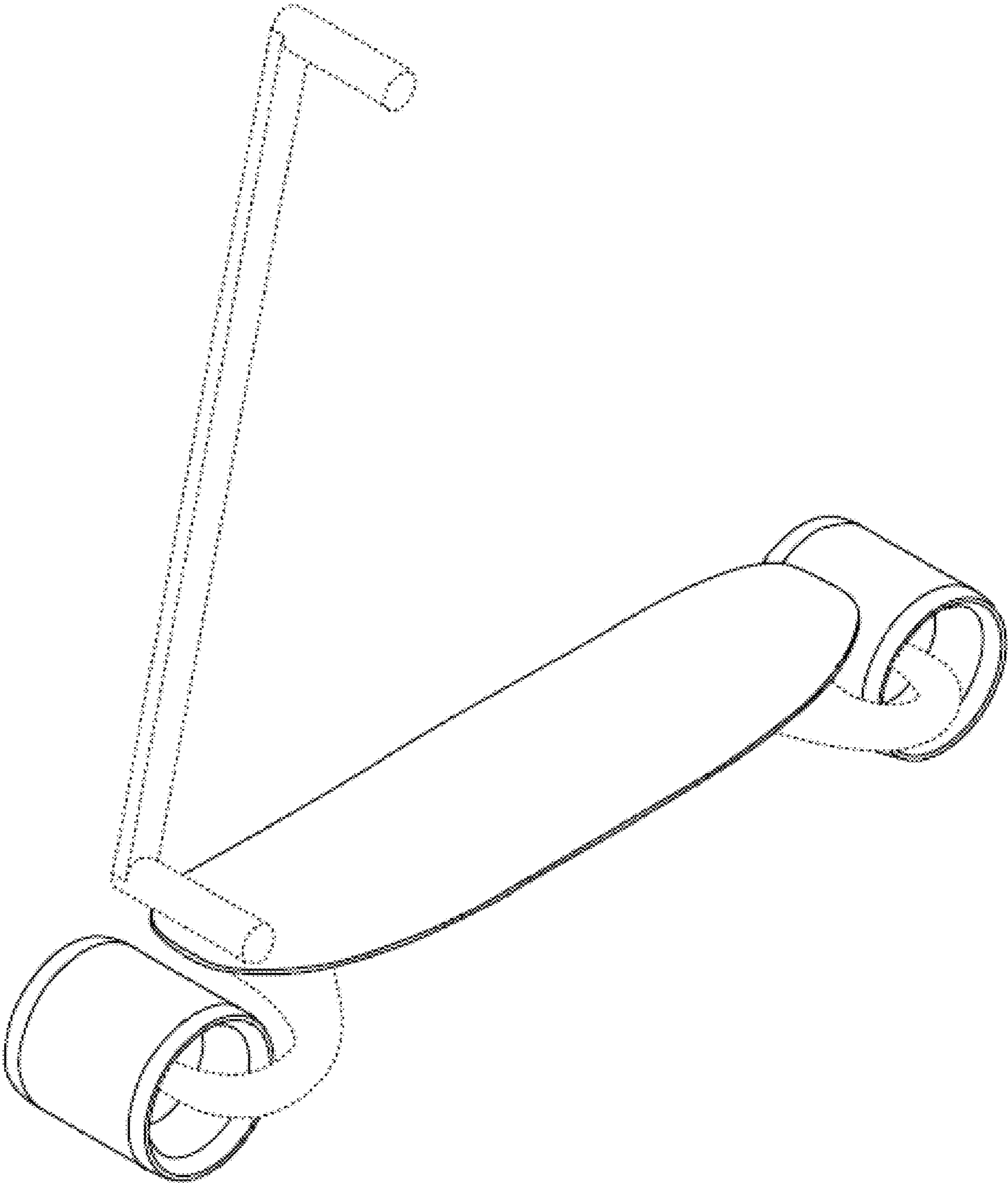


FIG. 1

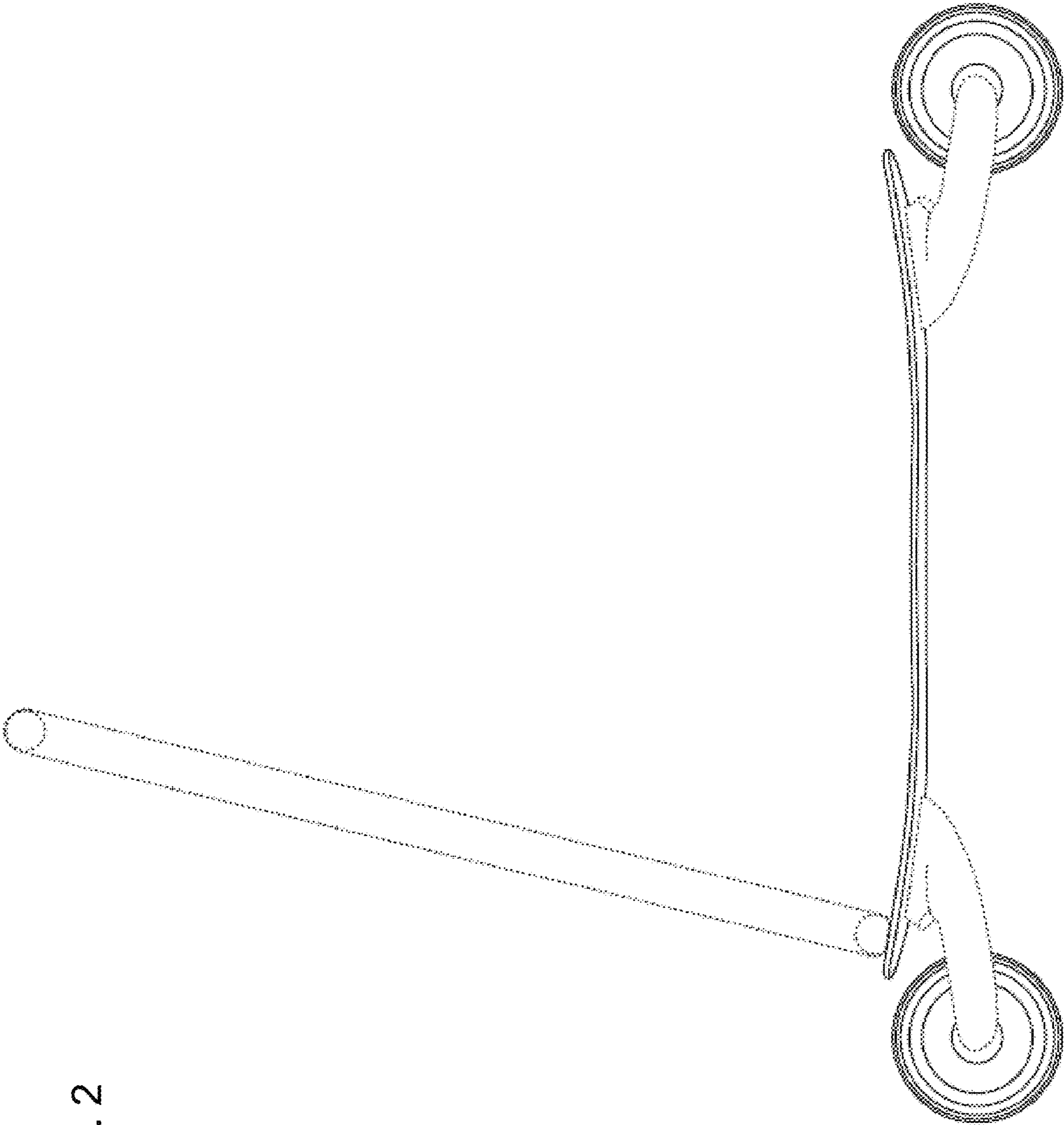


FIG. 2

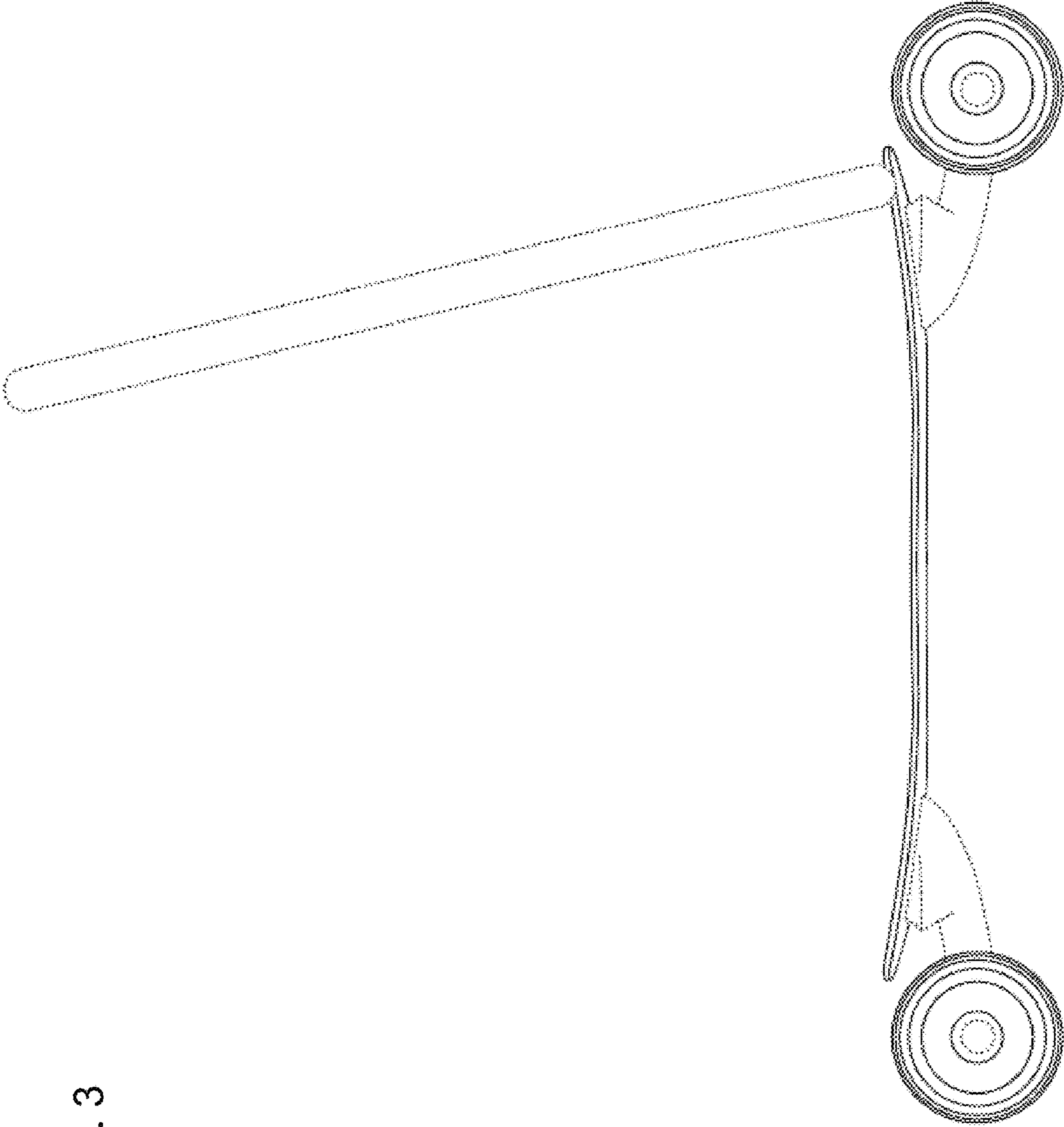


FIG. 3

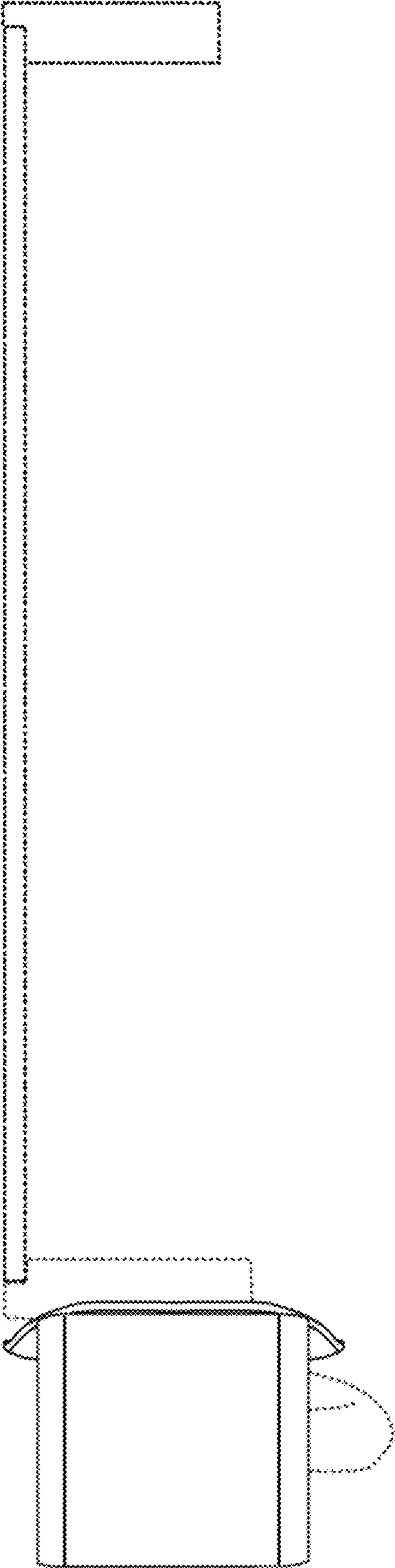


FIG. 4

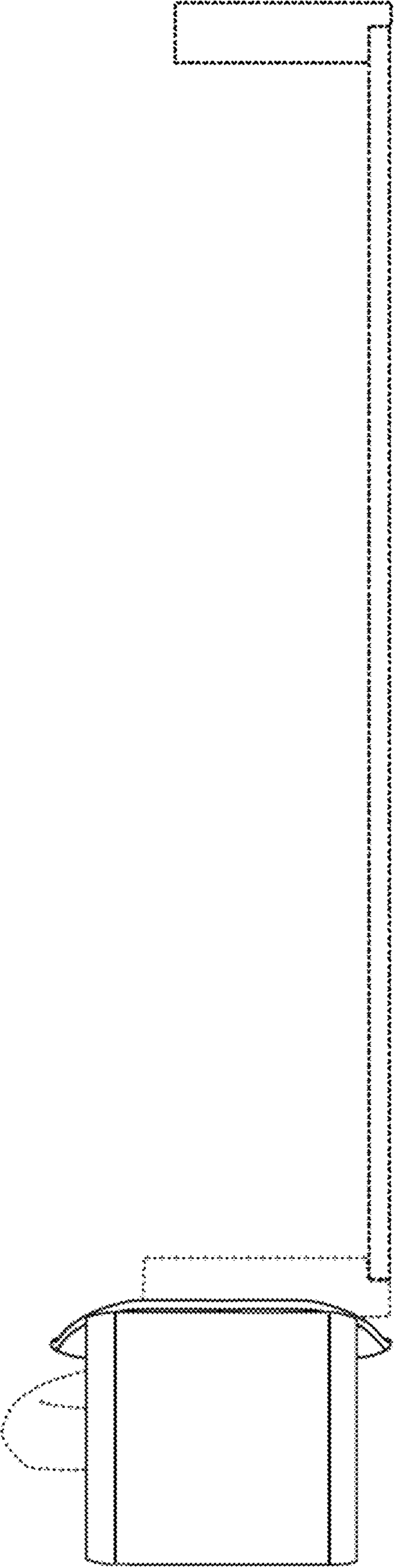


FIG. 5

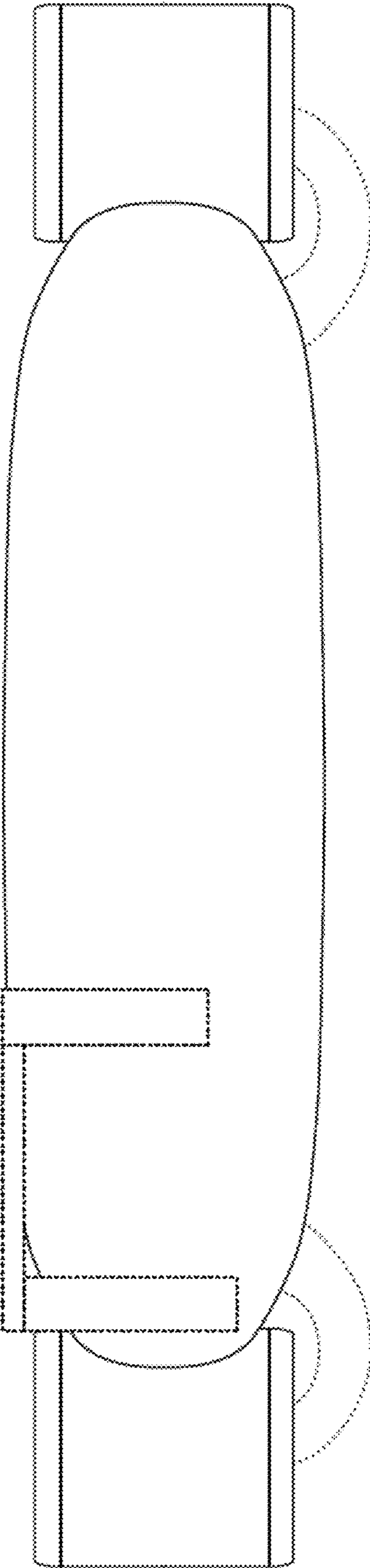


FIG. 6

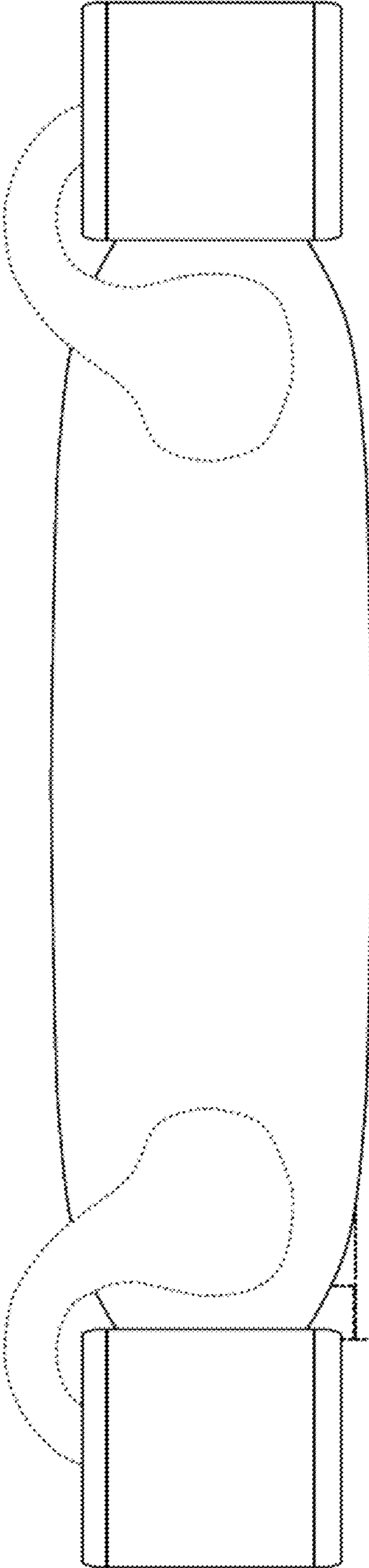


FIG. 7