



US00D892240S

(12) **United States Design Patent** (10) **Patent No.:** **US D892,240 S**  
**Sergakis** (45) **Date of Patent:** **\*\* Aug. 4, 2020**

- (54) **ARTICULATING HOLDER**
- (71) Applicant: **Coulter Ventures, LLC**, Columbus, OH (US)
- (72) Inventor: **Emmanuel Sergakis**, Plain City, OH (US)
- (73) Assignee: **Coulter Ventures, LLC.**, Columbus, OH (US)
- (\*\*) Term: **15 Years**
- (21) Appl. No.: **29/673,349**
- (22) Filed: **Dec. 13, 2018**
- (51) **LOC (12) Cl.** ..... **21-02**
- (52) **U.S. Cl.**  
USPC ..... **D21/694**
- (58) **Field of Classification Search**  
USPC ..... D21/673, 686, 691, 694; D8/349; D14/452  
CPC ..... A63B 2071/0063; A63B 21/00047; A63B 23/03541; A63B 26/00; F16B 2/10  
See application file for complete search history.

(56) **References Cited**

**U.S. PATENT DOCUMENTS**

- D236,584 S \* 9/1975 Svahn et al. .... D8/349
- 5,194,060 A \* 3/1993 Marchetti ..... A63B 21/0615  
482/133
- D384,710 S \* 10/1997 Pahel ..... D21/694
- 5,713,549 A 2/1998 Shieh
- 5,720,695 A \* 2/1998 Eckmann ..... A63B 21/068  
248/227.3
- D394,482 S \* 5/1998 Colonello ..... D21/673
- D395,892 S 7/1998 Solomon
- D433,468 S 11/2000 Rojas et al.
- D435,852 S \* 1/2001 Oddsen, Jr. .... D14/452
- D439,292 S \* 3/2001 Webber ..... D21/694
- D456,865 S 5/2002 Caporali et al.
- 6,500,106 B1 \* 12/2002 Fulks ..... A63B 21/0615  
482/137

- 7,166,066 B2 \* 1/2007 Webber ..... A63B 21/00072  
482/100
- 7,267,314 B1 9/2007 Erickson
- 7,311,641 B2 \* 12/2007 Panagos ..... A63B 21/072  
482/106

(Continued)

**FOREIGN PATENT DOCUMENTS**

- CA 2748768 A1 2/2012
- FR 1123300 A 9/1956

**OTHER PUBLICATIONS**

Roguefitness, "Rogue Monster Landmine 2.0", Mar. 9, 2020. <https://www.roguefitness.com/rogue-monster-landmine-2-0>. Shown on p. 1. (Year: 2020).\*

(Continued)

*Primary Examiner* — Cynthia Ramirez  
*Assistant Examiner* — Michael A Maharajh  
(74) *Attorney, Agent, or Firm* — Banner & Witcoff, Ltd.

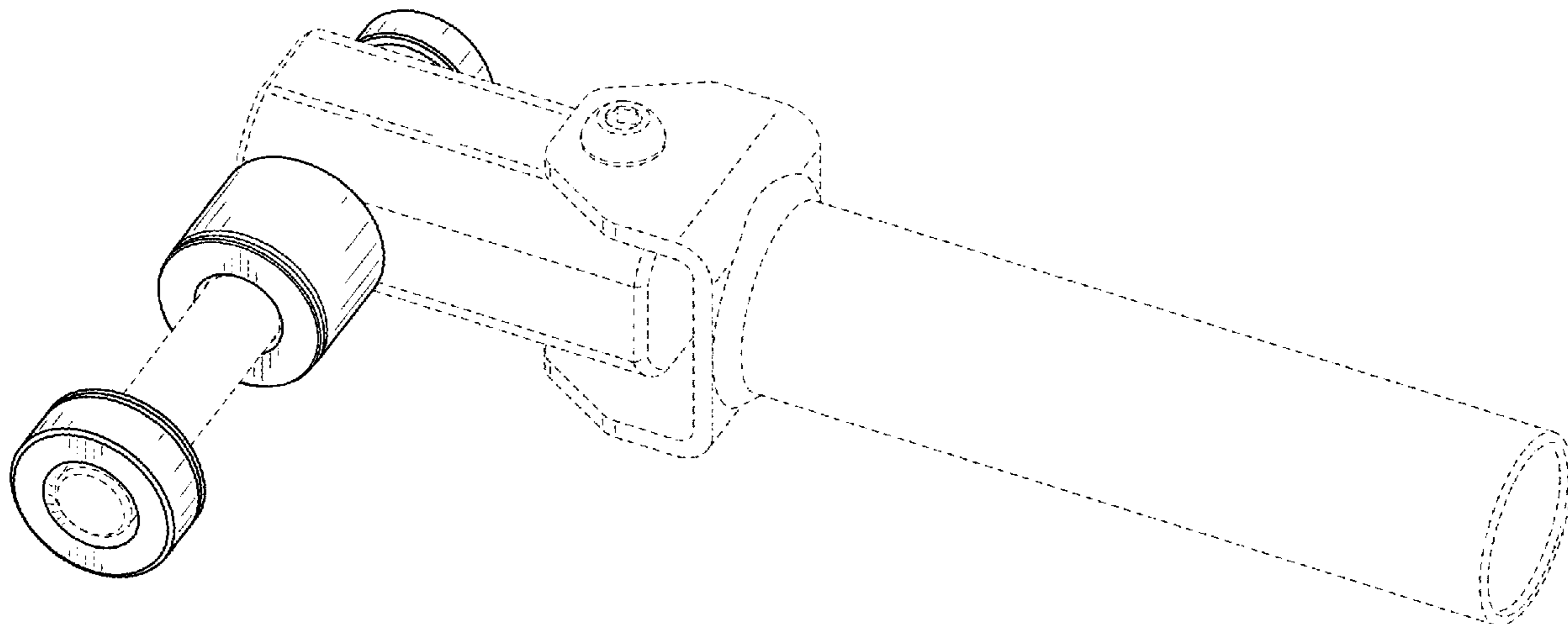
(57) **CLAIM**

The ornamental design for an articulating holder, as shown and described.

**DESCRIPTION**

FIG. 1 is a top, front, right perspective view of an articulating holder, showing my new design;  
FIG. 2 is a front view thereof;  
FIG. 3 is a left side view thereof;  
FIG. 4 is a right side view thereof;  
FIG. 5 is a rear view thereof;  
FIG. 6 is a top view thereof; and,  
FIG. 7 is a bottom view thereof.  
The broken lines in the drawings are for the purposes of illustrating portions of the articulating holder, which form no part of the claimed design.

**1 Claim, 5 Drawing Sheets**



(56)

References Cited

U.S. PATENT DOCUMENTS

7,341,545 B2 \* 3/2008 Cao ..... A63B 21/15  
403/150  
D568,324 S 5/2008 Stenhouse et al.  
D577,729 S \* 9/2008 Derry ..... D14/452  
D667,899 S \* 9/2012 Bronston ..... D21/662  
8,360,938 B2 \* 1/2013 Gilman ..... A63B 21/0615  
482/51  
8,496,566 B2 \* 7/2013 Casadei ..... A63B 21/055  
482/102  
D688,674 S \* 8/2013 Lau ..... D14/452  
D695,369 S \* 12/2013 Bennett ..... D21/694  
D730,459 S \* 5/2015 Tumminia ..... D21/694  
D743,244 S 11/2015 Anderson  
D772,356 S \* 11/2016 Orenstein ..... D21/686  
D797,868 S 9/2017 Thomas  
D806,808 S \* 1/2018 Gregory ..... D21/686  
D818,547 S \* 5/2018 Meredith ..... D21/686  
10,022,582 B2 7/2018 Gangemi et al.  
10,118,437 B1 11/2018 Weaver  
10,226,659 B2 \* 3/2019 Stilson ..... A63B 21/0724  
D851,713 S \* 6/2019 Hubert ..... D21/686  
D852,907 S \* 7/2019 Sergakis ..... D21/686  
2004/0209752 A1 \* 10/2004 Thonn, Jr. .... A63B 21/00072  
482/140  
2005/0035253 A1 2/2005 Rixom  
2005/0266968 A1 \* 12/2005 Cao ..... A63B 21/15  
482/99  
2011/0079692 A1 4/2011 Li

2014/0087925 A1 \* 3/2014 Dupuis ..... A63B 21/062  
482/97  
2014/0121073 A1 \* 5/2014 Hardy ..... A63B 21/078  
482/104  
2014/0155228 A1 \* 6/2014 Salerno ..... A63B 69/004  
482/84  
2015/0011367 A1 \* 1/2015 Schmidt ..... A63B 21/078  
482/104  
2016/0016033 A1 \* 1/2016 Schrag ..... A63B 21/0087  
482/112  
2016/0045777 A1 \* 2/2016 Haggard ..... A63B 21/078  
482/104  
2016/0193495 A1 \* 7/2016 Nelson ..... A63B 21/159  
2016/0199688 A1 \* 7/2016 Briley ..... A63B 21/0615  
482/97  
2017/0007872 A1 \* 1/2017 Ho ..... A63B 21/028  
2019/0247701 A1 \* 8/2019 Sergakis ..... A63B 21/078  
2019/0275363 A1 \* 9/2019 Jones ..... A63B 23/03508

OTHER PUBLICATIONS

Product listing for Rogue Landmines from <https://web.archive.org/web/20170529135307/https://www.roguefitness.com/landmines>, dated May 29, 2017.  
Product listing for Rogue Post Landmine from <https://web.archive.org/web/20170424011516/https://www.roguefitness.com/post-landmine>, dated Apr. 24, 2017.  
Product listing for Rogue Monster Landmine from <https://web.archive.org/web/20170717115336/http://www.roguefitness.com/rogue-monster-landmine>, dated Jul. 17, 2017.

\* cited by examiner

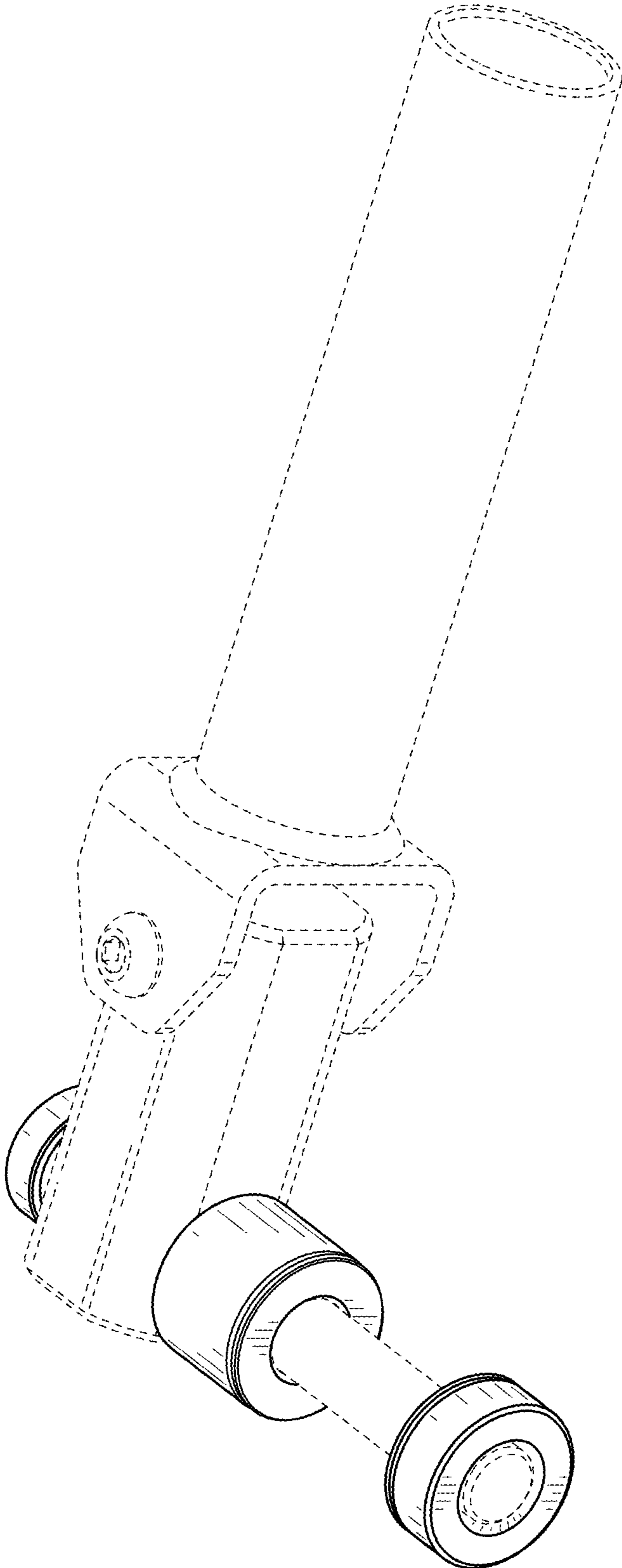


FIG. 1

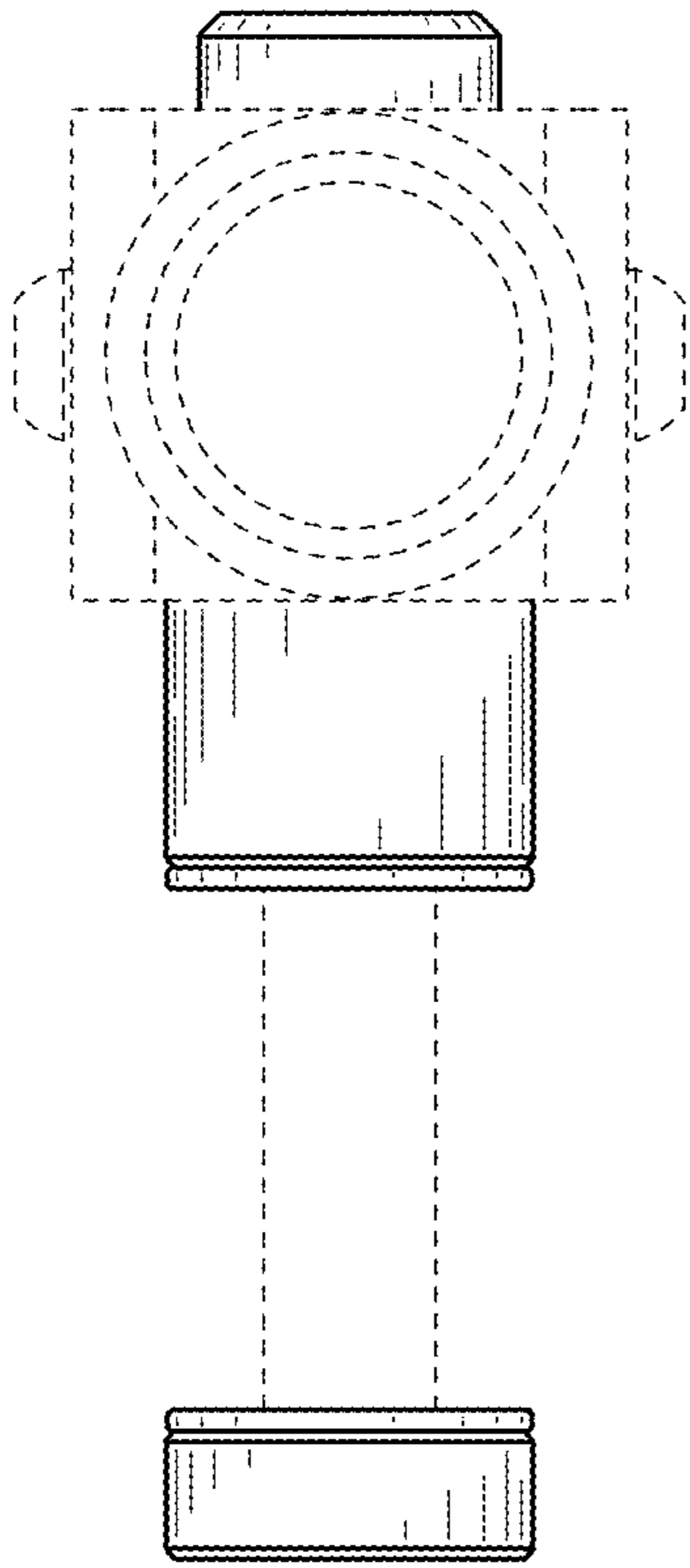


FIG. 2

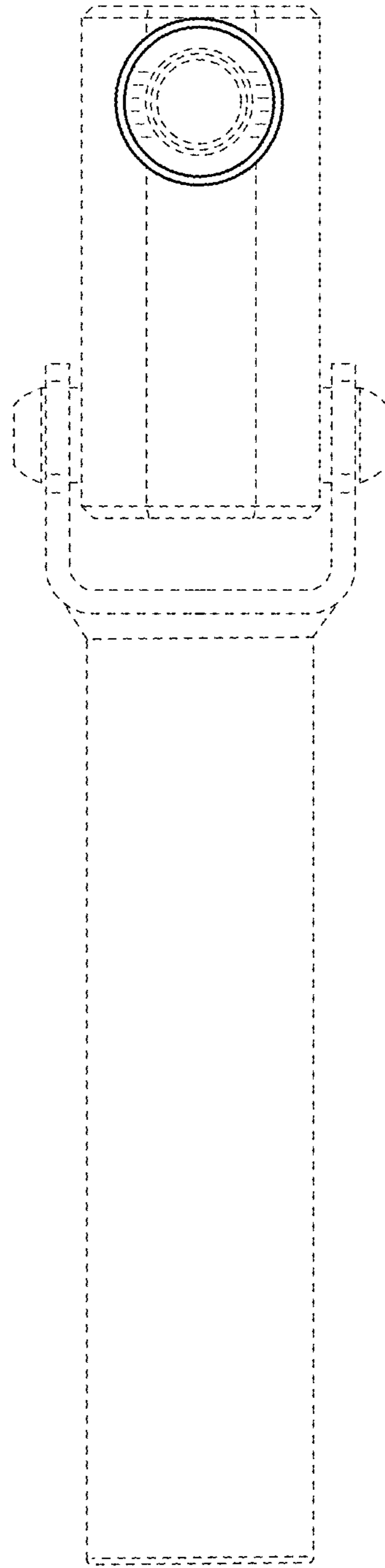


FIG. 3

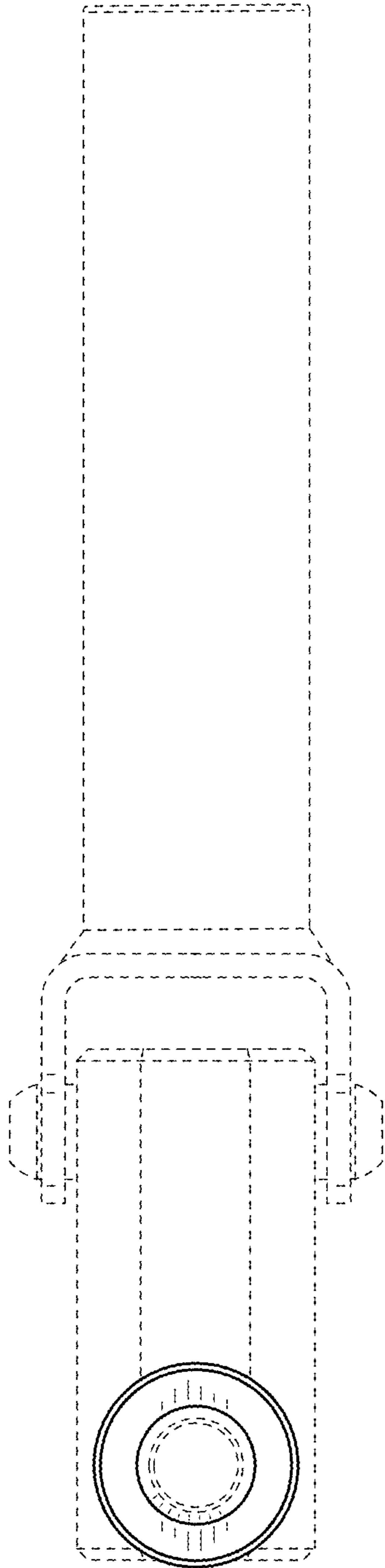


FIG. 4

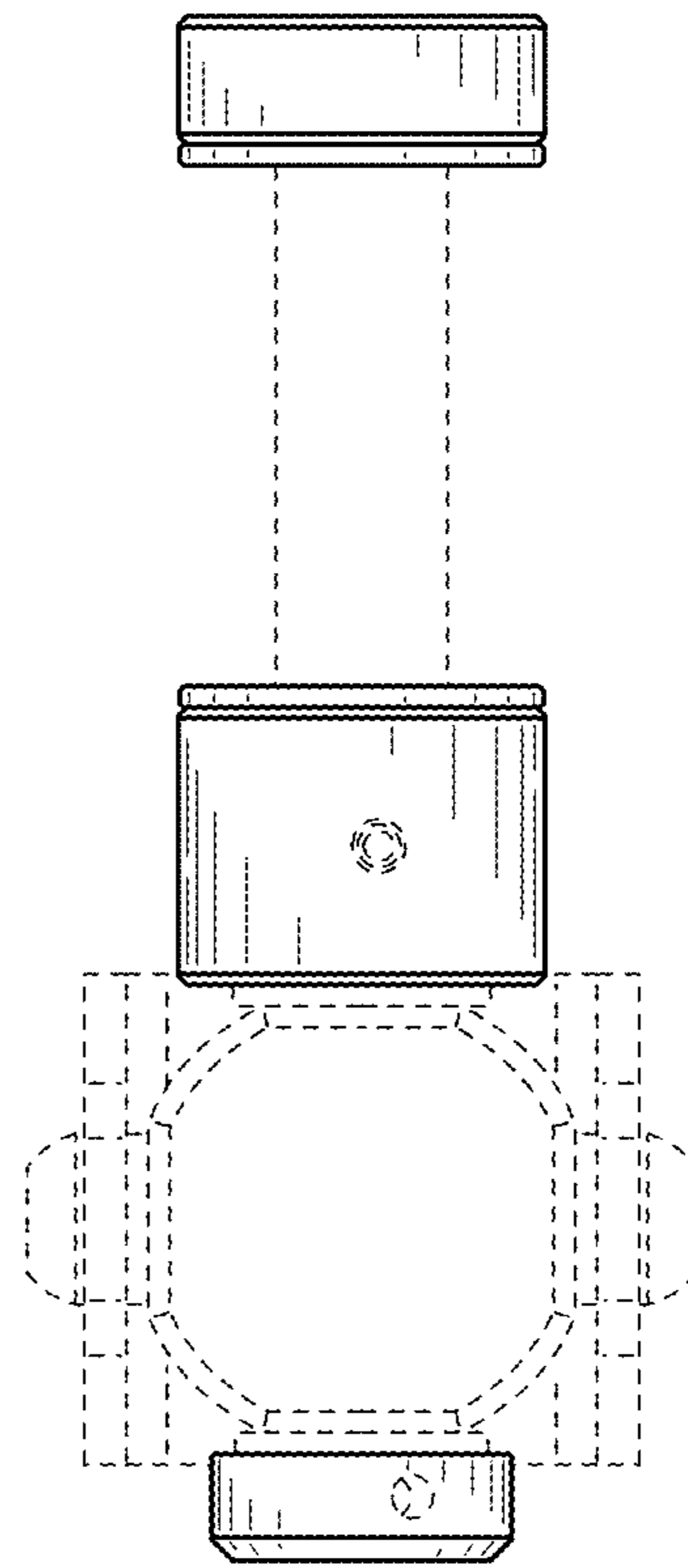


FIG. 5

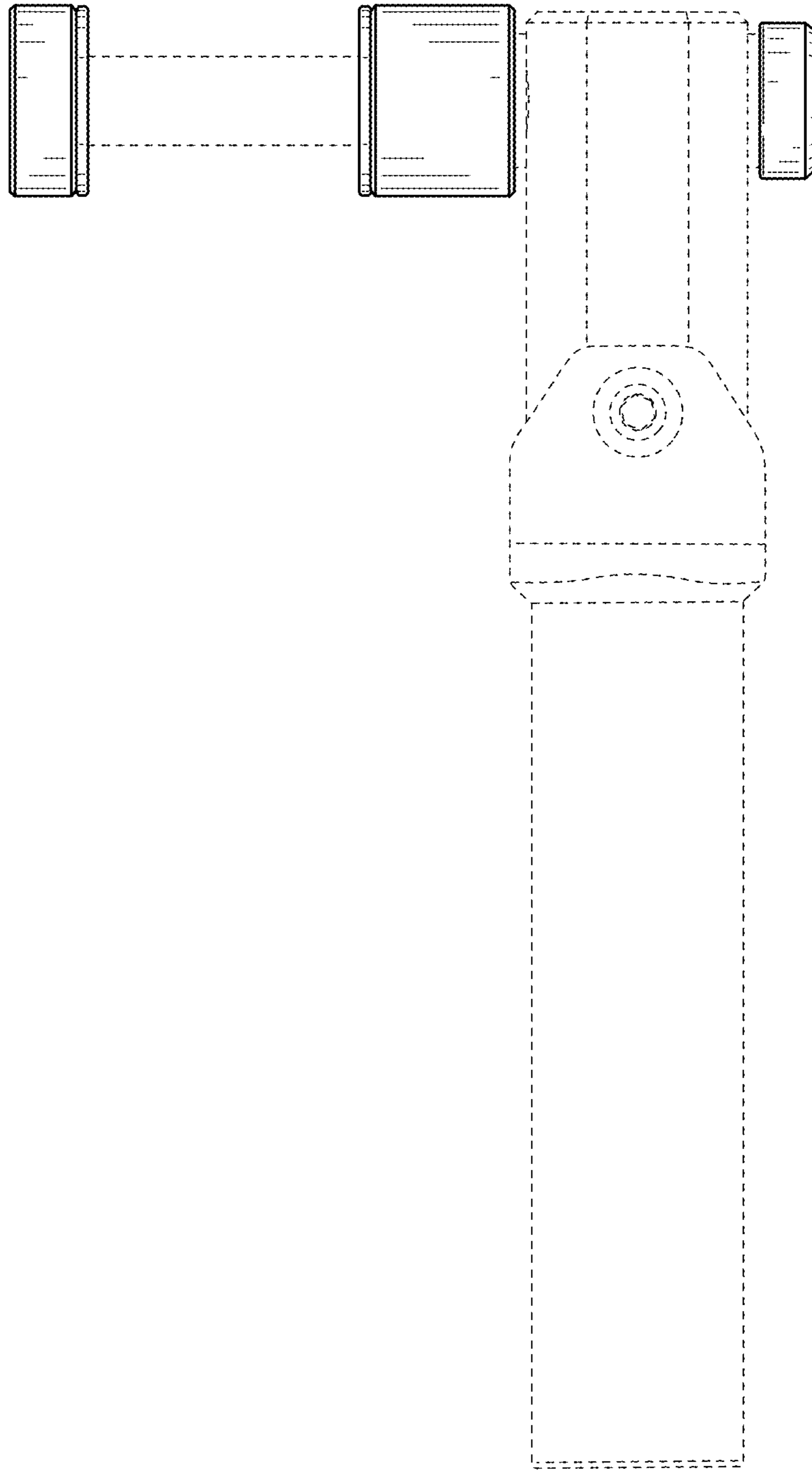


FIG. 6



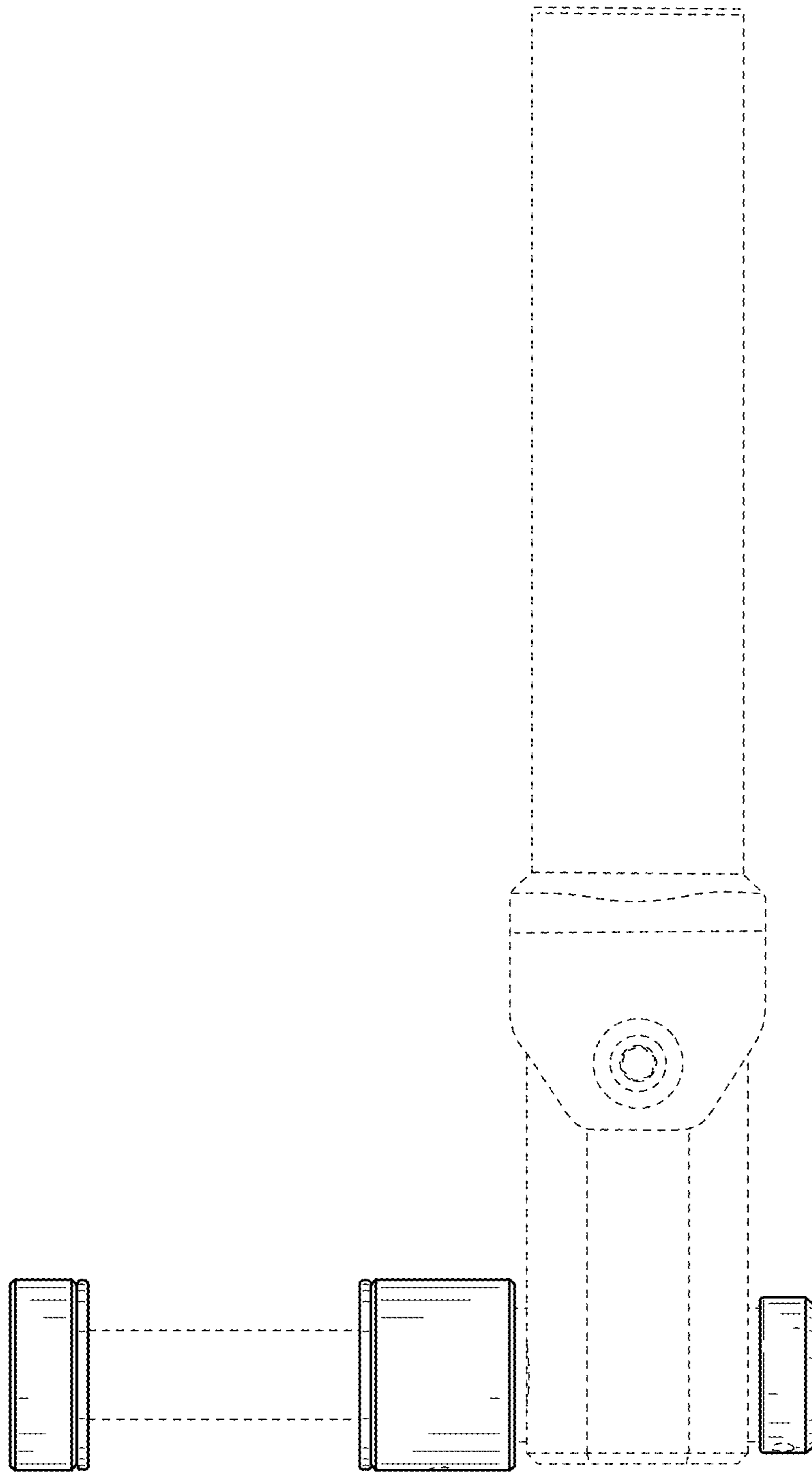


FIG. 7