



US00D892239S

(12) **United States Design Patent**
Carmichael et al.

(10) **Patent No.:** **US D892,239 S**

(45) **Date of Patent:** **** Aug. 4, 2020**

(54) **HANDLE BRACKET**

- (71) Applicant: **Coulter Ventures, LLC**, Columbus, OH (US)
- (72) Inventors: **James Carmichael**, Hilliard, OH (US); **Emmanuel Sergakis**, Plain City, OH (US); **Bryan Adams**, Columbus, OH (US); **Ahmik Jones**, Upper Arlington, OH (US)
- (73) Assignee: **Coulter Ventures, LLC.**, Columbus, OH (US)

(**) Term: **15 Years**

(21) Appl. No.: **29/667,366**

(22) Filed: **Oct. 19, 2018**

(51) **LOC (12) Cl.** **21-02**

(52) **U.S. Cl.**
USPC **D21/694**

(58) **Field of Classification Search**
 USPC D21/662, 665, 673, 676, 694; D8/300, D8/303; D12/178
 CPC A63B 21/0724; A63B 21/4033; A63B 2022/067; A63B 21/026; A63B 23/1227; A63B 1/00; B25G 1/10
 See application file for complete search history.

(56) **References Cited**

U.S. PATENT DOCUMENTS

2,067,403 A	1/1937	Lea	
4,286,782 A	9/1981	Fuhrhop	
D262,730 S *	1/1982	Lambert, Jr.	D21/694
D262,814 S *	1/1982	Lambert, Jr.	D21/694

(Continued)

FOREIGN PATENT DOCUMENTS

EP	2345459 A1	7/2011
EP	3295998 A1	3/2018

(Continued)

OTHER PUBLICATIONS

Youtube, "The Rogue LT 1 50 Cal Trolley and Lever Arm Kit", Oct. 19, 2018. <https://www.youtube.com/watch?v=-yDzva8uDW8>. Shown at the 0:25 minute mark. (Year: 2018).*

(Continued)

Primary Examiner — Cynthia Ramirez

Assistant Examiner — Michael A Maharajh

(74) *Attorney, Agent, or Firm* — Banner & Witcoff, Ltd.

(57) **CLAIM**

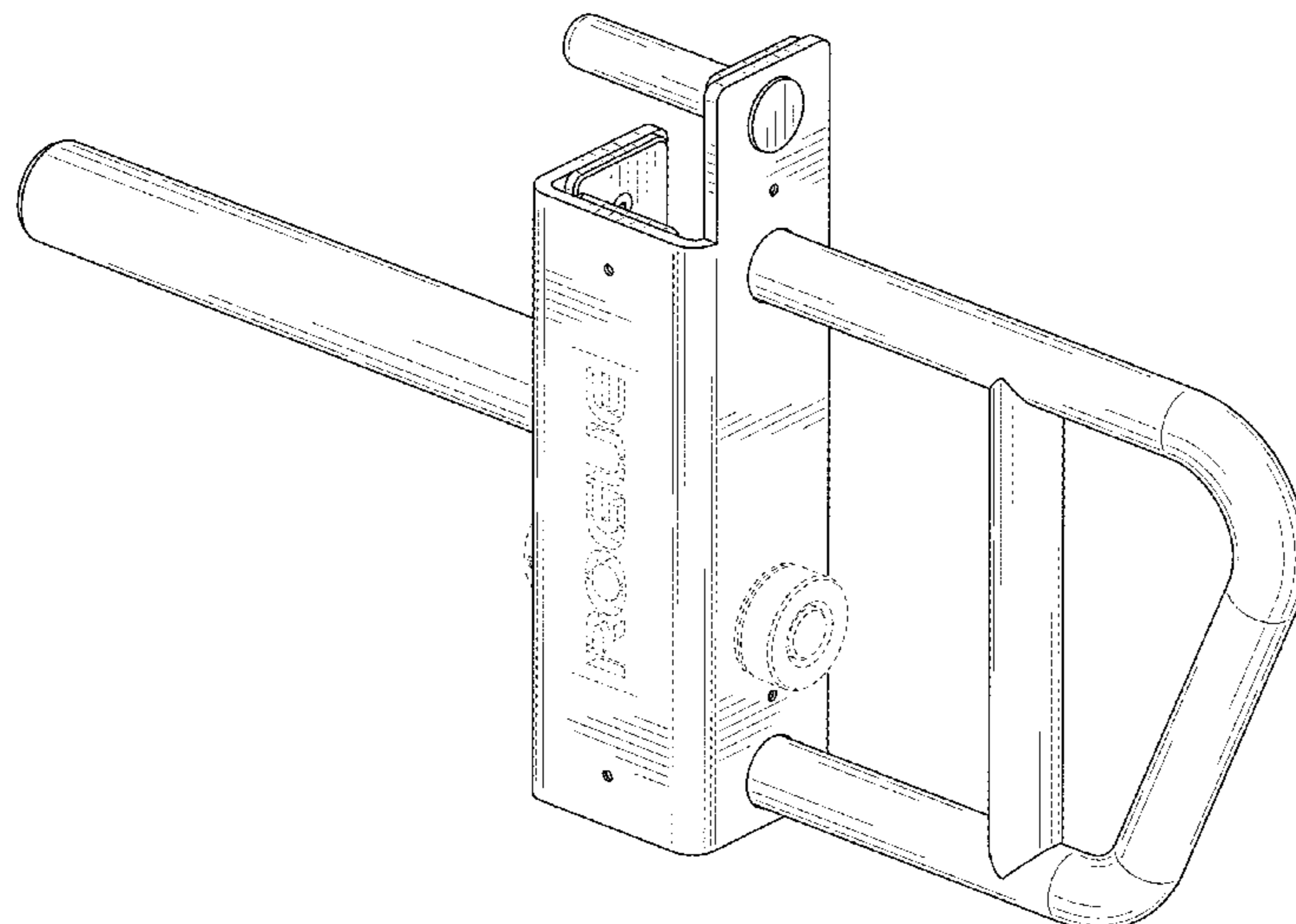
The ornamental design for a handle bracket, as shown and described.

DESCRIPTION

FIG. 1 is a top, front, left perspective view of a right-side handle bracket showing our new design;
 FIG. 2 is a left side view thereof;
 FIG. 3 is a rear view thereof;
 FIG. 4 is a front view thereof;
 FIG. 5 is a right side view thereof;
 FIG. 6 is a top view thereof;
 FIG. 7 is a bottom view thereof;
 FIG. 8 is a top, front, right perspective view of a left-side handle bracket showing our new design;
 FIG. 9 is a right side view thereof;
 FIG. 10 is a front view thereof;
 FIG. 11 is a rear view thereof;
 FIG. 12 is a left side view thereof;
 FIG. 13 is a top view thereof; and,
 FIG. 14 is a bottom view thereof.

The broken lines depicting the remainder of each handle bracket show portions that form no part of the claimed design. The broken lines showing lettering in FIGS. 1, 4, 8 and 10 show features of example environment that form no part of the claimed design.

1 Claim, 12 Drawing Sheets



(56)

References Cited

U.S. PATENT DOCUMENTS

D262,815 S * 1/1982 Lambert, Jr. 482/139
 4,339,125 A 7/1982 Uyeda et al.
 4,492,375 A 1/1985 Connelly
 4,582,320 A 4/1986 Shaw
 4,635,934 A 1/1987 Roethke
 4,856,775 A 8/1989 Colledge et al.
 4,943,052 A * 7/1990 Powers A63B 21/0724
 482/106
 4,955,604 A 9/1990 Pogue
 5,050,868 A 9/1991 Pearson
 5,076,578 A * 12/1991 Askonen A63B 23/12
 482/139
 5,116,297 A 5/1992 Stonecipher
 5,135,453 A 8/1992 Sollenberger
 5,184,992 A 2/1993 Banks
 5,273,509 A * 12/1993 Vittone A63B 21/06
 482/101
 D358,623 S 5/1995 Macasieb
 5,529,558 A 6/1996 Koenig
 5,569,133 A 10/1996 Vittone
 5,722,922 A 3/1998 Watterson et al.
 5,971,897 A 10/1999 Olson et al.
 D429,783 S * 8/2000 Cray D21/679
 D439,292 S * 3/2001 Webber D21/694
 6,217,483 B1 4/2001 Kallassy
 6,238,323 B1 5/2001 Simonson
 6,261,205 B1 7/2001 Elefson
 6,394,935 B1 5/2002 Lake
 6,447,430 B1 9/2002 Webb et al.
 6,482,139 B1 11/2002 Haag
 D473,273 S * 4/2003 Crawford D12/178
 D489,601 S 5/2004 Meeker
 D517,134 S * 3/2006 Panatta D21/676
 D518,701 S * 4/2006 Porth D8/300
 D520,922 S * 5/2006 Forcillo D12/178
 D527,776 S * 9/2006 Willardson D21/694
 D550,790 S 9/2007 Staten
 D550,791 S 9/2007 Rogers et al.
 D550,792 S 9/2007 Rogers et al.
 D551,306 S 9/2007 Rogers et al.
 D554,209 S * 10/2007 Loucks D21/691
 D554,715 S * 11/2007 Giannelli D21/694
 7,488,277 B1 2/2009 Knapp
 7,549,950 B1 6/2009 Lundquist et al.
 D629,343 S * 12/2010 Carlini D12/178
 D634,378 S * 3/2011 Iverson D12/178
 8,057,368 B1 11/2011 Lyszczarz
 8,096,926 B1 1/2012 Batca
 8,172,733 B1 5/2012 Batca
 D687,753 S * 8/2013 Carlini D12/178
 D711,209 S * 8/2014 Fischer B25G 1/102
 D8/300
 8,827,875 B2 9/2014 Schiano
 D726,607 S * 4/2015 Rickard D12/178
 9,011,301 B2 4/2015 Balandis et al.
 9,028,381 B2 5/2015 Mestemaker
 9,119,989 B1 * 9/2015 Lagree A63B 21/4001
 9,289,638 B2 3/2016 Towley, III et al.
 9,302,139 B2 4/2016 Habing et al.
 9,421,413 B2 8/2016 Staten et al.
 D769,991 S 10/2016 Thomas
 D772,356 S 11/2016 Gregory
 D781,452 S 3/2017 Bokros
 9,597,545 B1 * 3/2017 Lagree A63B 21/15
 D795,973 S * 8/2017 Bush D12/178
 D795,974 S * 8/2017 Bush D12/178
 D795,975 S * 8/2017 Bush D12/178
 D806,808 S 1/2018 Gregory
 D808,475 S 1/2018 Meredith et al.
 D815,305 S 4/2018 Alvarado et al.
 D842,675 S * 3/2019 Raymond D8/303
 D844,513 S * 4/2019 Izaz D12/178
 D849,160 S 5/2019 Lau
 D855,720 S 8/2019 Kuka
 D856,442 S * 8/2019 Haquet D21/662

D874,585 S * 2/2020 Pellegrino D21/694
 2002/0098954 A1 * 7/2002 Buechel A63B 3/00
 482/96
 2003/0115955 A1 6/2003 Keiser
 2003/0134723 A1 7/2003 Greenland
 2005/0054493 A1 3/2005 Skilken et al.
 2005/0202941 A1 9/2005 Vaes
 2005/0227835 A1 * 10/2005 Hazan A63B 21/02
 482/140
 2005/0250619 A1 * 11/2005 Daikeler A63B 1/00
 482/40
 2006/0035765 A1 2/2006 Smith
 2006/0040799 A1 2/2006 Pompile
 2006/0183607 A1 8/2006 Collias
 2006/0252615 A1 11/2006 Melcer
 2007/0054785 A1 3/2007 Drechsler
 2007/0155595 A1 7/2007 Rogers et al.
 2007/0155596 A1 7/2007 Rogers et al.
 2008/0113852 A1 5/2008 Caldwell
 2009/0143203 A1 6/2009 Knapp
 2010/0216610 A1 8/2010 Gedeon-Janvier
 2010/0292057 A1 11/2010 Dunn
 2012/0238418 A1 * 9/2012 Reyes A63B 21/08
 482/121
 2012/0289384 A1 11/2012 Staten et al.
 2012/0329613 A1 12/2012 Schiano
 2013/0035220 A1 2/2013 Adams
 2013/0203566 A1 * 8/2013 Finestein A63B 21/012
 482/114
 2013/0296143 A1 11/2013 Staten et al.
 2013/0296146 A1 11/2013 Staten et al.
 2014/0087928 A1 3/2014 Luedeka
 2014/0256517 A1 9/2014 Poppinga
 2015/0016919 A1 1/2015 Tambornino et al.
 2015/0083681 A1 3/2015 Childs
 2015/0126335 A1 5/2015 Gilson et al.
 2015/0141221 A1 5/2015 Delgado
 2015/0182773 A1 7/2015 Olson et al.
 2015/0290488 A1 10/2015 Hopperstad et al.
 2015/0352395 A1 12/2015 Gregory
 2016/0023035 A1 1/2016 Meyer
 2016/0074693 A1 * 3/2016 Henry A63B 21/068
 482/141
 2016/0199691 A1 * 7/2016 Hockridge A63B 23/0355
 482/96
 2016/0213967 A1 7/2016 Habing et al.
 2016/0256733 A1 * 9/2016 Lagree A63B 21/0407
 2017/0007877 A1 1/2017 Leipheimer
 2017/0056705 A1 3/2017 Zha et al.
 2017/0150786 A1 * 6/2017 Ness A44B 11/04
 2017/0157452 A1 * 6/2017 Lagree A63B 21/023
 2017/0189736 A1 7/2017 Martin
 2017/0246496 A1 8/2017 Nelson et al.
 2017/0274245 A1 * 9/2017 Cambridge, Sr. A63B 17/00
 2017/0312564 A1 * 11/2017 Perez Gomez A63B 71/0009
 2017/0340916 A1 * 11/2017 Gennusa A63B 21/068
 2018/0036573 A1 2/2018 Lennox et al.
 2018/0243597 A1 8/2018 Schlegel
 2019/0240521 A1 8/2019 Staten
 2019/0247701 A1 * 8/2019 Sergakis A63B 21/078
 2019/0275363 A1 9/2019 Jones et al.
 2019/0282851 A1 * 9/2019 Hockridge A63B 21/159

FOREIGN PATENT DOCUMENTS

FR 2630652 A1 11/1989
 GB 2346808 A 8/2000
 KR 200466889 Y1 5/2013
 KR 20140060130 A 5/2014
 WO 9842411 A1 10/1998
 WO 201893699 A1 5/2018
 WO 2018208772 A1 11/2018

OTHER PUBLICATIONS

Photo from <https://web.archive.org/web/20170112075250/https://mydynamicfitness.com>, dated Jan. 12, 2017.

(56)

References Cited

OTHER PUBLICATIONS

Screenshots from <https://www.youtube.com/watch?v=A4xv8OhVbzl>, dated May 17, 2018.

Product promotional materials for Dynamic Fitness Ultra Pro Rack Series from <https://web.archive.org/web/20170112075250/https://mydynamicfitness.com>, dated Jan. 12, 2017.

Product listing for Rogue Monster Lever Arms from <https://web.archive.org/web/20160529110340/http://www.roguefitness.com/monster-lever-arms>, dated May 29, 2016.

Product listing for Rogue Monster Lever Arms from <https://web.archive.org/web/20161111082206/http://www.roguefitness.com/monster-lever-arms>, dated Nov. 11, 2016.

Jul. 23, 2019—(WO) International Search Report & Written Opinion—App PCT/US2019/021017.

Sorinex Exercise Equipment: “Base camp jammer arms adjustable attachment point”, Feb. 27, 2018 (Feb. 27, 2018), pp. 1-3, Retrieved from the Internet: URL:<https://www.facebook.com/sorinex.strength/videos/base-camp-jammer-arms-adjustable-attachment-point/10158262519208647/>.

* cited by examiner

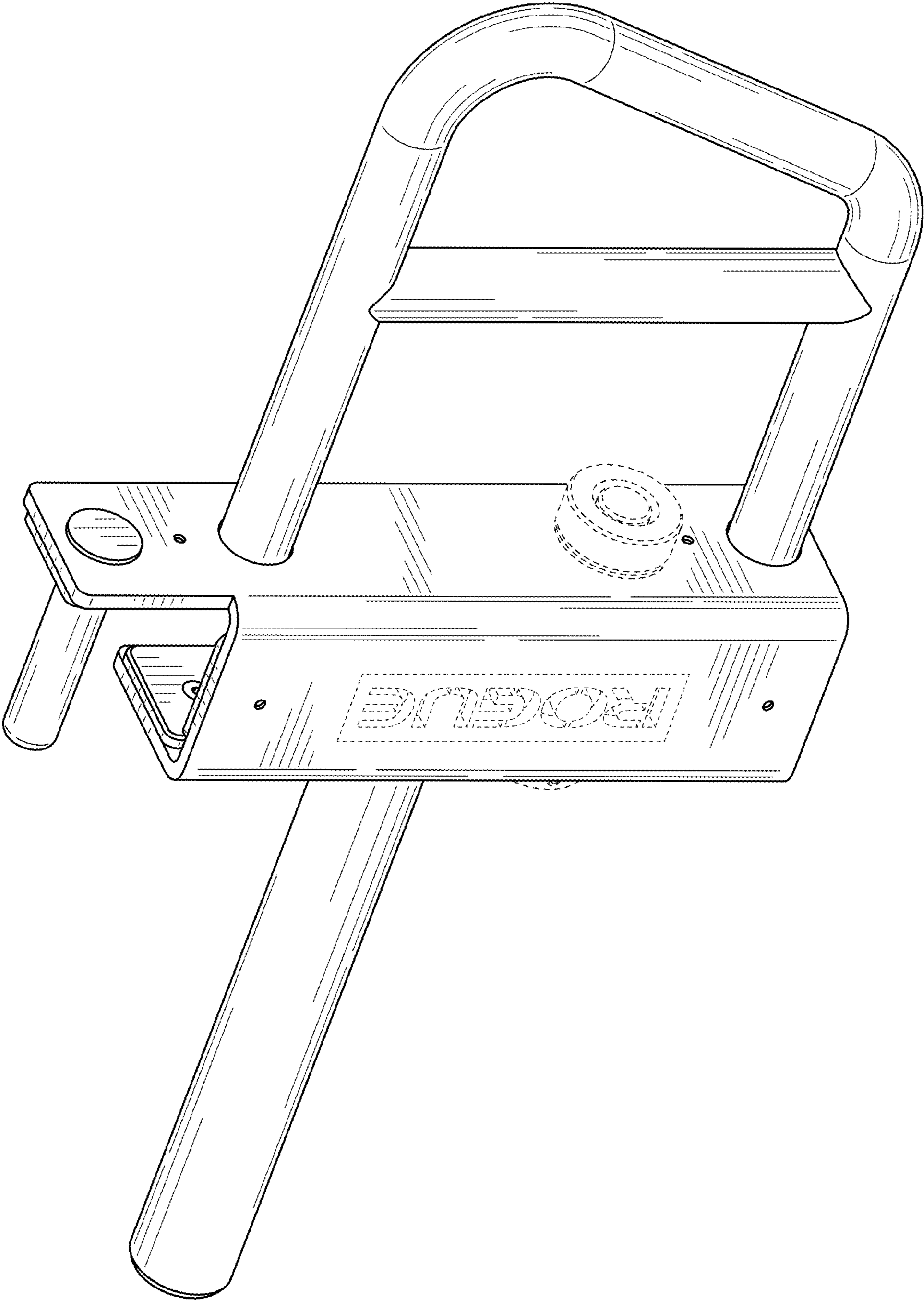


FIG. 1

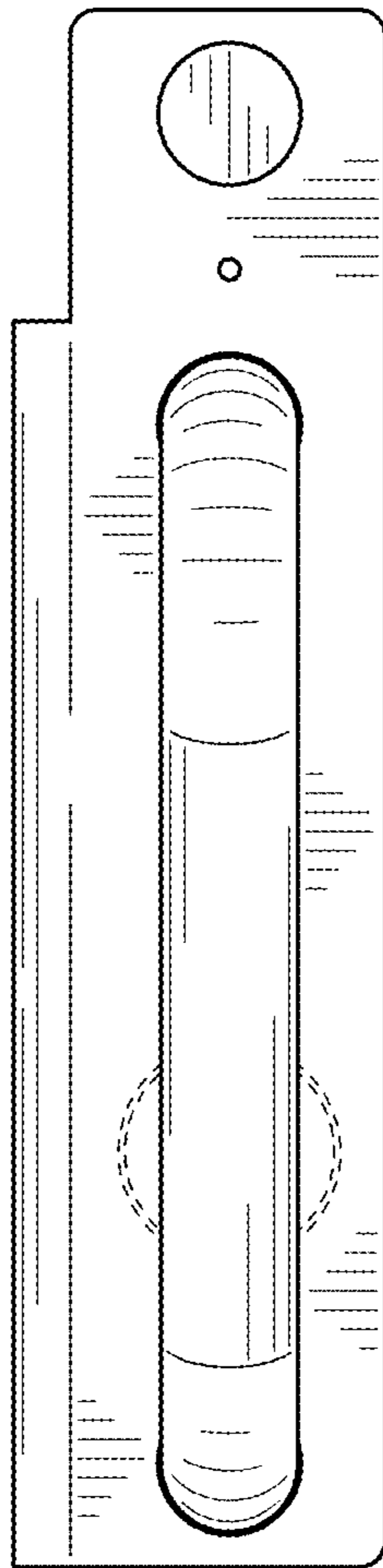


FIG. 2

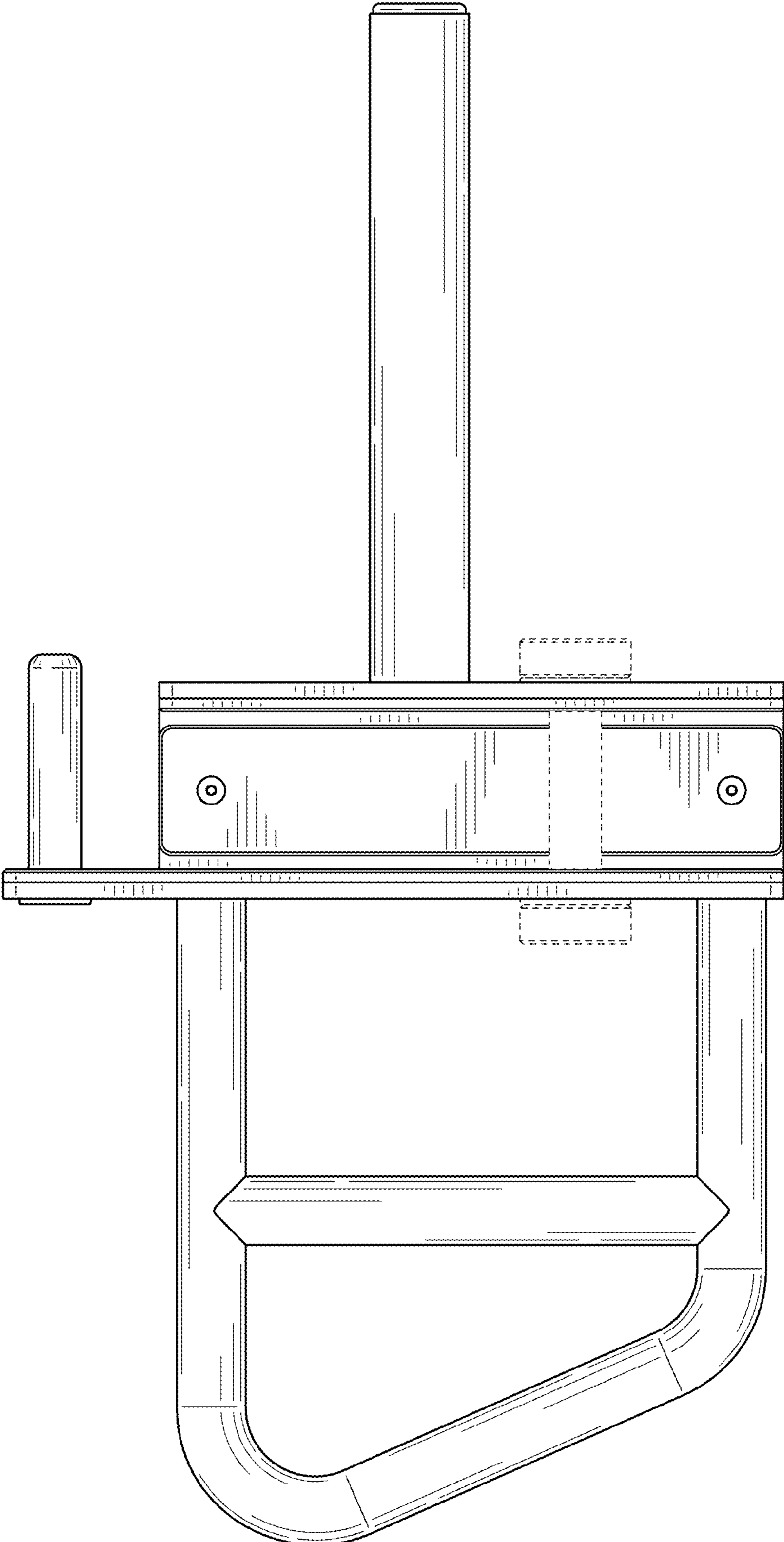


FIG. 3

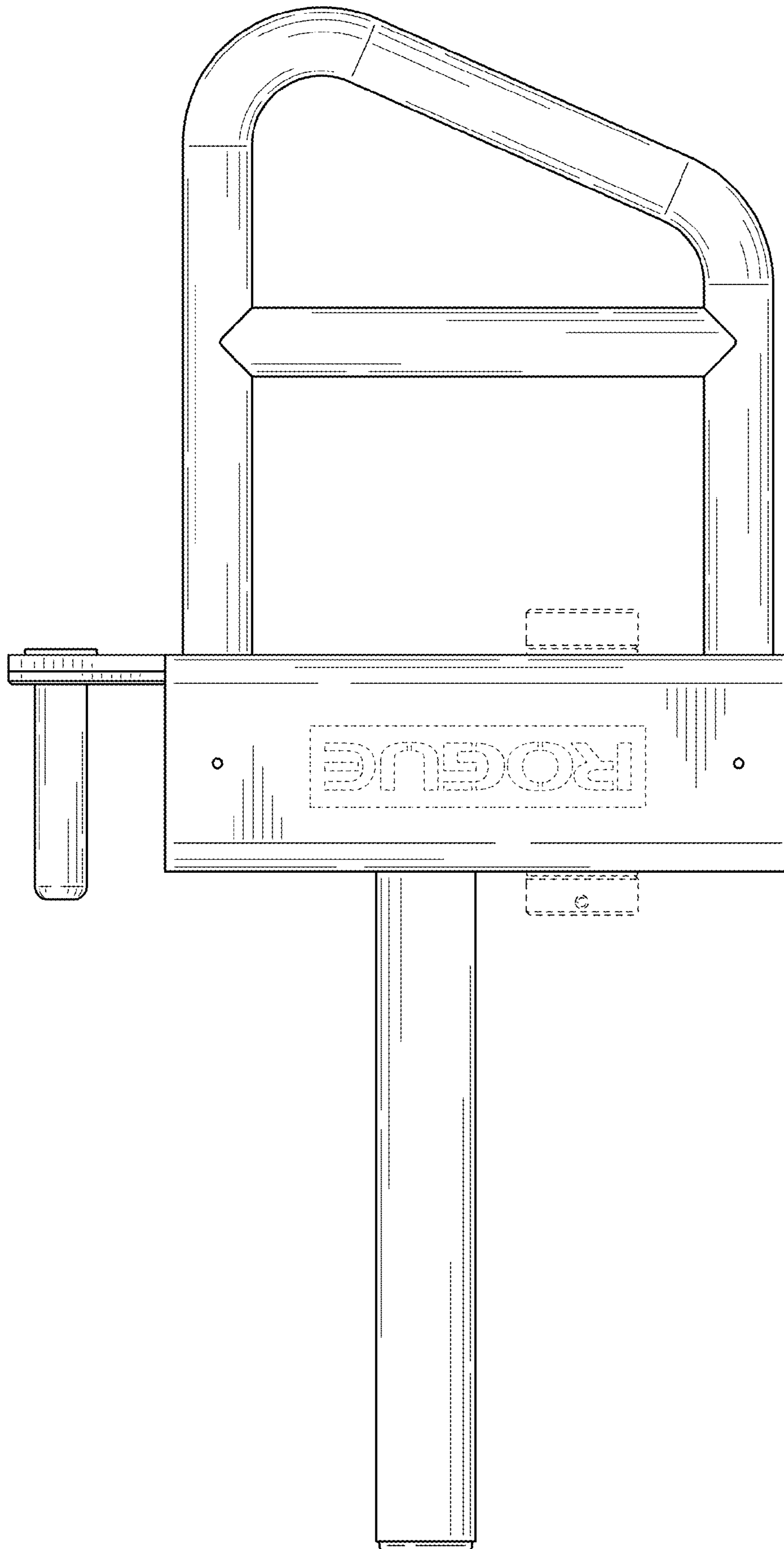


FIG. 4

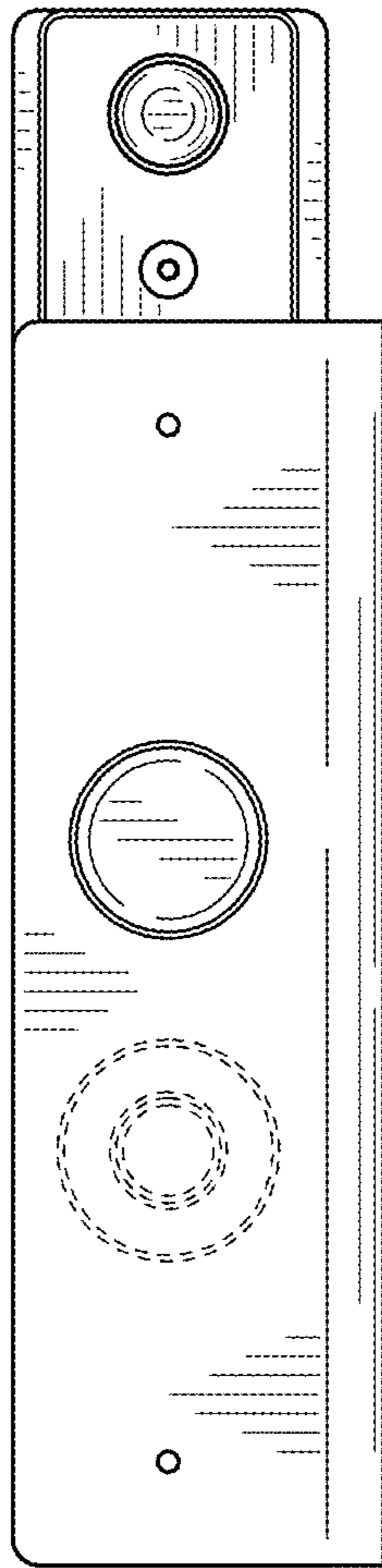


FIG. 5

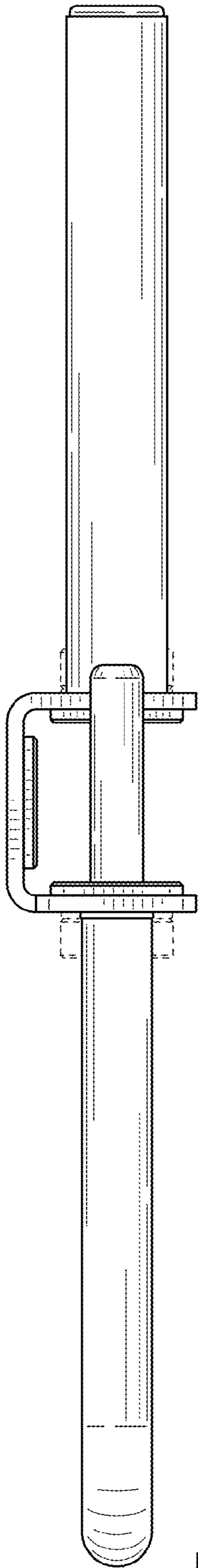


FIG. 6

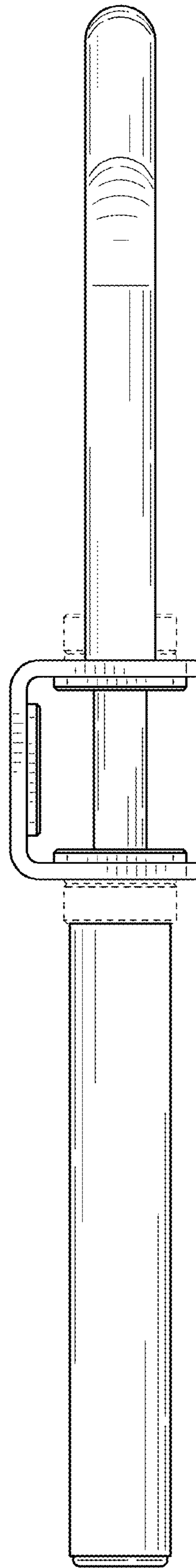


FIG. 7

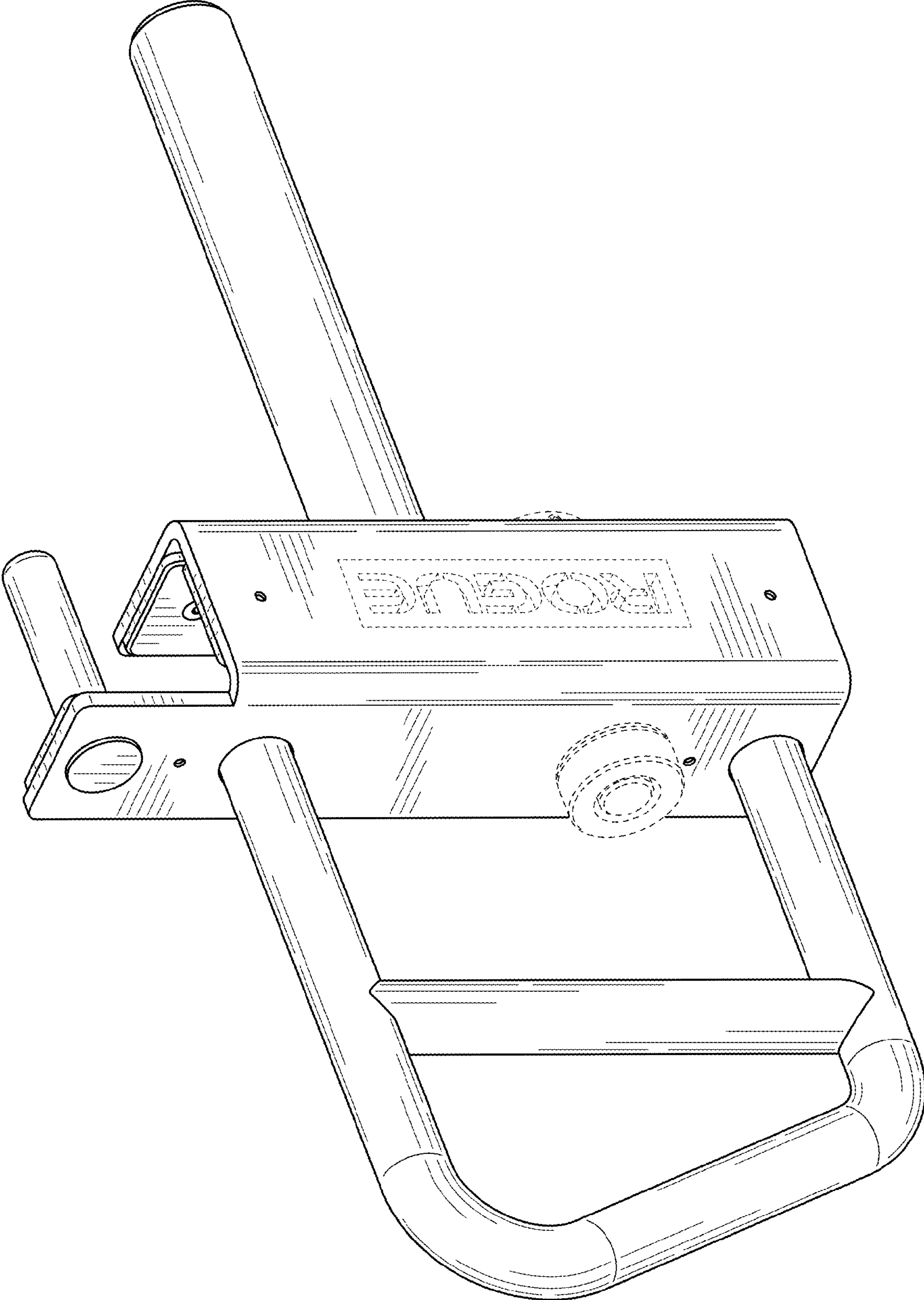


FIG. 8

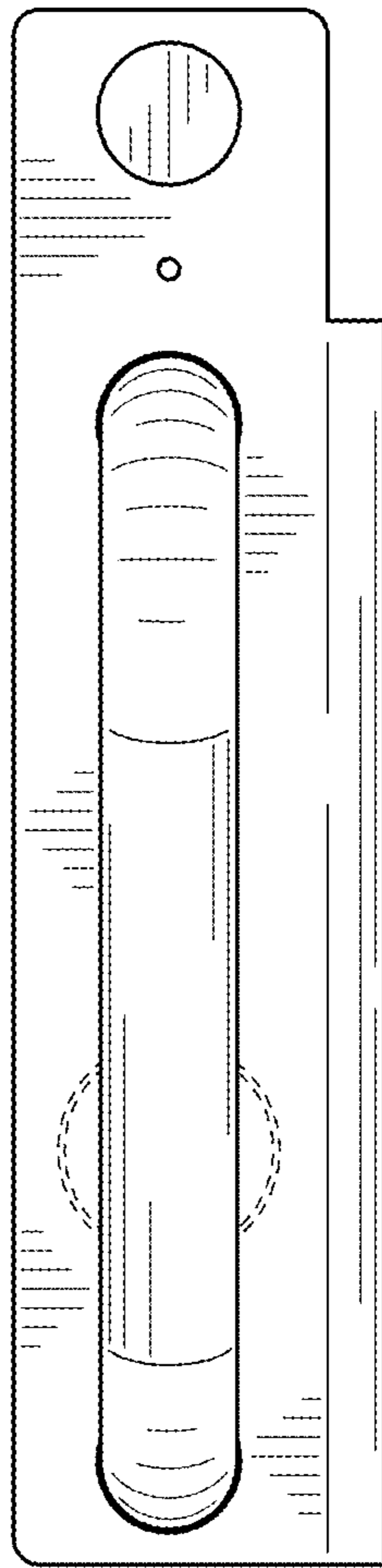


FIG. 9

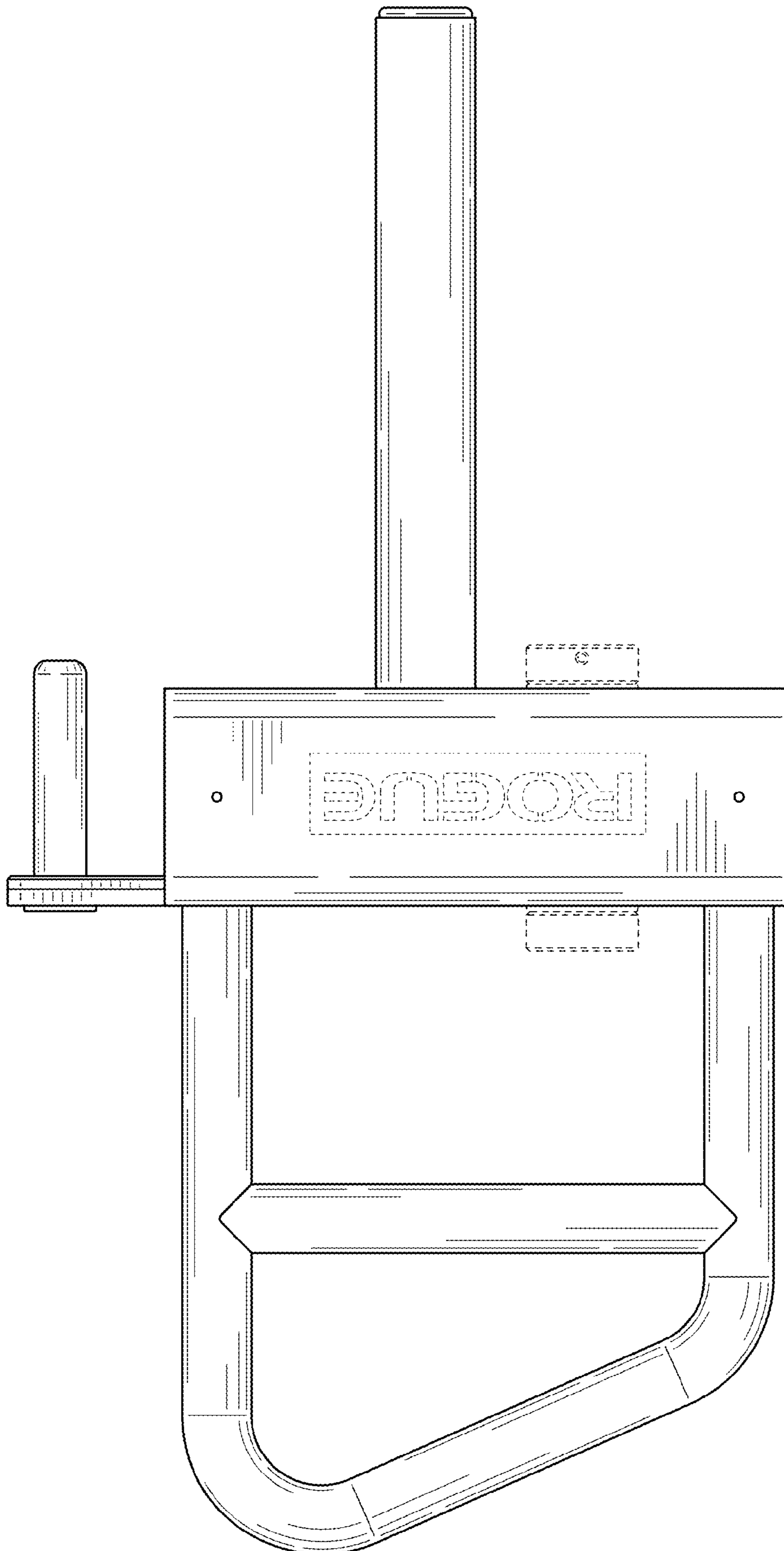


FIG. 10

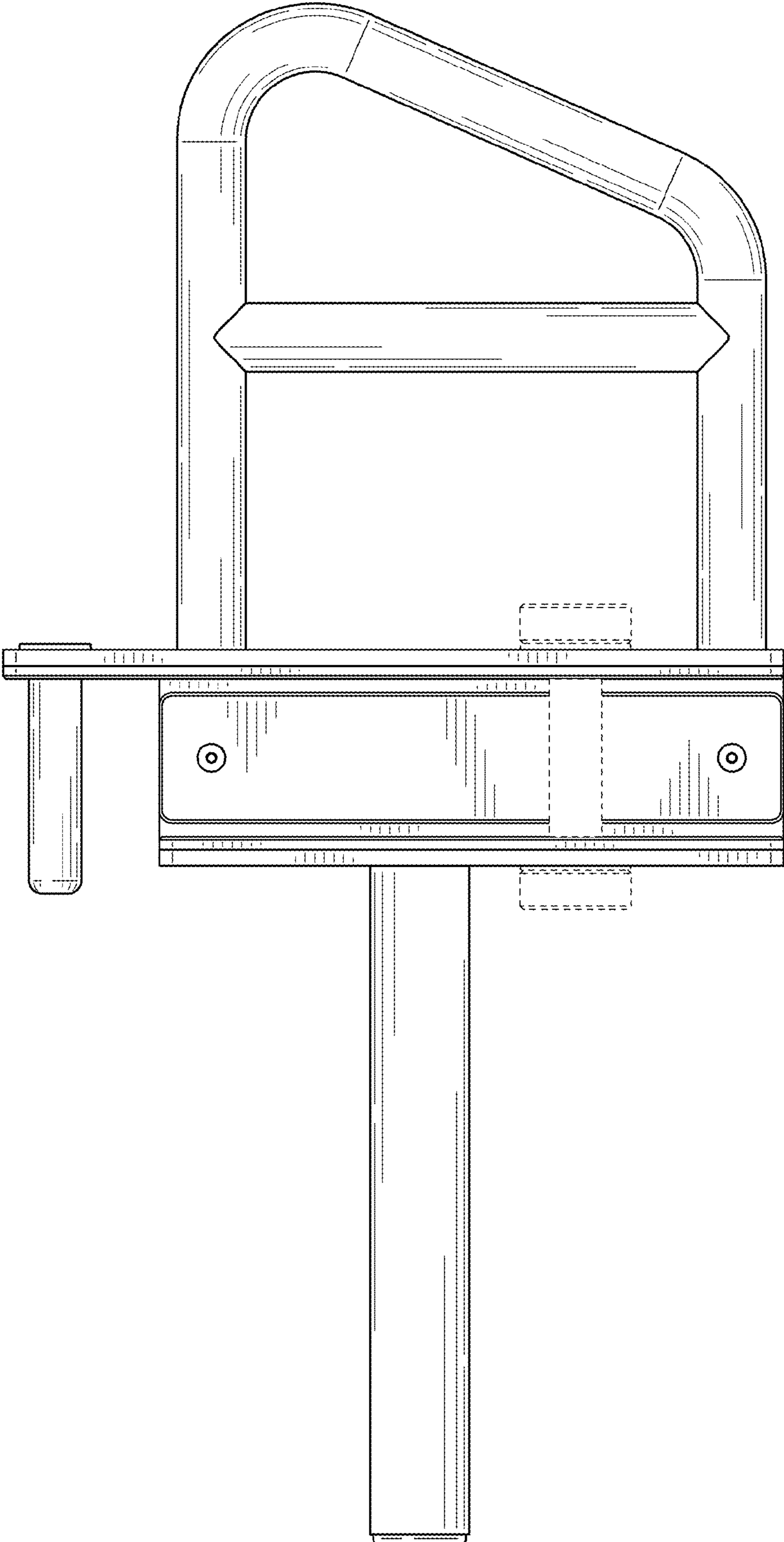


FIG. 11

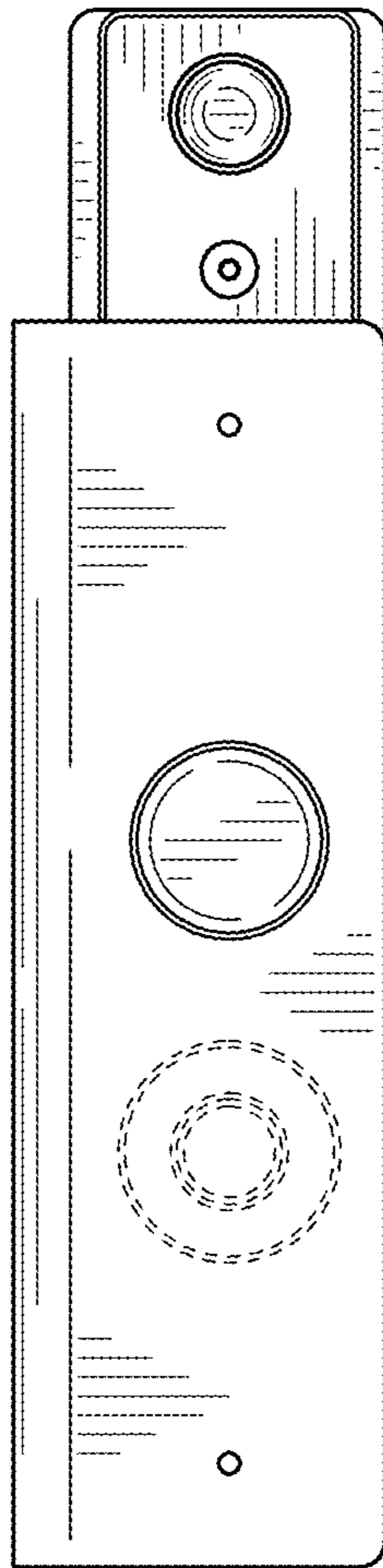


FIG. 12

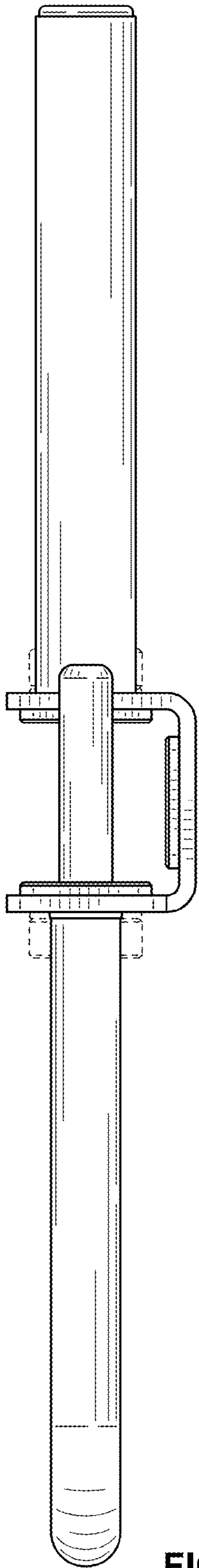


FIG. 13

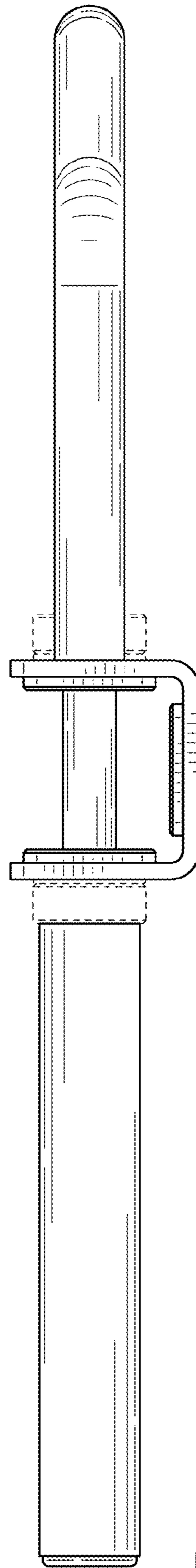


FIG. 14