



US00D892238S

(12) **United States Design Patent** (10) **Patent No.:** **US D892,238 S**  
**Dunahay** (45) **Date of Patent:** **\*\* Aug. 4, 2020**

(54) **PEG**  
(71) Applicant: **Coulter Ventures LLC**, Columbus, OH (US)  
(72) Inventor: **Nash Dunahay**, Gahanna, OH (US)  
(73) Assignee: **Coulter Ventures, LLC.**, Columbus, OH (US)  
(\*\*) Term: **15 Years**  
(21) Appl. No.: **29/659,880**  
(22) Filed: **Aug. 13, 2018**  
(51) **LOC (12) Cl.** ..... **21-02**  
(52) **U.S. Cl.**  
USPC ..... **D21/694**  
(58) **Field of Classification Search**  
USPC ..... D21/484, 487, 505, 694; D23/250;  
D8/300, 310, 352, 354, 367, 378;  
D9/434, 443, 454  
CPC ..... A63B 21/078; A63B 21/00069; A63B  
21/0442; A63B 21/0004; A63B 69/16;  
A63F 9/0078  
See application file for complete search history.

D459,200 S \* 6/2002 Zhao ..... D6/323  
D459,202 S \* 6/2002 Dolan ..... D8/378  
6,450,378 B1 9/2002 Miller  
D467,312 S \* 12/2002 Singtoroj ..... D23/250  
D469,293 S 1/2003 Harms  
D469,294 S 1/2003 Harms et al.  
D550,793 S 9/2007 Rogers et al.  
D552,691 S \* 10/2007 Tak ..... D21/480  
D557,541 S 12/2007 Corbell  
D564,865 S 3/2008 Johnson  
D565,927 S \* 4/2008 Krumpe ..... D8/310  
D568,715 S \* 5/2008 Gustafson ..... D6/307  
D583,880 S \* 12/2008 Slater ..... D21/487  
D587,104 S 2/2009 McCammon  
D591,206 S \* 4/2009 Donner ..... D12/114  
D592,255 S \* 5/2009 Tak ..... D21/480

(Continued)

**OTHER PUBLICATIONS**

Internet Search URL <https://www.roguefitness.com/rogue-monster-keyhole-gun-rack>[Date Searched Dec. 3, 2019] (Year: 2019).

*Primary Examiner* — Cynthia Ramirez  
*Assistant Examiner* — Michael A Maharajh  
(74) *Attorney, Agent, or Firm* — Banner & Witcoff, Ltd.

(57) **CLAIM**

The ornamental design for a peg, as shown and described.

**DESCRIPTION**

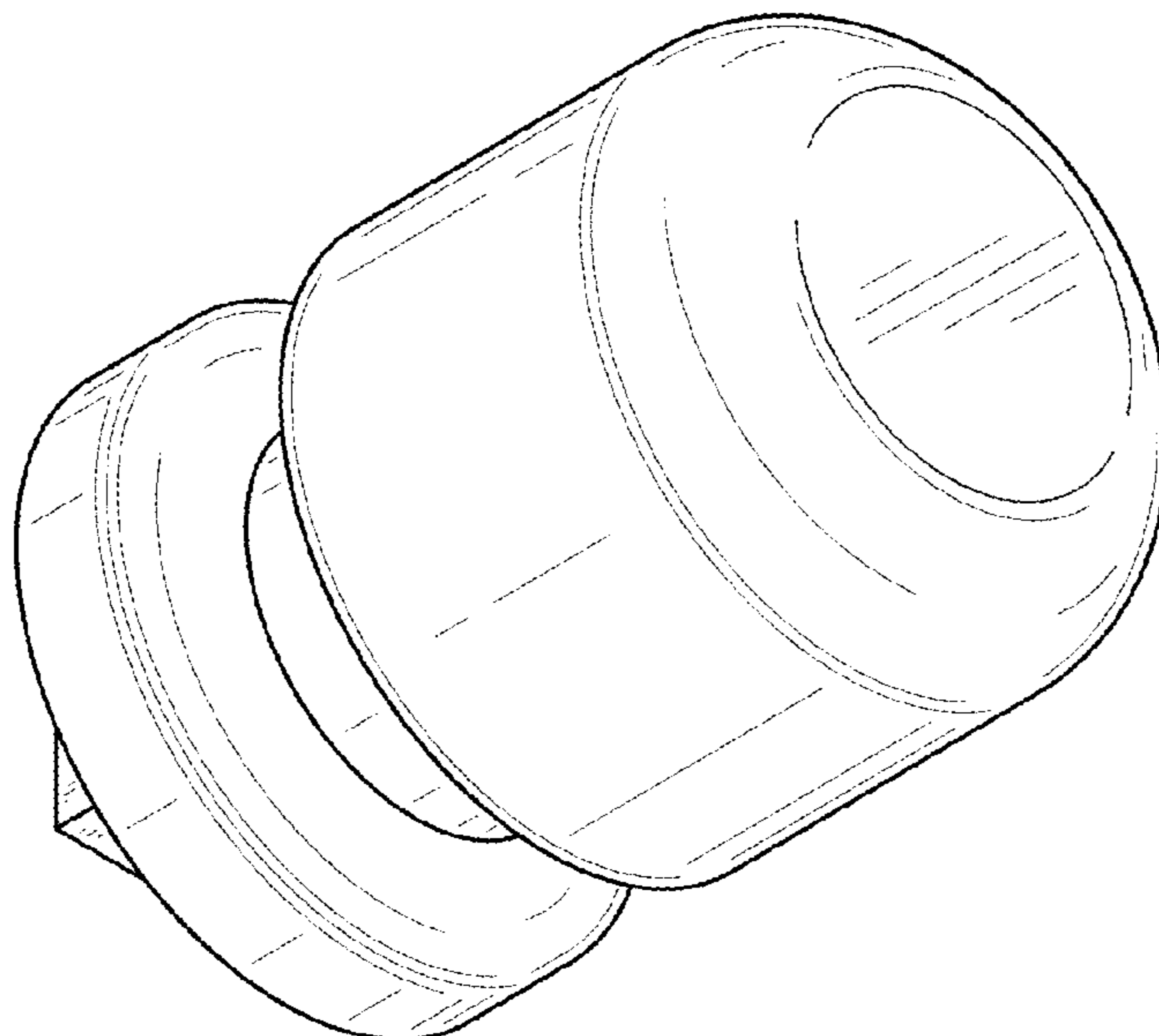
FIG. 1 is a top, front, right perspective view of a peg showing my new design;  
FIG. 2 is a top, rear, right perspective view thereof;  
FIG. 3 is a front view thereof;  
FIG. 4 is a rear view thereof;  
FIG. 5 is a right side view thereof;  
FIG. 6 is a left side view thereof;  
FIG. 7 is a top view thereof; and,  
FIG. 8 is a bottom view thereof.

**1 Claim, 5 Drawing Sheets**

(56) **References Cited**

**U.S. PATENT DOCUMENTS**

4,108,313 A 8/1978 Bogar, Jr.  
D267,632 S \* 1/1983 French ..... D9/434  
D276,830 S \* 12/1984 Petersson ..... D21/487  
D310,446 S 9/1990 Elkins  
4,991,723 A 2/1991 Elkins  
D331,463 S \* 12/1992 Rosenberg ..... D24/145  
D337,466 S 7/1993 Moser  
5,524,772 A 6/1996 Simmons  
5,884,912 A \* 3/1999 Ignatiev ..... A63F 9/0078  
273/153 S  
D410,706 S \* 6/1999 Toft ..... D21/487  
D455,310 S 4/2002 Webber



(56)

**References Cited**

U.S. PATENT DOCUMENTS

D601,402 S \* 10/2009 Jackson ..... D8/310  
 D615,135 S \* 5/2010 Thorsen ..... D21/487  
 D615,605 S \* 5/2010 Frasco ..... D21/682  
 8,808,151 B1 \* 8/2014 Whaley ..... A63B 21/0442  
 482/129  
 8,998,782 B1 \* 4/2015 Nelson ..... A63B 21/04  
 482/129  
 D739,477 S \* 9/2015 Simonds ..... D21/487  
 D757,613 S \* 5/2016 Amidon ..... D12/114  
 D768,028 S \* 10/2016 Ling ..... D11/87  
 D780,558 S \* 3/2017 Mouthaan ..... D8/354  
 D780,930 S \* 3/2017 Neel ..... D24/184  
 D781,385 S \* 3/2017 Flick ..... D21/694  
 D796,590 S 9/2017 Crevits  
 D798,128 S \* 9/2017 Breeden, III ..... D8/300  
 D807,446 S 1/2018 Meredith et al.  
 D829,076 S \* 9/2018 Dulley ..... D8/310  
 D857,132 S \* 8/2019 Dube ..... D21/694  
 2005/0113225 A1 \* 5/2005 Dovner ..... A63B 21/0004  
 482/121  
 2005/0133473 A1 6/2005 Lesperance  
 2010/0130335 A1 5/2010 Hoobler  
 2015/0069103 A1 3/2015 Fife  
 2015/0083681 A1 3/2015 Childs  
 2015/0126342 A1 \* 5/2015 Kaye ..... A63B 21/0442  
 482/121  
 2015/0126346 A1 \* 5/2015 Kaye ..... A63B 21/0442  
 482/129  
 2018/0193713 A1 \* 7/2018 Lo ..... A63B 69/16  
 2018/0333609 A1 \* 11/2018 Zerbo ..... A63B 23/16  
 2019/0126087 A1 \* 5/2019 Schmidt ..... A63B 21/157

\* cited by examiner

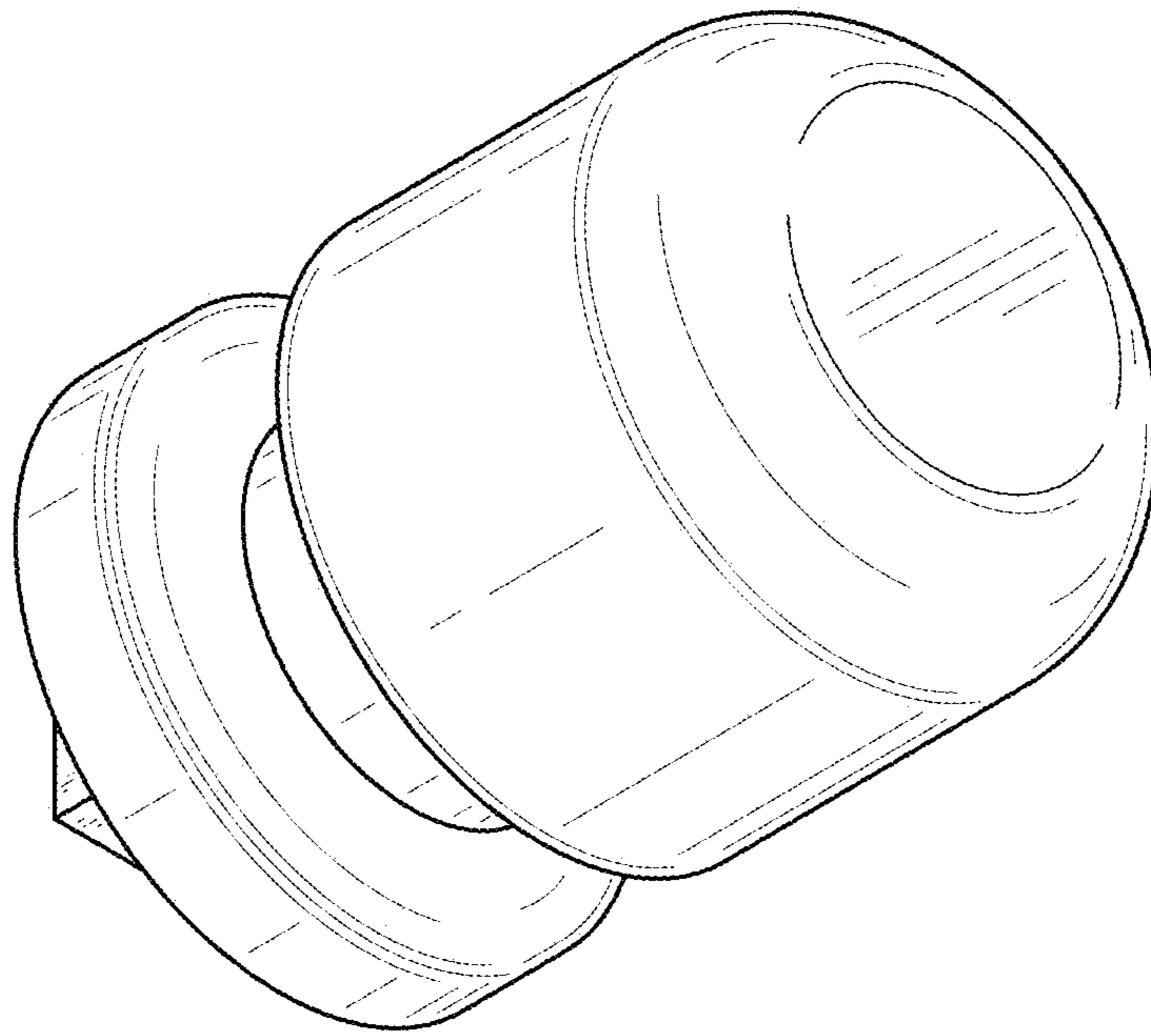


FIG. 1

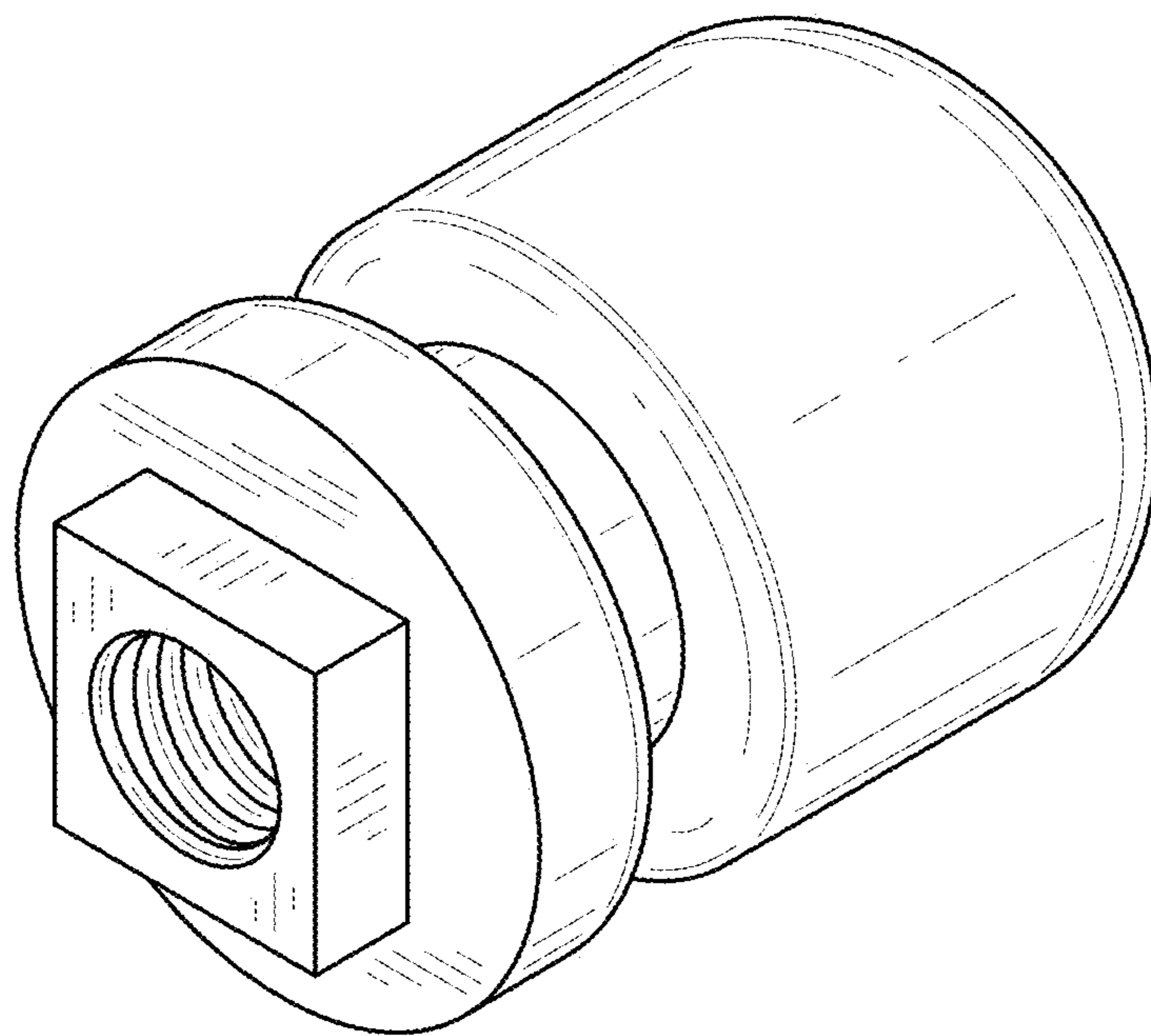


FIG. 2

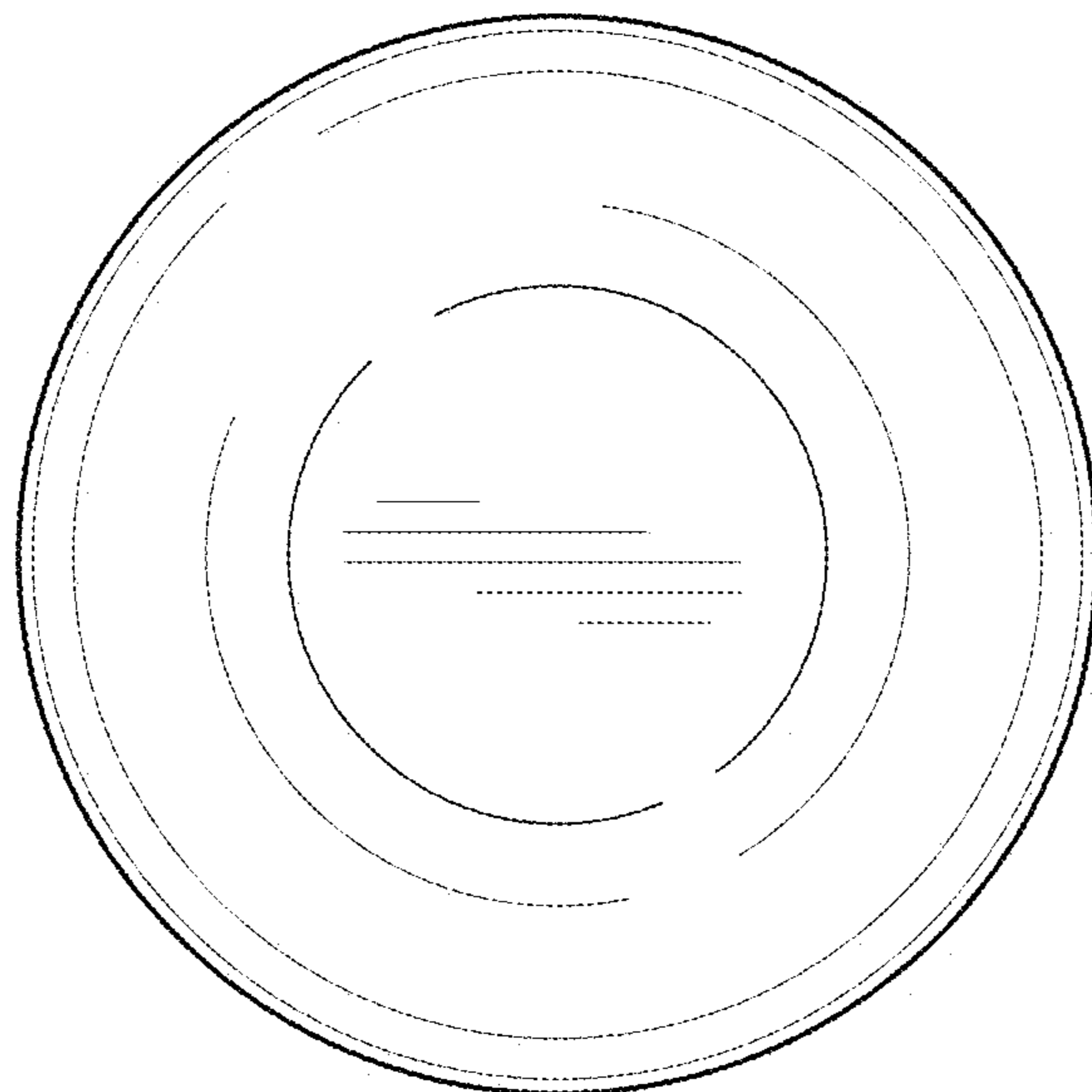


FIG. 3

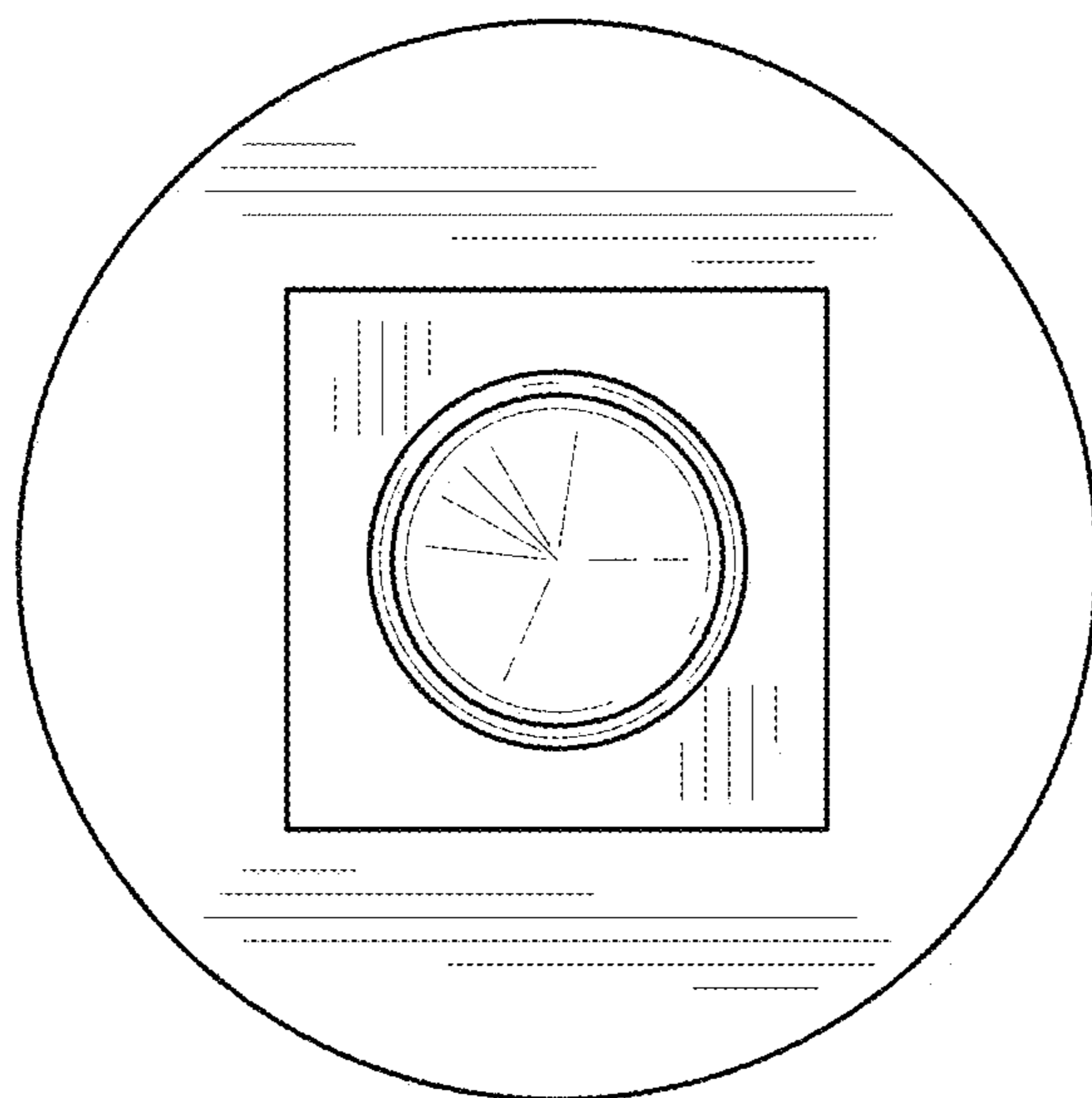


FIG. 4

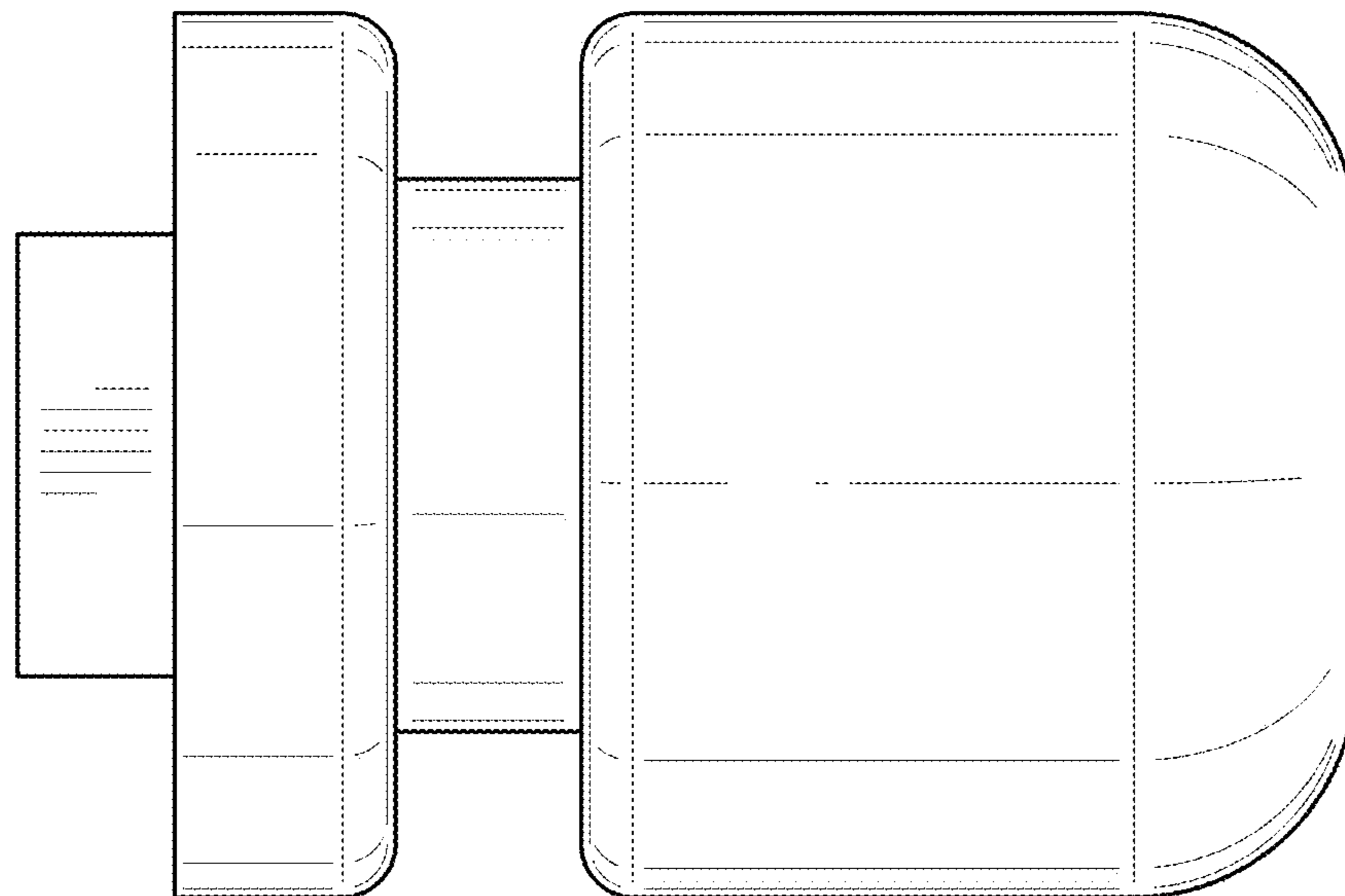


FIG. 5

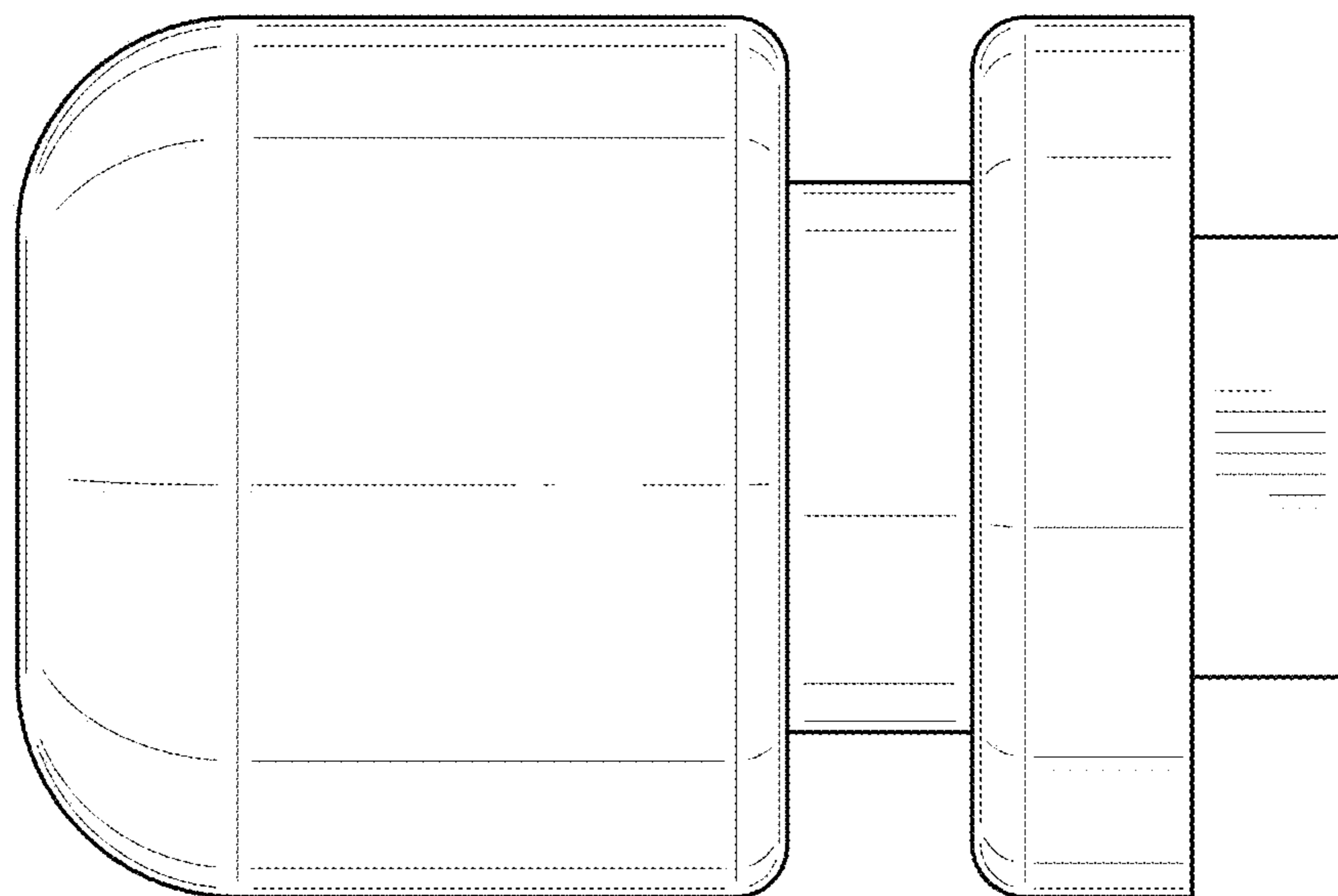


FIG. 6

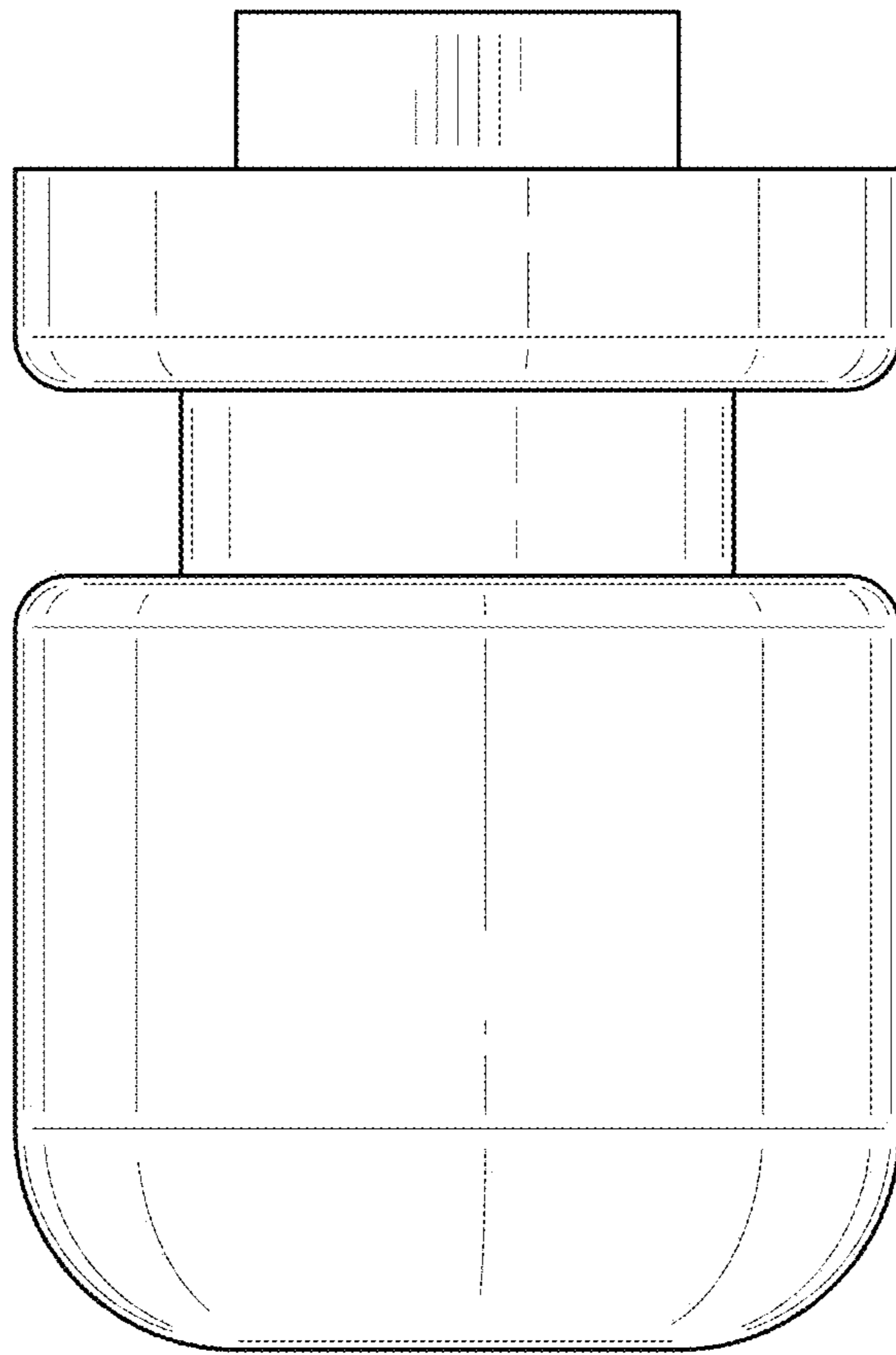


FIG. 7

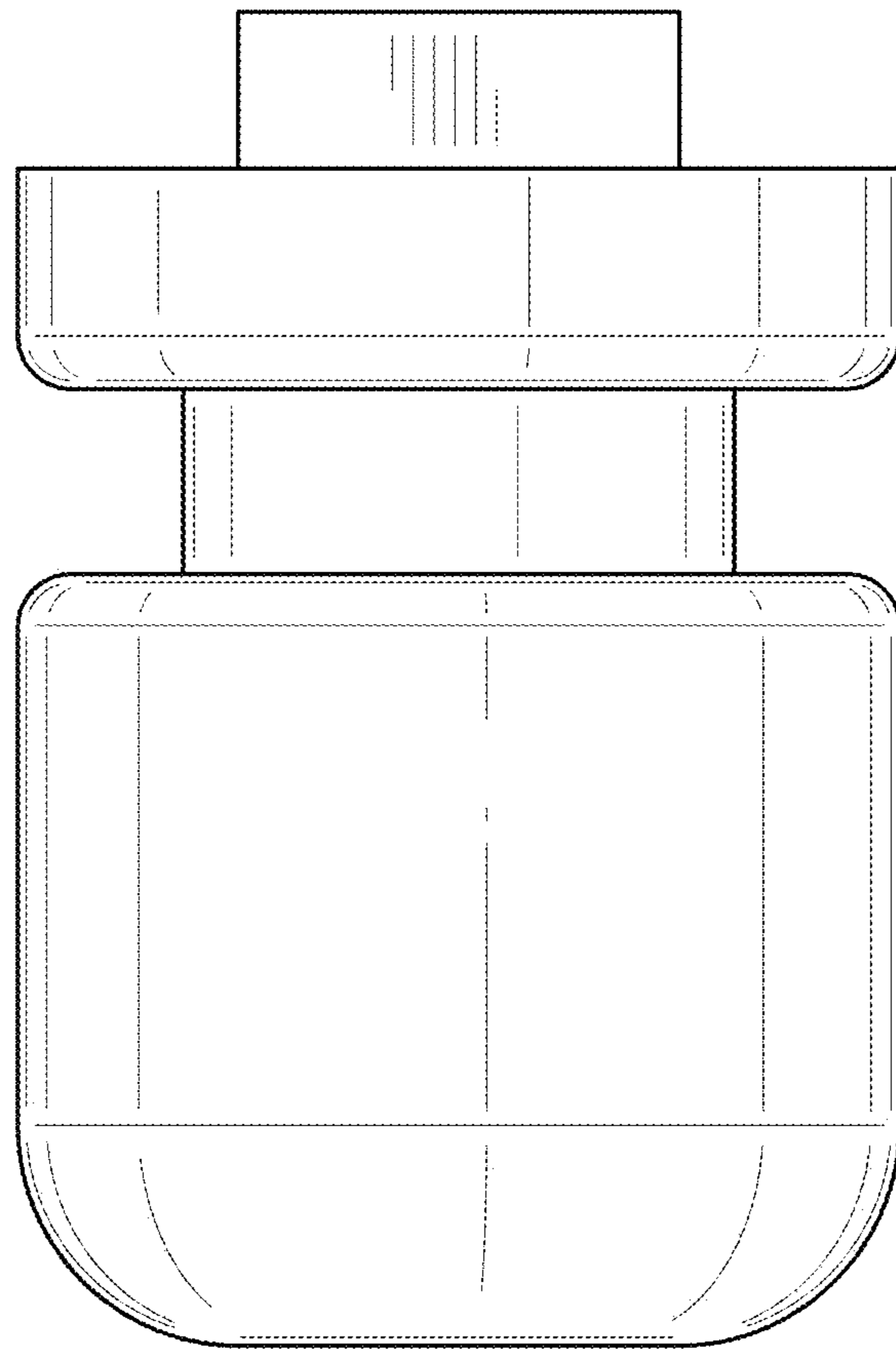


FIG. 8