



US00D892237S

(12) **United States Design Patent** (10) **Patent No.:** **US D892,237 S**
Bentsen et al. (45) **Date of Patent:** **** Aug. 4, 2020**

(54) **EXERCISE APPARATUS**

A63B 21/00043; A63B 2023/006; A63B 21/00185; A63B 21/1663

(71) Applicant: **Kompan A/S**, Odense SØ (DK)

See application file for complete search history.

(72) Inventors: **Nikolaj Maj Bentsen**, Vejle Ø (DK);
Martin Nørgaard Johansen, Skårup Fyn (DK)

(56) **References Cited**

U.S. PATENT DOCUMENTS

(73) Assignee: **KOMPAN A/S**, Odense SO (DK)

D187,138 S	2/1960	Highberger	
3,118,668 A *	1/1964	Callahan	A63B 21/078
			482/104
D200,322 S *	2/1965	Spackman	D21/691
D274,539 S	7/1984	Bankier	
4,779,867 A	10/1988	Hinds	
4,789,152 A *	12/1988	Guerra	A63B 21/00047
			482/108
5,040,791 A	8/1991	Ratajac et al.	
D472,965 S	4/2003	Kohler	
6,685,600 B1	2/2004	Ullman	

(**) Term: **15 Years**

(21) Appl. No.: **29/696,564**

(22) Filed: **Jun. 28, 2019**

Related U.S. Application Data

(60) Division of application No. 29/631,256, filed on Dec. 28, 2017, now Pat. No. Des. 855,721, which is a continuation of application No. 35/500,802, filed on Mar. 1, 2016 (U.S. filing date under 35 U.S.C. 384), and having an international filing date of Mar. 1, 2016, now Pat. No. Des. 806,817.

(Continued)

Primary Examiner — Ryan Harvey

(74) *Attorney, Agent, or Firm* — Polson Intellectual Property Law, PC; Margaret Polson

(30) **Foreign Application Priority Data**

Sep. 2, 2015 (EM) 002764803

(51) **LOC (12) Cl.** **21-02**

(52) **U.S. Cl.**
USPC **D21/692**

(58) **Field of Classification Search**
USPC D21/671, 787, 798, 826, 694, 692, 691, D21/690, 688, 687, 686, 684, 679, 673, D21/662; 482/91, 8, 44, 24, 140, 139, 482/131, 130, 129, 128, 127, 126, 125, 482/124, 123, 122, 121, 115, 112, 103, 482/87, 90, 83, 138; 473/428, 426, 483; 368/10; 135/140
CPC A63B 21/0552; A63B 21/4035; A63B 21/0557; A63B 21/0442; A63B 21/00069; A63B 21/4043; A63B 2208/0233; A63B 21/04; A63B 21/1609; A63B 21/154;

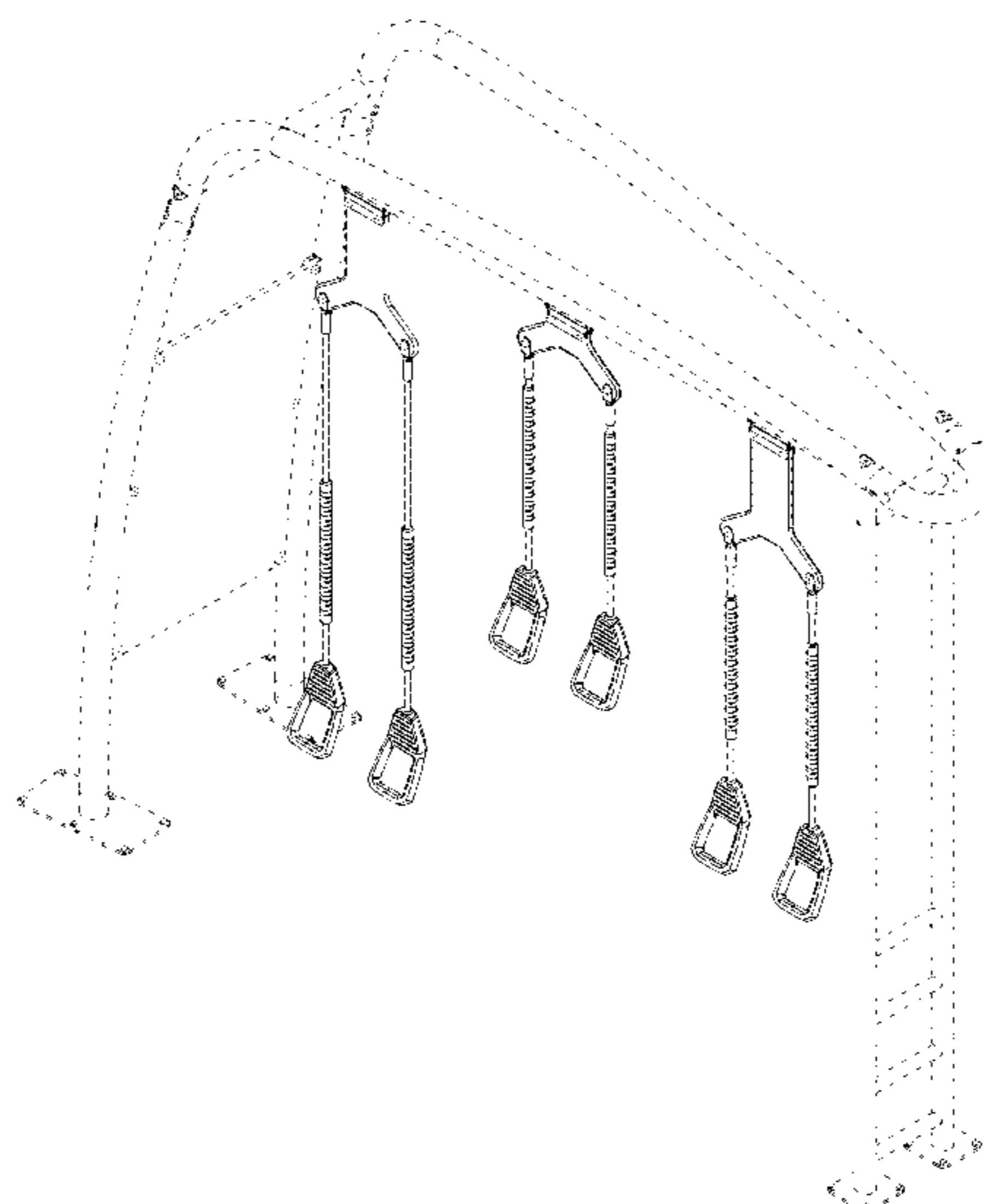
(57) **CLAIM**

The ornamental design for an exercise apparatus, as shown and described.

DESCRIPTION

FIG. 1 is a top, left perspective view of our new design for an exercise apparatus.
FIG. 2 is a left side elevation view of FIG. 1.
FIG. 3 is a back side elevation view of FIG. 1.
FIG. 4 is a right side elevation view of FIG. 1.
FIG. 5 is a front elevation view of FIG. 1.
FIG. 6 is a top plan view of FIG. 1; and, FIG. 7 is a bottom plan view of FIG. 1.
The broken lines are included for the purpose of illustrating disclaimed subject matter and form no part of the claimed design.

1 Claim, 7 Drawing Sheets



(56)

References Cited

U.S. PATENT DOCUMENTS

7,658,699	B1 *	2/2010	Johnson, Jr.	A63B 69/201 482/83
D615,607	S	5/2010	Hwang	
D628,668	S	12/2010	Kilgriff	
8,079,915	B2 *	12/2011	Spencer	A63G 9/00 472/118
8,113,992	B2	2/2012	Koehler	
D664,624	S *	7/2012	Orsulak	D21/826
8,919,364	B1 *	12/2014	Russell	E04H 15/46 135/139
D731,611	S	6/2015	Klein	
D752,161	S *	3/2016	Wartenbergh	D21/691
9,314,658	B2 *	4/2016	Kaye	A63B 21/0557
9,675,829	B1	6/2017	Katz	
D795,970	S *	8/2017	McMaster	D21/662
D806,817	S	1/2018	Bentsen	
D816,173	S	4/2018	Jackson	
10,092,788	B2 *	10/2018	O'Brien	A63B 7/00
D842,945	S *	3/2019	Leder	D21/691
D855,721	S	8/2019	Bentsen et al.	
2005/0130814	A1	6/2005	Nitta et al.	
2005/0176557	A1 *	8/2005	Bork	A63B 17/04 482/35
2012/0085380	A1	4/2012	Buckley	
2012/0329620	A1	12/2012	White et al.	
2013/0178299	A1 *	7/2013	Kopp	A63G 9/00 472/136
2017/0072260	A1	3/2017	Jackson	
2019/0269967	A1 *	9/2019	Thomas	A63B 21/00061

* cited by examiner

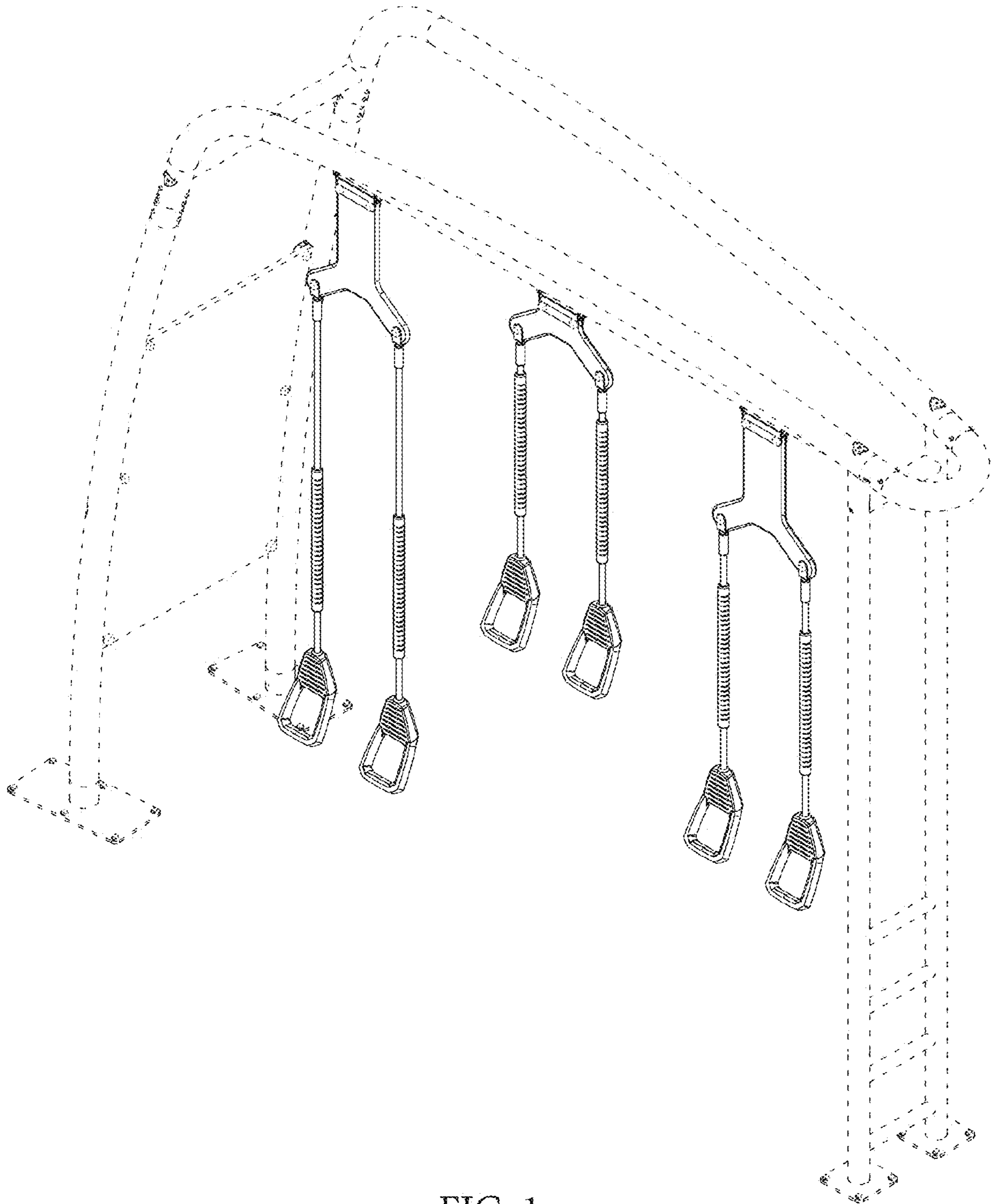


FIG. 1

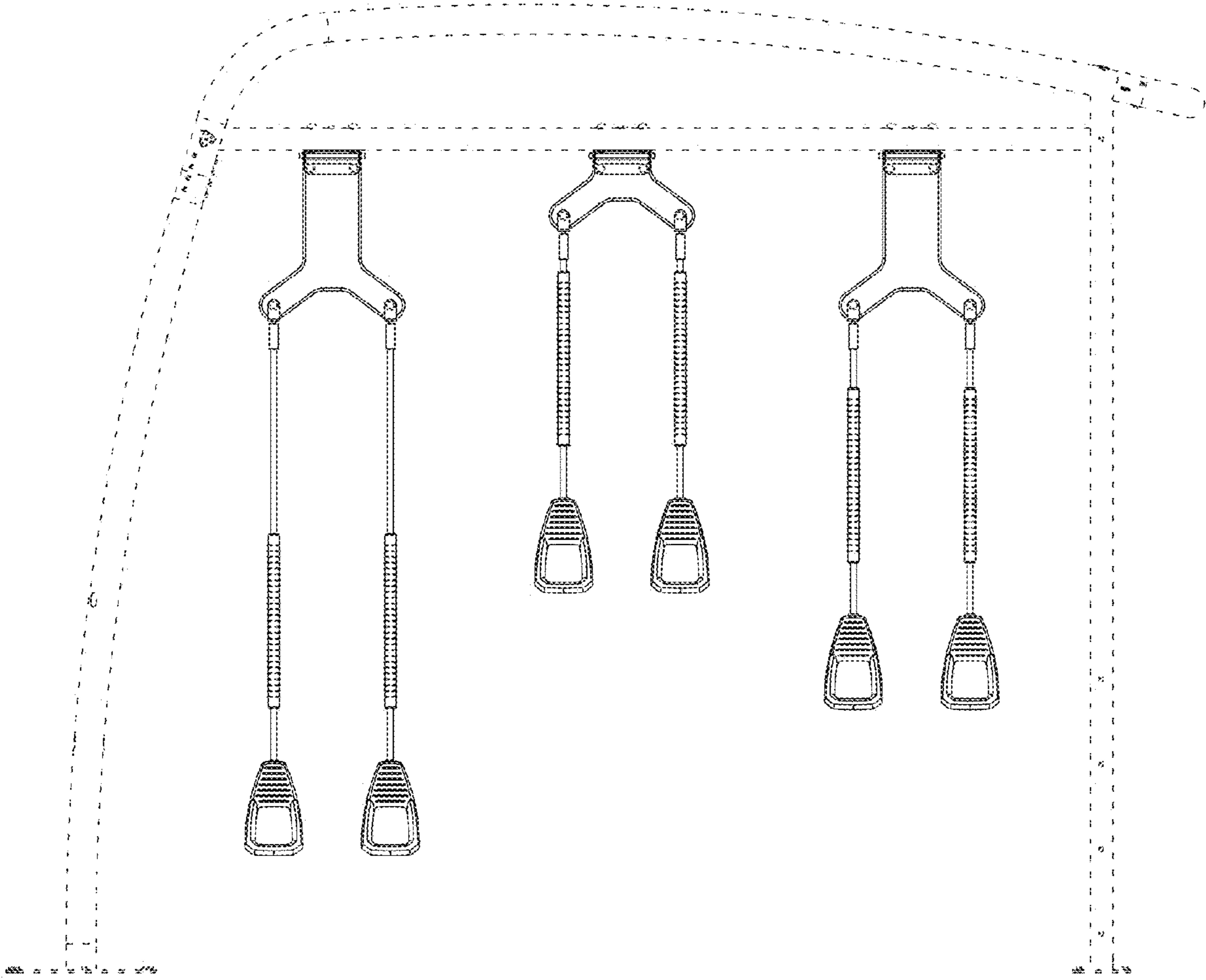


FIG. 2

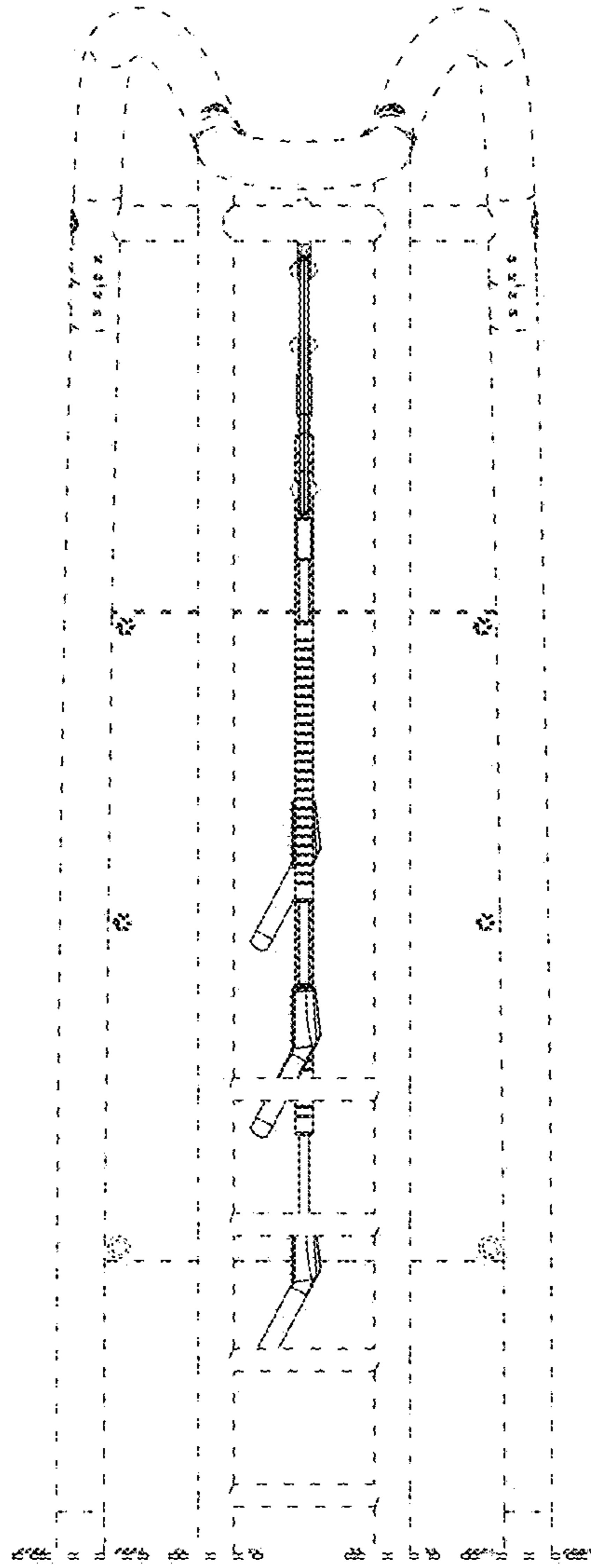


FIG. 3

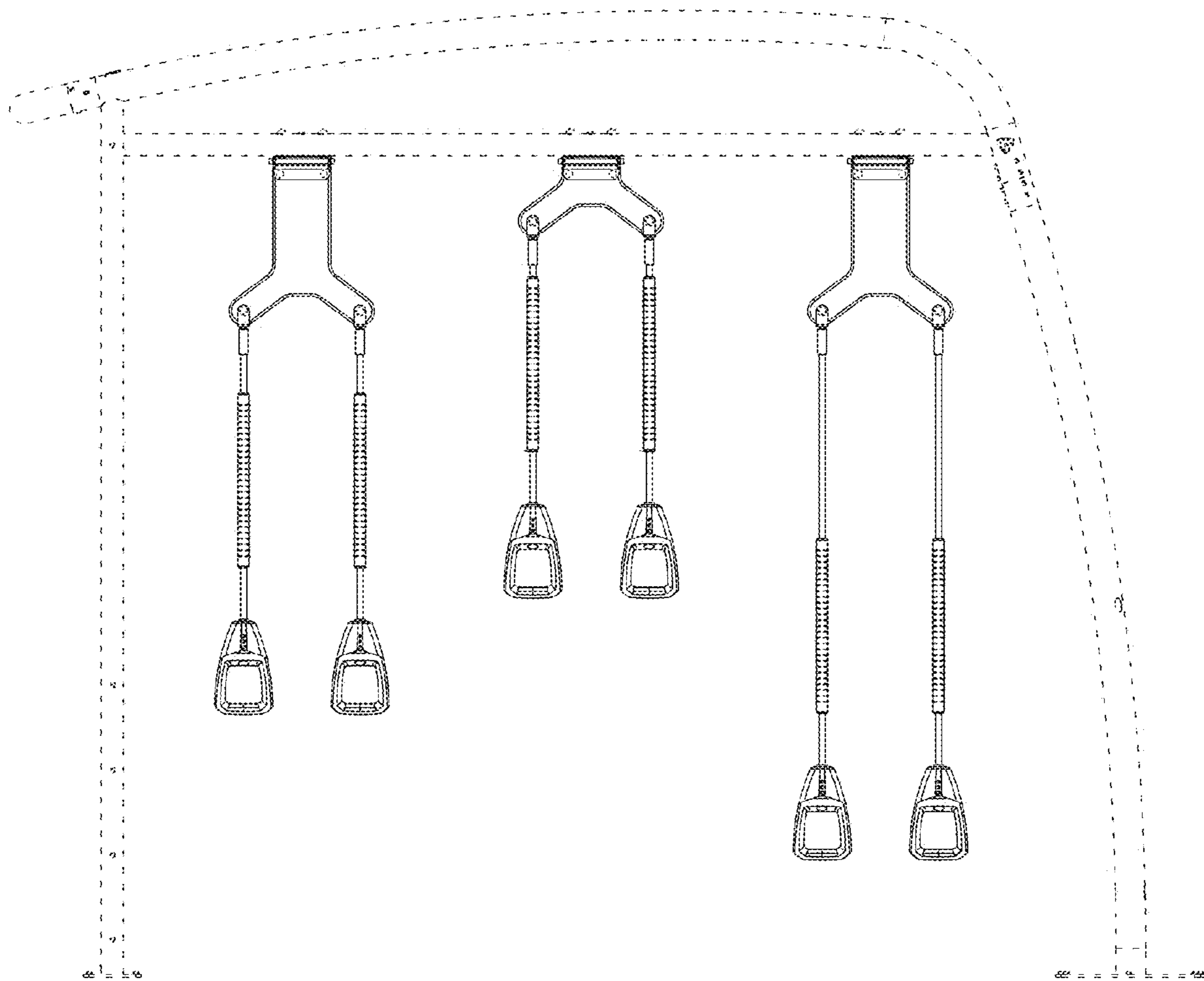


FIG. 4

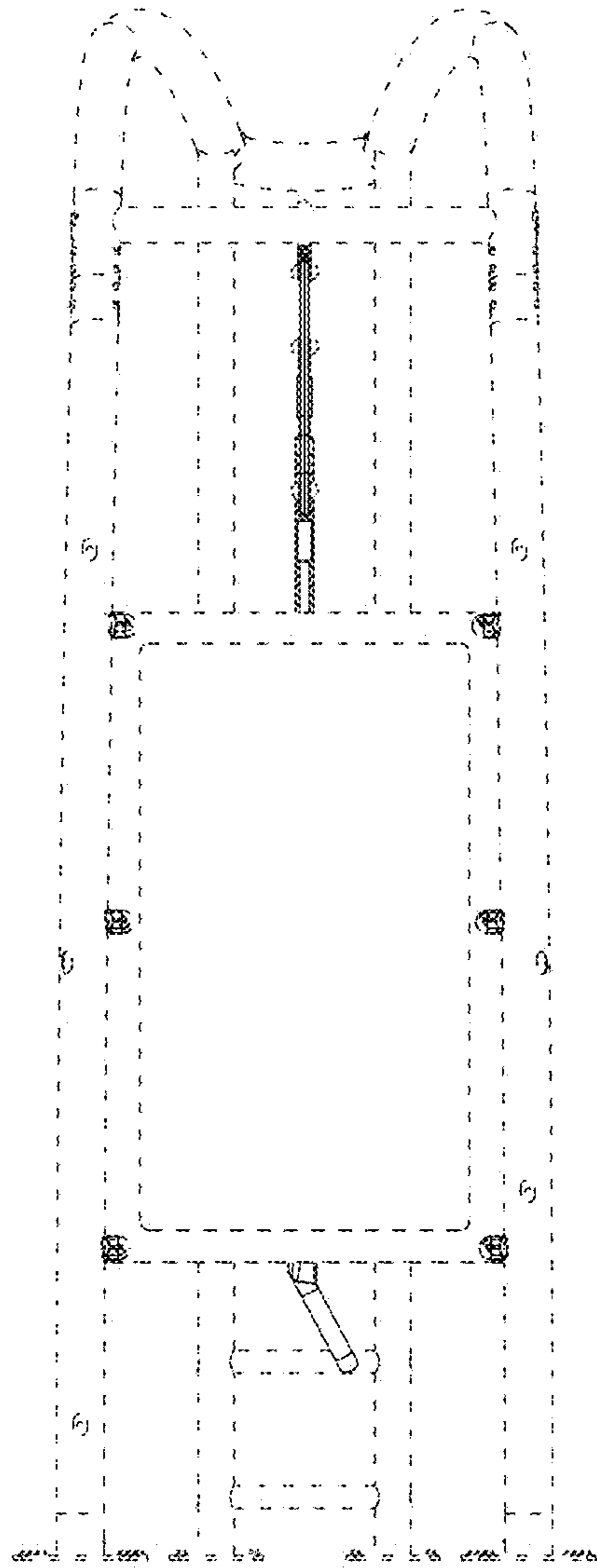


FIG. 5

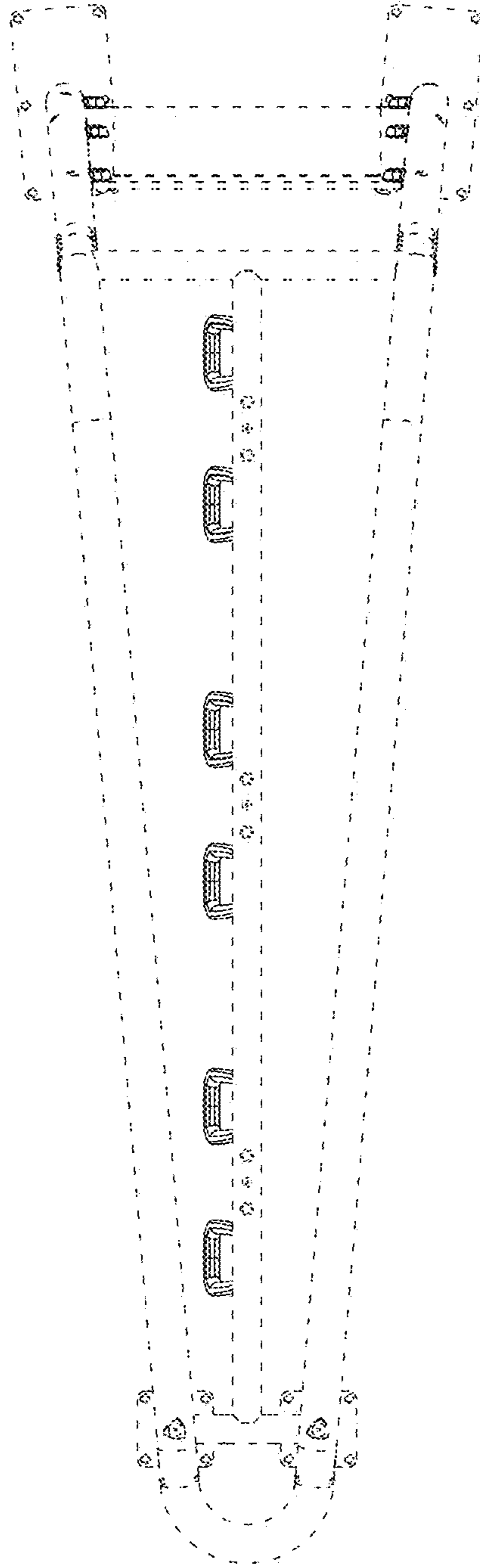


FIG. 6

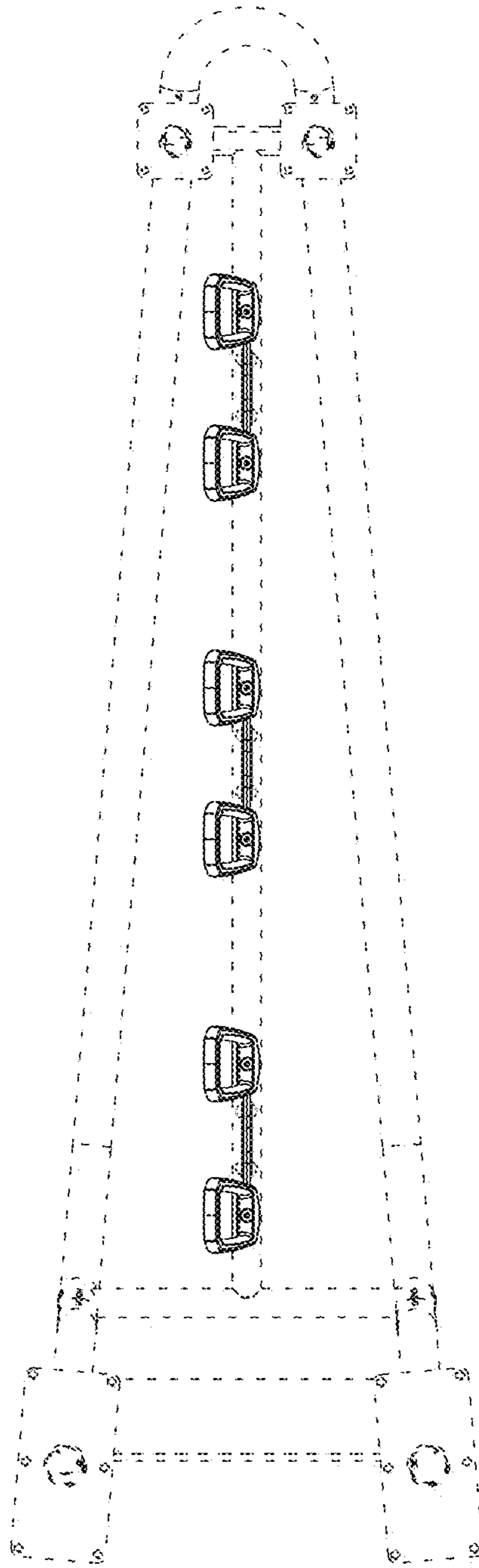


FIG. 7