



US00D892235S

(12) **United States Design Patent**  
**Fantino et al.**

(10) **Patent No.:** **US D892,235 S**  
(45) **Date of Patent:** **\*\* Aug. 4, 2020**

(54) **TOY HAVING MOVEABLE LEGS**

(71) Applicant: **CICABOOM S.r.L.**, Genoa (IT)

(72) Inventors: **Fulvio Fantino**, Genoa (IT); **Elisabetta Insile**, Genoa (IT)

(73) Assignee: **CICABOOM S.R.L.**, Genoa (IT)

(\*\*) Term: **15 Years**

(21) Appl. No.: **29/715,562**

(22) Filed: **Dec. 3, 2019**

(30) **Foreign Application Priority Data**

Sep. 25, 2019 (CN) ..... 2019 3 0526065

(51) **LOC (12) Cl.** ..... **21-01**

(52) **U.S. Cl.**  
USPC ..... **D21/584**; D21/604; D21/579

(58) **Field of Classification Search**  
USPC ..... D6/598; D11/158-159, 162;  
D21/576-596, 598, 603, 615; 446/99,  
(Continued)

(56) **References Cited**

**U.S. PATENT DOCUMENTS**

D176,107 S \* 11/1955 Carrick ..... D21/603  
D422,207 S \* 4/2000 Mendis ..... A63H 3/003  
D21/603

(Continued)

*Primary Examiner* — Sandra L Morris

(74) *Attorney, Agent, or Firm* — Mark Malek; Widerman Malek, PL

(57) **CLAIM**

The ornamental design for a toy having moveable legs, as shown and described.

**DESCRIPTION**

FIG. 1 is a top perspective view of a toy having moveable legs according to the present invention.

FIG. 2 is a bottom perspective view of the toy having moveable legs illustrated in FIG. 1.

FIG. 3 is a top plan view of the toy having moveable legs illustrated in FIG. 1.

FIG. 4 is a bottom plan view of the toy having moveable legs illustrated in FIG. 1.

FIG. 5 is a side elevation view of the toy having moveable legs illustrated in FIG. 1.

FIG. 6 is another side elevation view of the toy having moveable legs illustrated in FIG. 1.

FIG. 7 is front elevation view of the toy having moveable legs illustrated in FIG. 1.

FIG. 8 is a rear elevation view of the toy having moveable legs illustrated in FIG. 1.

FIG. 9 is a top perspective view of the toy having moveable legs illustrated in FIG. 1 and having leg portions thereof in a folded position.

FIG. 10 is bottom perspective view of the toy having moveable legs illustrated in FIG. 1 and having leg portions thereof in a folded position.

FIG. 11 is a top plan view of the toy having moveable legs illustrated in FIG. 1 and having leg portions thereof in a folded position.

FIG. 12 is a bottom plan view of the toy having moveable legs illustrated in FIG. 1 and having leg portions thereof in a folded position.

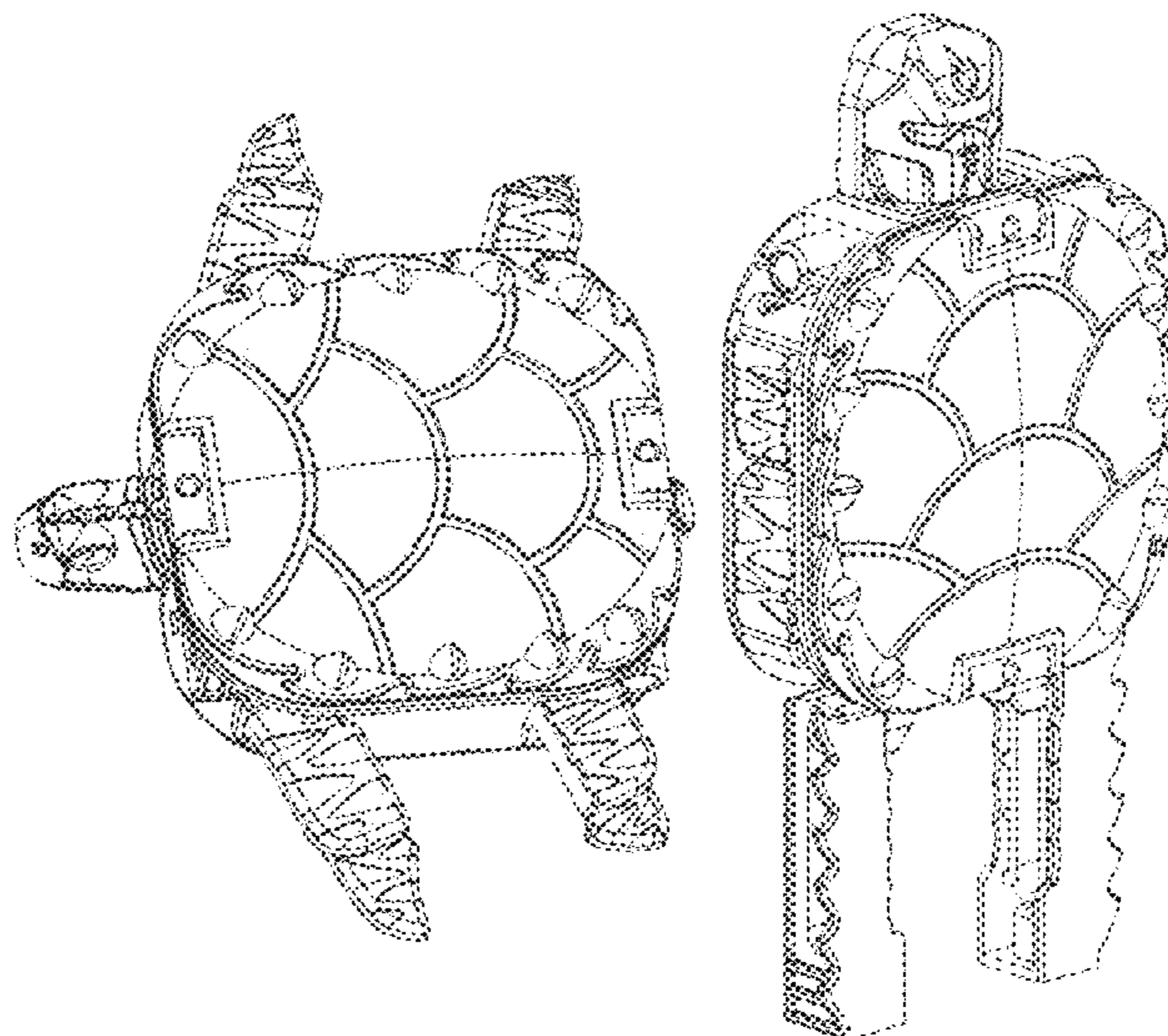
FIG. 13 is a side elevation view of the toy having moveable legs illustrated in FIG. 1 and having leg portions thereof in a folded position.

FIG. 14 is another side elevation view of the toy having moveable legs illustrated in FIG. 1 and having leg portions thereof in a folded position.

FIG. 15 is front elevation view of the toy having moveable legs illustrated in FIG. 1 and having leg portions thereof in a folded position; and,

FIG. 16 is a rear elevation view of the toy having moveable legs illustrated in FIG. 1 and having leg portions thereof in a folded position.

**1 Claim, 16 Drawing Sheets**



(58) **Field of Classification Search**

USPC ..... 446/268, 368-369, 376, 428, 487;  
180/8.6; D30/160  
CPC ... A63H 3/00; A63H 3/02; A63H 3/04; A63H  
3/16; A63H 3/28; A63H 3/36; A63H  
7/06; A63H 11/00; A63H 11/10; A63H  
11/20; A63H 11/205; A63H 13/00; A63H  
33/04; A63H 33/08; A63H 33/042; A63H  
23/10; A63H 5/00

See application file for complete search history.

(56) **References Cited**

U.S. PATENT DOCUMENTS

D435,877 S *	1/2001	Brown, Jr.	.....	D21/584
D532,057 S *	11/2006	Boutin	.....	D21/603
D590,453 S *	4/2009	Sato	.....	D21/584
D590,455 S *	4/2009	Sato	.....	D21/584
D662,157 S *	6/2012	Chiu	.....	D21/578
D674,447 S *	1/2013	Johnson	.....	A63H 3/003 D21/603
D867,478 S *	11/2019	Katayama	.....	D21/603

\* cited by examiner

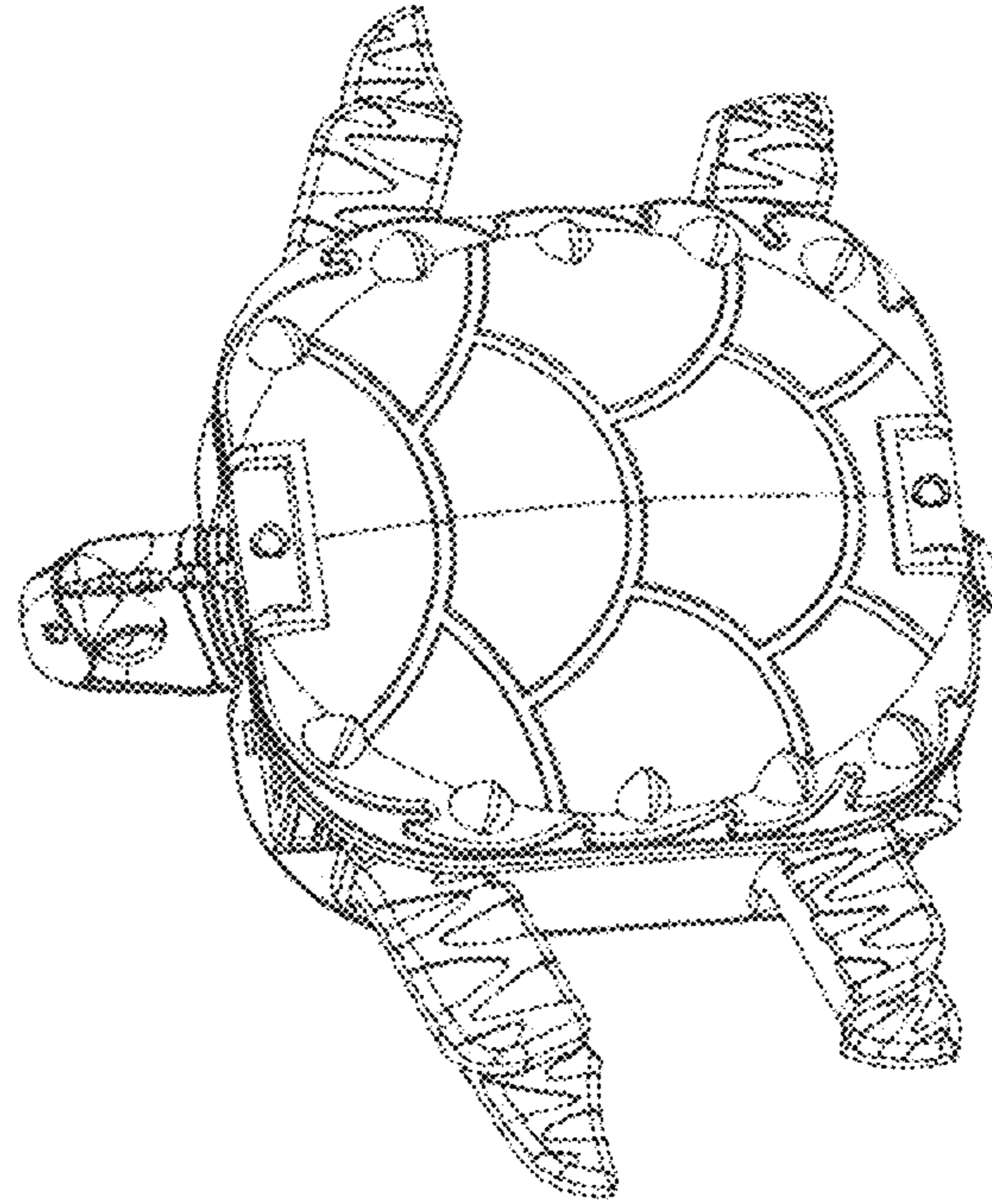


FIG. 1

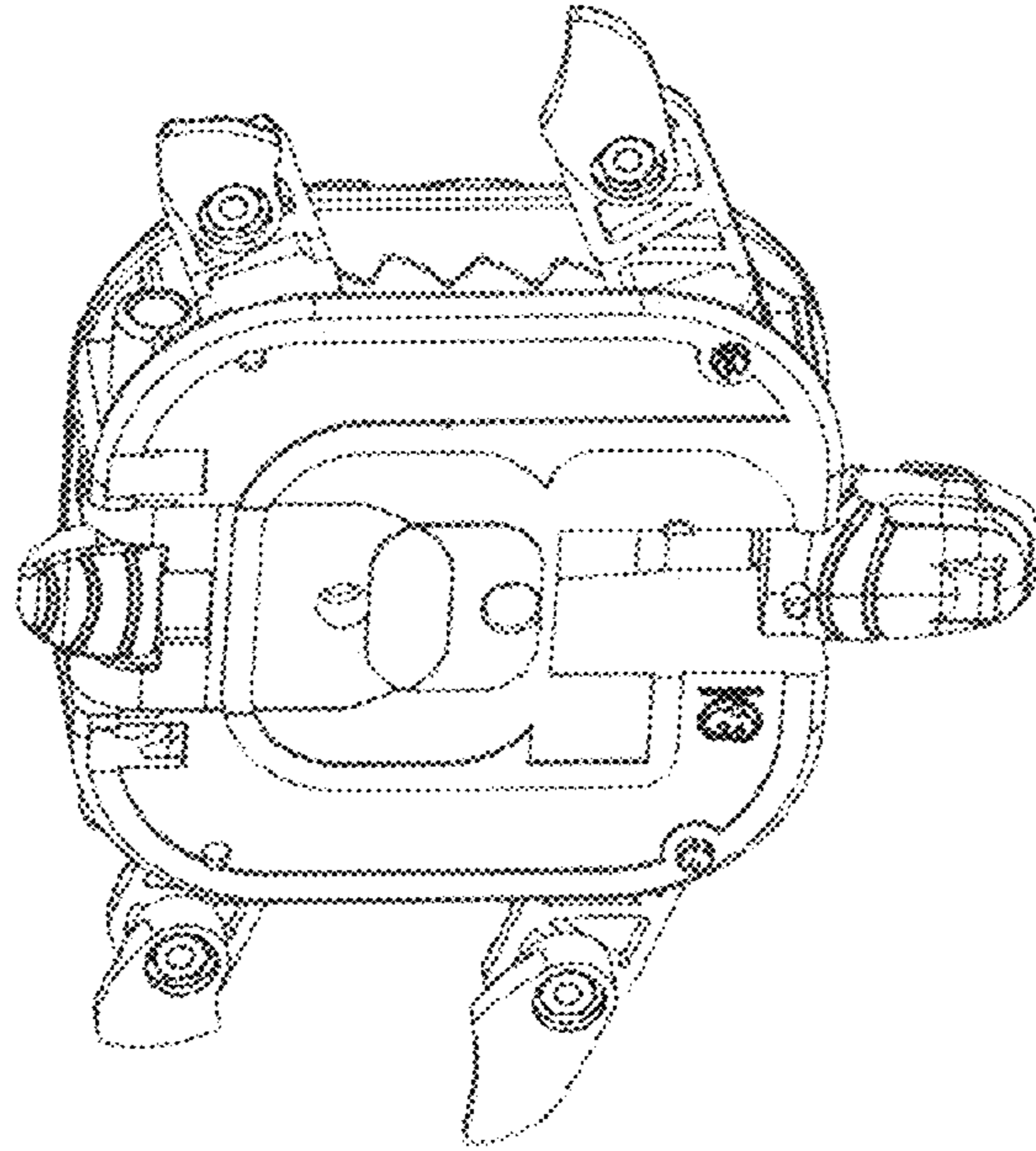


FIG. 2

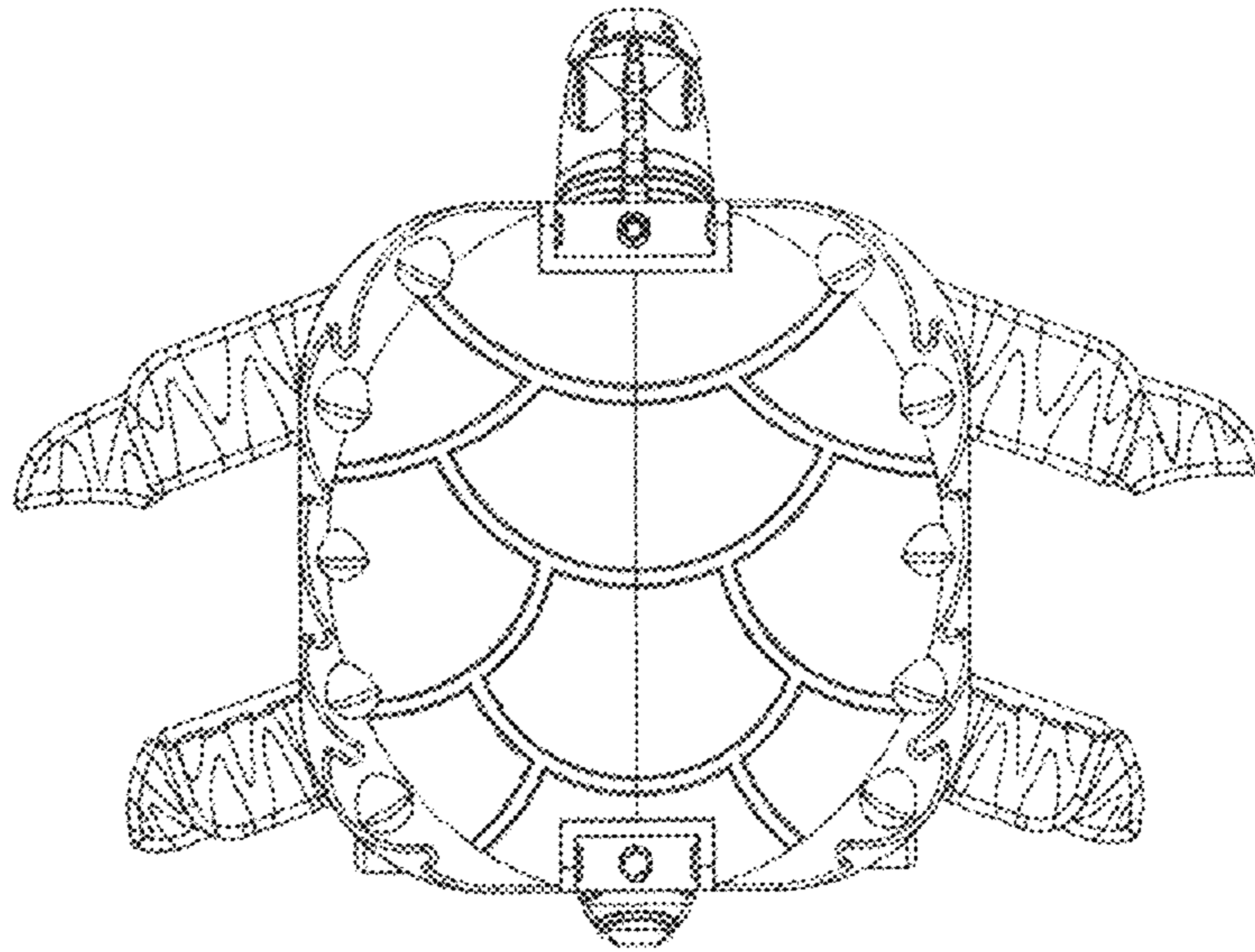


FIG. 3

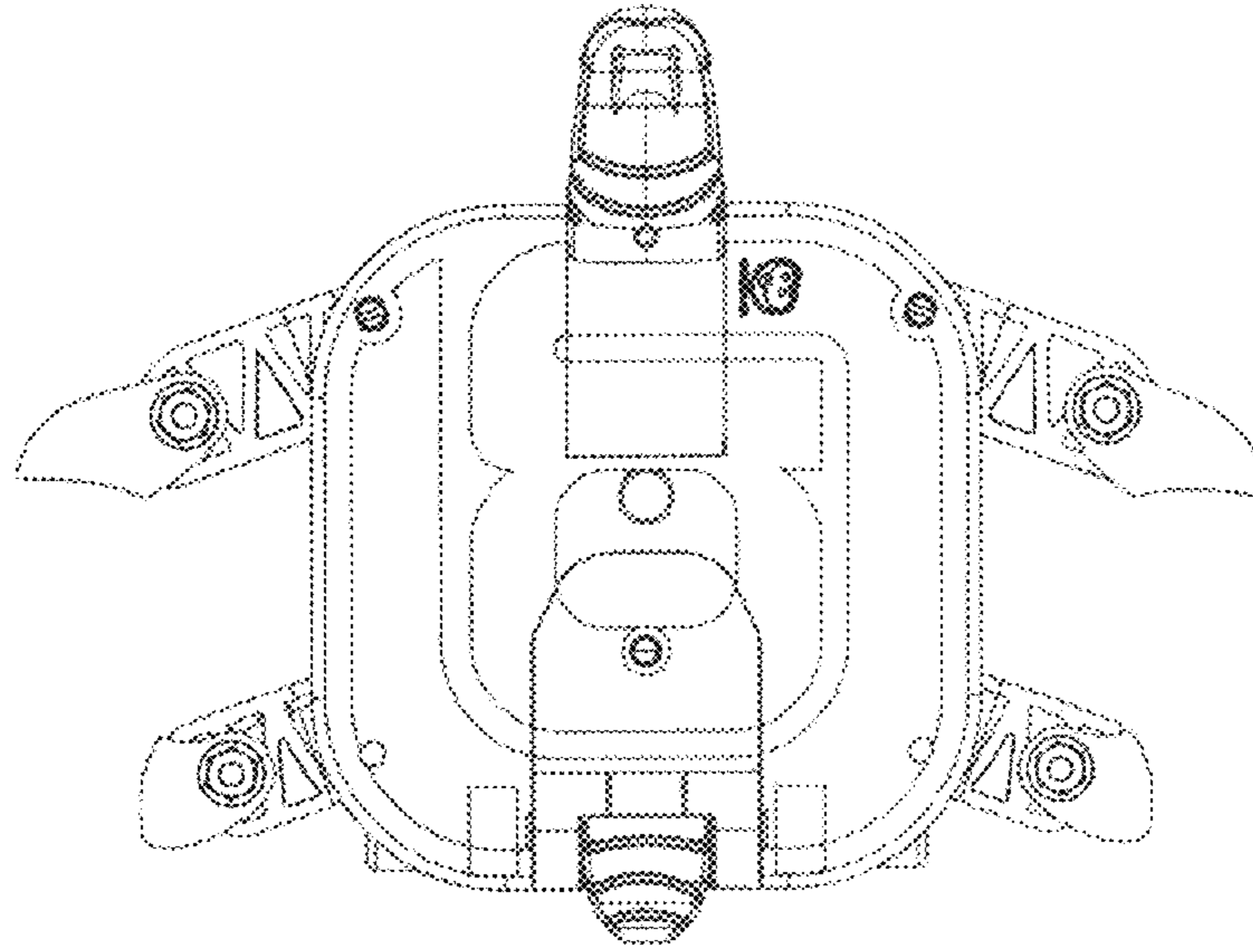


FIG. 4

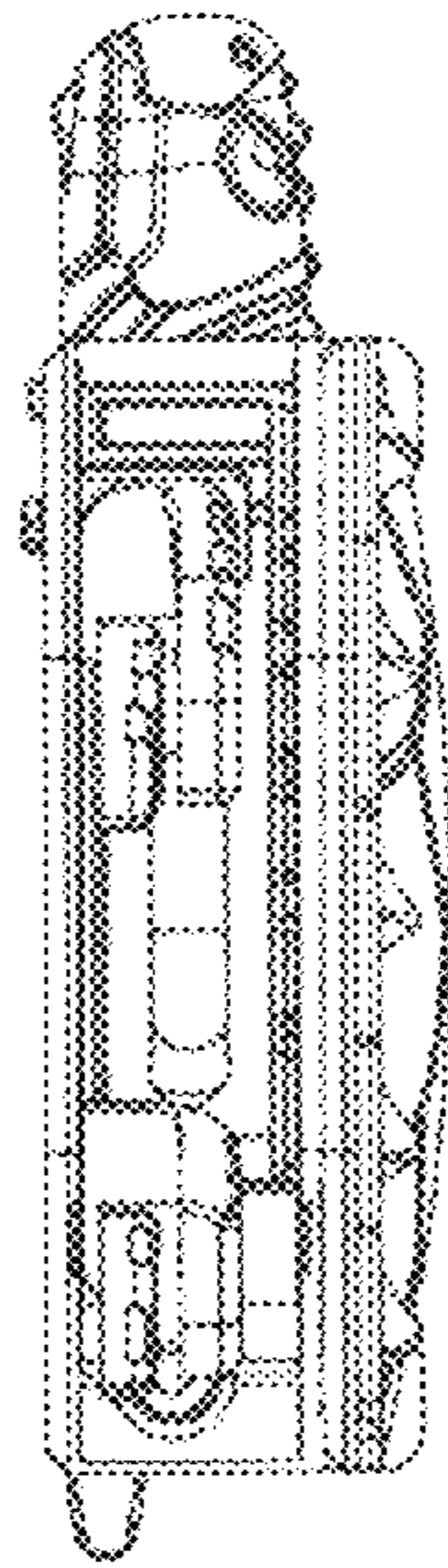


FIG. 5

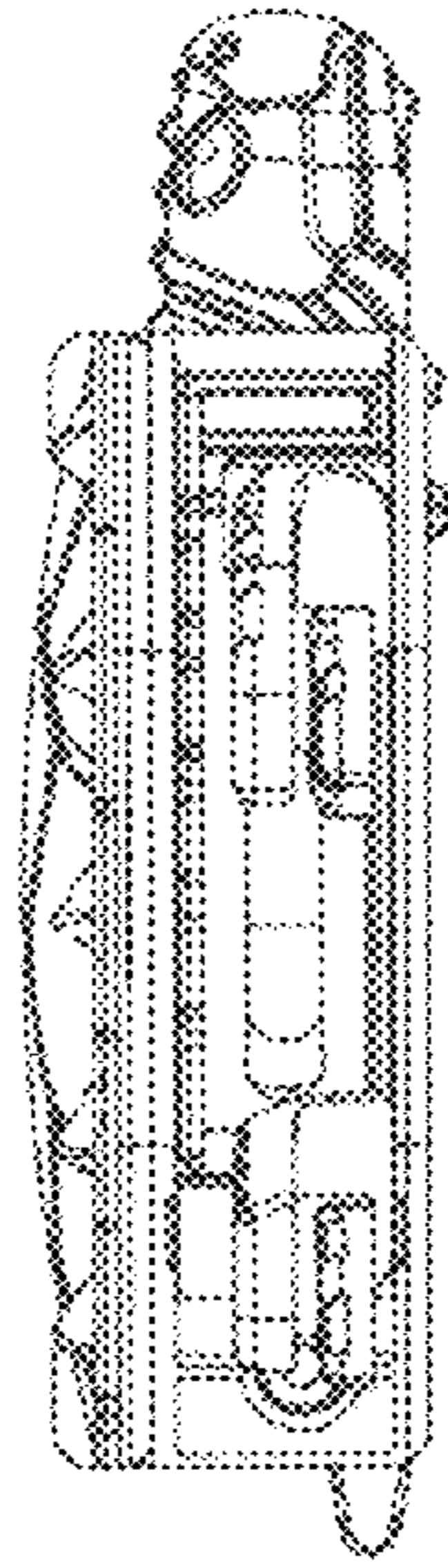


FIG. 6



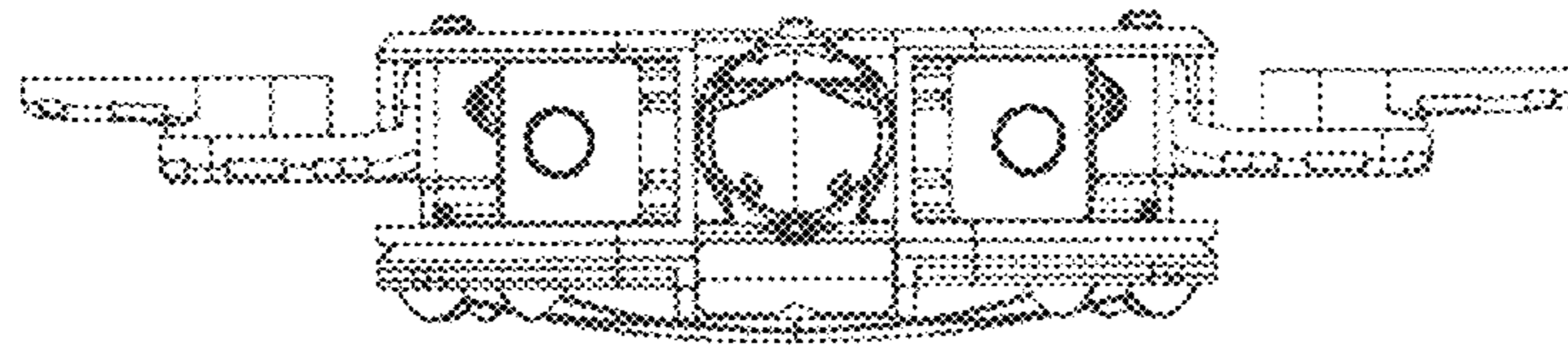


FIG. 7

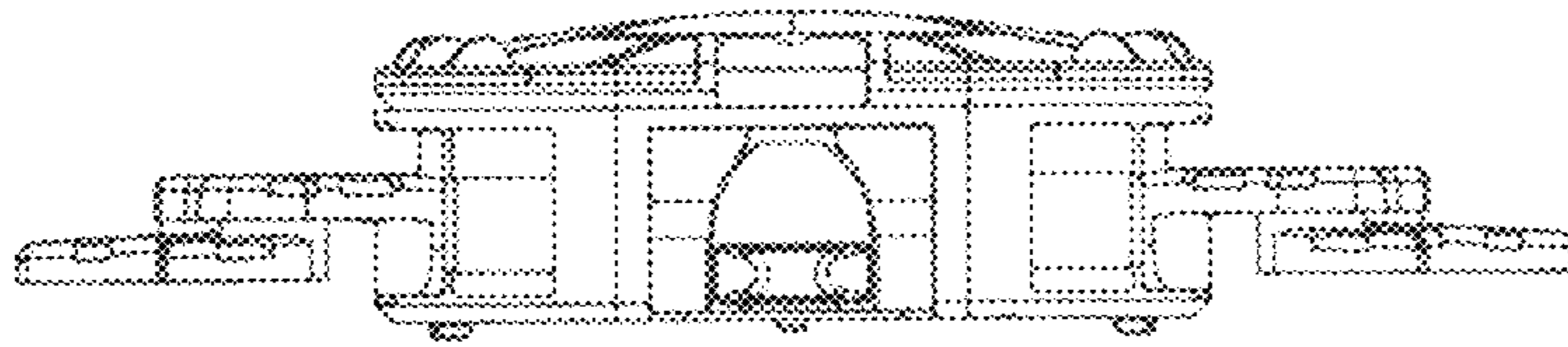


FIG. 8

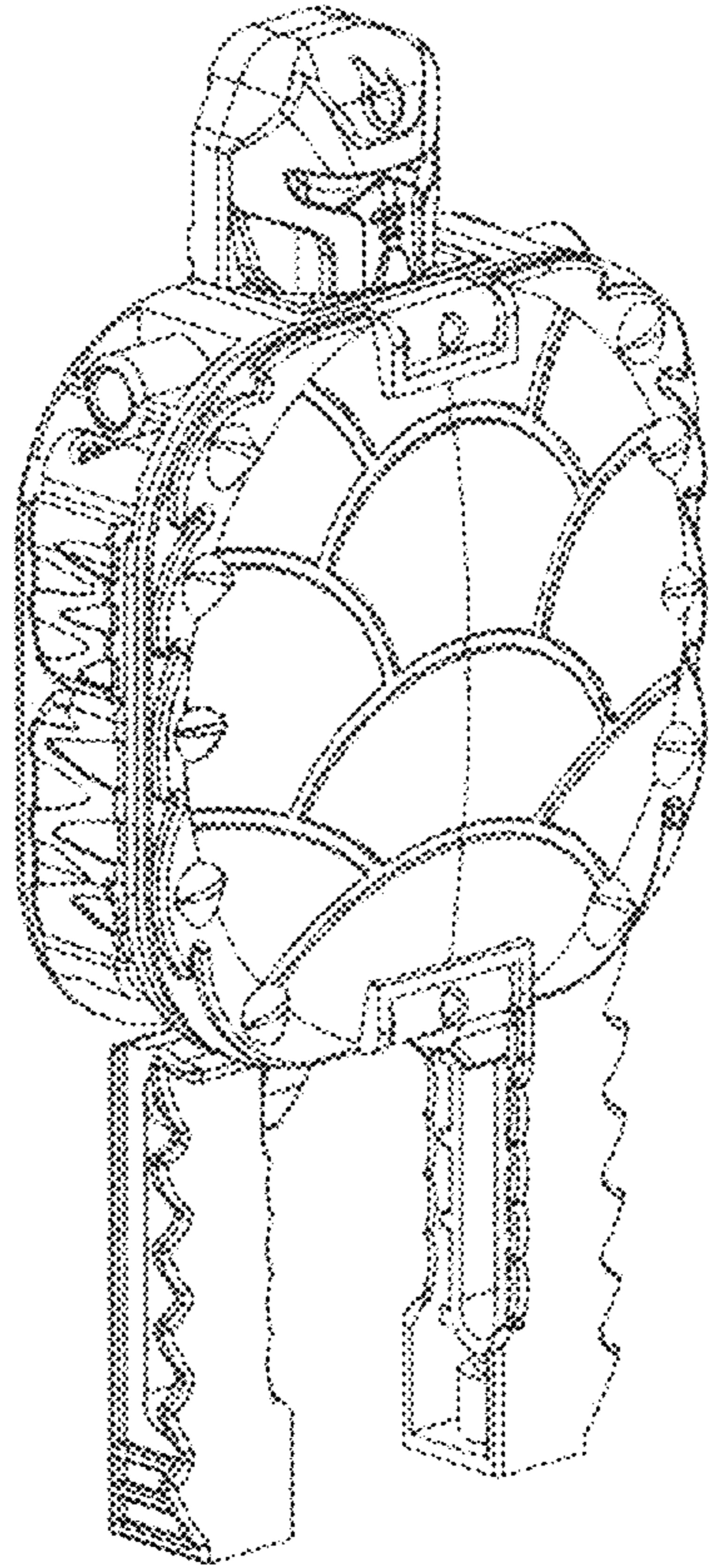


FIG. 9

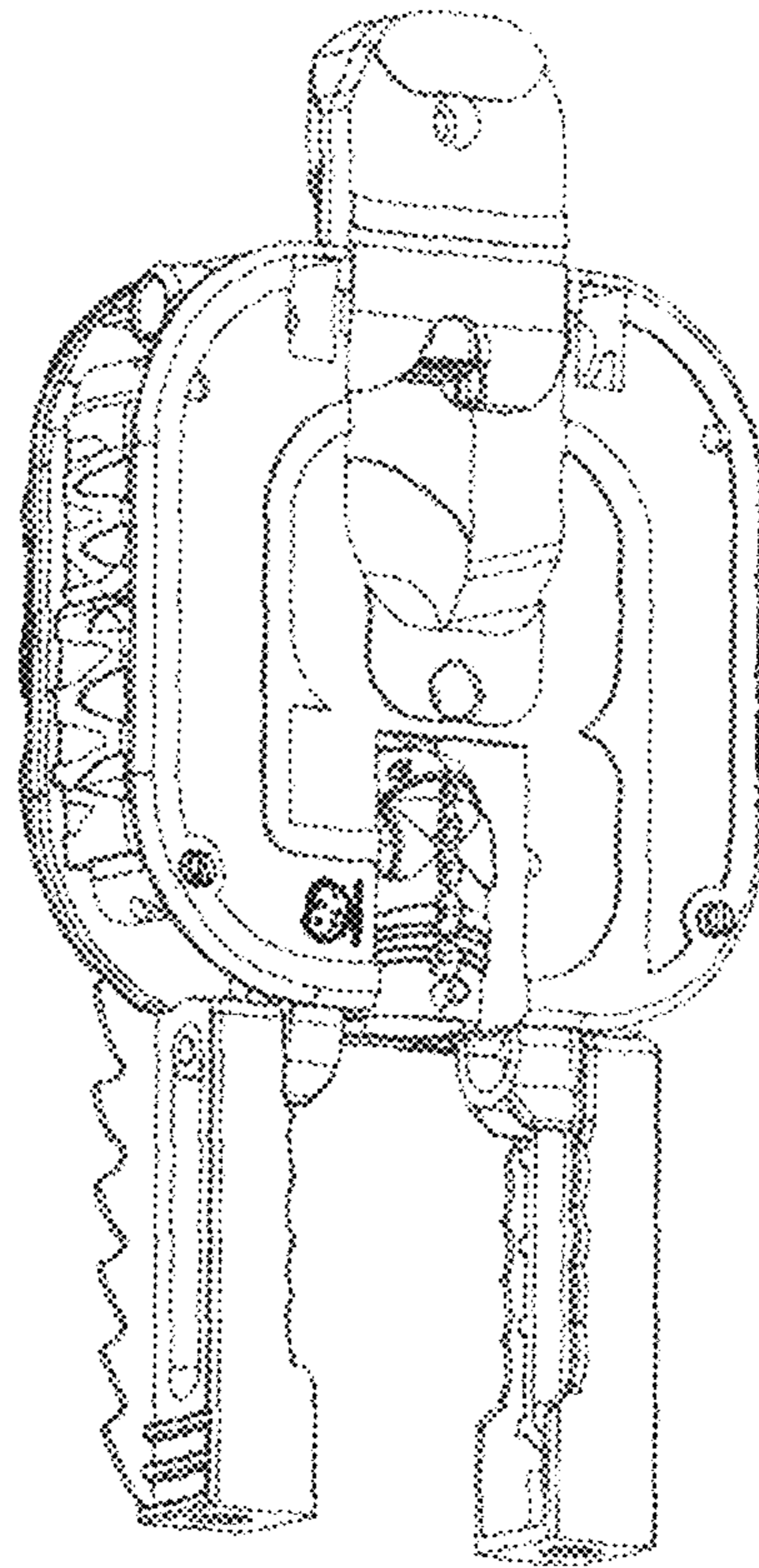


FIG. 10

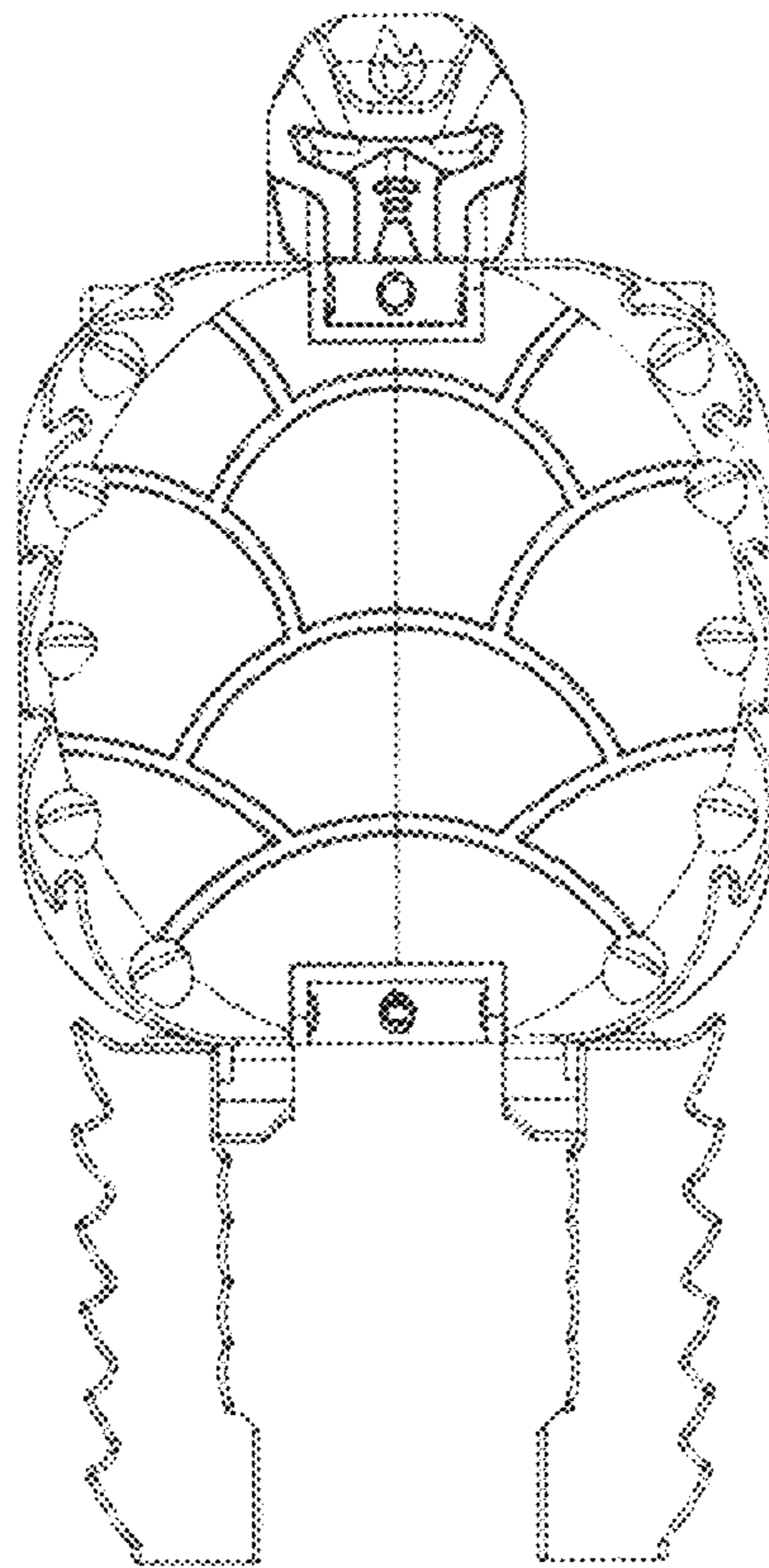


FIG. 11

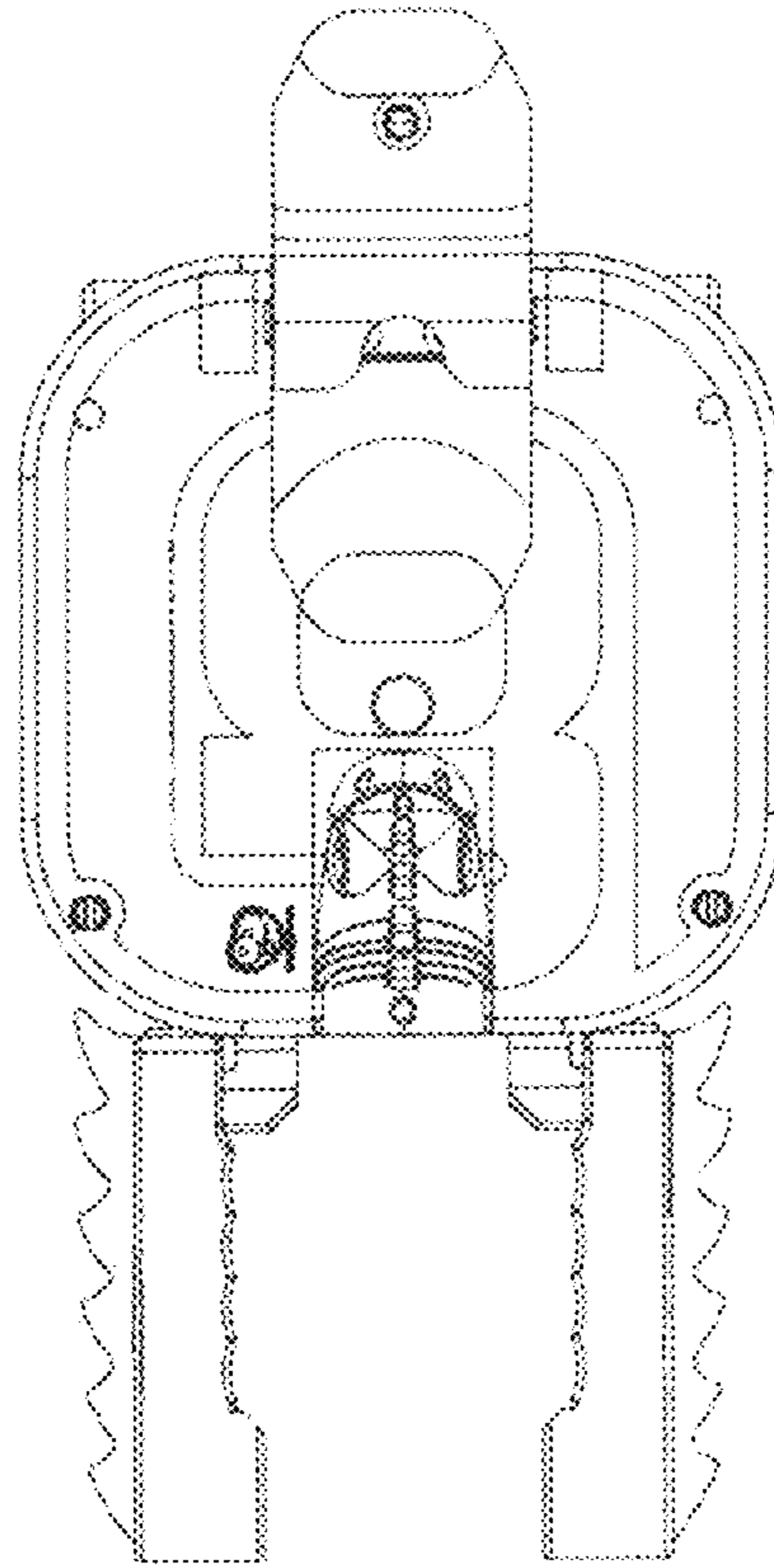


FIG. 12

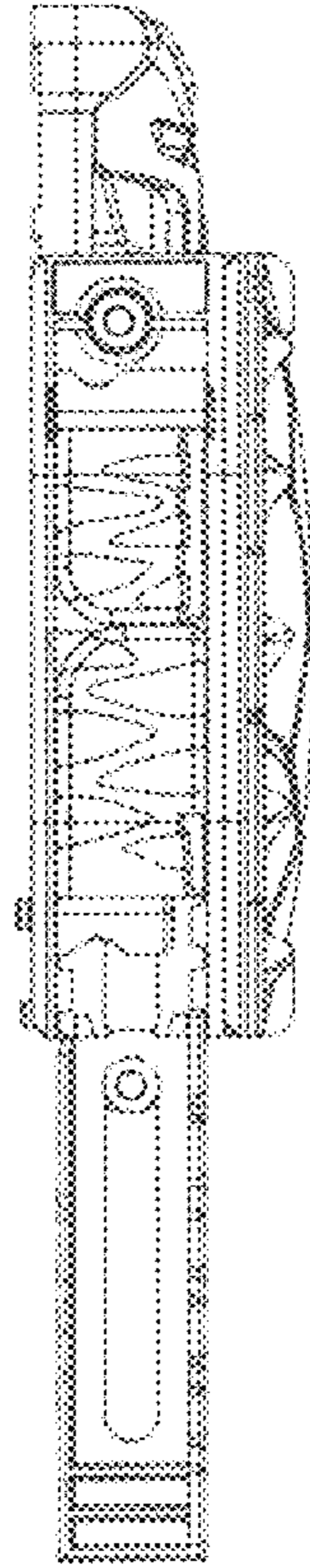


FIG. 13

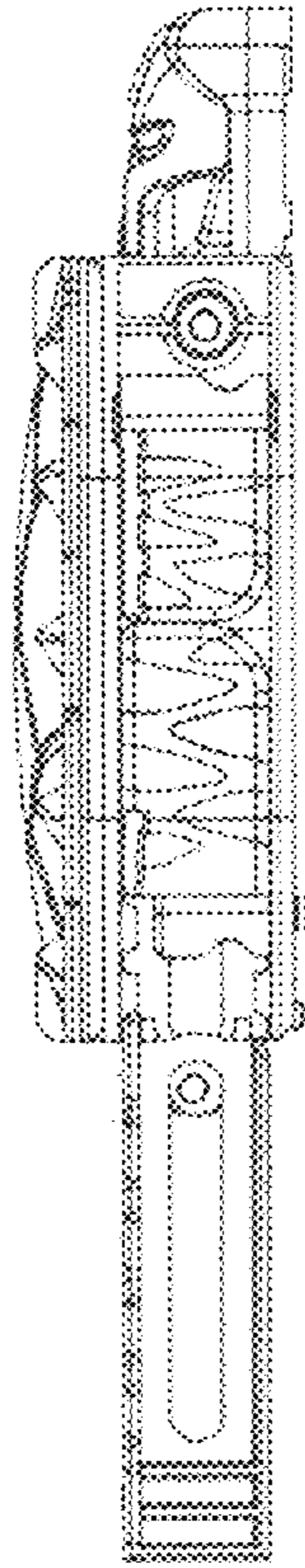


FIG. 14



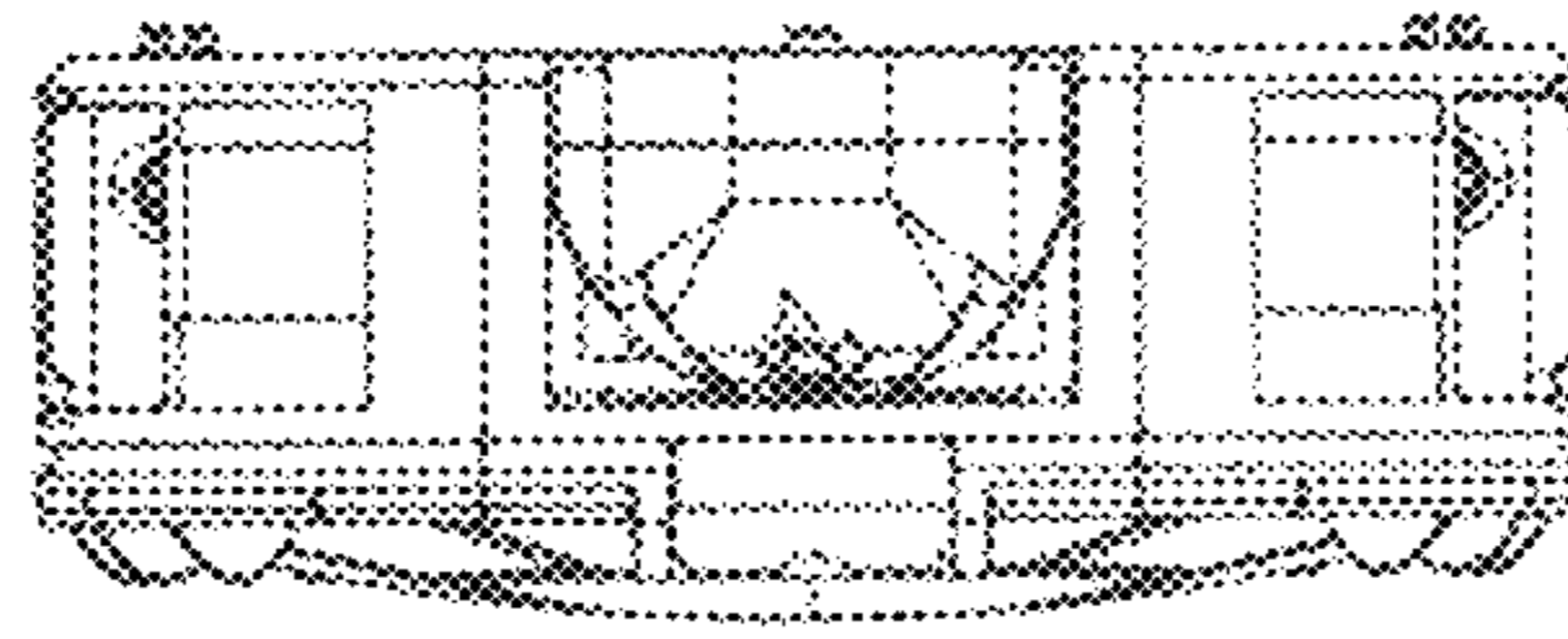


FIG. 15

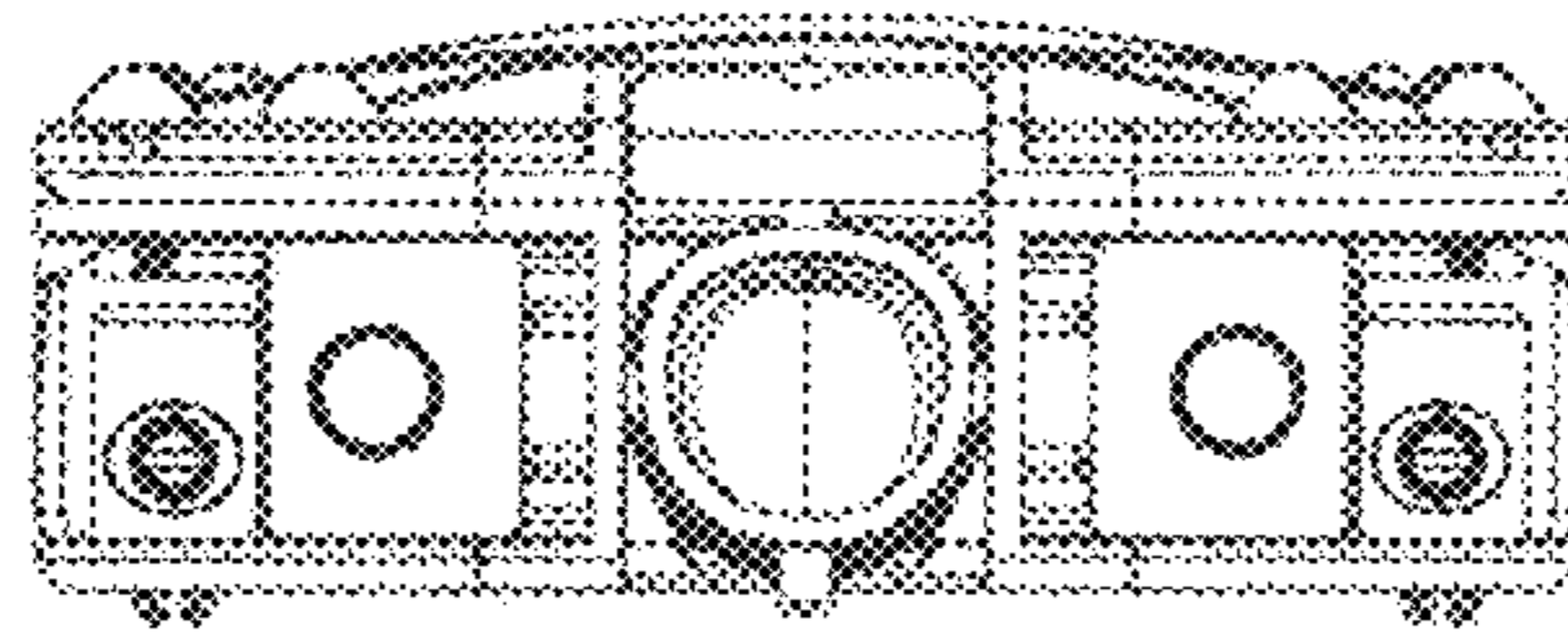


FIG. 16