



US00D892234S

(12) **United States Design Patent**
Fantino et al.

(10) **Patent No.:** **US D892,234 S**

(45) **Date of Patent:** **** Aug. 4, 2020**

(54) **TOY HAVING FOLDABLE PORTIONS**

(57) **CLAIM**

(71) Applicant: **CICABOOM S.r.L.**, Genoa (IT)

The ornamental design for a toy having foldable portions, as shown and described.

(72) Inventors: **Fulvio Fantino**, Genoa (IT); **Elisabetta Insole**, Genoa (IT)

(73) Assignee: **CICABOOM S.R.L.**, Genoa (IT)

DESCRIPTION

(**) Term: **15 Years**

(21) Appl. No.: **29/715,558**

(22) Filed: **Dec. 3, 2019**

(51) **LOC (12) Cl.** **21-01**

(52) **U.S. Cl.**
USPC **D21/584**; D21/806

(58) **Field of Classification Search**
USPC D6/598; D11/158–159, 162;
D21/576–596, 598, 606–609, 615;
446/99, 268, 368–369, 376, 428, 487;
180/8.6; D30/160
CPC ... A63H 3/00; A63H 3/02; A63H 3/04; A63H
3/16; A63H 3/28; A63H 3/36; A63H
7/06; A63H 11/00; A63H 11/10; A63H
11/20; A63H 11/205; A63H 13/00; A63H
33/04; A63H 33/08; A63H 33/042; A63H
23/10; A63H 5/00

See application file for complete search history.

(56) **References Cited**

U.S. PATENT DOCUMENTS

D298,562 S *	11/1988	Kitamura	D21/584
D305,050 S *	12/1989	Ishizawa	D21/579
D305,919 S *	2/1990	Shibukawa	D21/584
D306,047 S *	2/1990	Shinohara	D21/578
D306,623 S *	3/1990	Doi	D21/584

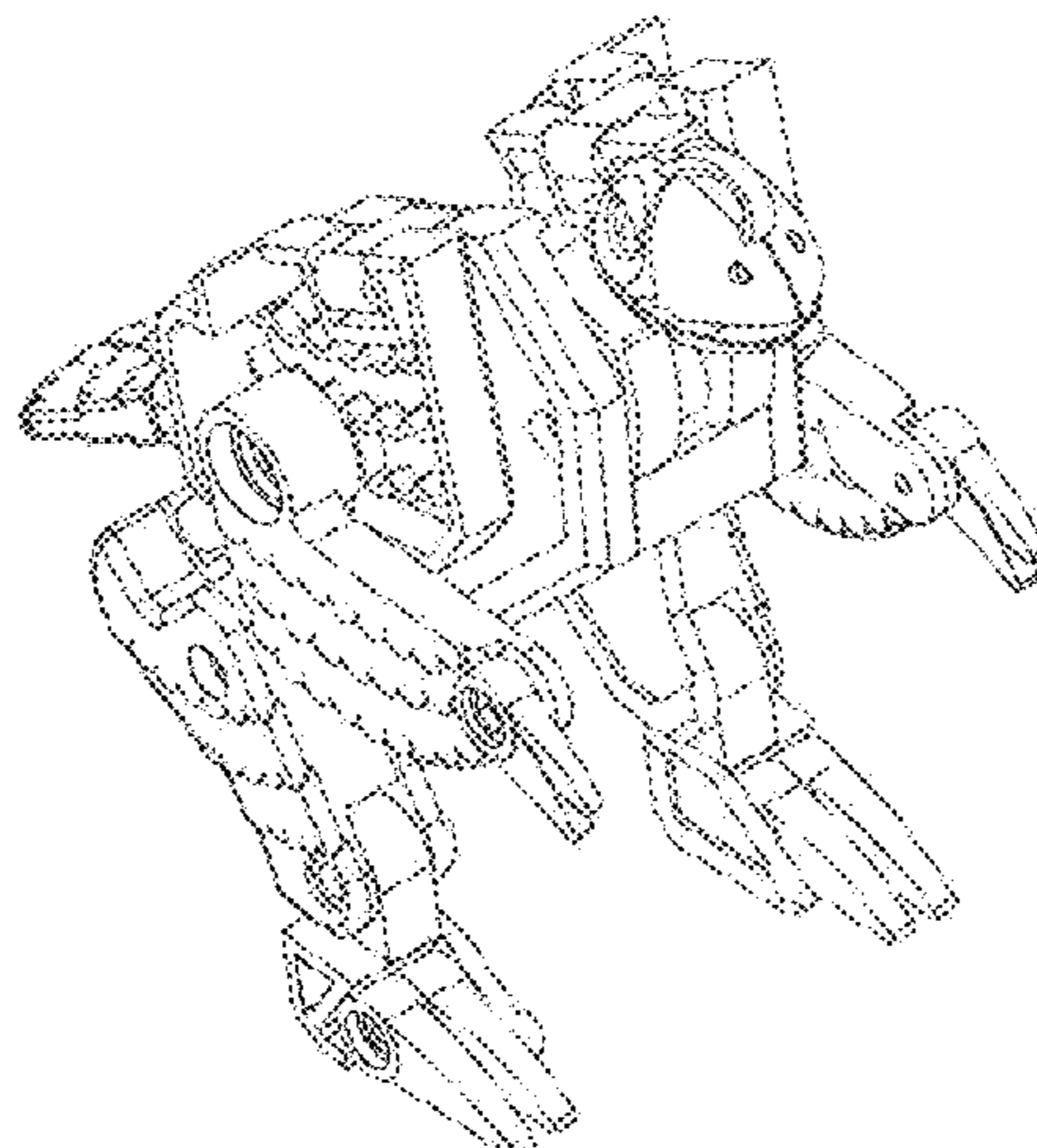
(Continued)

Primary Examiner — Sandra L Morris

(74) *Attorney, Agent, or Firm* — Mark Malek; Widerman Malek, PL

FIG. 1 is a front perspective view of a toy having foldable portions according to the present invention.
 FIG. 2 is a rear perspective view of the toy having foldable portions illustrated in FIG. 1.
 FIG. 3 is a front elevation view of the toy having foldable portions illustrated in FIG. 1.
 FIG. 4 is a rear elevation view of the toy having foldable portions illustrated in FIG. 1.
 FIG. 5 is a side elevation view of the toy having foldable portions illustrated in FIG. 1.
 FIG. 6 is another side elevation view of the toy having foldable portions illustrated in FIG. 1.
 FIG. 7 is a top plan view of the toy having foldable portions illustrated in FIG. 1.
 FIG. 8 is a bottom plan view of the toy having foldable portions illustrated in FIG. 1.
 FIG. 9 is a front elevation view of the toy having foldable portions illustrated in FIG. 1 and having portions of the toy positioned in a folded position.
 FIG. 10 is a rear elevation view of the toy having foldable portions illustrated in FIG. 1 and having portions of the toy positioned in a folded position.
 FIG. 11 is a side elevation view of the toy having foldable portions illustrated in FIG. 1 and having portions of the toy positioned in a folded position.
 FIG. 12 is another side elevation view of the toy having foldable portions illustrated in FIG. 1 and having portions of the toy positioned in a folded position.
 FIG. 13 is a top plan view of the toy having foldable portions illustrated in FIG. 1 and having portions of the toy positioned in a folded position; and,
 FIG. 14 is a bottom plan view of the toy having foldable portions illustrated in FIG. 1 and having portions of the toy positioned in a folded position.

1 Claim, 14 Drawing Sheets



(56)

References Cited

U.S. PATENT DOCUMENTS

D507,024 S	*	7/2005	Okutsu	D21/578
D507,607 S	*	7/2005	Nakase	D21/578
D678,429 S	*	3/2013	Sato	D21/584
D848,547 S	*	5/2019	Cummings	D21/609

* cited by examiner

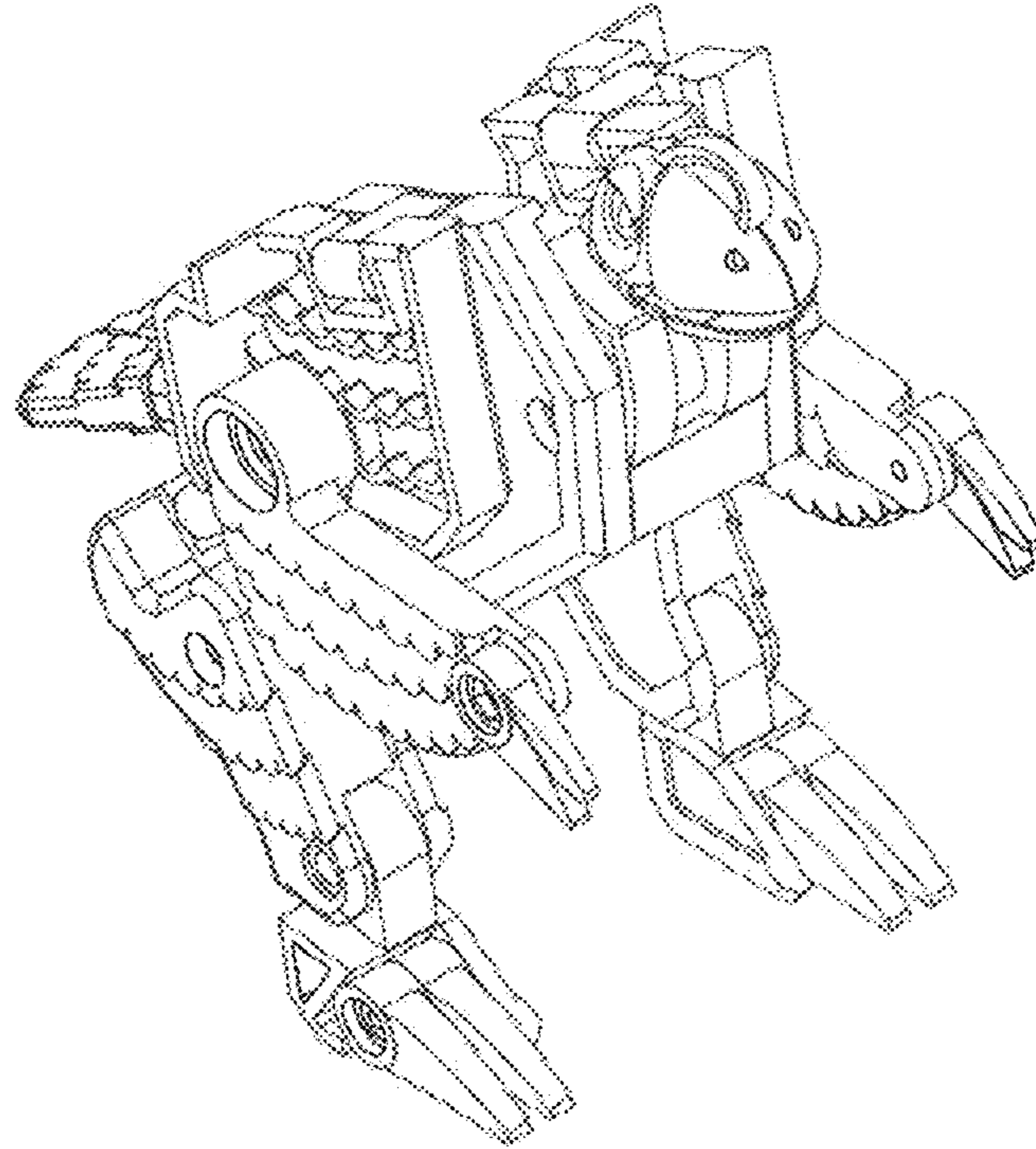


FIG. 1

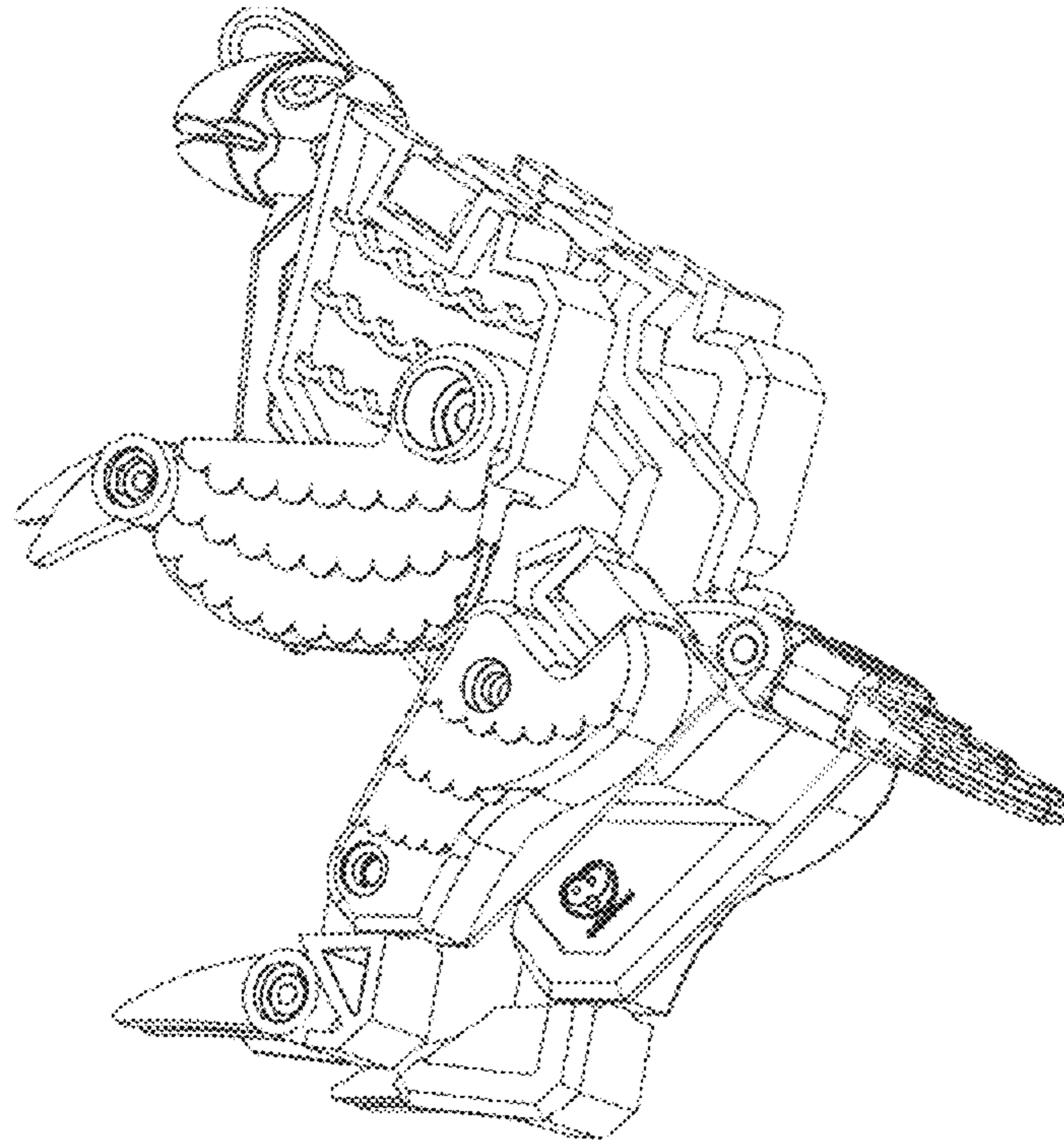


FIG. 2

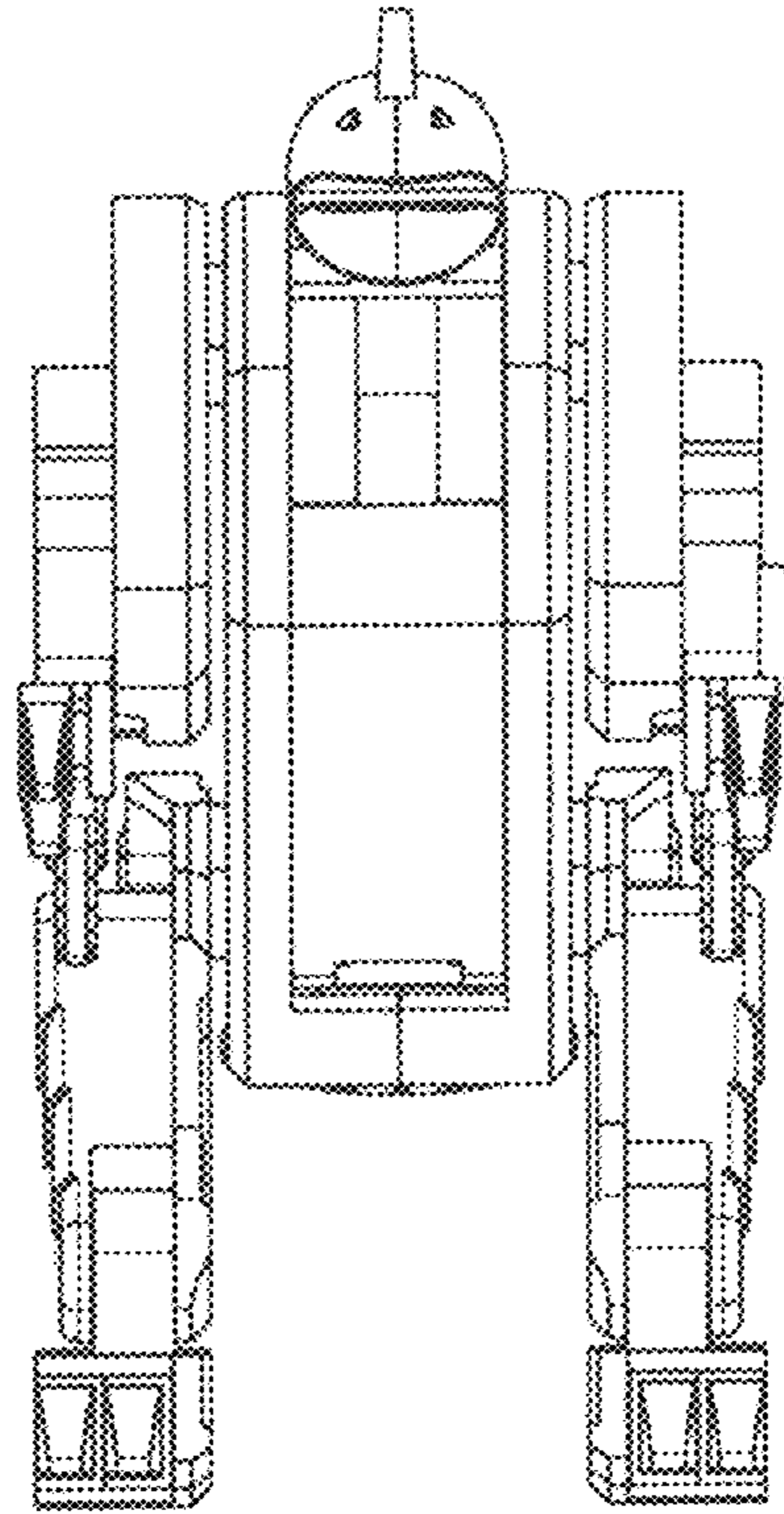


FIG. 3

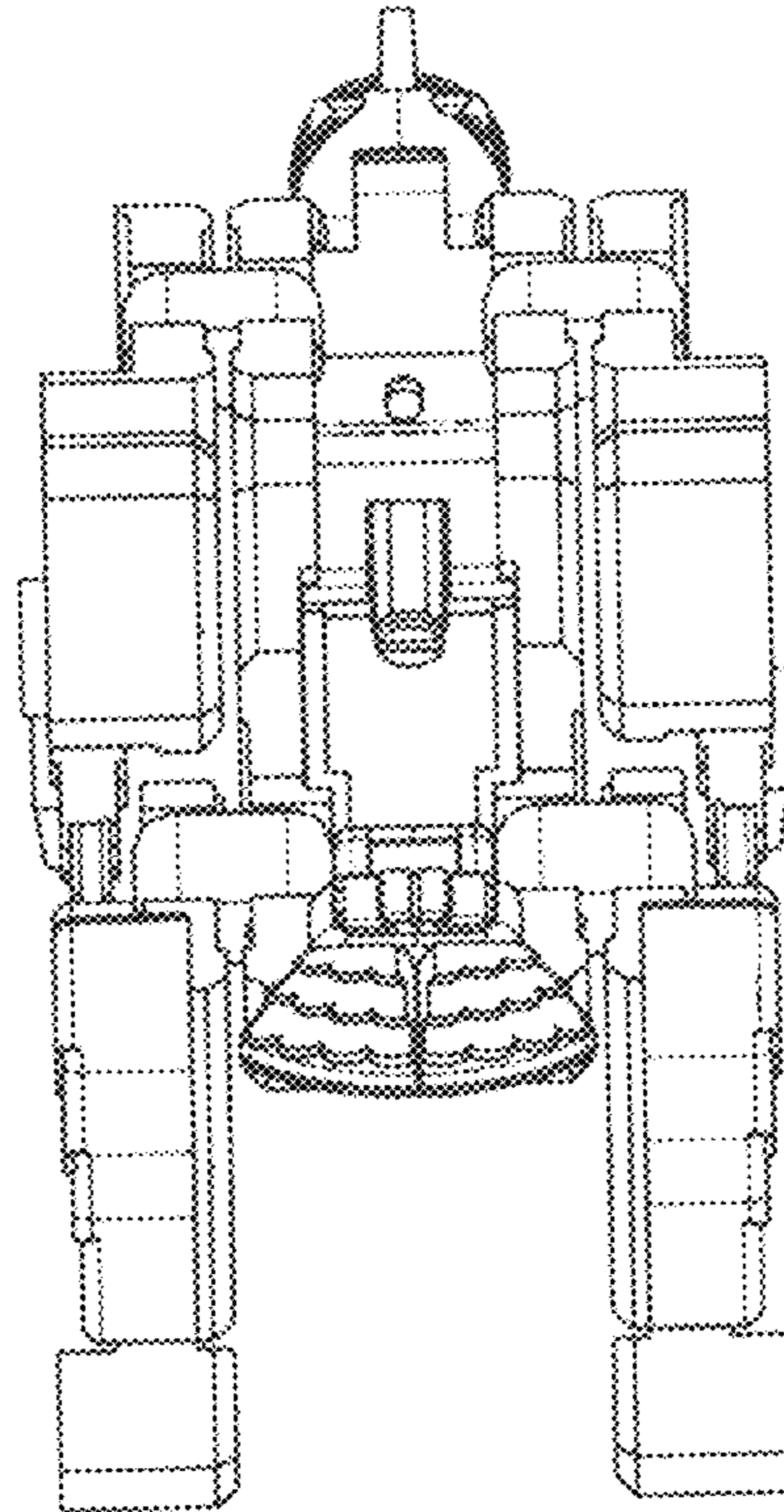


FIG. 4

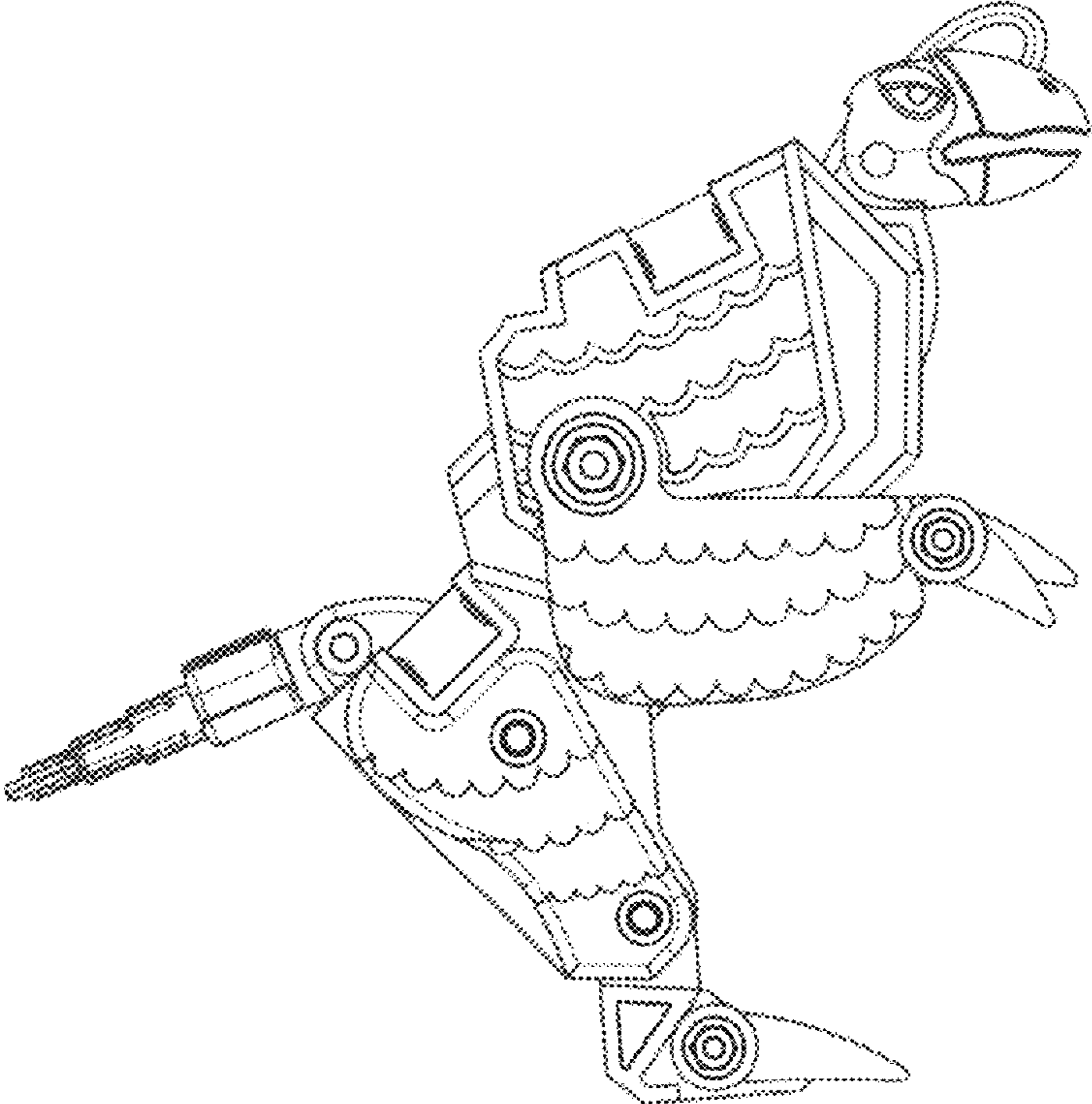


FIG. 5

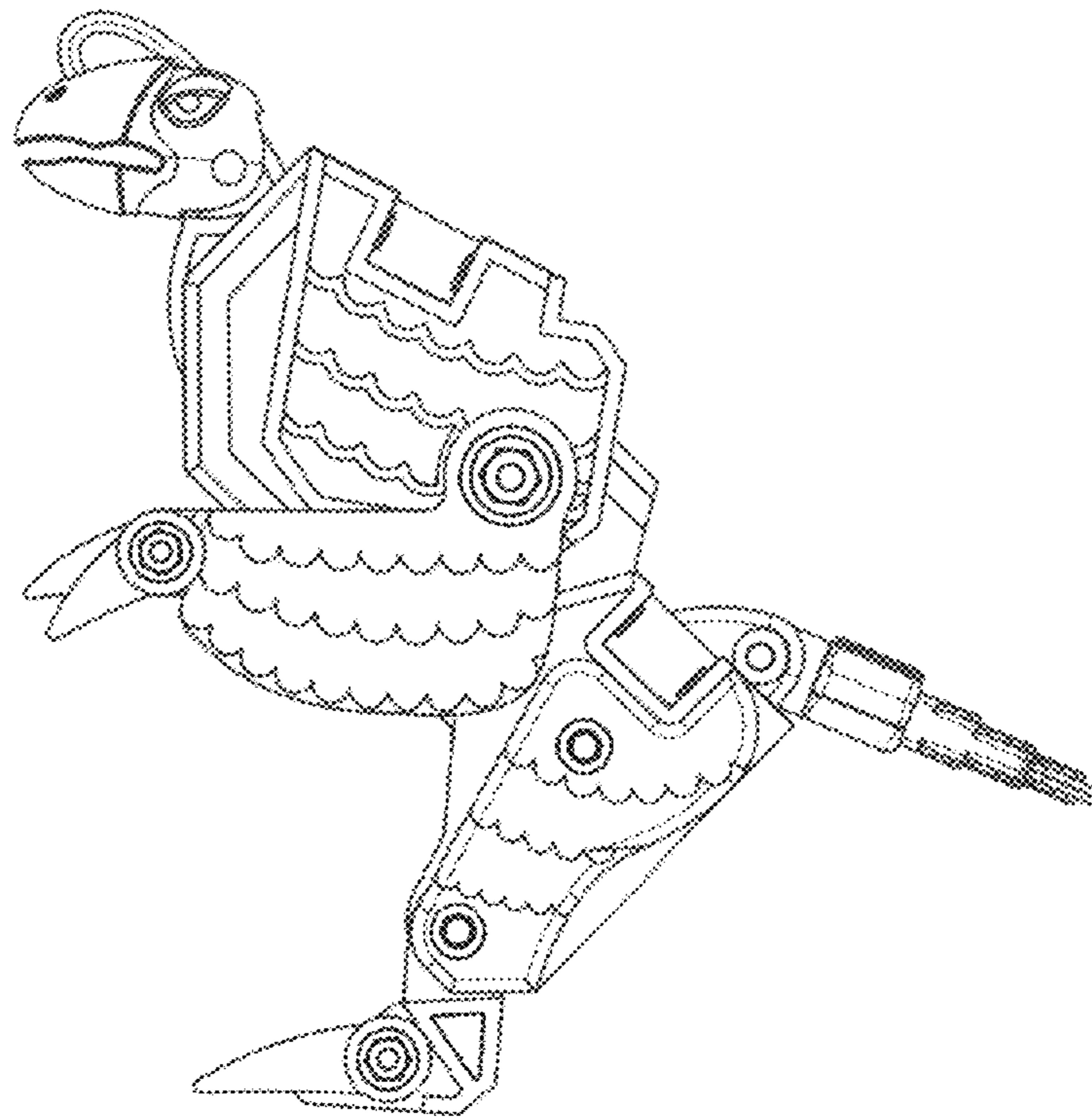


FIG. 6

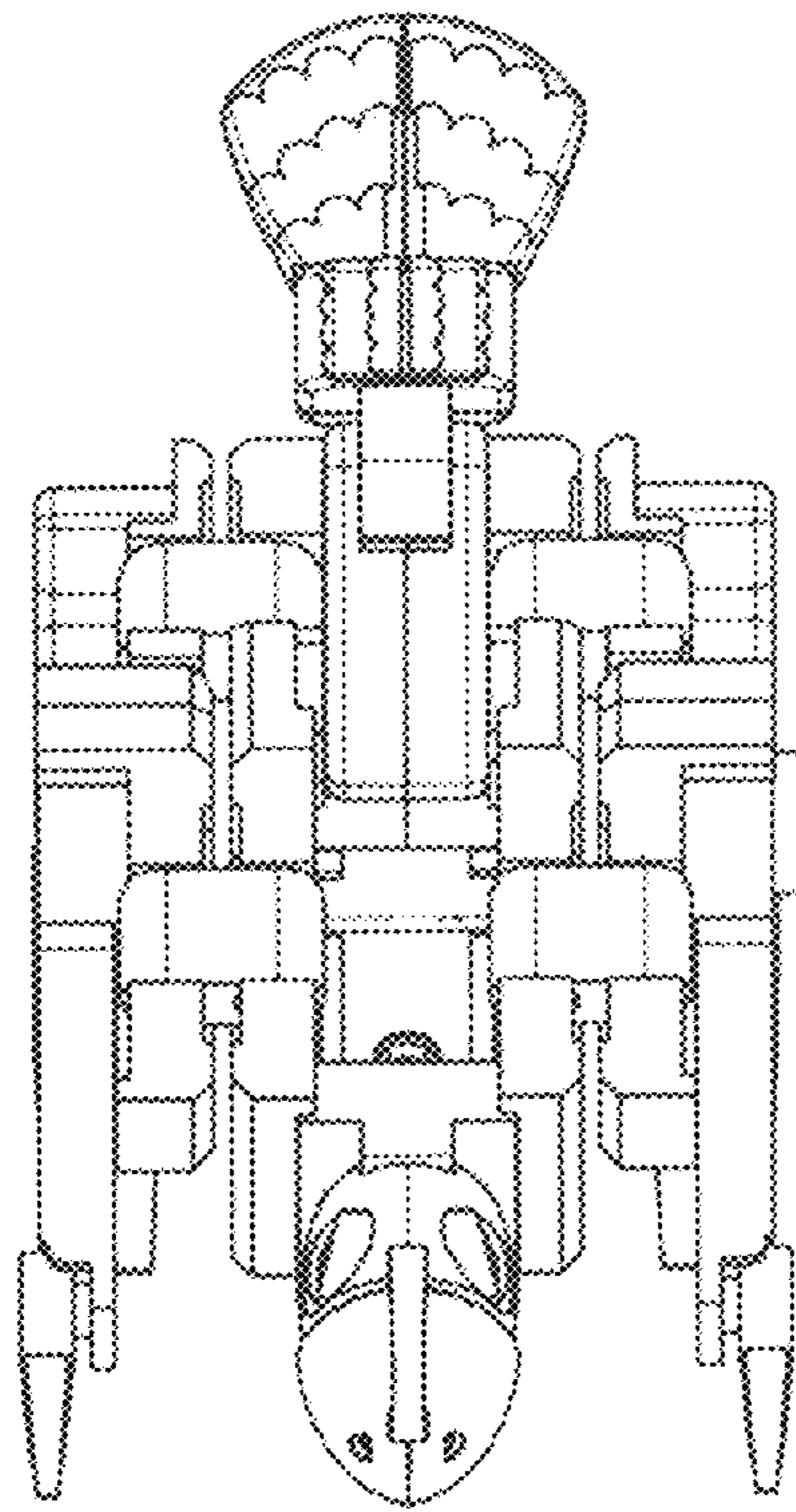


FIG. 7

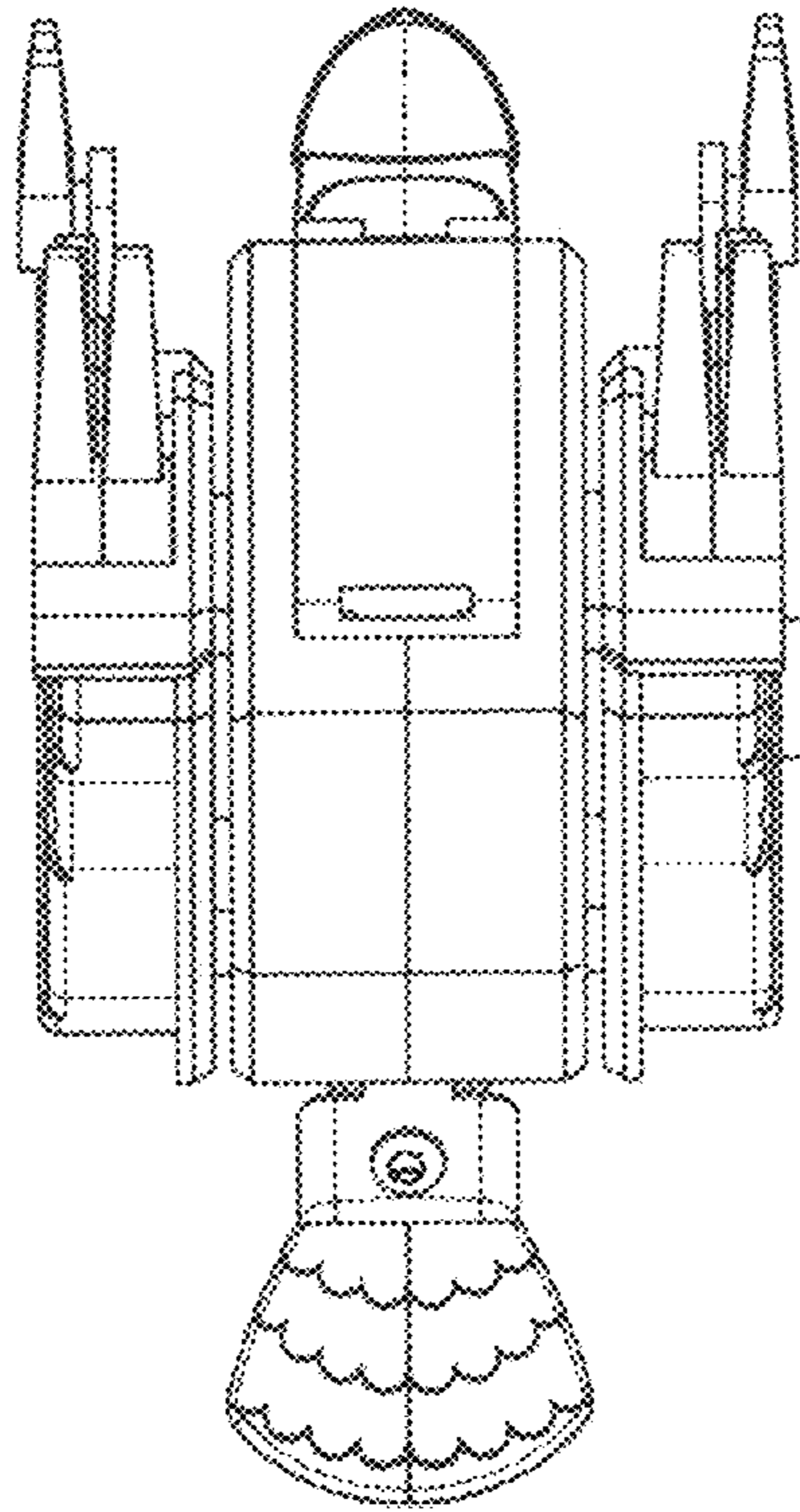


FIG. 8

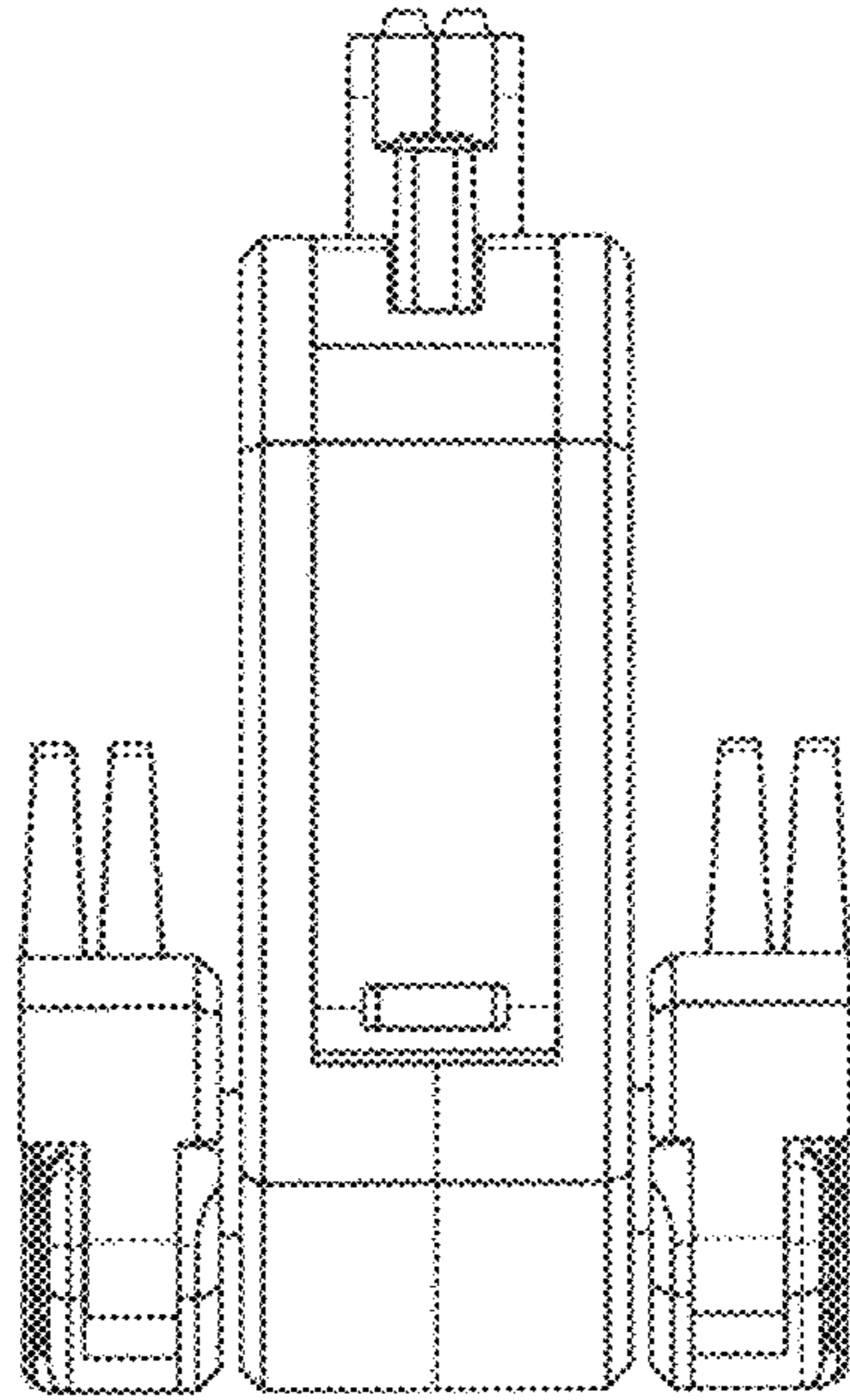


FIG. 9

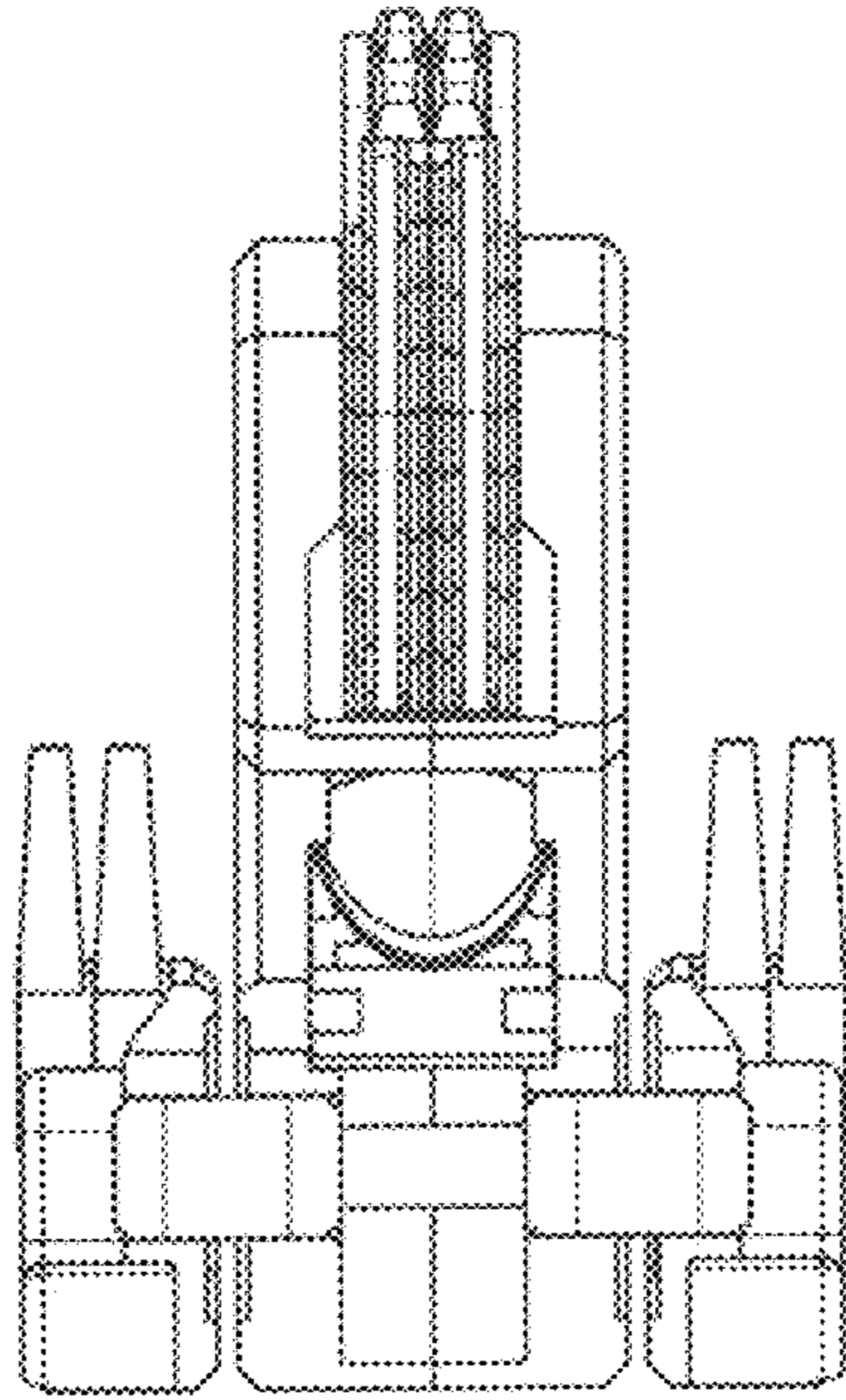


FIG. 10

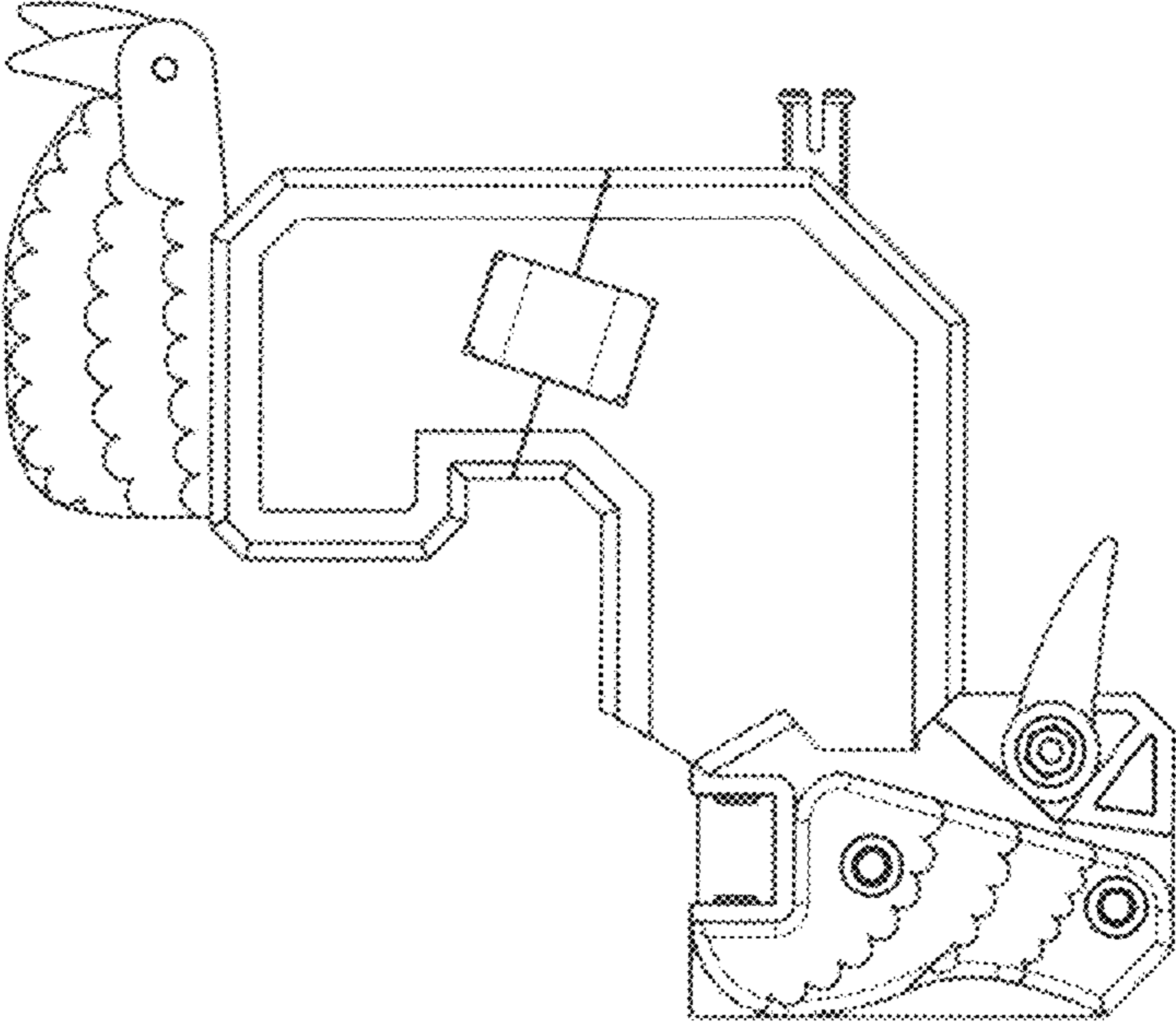


FIG. 11

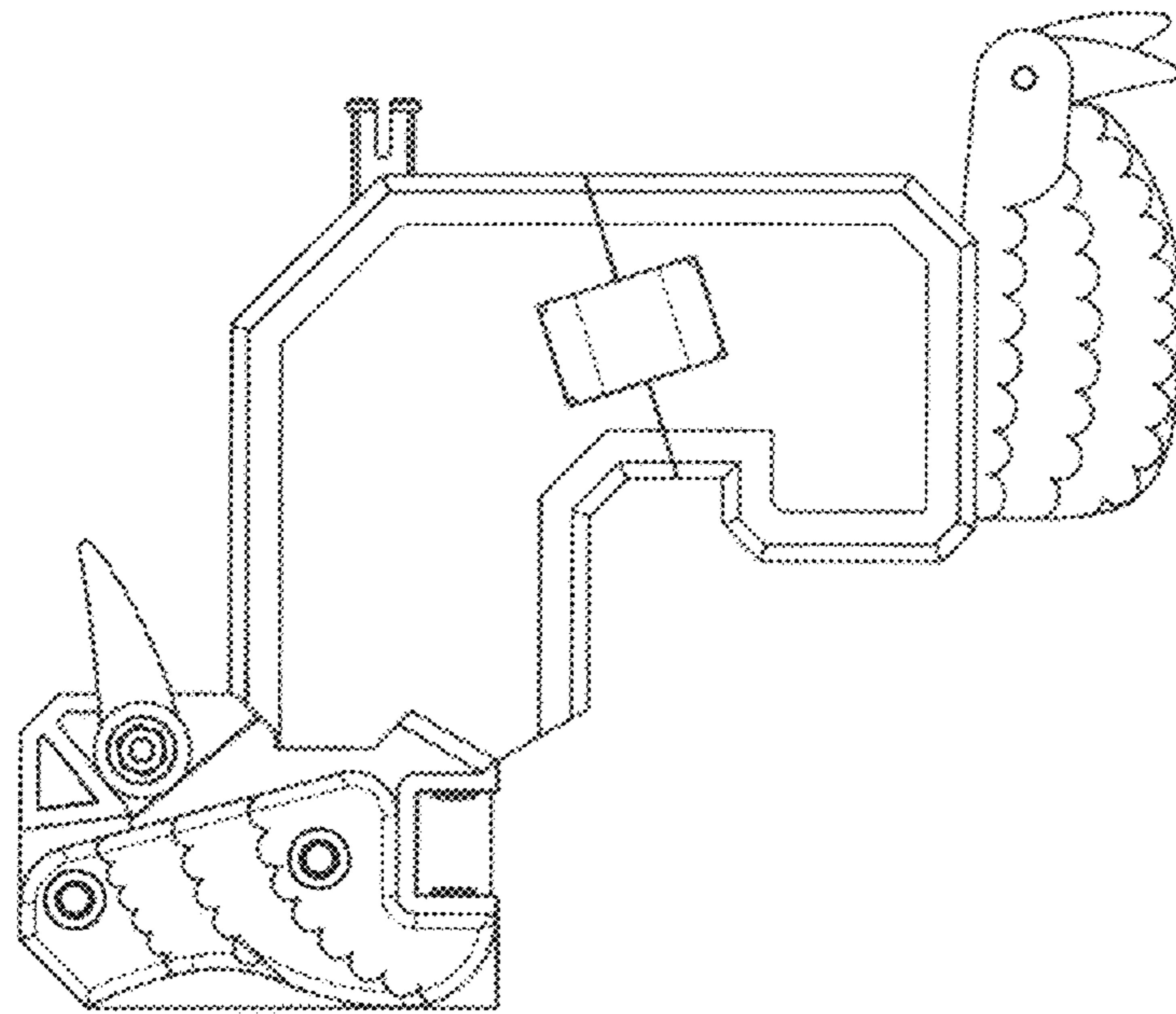


FIG. 12

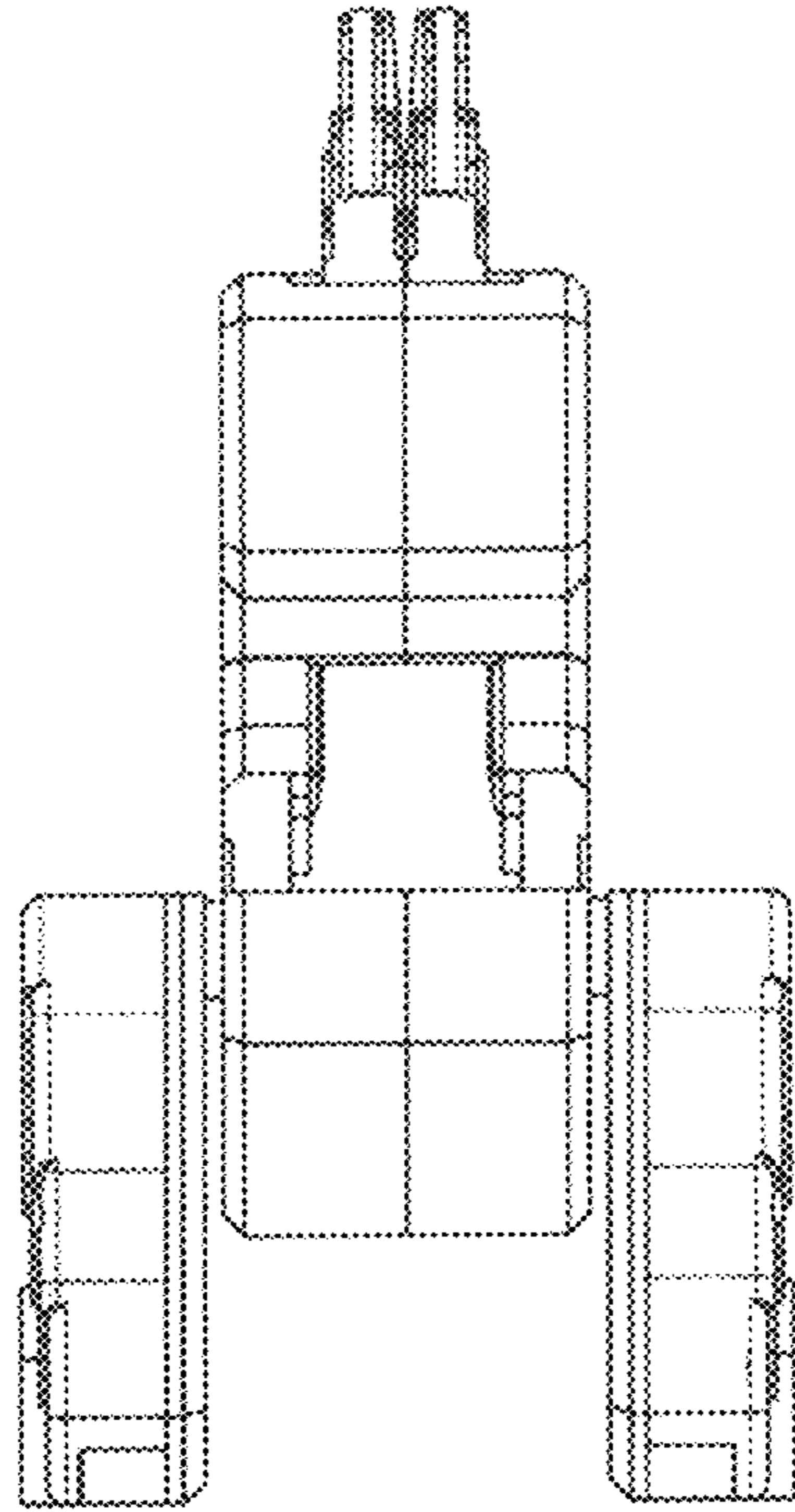


FIG. 13

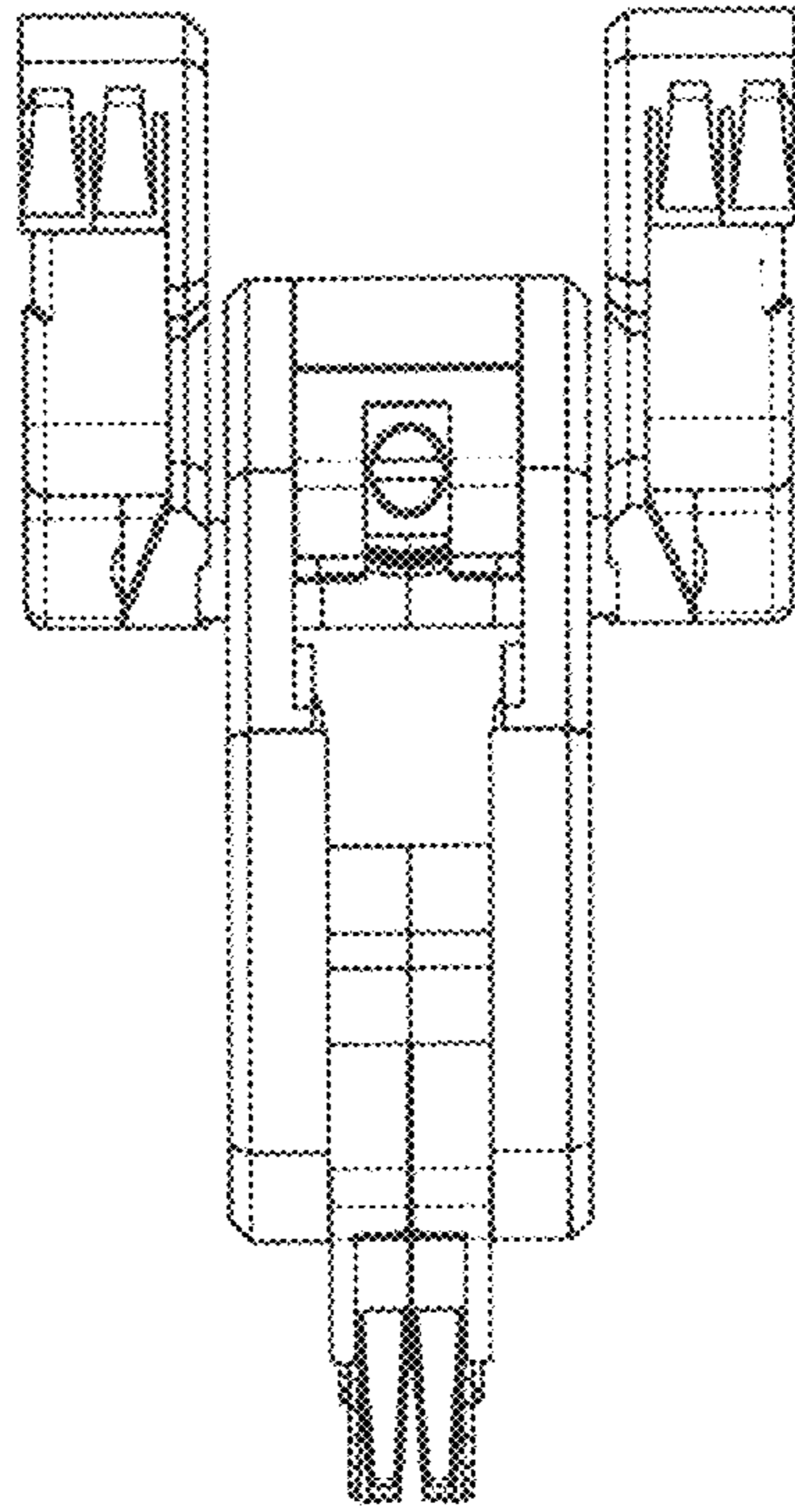


FIG. 14