



US00D892228S

(12) **United States Design Patent**  
**Waxkirsh**

(10) **Patent No.:** **US D892,228 S**

(45) **Date of Patent:** **\*\* Aug. 4, 2020**

- (54) **TOP HAT GAME DEVICE**
- (71) Applicant: **GW Development UK Limited**,  
London (GB)
- (72) Inventor: **Gavin Waxkirsh**, London (GB)
- (73) Assignee: **GW DEVELOPMENT UK LIMITED**, London (GB)
- (\*\*) Term: **15 Years**
- (21) Appl. No.: **29/651,460**
- (22) Filed: **Aug. 16, 2018**

- 3,398,955 A \* 8/1968 Rakestraw ..... A63B 69/0079  
273/335
- D223,269 S \* 4/1972 Collver ..... D21/466
- D266,860 S \* 11/1982 Nelson ..... D21/717
- D299,362 S \* 1/1989 Malfitano ..... D21/722
- 5,275,419 A \* 1/1994 Kazemi ..... A42B 1/004  
2/195.1
- 5,368,306 A \* 11/1994 Madsen ..... A63B 67/083  
473/510
- 5,707,062 A \* 1/1998 Perillo ..... A63B 63/08  
273/354
- D422,647 S \* 4/2000 Palardis ..... D21/406
- D755,898 S \* 5/2016 Blanchard ..... D21/302
- 10,179,267 B1 \* 1/2019 Walker, Jr. .... A63B 47/001
- 2014/0091525 A1 \* 4/2014 Ramirez ..... A63B 63/08  
273/402
- 2017/0197128 A1 \* 7/2017 Peterson ..... A63B 43/06

(30) **Foreign Application Priority Data**

Feb. 16, 2018 (GB) ..... 6028070

(51) **LOC (12) Cl.** ..... **21-01**

(52) **U.S. Cl.**  
USPC ..... **D21/466; D21/309**

(58) **Field of Classification Search**  
USPC ..... D21/300–303, 309, 465, 466, 468, 483,  
D21/719, 722, 723; 273/329–335, 400,  
273/401; 473/424, 425, 430, 506–508;  
D2/865, 866, 886  
CPC ..... A63B 63/00; A63B 63/08; A63B 67/083;  
A63B 67/10; A63B 67/22  
See application file for complete search history.

(56) **References Cited**

**U.S. PATENT DOCUMENTS**

- 2,515,226 A \* 7/1950 Horwitch ..... A63B 67/22  
473/508
- D174,414 S \* 4/1955 Carlesco ..... D21/466
- 2,958,156 A \* 11/1960 Schmahl ..... A63B 21/0608  
446/27
- 3,126,204 A \* 3/1964 Devlin ..... A63B 67/22  
273/329
- 3,172,661 A \* 3/1965 Scheemaeker ..... A63B 63/00  
473/454

**FOREIGN PATENT DOCUMENTS**

FR 911977 A \* 7/1946 ..... A63B 67/22

\* cited by examiner

*Primary Examiner* — Catherine A Tuttle

(74) *Attorney, Agent, or Firm* — Conley Rose, P.C.

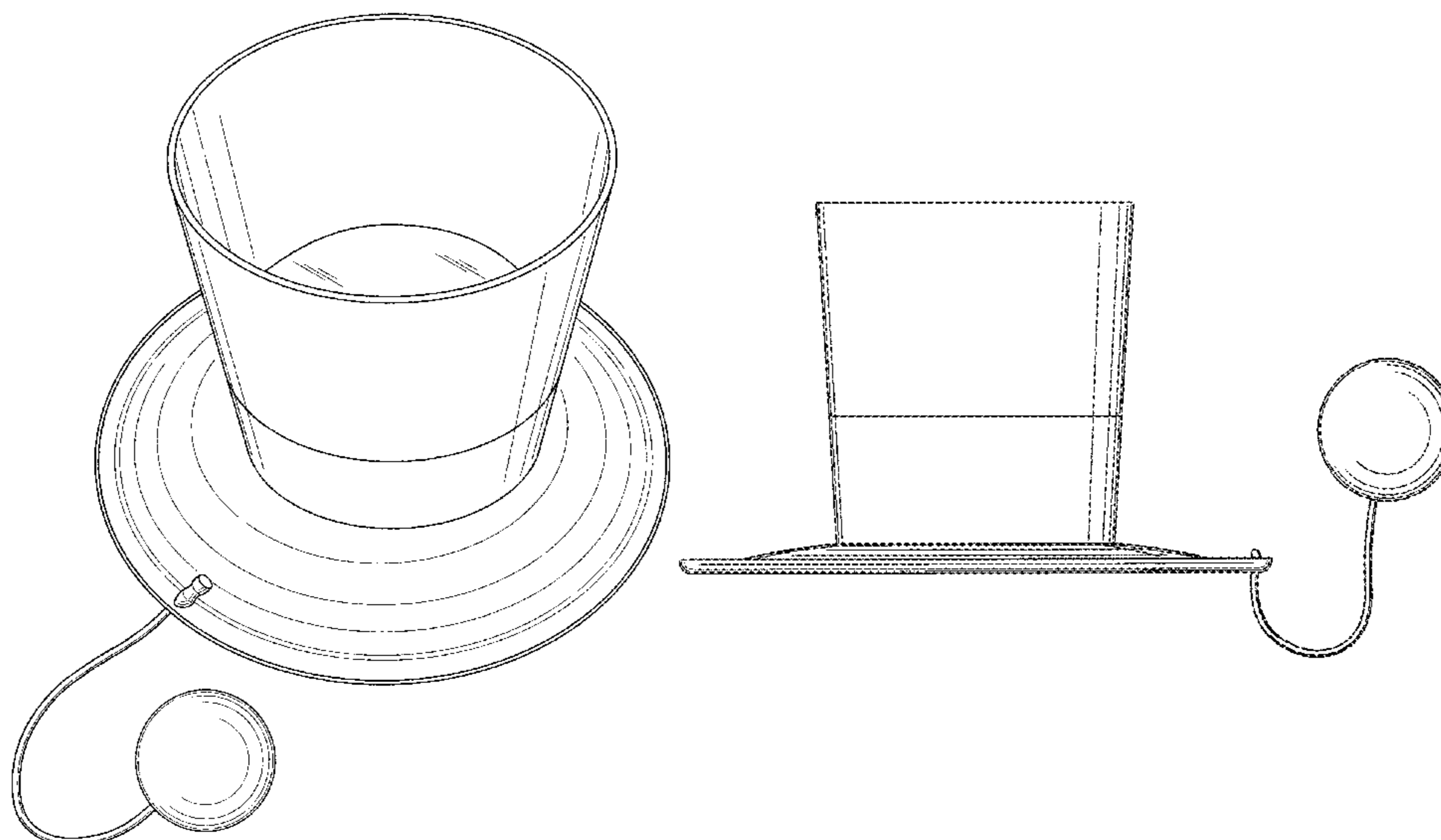
(57) **CLAIM**

The ornamental design for a top hat game device, as shown and described.

**DESCRIPTION**

FIG. 1 is a top perspective view of the top hat game device showing my new design;  
FIG. 2 is another top perspective view thereof;  
FIG. 3 is a bottom perspective view thereof;  
FIG. 4 is a side elevational view thereof;  
FIG. 5 is a top plan view thereof; and,  
FIG. 6 is a bottom plan view thereof.  
The apparent variations in the length of the tether and dimensions of the securing element are due to their alternate positions shown in the different viewpoints.

**1 Claim, 6 Drawing Sheets**



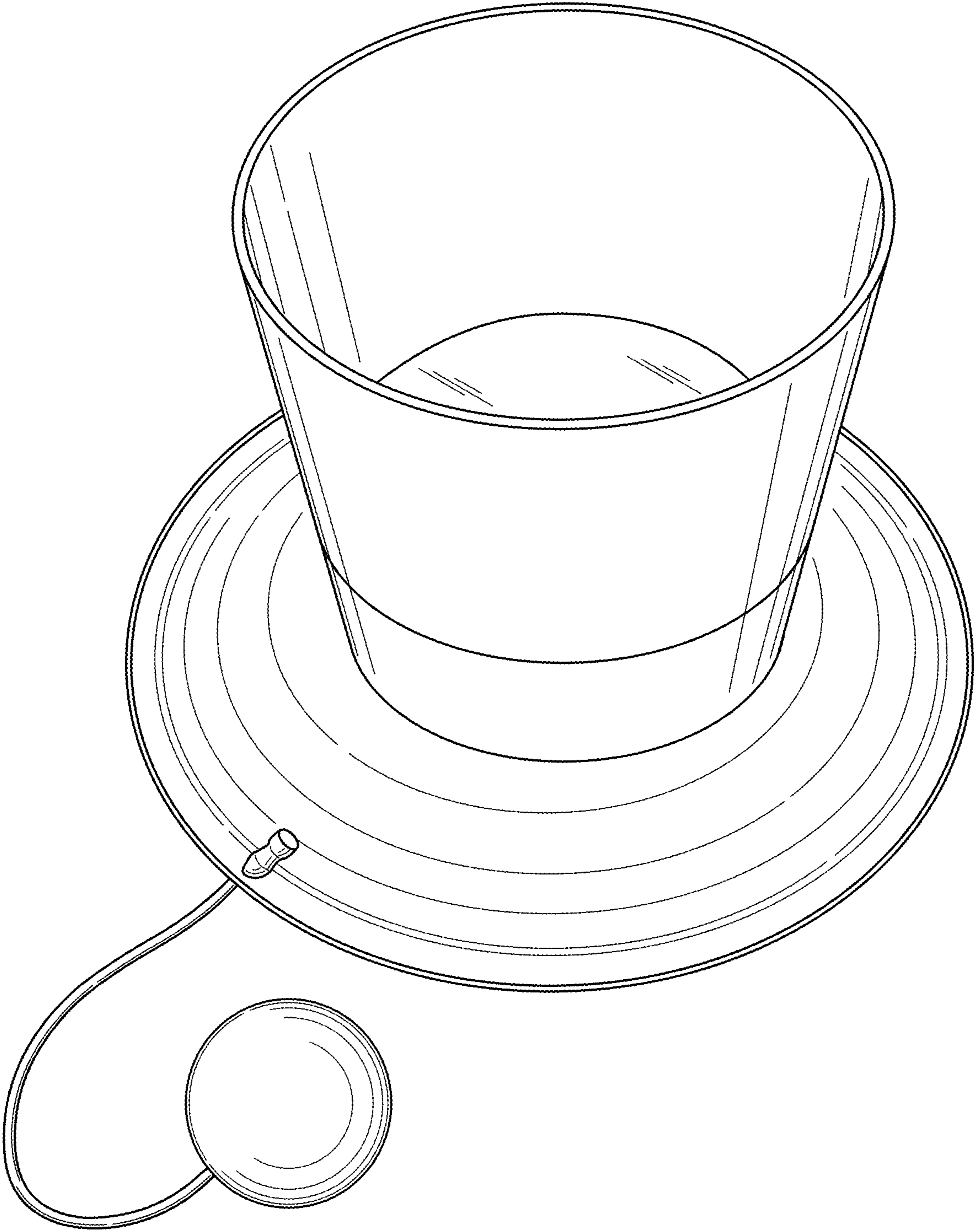
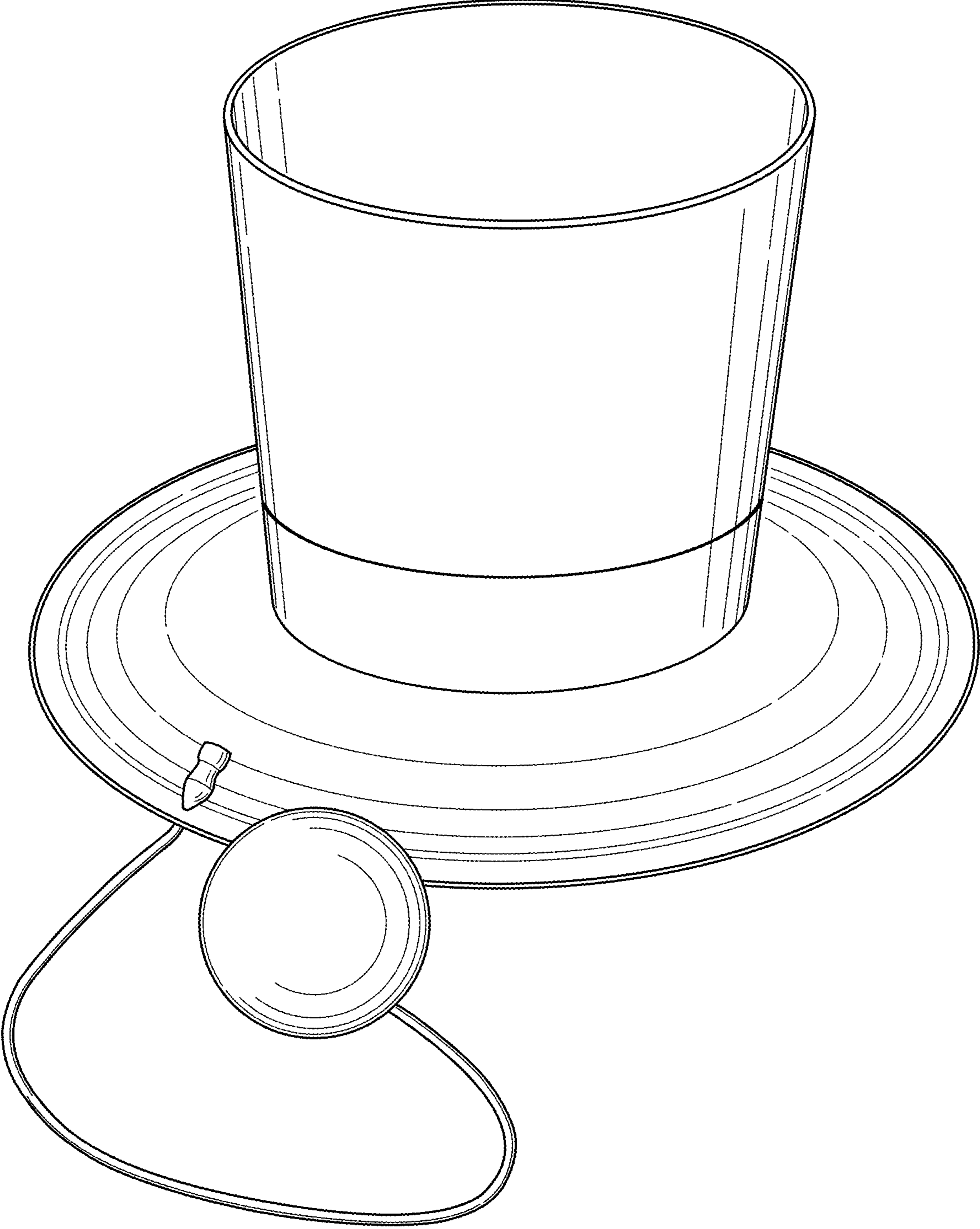


FIG. 1



**FIG. 2**

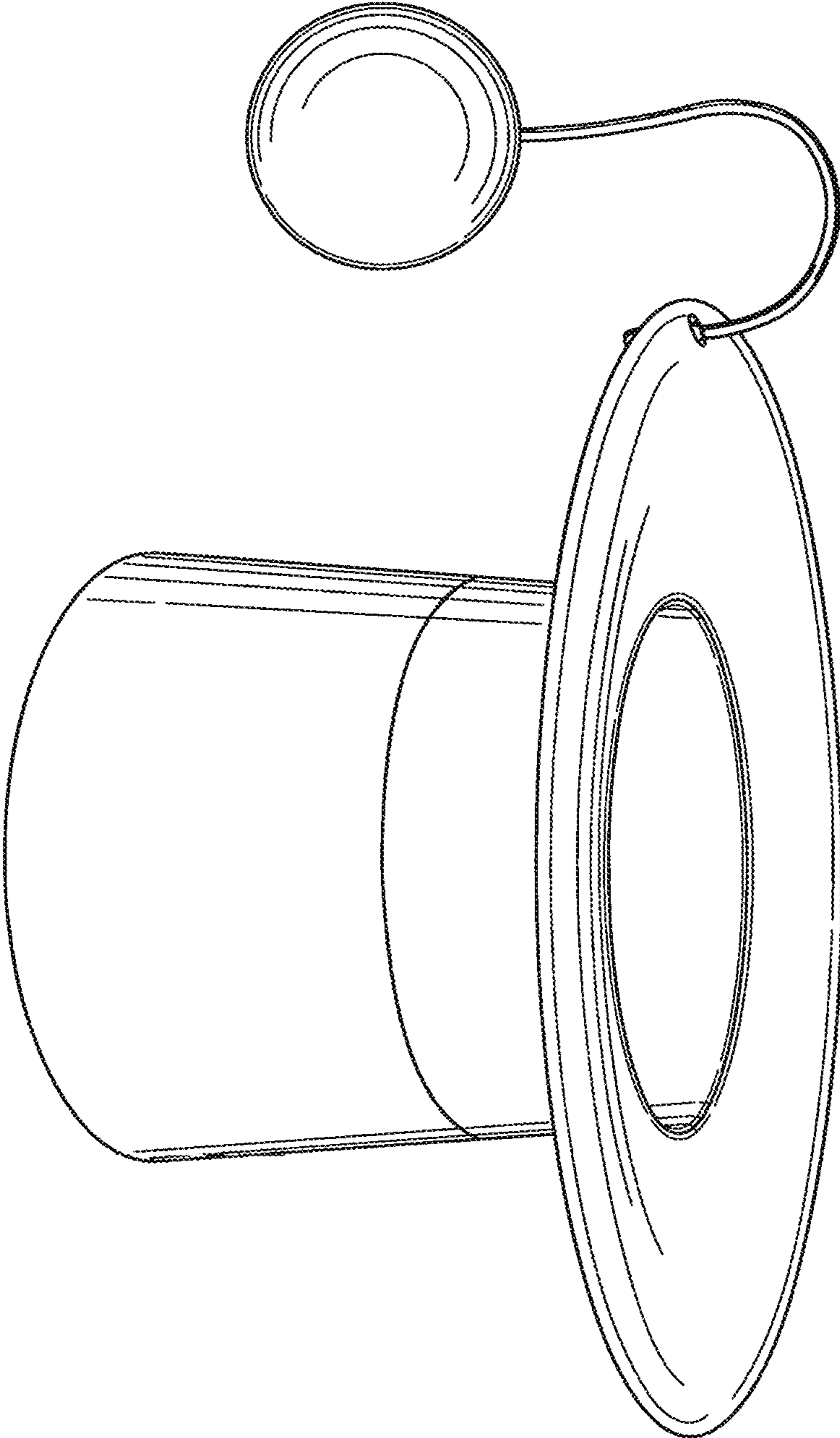


FIG. 3

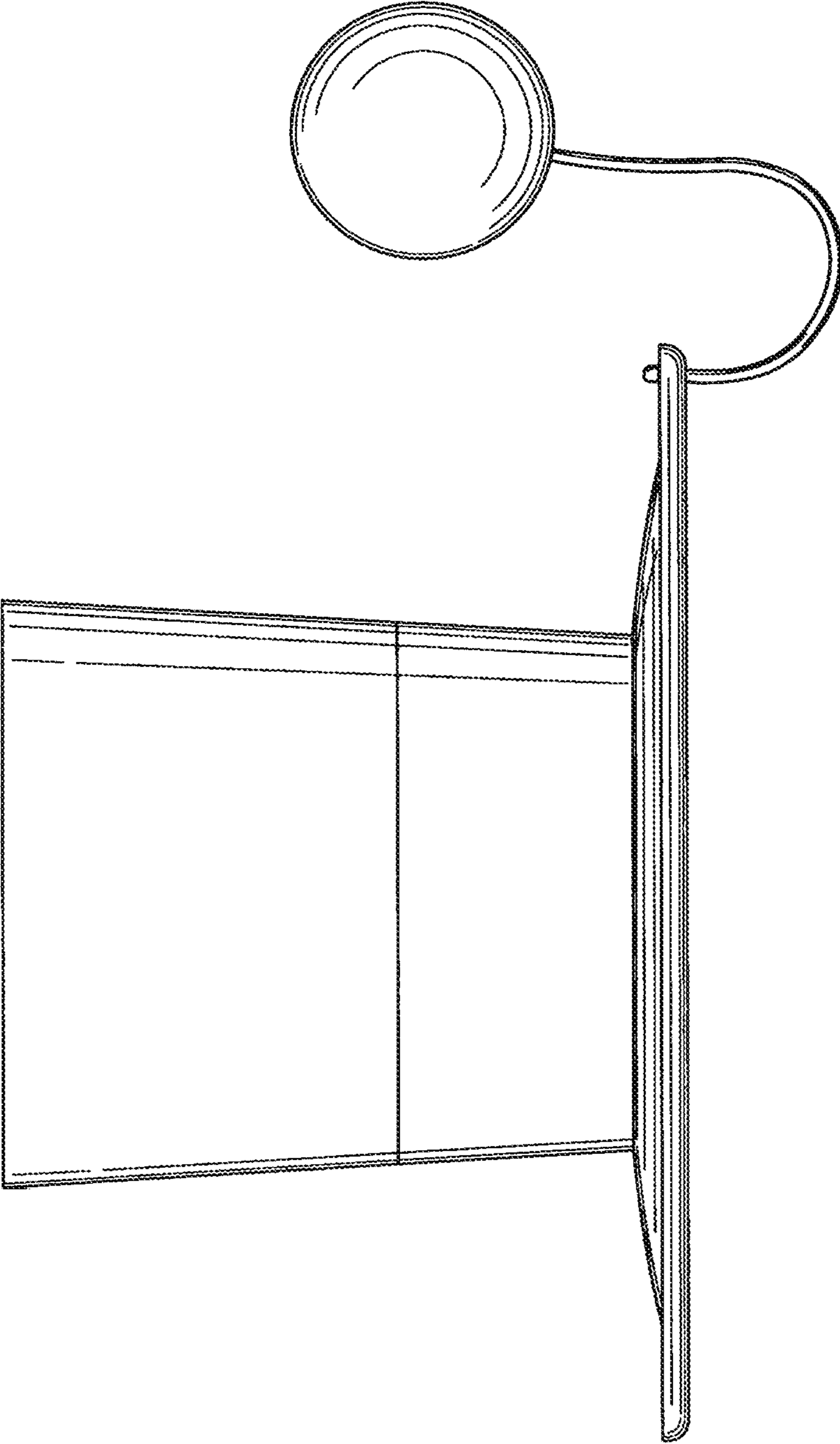


FIG. 4

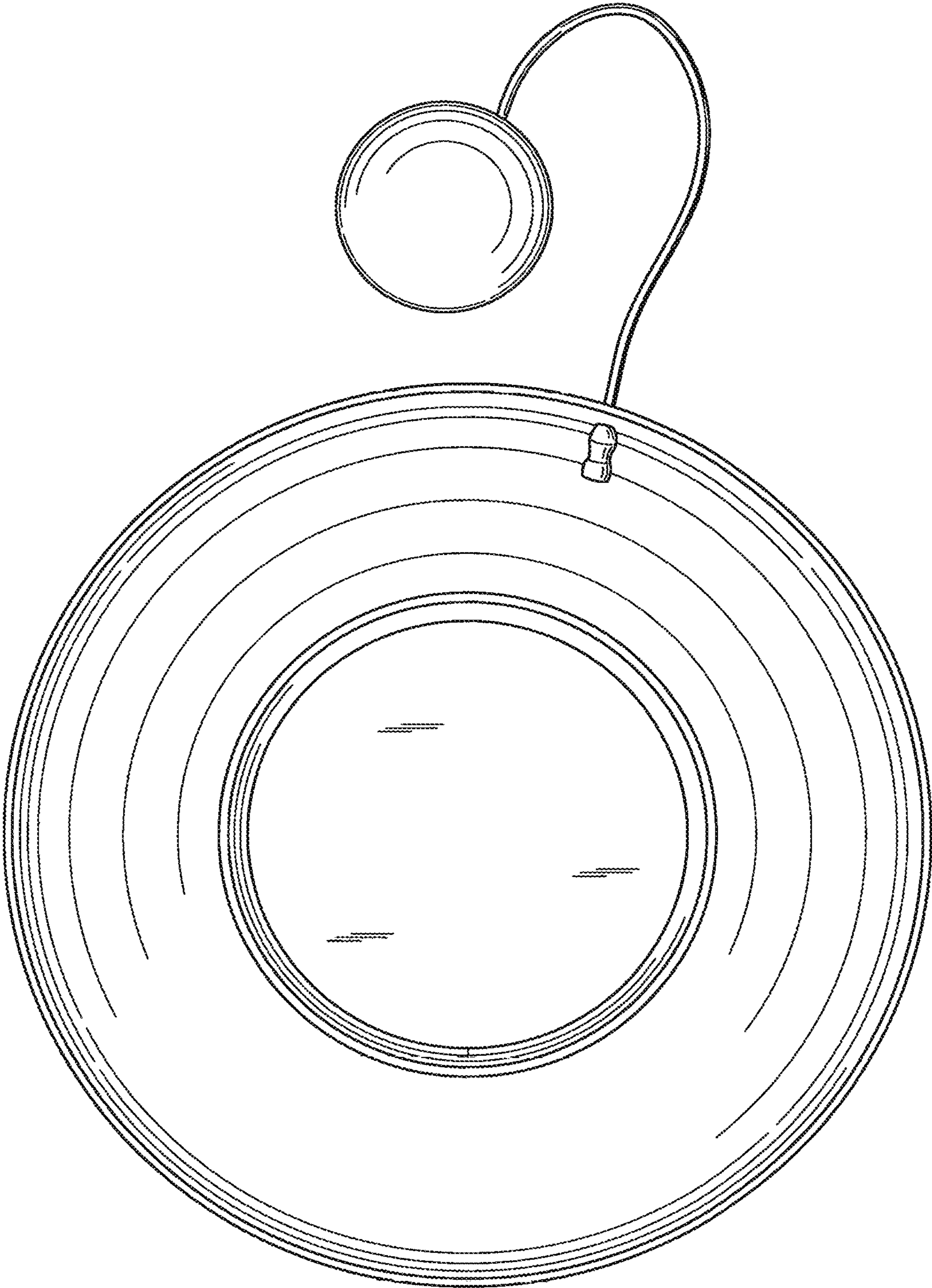


FIG. 5

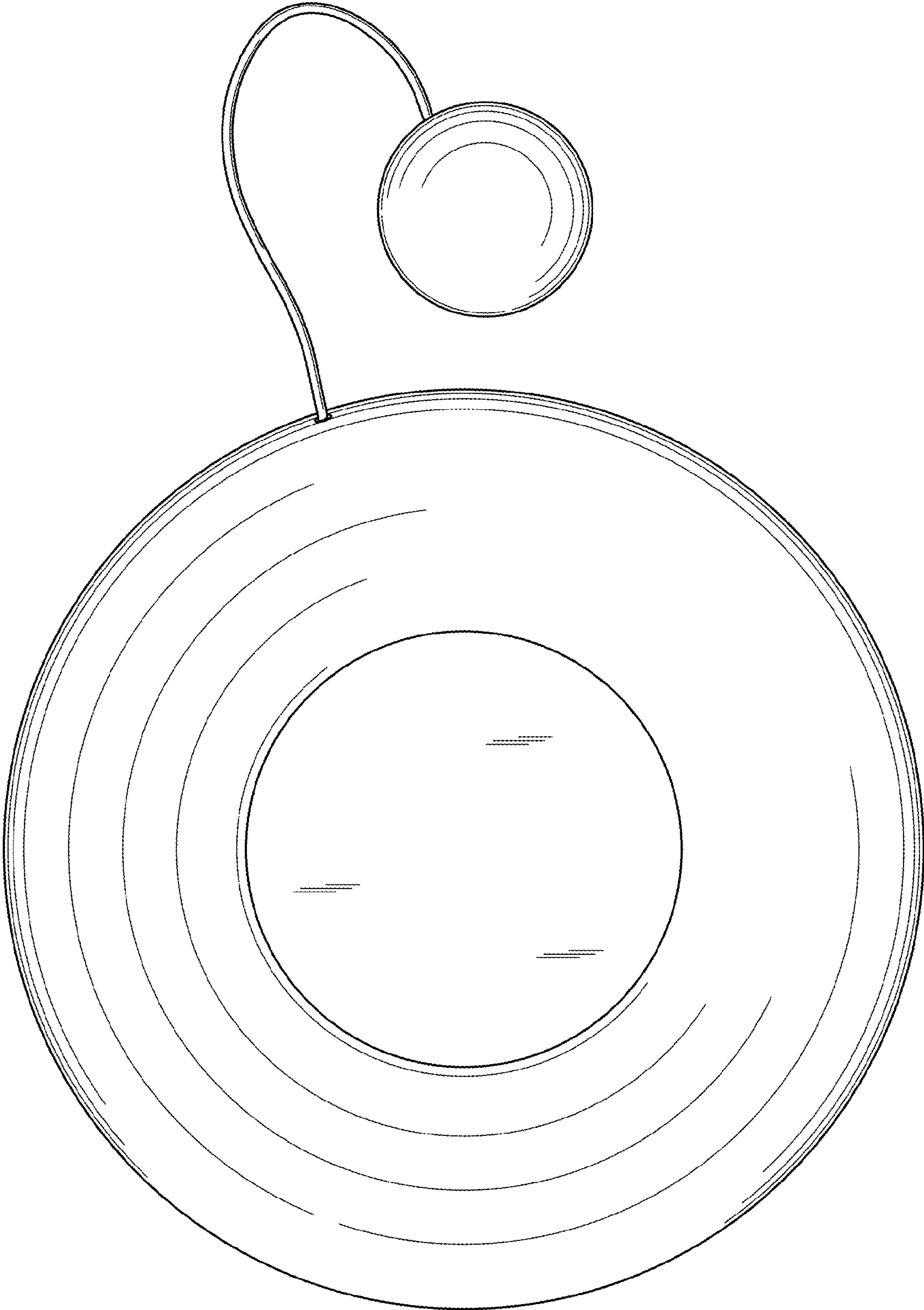


FIG. 6