



US00D892226S

(12) **United States Design Patent**
Hama et al.

(10) **Patent No.:** **US D892,226 S**

(45) **Date of Patent:** **** Aug. 4, 2020**

(54) **SPINNING TOP TOY**

(71) Applicant: **TOMY COMPANY, LTD.**, Tokyo (JP)

(72) Inventors: **Hiroyuki Hama**, Tokyo (JP); **Asami Oba**, Tokyo (JP); **Toshinobu Ishii**, Saitama (JP)

(73) Assignee: **TOMY COMPANY, LTD.**, Tokyo (JP)

(**) Term: **15 Years**

(21) Appl. No.: **29/688,290**

(22) Filed: **Apr. 19, 2019**

(30) **Foreign Application Priority Data**

Oct. 22, 2018 (JP) 2018-023130

(51) **LOC (12) Cl.** **21-01**

(52) **U.S. Cl.**
USPC **D21/460**

(58) **Field of Classification Search**
USPC D21/455-464; 446/236-266
CPC A63H 1/00-32
See application file for complete search history.

(56) **References Cited**

U.S. PATENT DOCUMENTS

D825,670 S *	8/2018	Muraki	D21/460
D834,102 S *	11/2018	Muraki	D21/460
D837,305 S *	1/2019	Shindo	D21/460
D843,489 S *	3/2019	Horikoshi	D21/460
D844,069 S *	3/2019	Horikawa	D21/460
D845,396 S *	4/2019	Horikoshi	D21/460
D846,655 S *	4/2019	Horikawa	D21/460
D849,847 S *	5/2019	Horikoshi	D21/460
D851,178 S *	6/2019	Narita	D21/460
D851,709 S *	6/2019	Muraki	D21/460

D854,095 S *	7/2019	Narita	D21/460
D854,626 S *	7/2019	Horikoshi	D21/460
D857,109 S *	8/2019	Muraki	D21/460
D861,079 S *	9/2019	Matsukawa	D21/460
D862,605 S *	10/2019	Horikoshi	D21/460
D862,606 S *	10/2019	Horikoshi	D21/460
D862,607 S *	10/2019	Horikoshi	D21/460
D866,677 S *	11/2019	Horikoshi	D21/460
D875,841 S *	2/2020	Nakajima	D21/460
D876,554 S *	2/2020	Muraki	D21/460
D880,624 S *	4/2020	Hashiba	D21/460

FOREIGN PATENT DOCUMENTS

JP	6377211 B1 *	8/2018	A63H 1/02
JP	6431629 B1 *	11/2018	A63H 1/04
JP	6593819 B1 *	10/2019	A63H 1/04

* cited by examiner

Primary Examiner — Catherine A Tuttle

(74) *Attorney, Agent, or Firm* — Oliff PLC

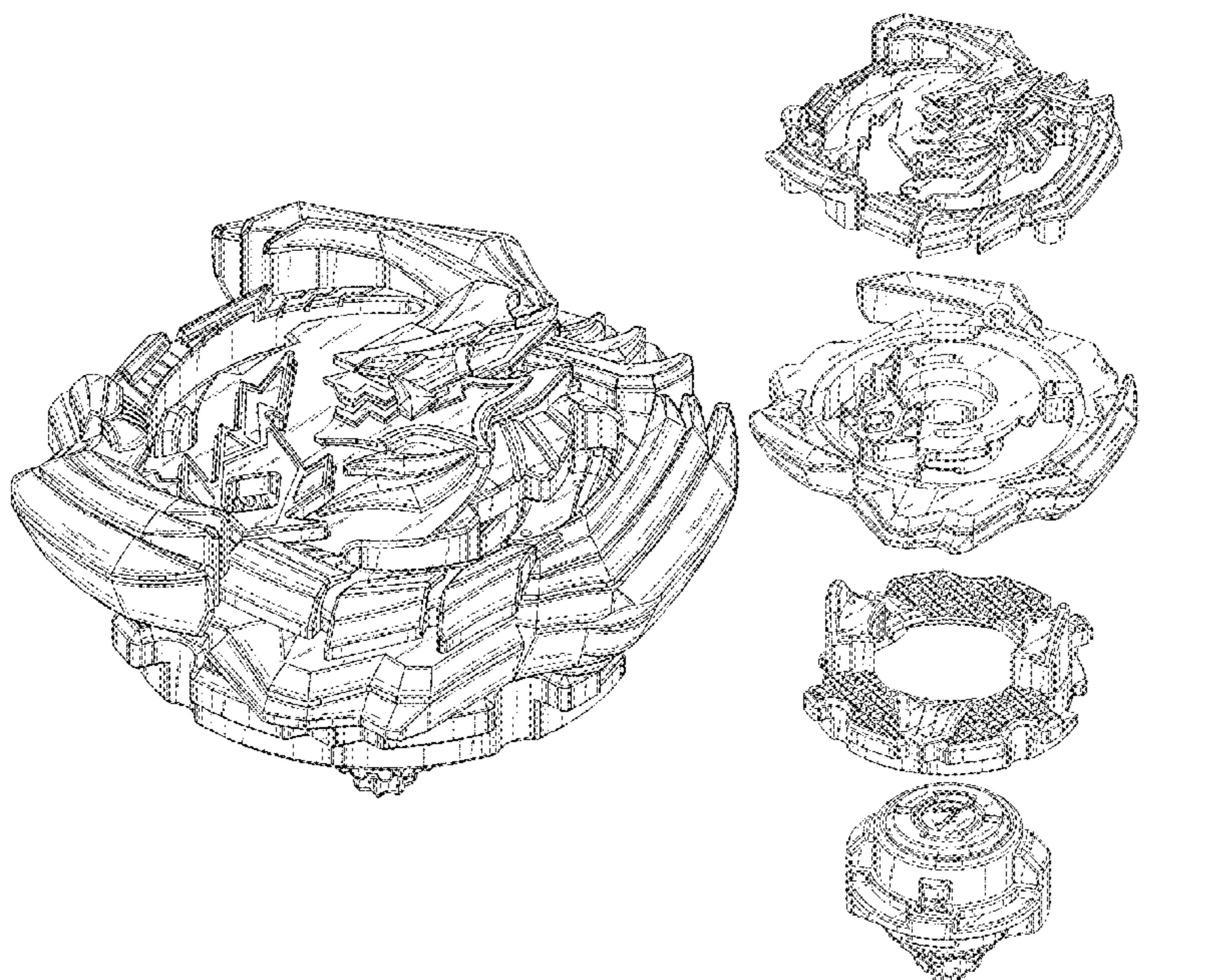
(57) **CLAIM**

The ornamental design for a spinning top toy, as shown and described.

DESCRIPTION

FIG. 1 is a front elevational view of the spinning top toy; FIG. 2 is a rear elevational view thereof; FIG. 3 is a left-side elevational view thereof; FIG. 4 is a right-side elevational view thereof; FIG. 5 is a top plan view thereof; FIG. 6 is a bottom plan view thereof; FIG. 7 is a front, top and right side perspective view thereof; FIG. 8 is a disassembled front, top and right side perspective view thereof; and, FIG. 9 is a disassembled rear, bottom and left side perspective view thereof.

1 Claim, 9 Drawing Sheets



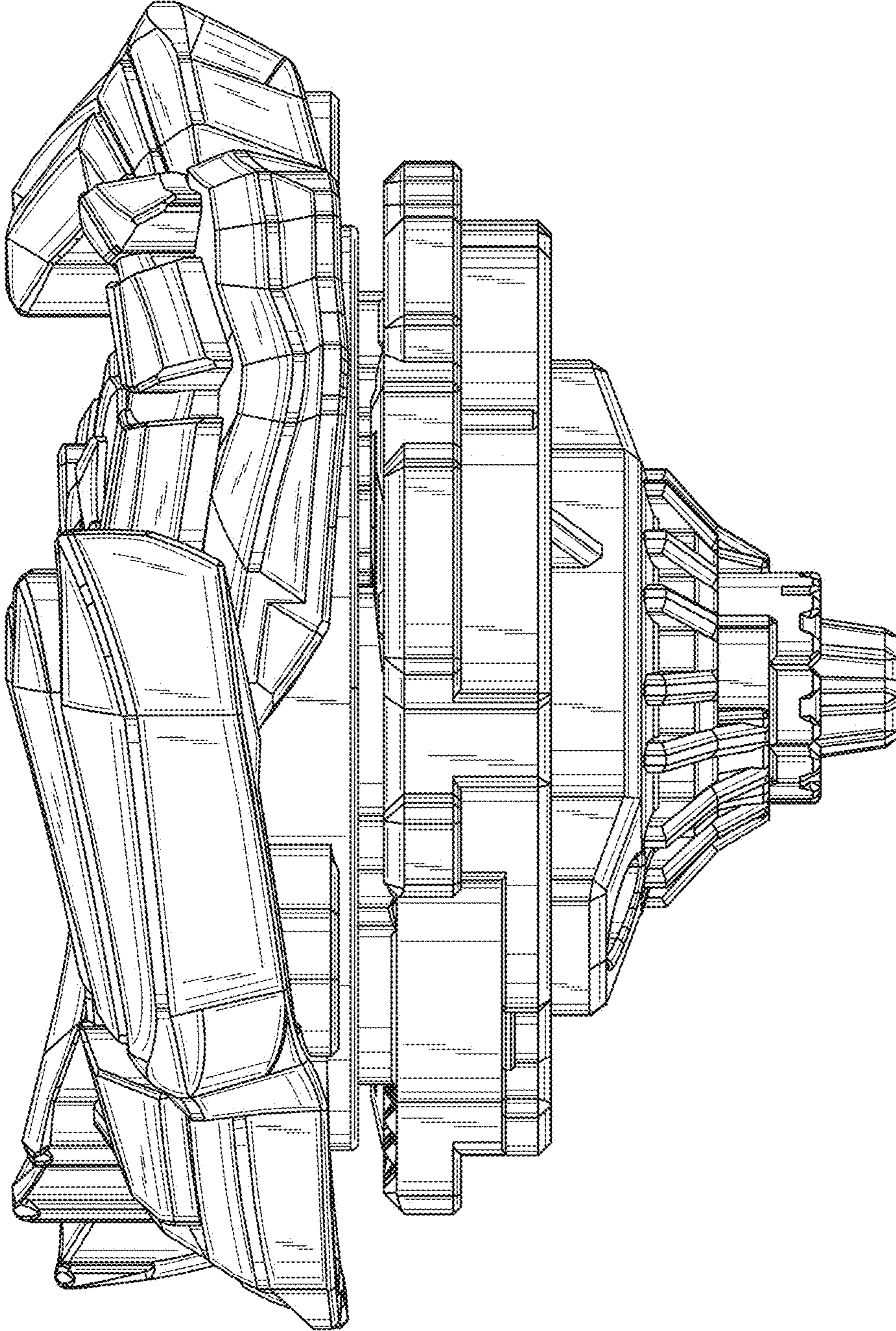


FIG.1

FIG.2

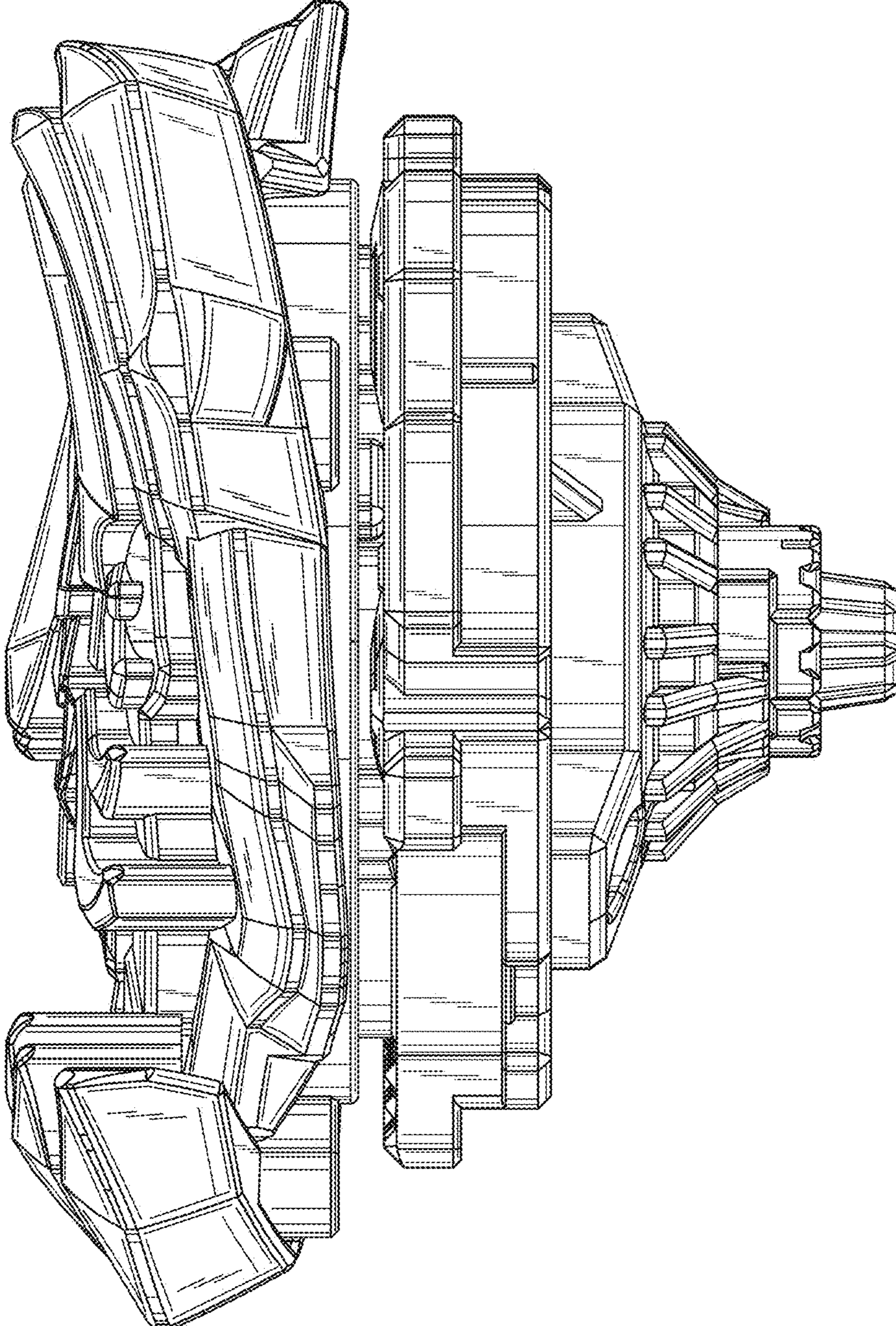


FIG. 3

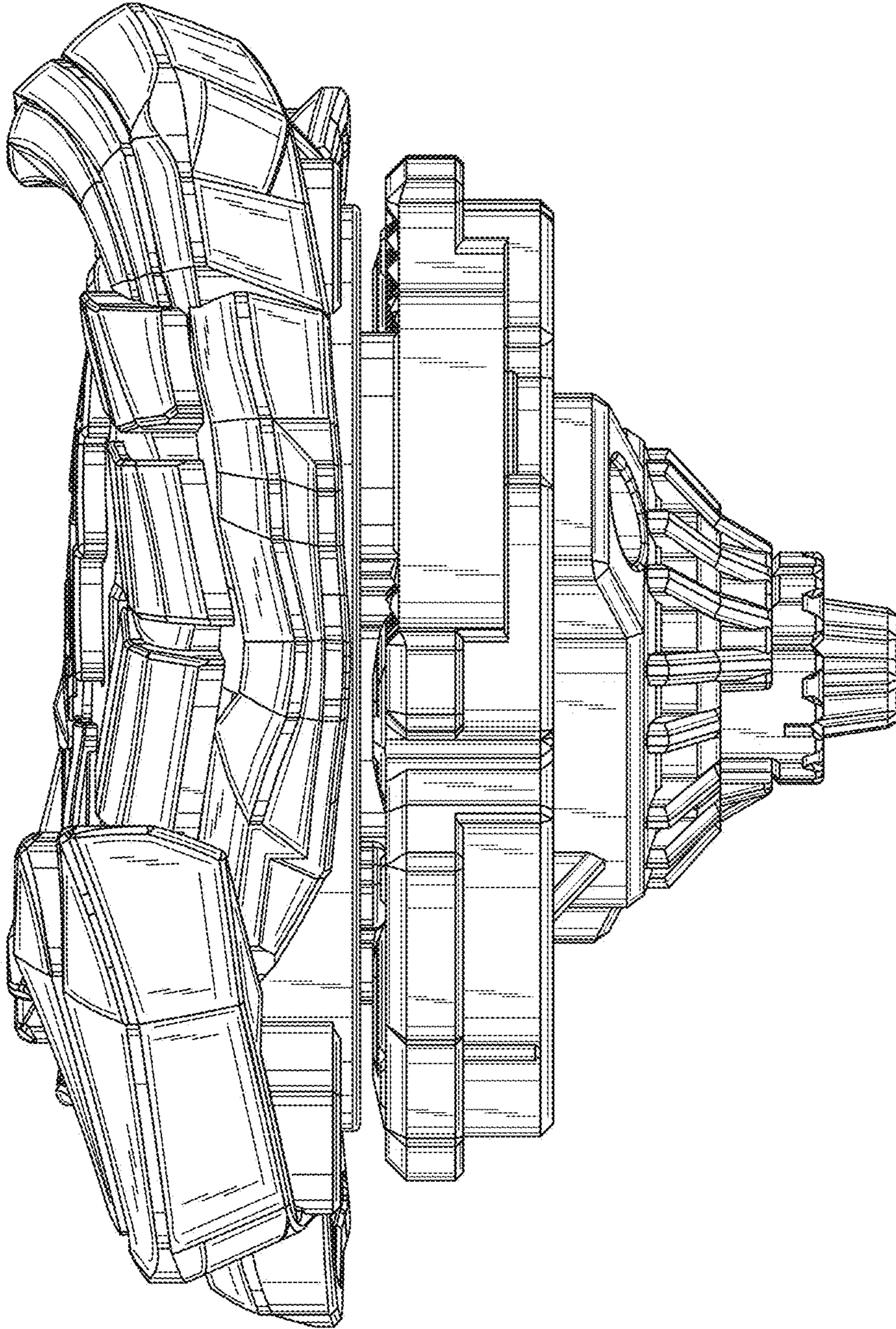


FIG.4

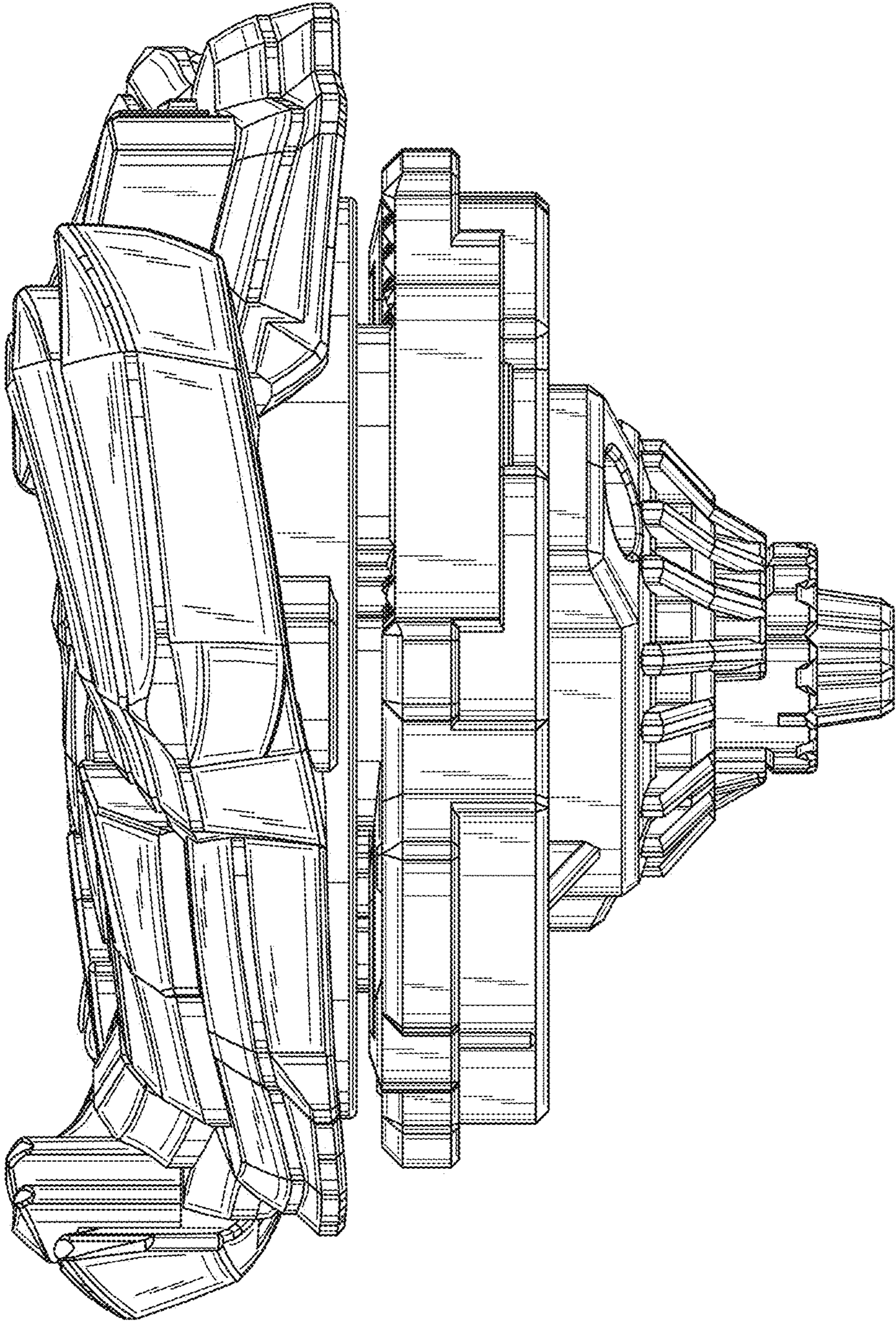
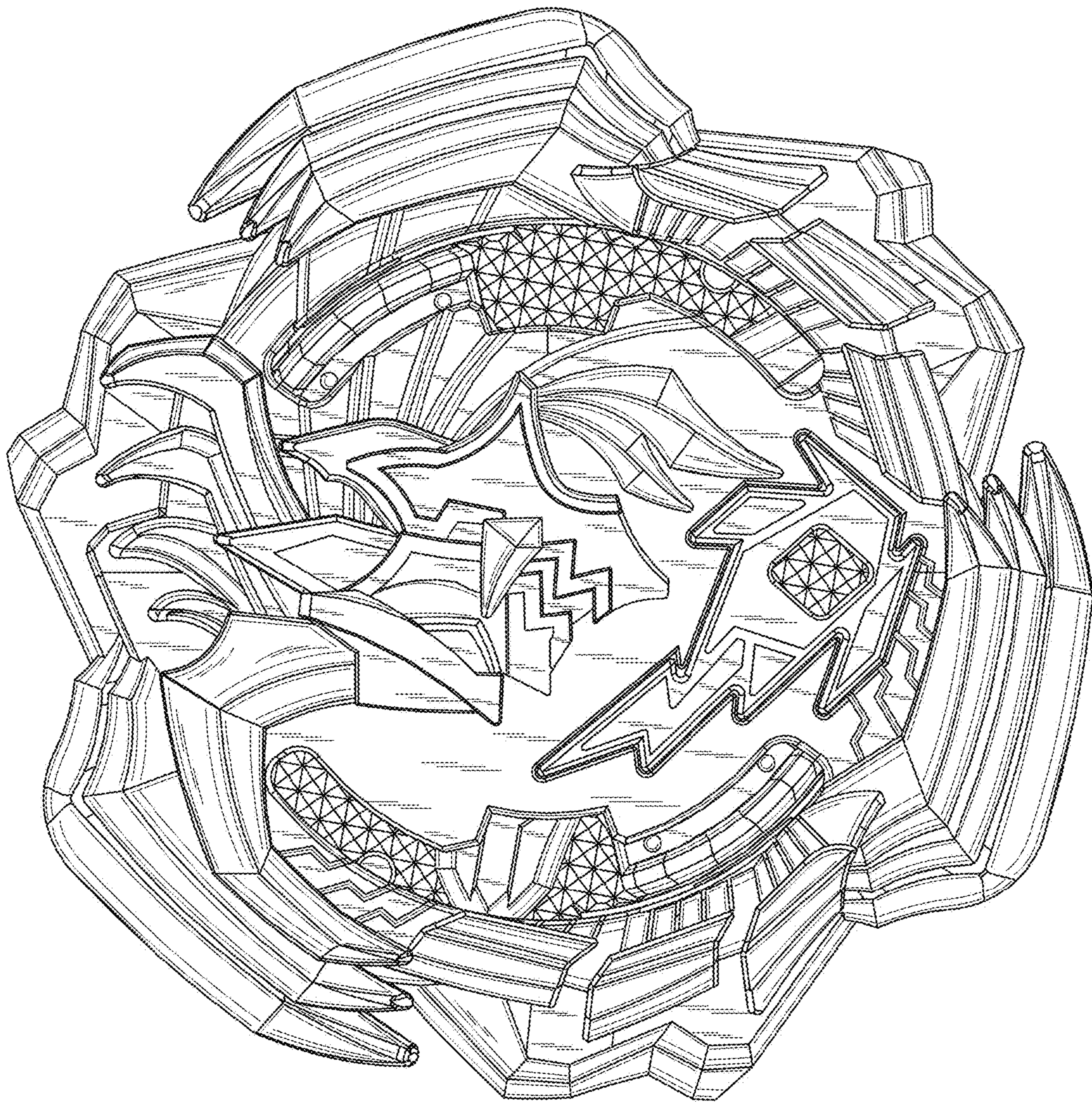


FIG. 5



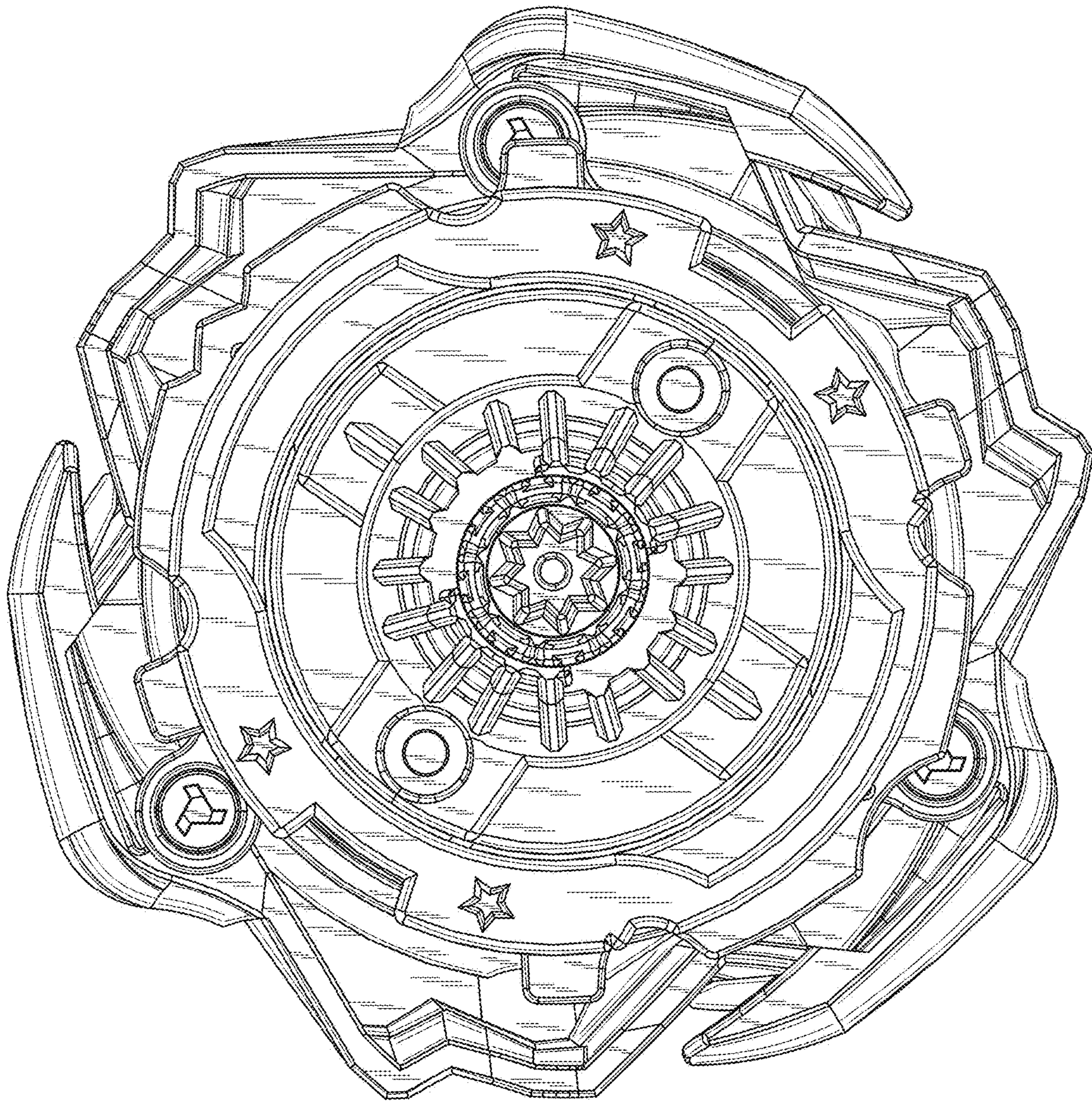
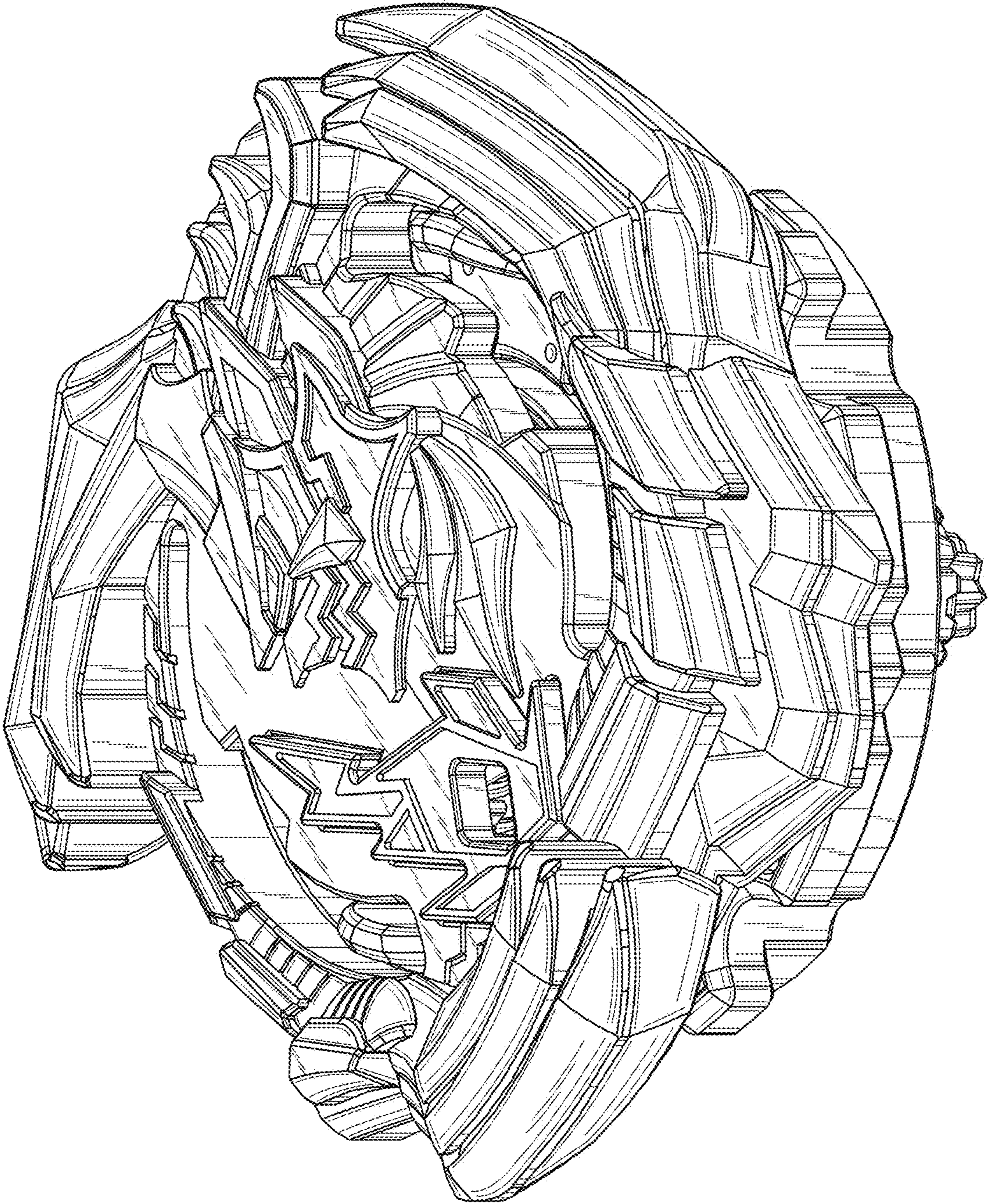


FIG.6

FIG.7



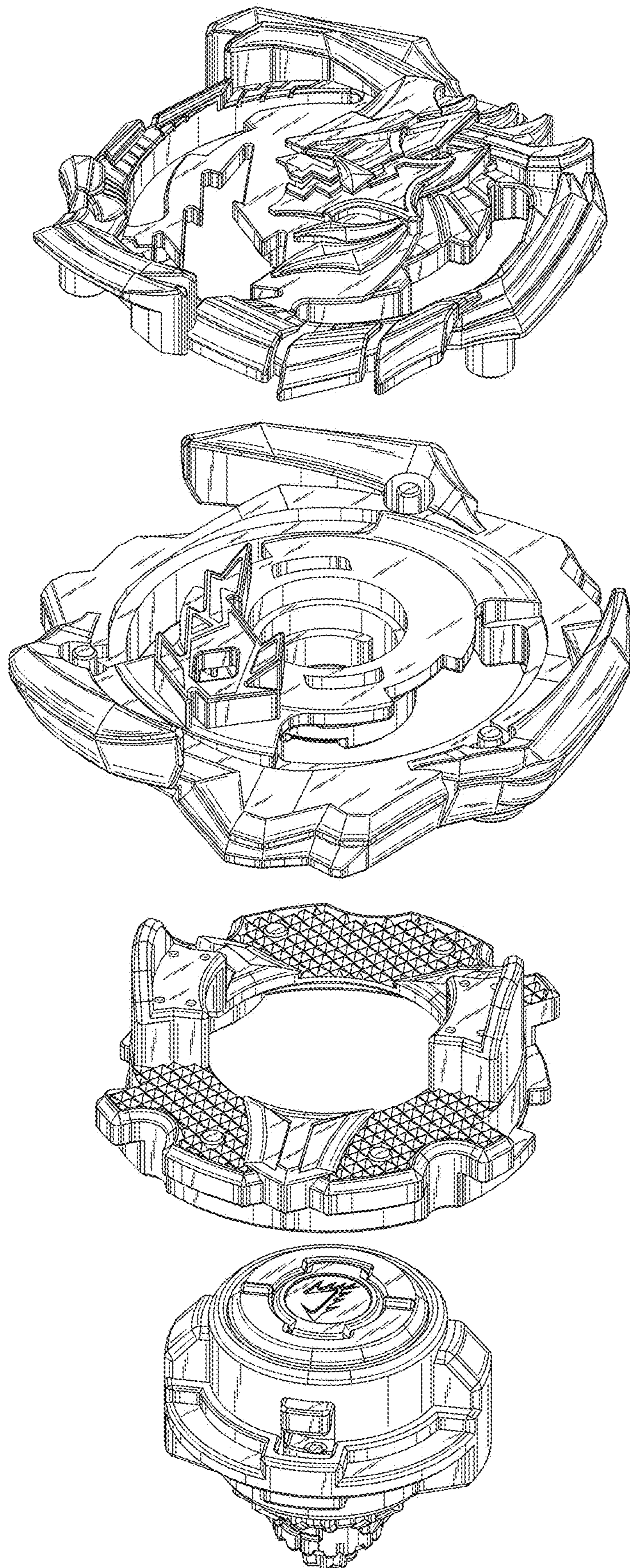


FIG.8

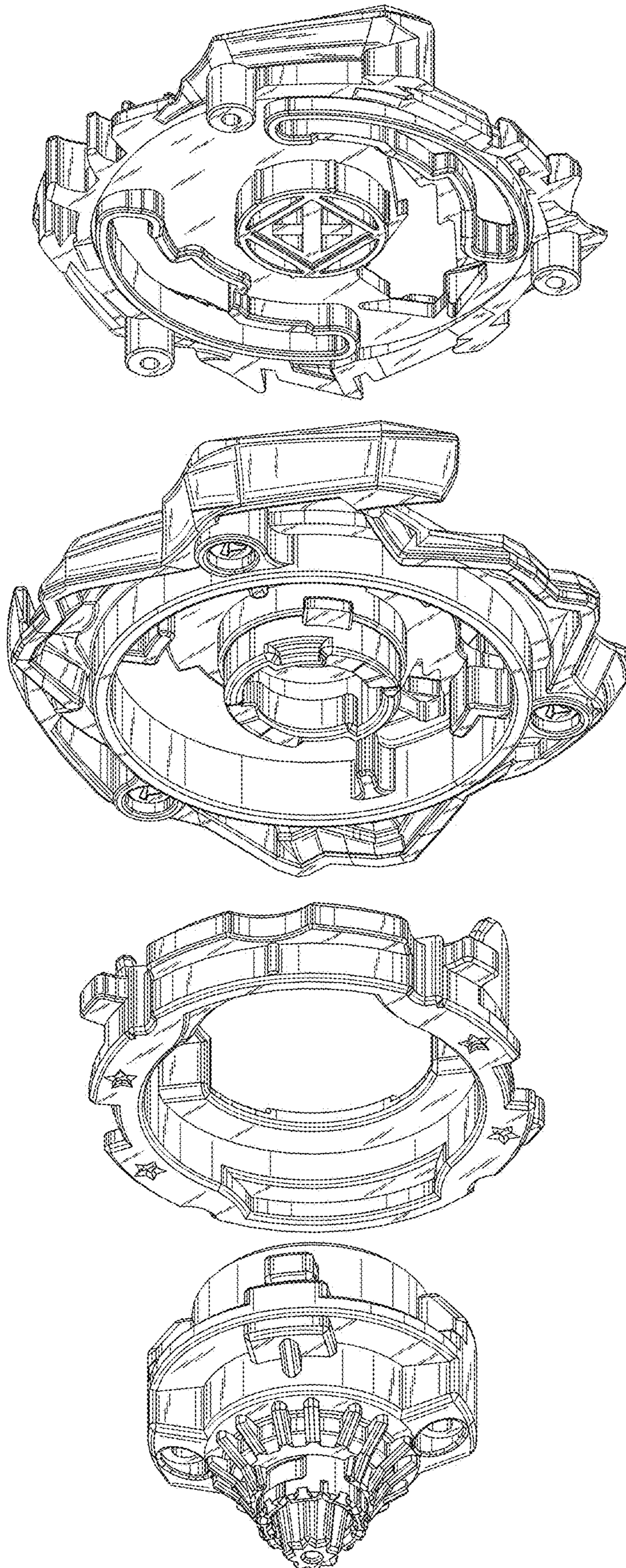


FIG.9