



US00D892221S

(12) **United States Design Patent**
Farley

(10) **Patent No.:** **US D892,221 S**

(45) **Date of Patent:** **** Aug. 4, 2020**

- (54) **COLLAPSIBLE POKER TABLE**
- (71) Applicant: **Indian Industries, Inc.**, Evansville, IN (US)
- (72) Inventor: **Patrick Farley**, Bay Shore, NY (US)
- (73) Assignee: **Indian Industries, Inc.**, Evansville, IN (US)

- 6,916,258 B2 7/2005 Dadbeh
- 6,986,722 B2 1/2006 Dadbeh
- D521,570 S * 5/2006 Tsai D21/369
- D536,394 S * 2/2007 Meoli A47B 3/12
D21/397
- D537,272 S * 2/2007 Zungri D6/406.5
- 7,250,013 B2 7/2007 Hao

(Continued)

(**) Term: **15 Years**

(21) Appl. No.: **29/684,169**

(22) Filed: **Mar. 19, 2019**

(51) **LOC (12) Cl.** **21-01**

(52) **U.S. Cl.**
USPC **D21/397**

(58) **Field of Classification Search**
USPC D21/300, 334-342, 345-349, 362, 363,
D21/365-369, 371, 374, 375, 397
CPC A63F 1/00; A63F 1/005; A63F 1/06; A63F
1/067; A63F 3/00157; A63F 3/00164;
A63F 3/00167; A63F 3/0017; A63F
3/00176; A63F 3/00182; A63F 3/00189;
A63F 3/00208

See application file for complete search history.

(56) **References Cited**

U.S. PATENT DOCUMENTS

- 1,995,543 A 3/1935 Kaser
- 2,057,334 A 10/1936 Hannum
- 3,078,095 A 2/1963 Wolf
- D204,390 S * 4/1966 Bodicky D21/397
- 3,567,222 A 3/1971 Robins
- D237,563 S * 11/1975 Gerber D21/397
- D239,843 S * 5/1976 Freeman D21/397
- D279,801 S * 7/1985 Brockenshire D21/393
- D283,904 S * 5/1986 Blood D21/385
- 5,375,837 A 12/1994 Moreau
- 5,816,957 A 10/1998 Dadbeh
- 6,564,402 B1 5/2003 Lin
- D498,088 S * 11/2004 Tsang D6/691.6

OTHER PUBLICATIONS

Bora Centipede Support System [online]; [retrieved on Jul. 17, 2018]; Retrieved from <http://centipedetool.com>.

Primary Examiner — George D. Kirschbaum

Assistant Examiner — Joseph J Kukella

(74) *Attorney, Agent, or Firm* — Woodard, Emhardt,
Henry, Reeves & Wagner, LLP

(57) **CLAIM**

The ornamental design for a collapsible poker table, as shown and described.

DESCRIPTION

FIG. 1 is a perspective view of the collapsible poker table in an expanded configuration.

FIG. 2 is a perspective view of the collapsible poker table in an alternate configuration.

FIG. 3 is an exploded perspective view of the poker table top, dining insert and legs.

FIG. 4 is a top view of the collapsible poker table.

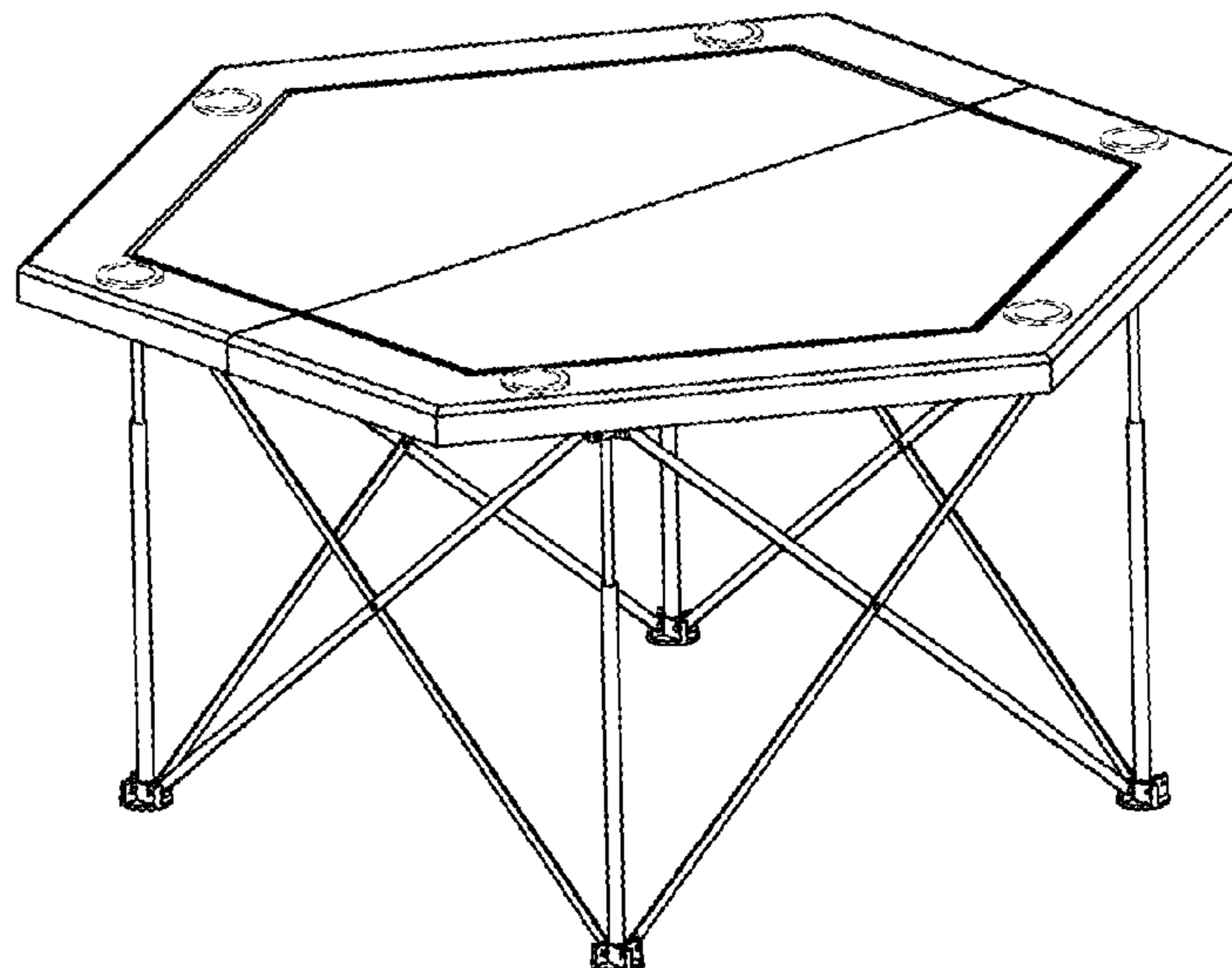
FIG. 5 is a side view of the collapsible poker table with the opposite side view being the same.

FIG. 6 is an end view of the collapsible poker table with the opposite end view being the same; and,

FIG. 7 is a perspective view of the collapsible poker table in a second alternative configuration.

In the drawings, the broken lines depict portions of the collapsible poker table that form no part of the claimed design.

1 Claim, 4 Drawing Sheets



(56)

References Cited

U.S. PATENT DOCUMENTS

7,509,695	B2	3/2009	Zheng	
7,704,170	B2	4/2010	Julian et al.	
7,727,091	B2	6/2010	Allen	
8,074,669	B2	12/2011	Collins et al.	
D725,949	S *	4/2015	Berkowitz D6/692.4
9,021,964	B2	5/2015	Peng	
D747,618	S *	1/2016	Berkowitz D6/707.2
9,357,838	B2 *	6/2016	Berkowitz A47B 3/12
D763,363	S *	8/2016	Rottier D21/397
D784,059	S *	4/2017	Berkowitz D6/692.4
2004/0079261	A1	4/2004	Nally	
2005/0274298	A1	12/2005	Pauliin	
2007/0277709	A1	12/2007	Carter	
2011/0177893	A1	7/2011	Abramson	
2012/0304901	A1	12/2012	Volin	

* cited by examiner

Fig. 1

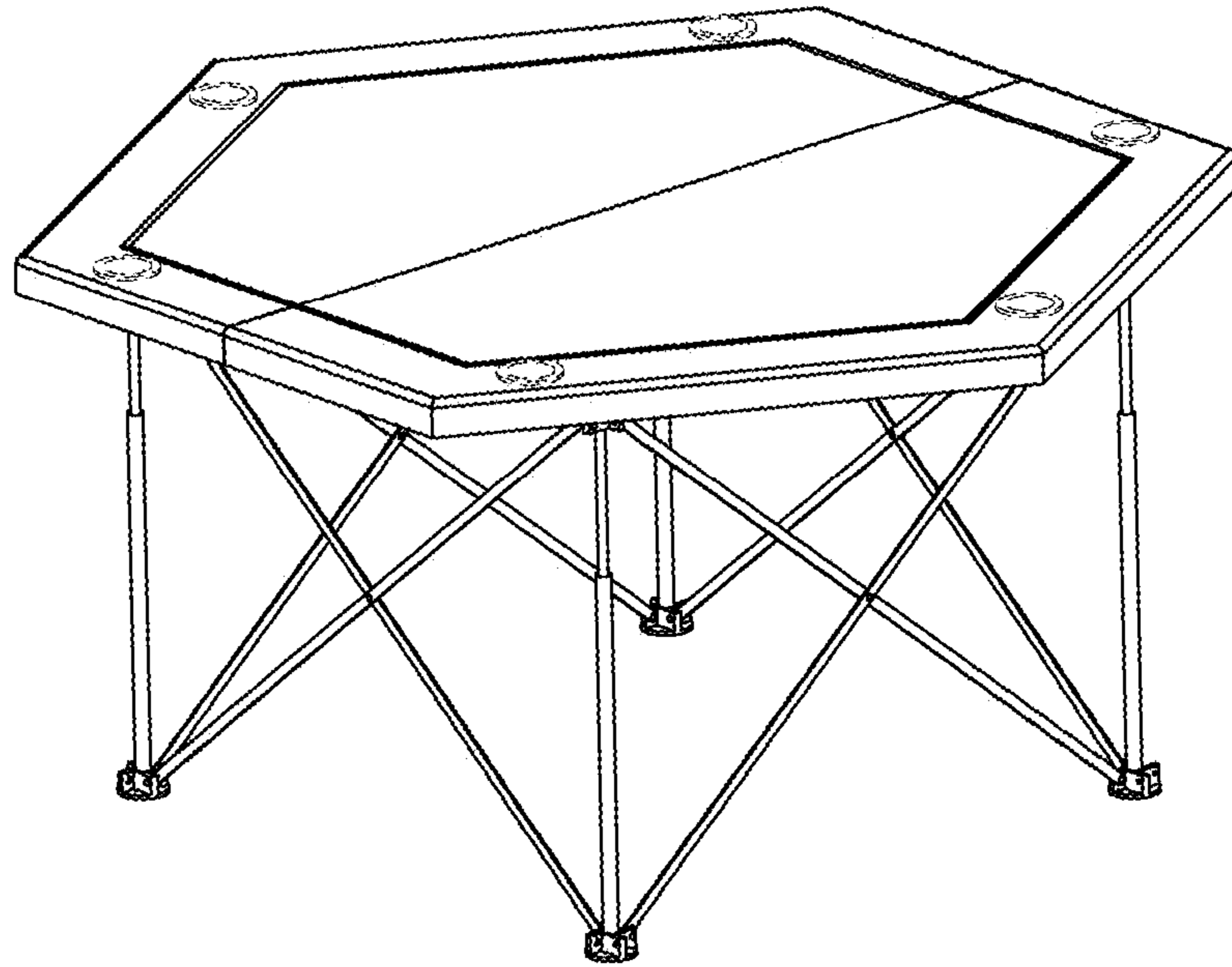
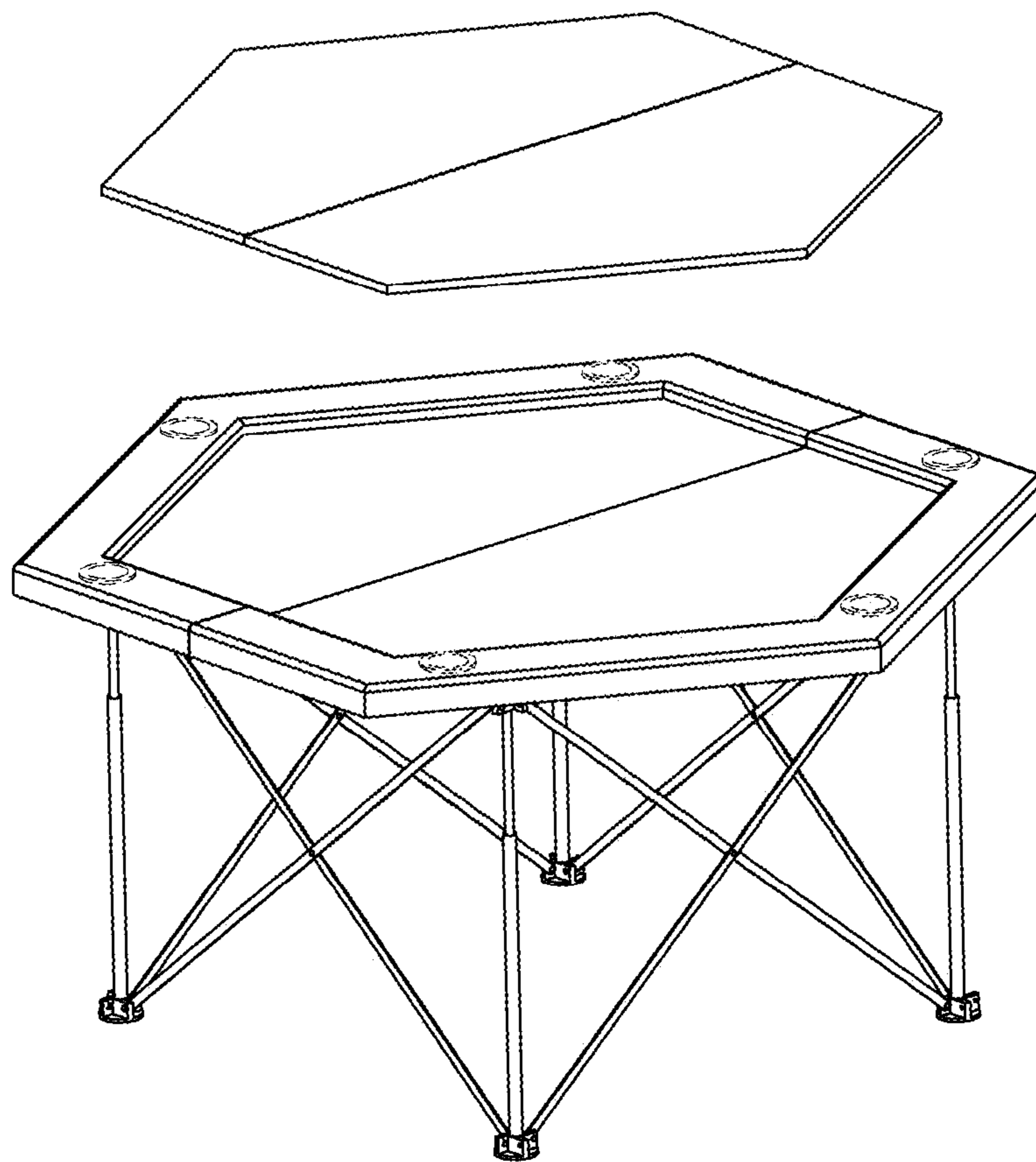


Fig. 2



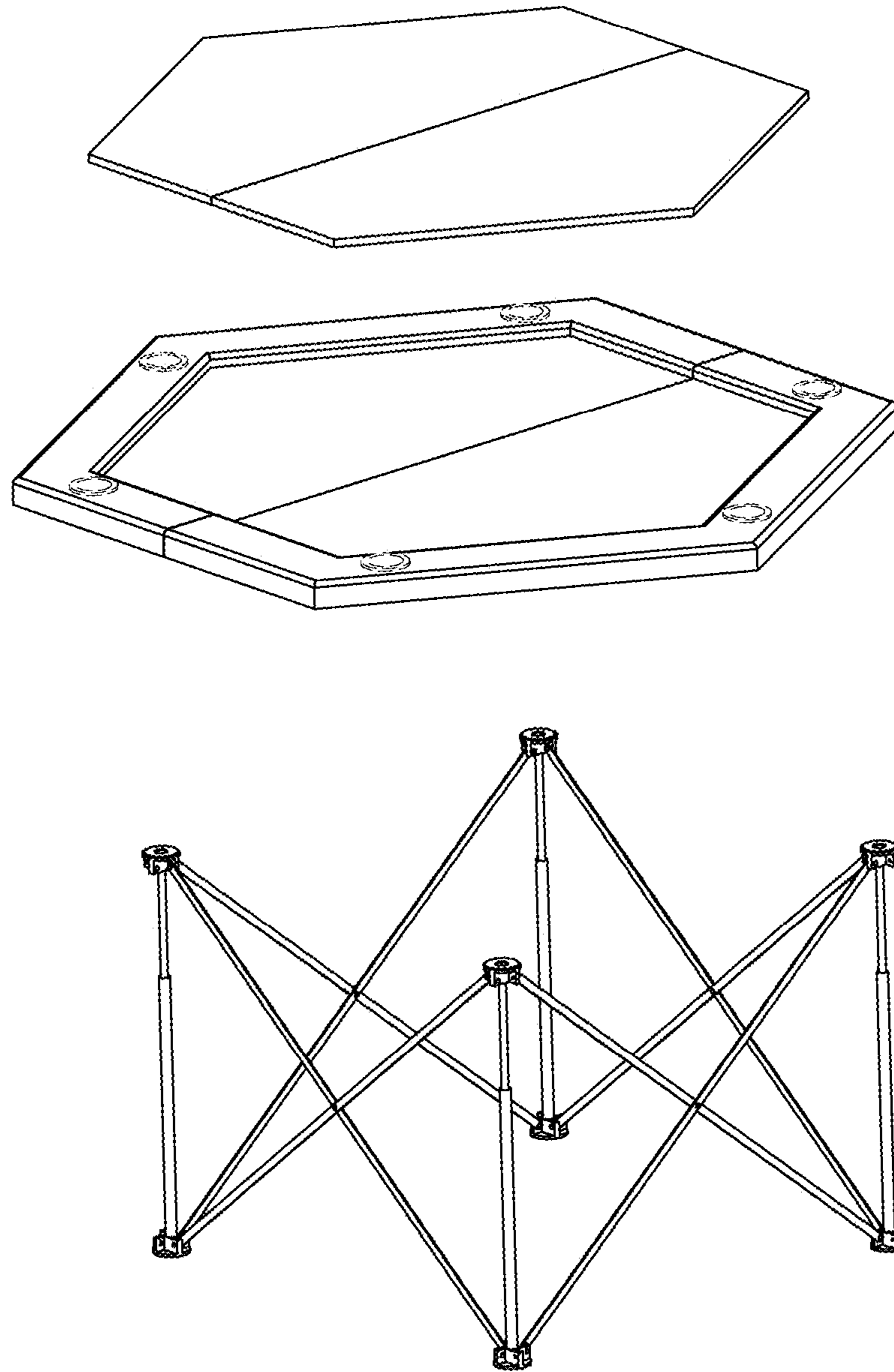


Fig. 3

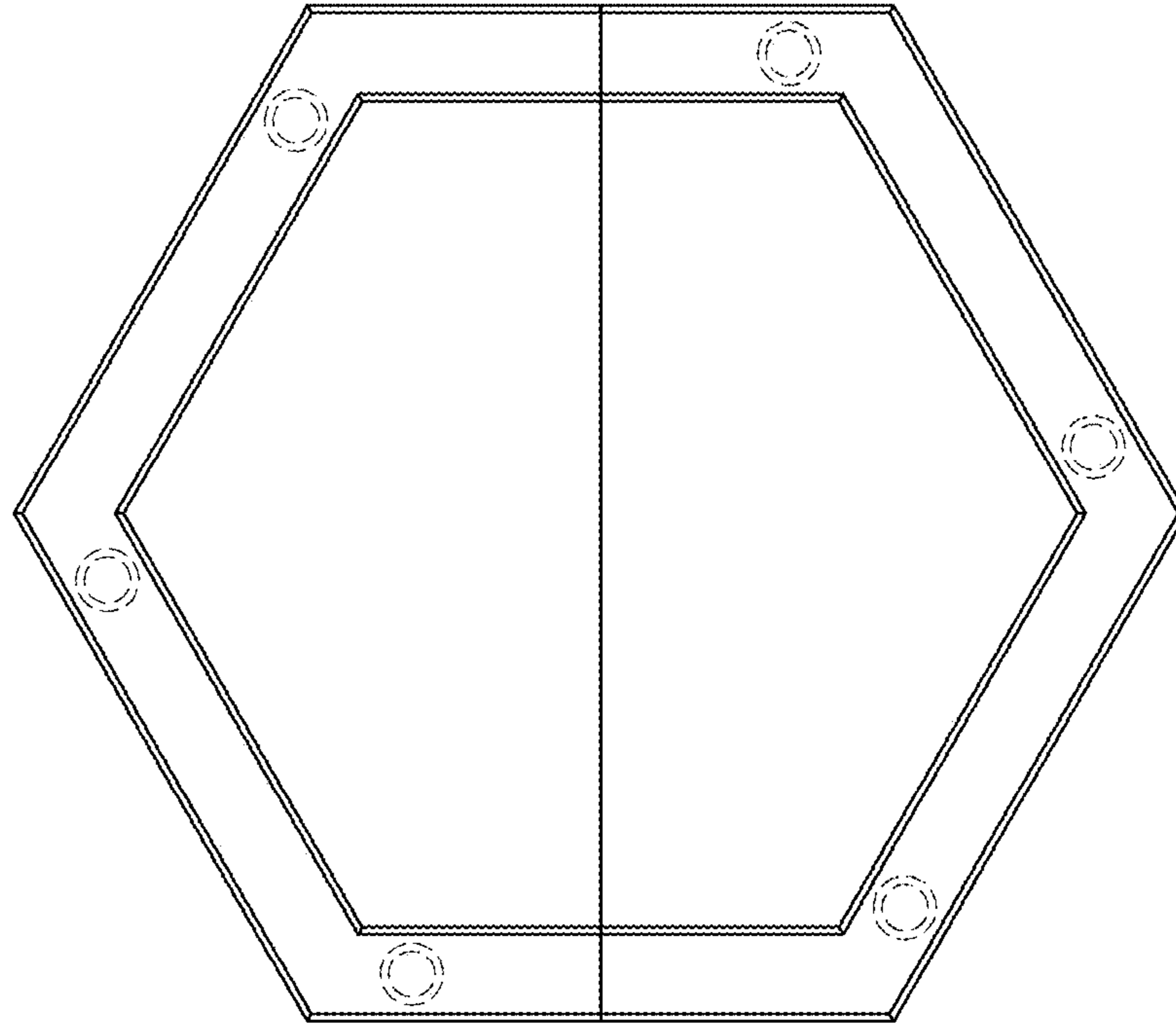


Fig. 4

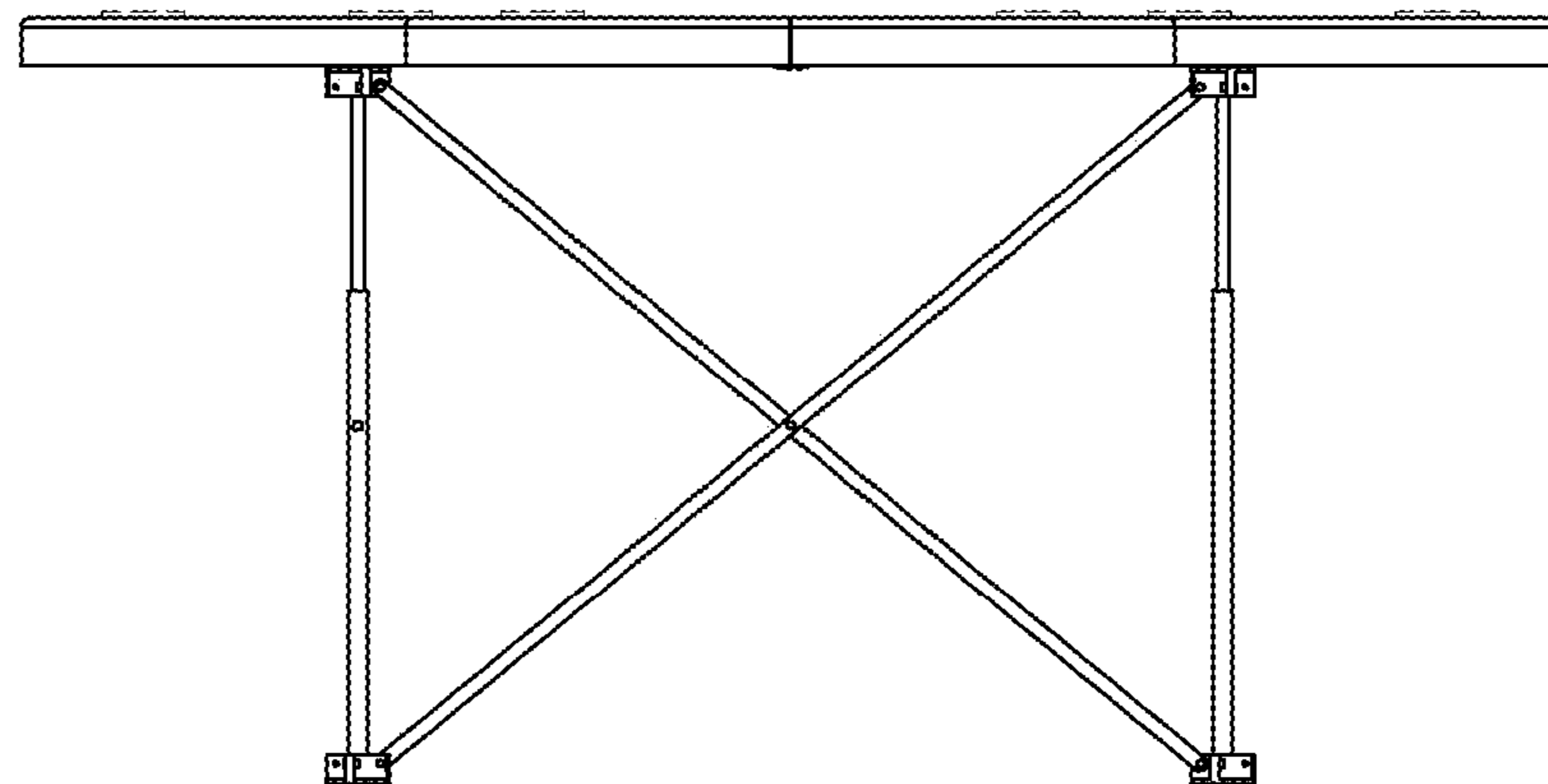


Fig. 5

Fig. 6

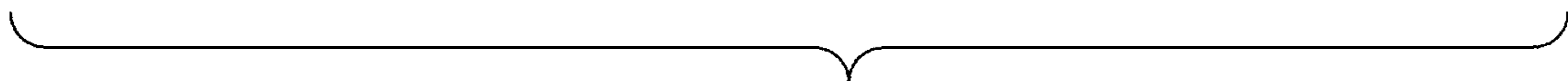
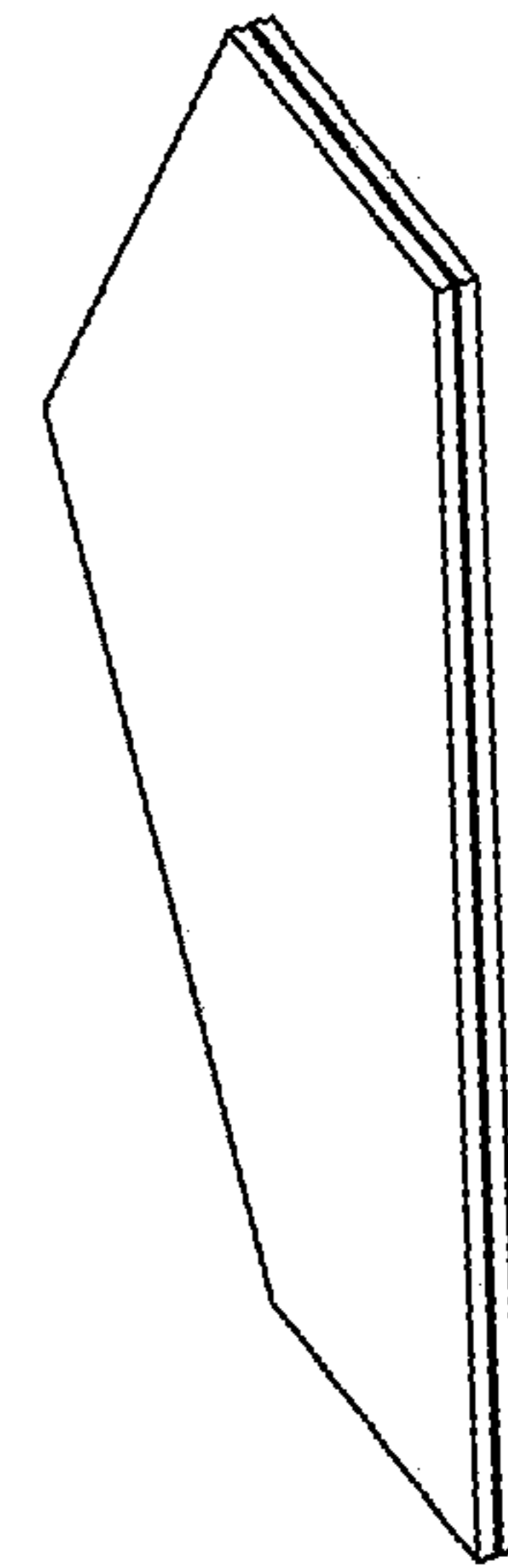
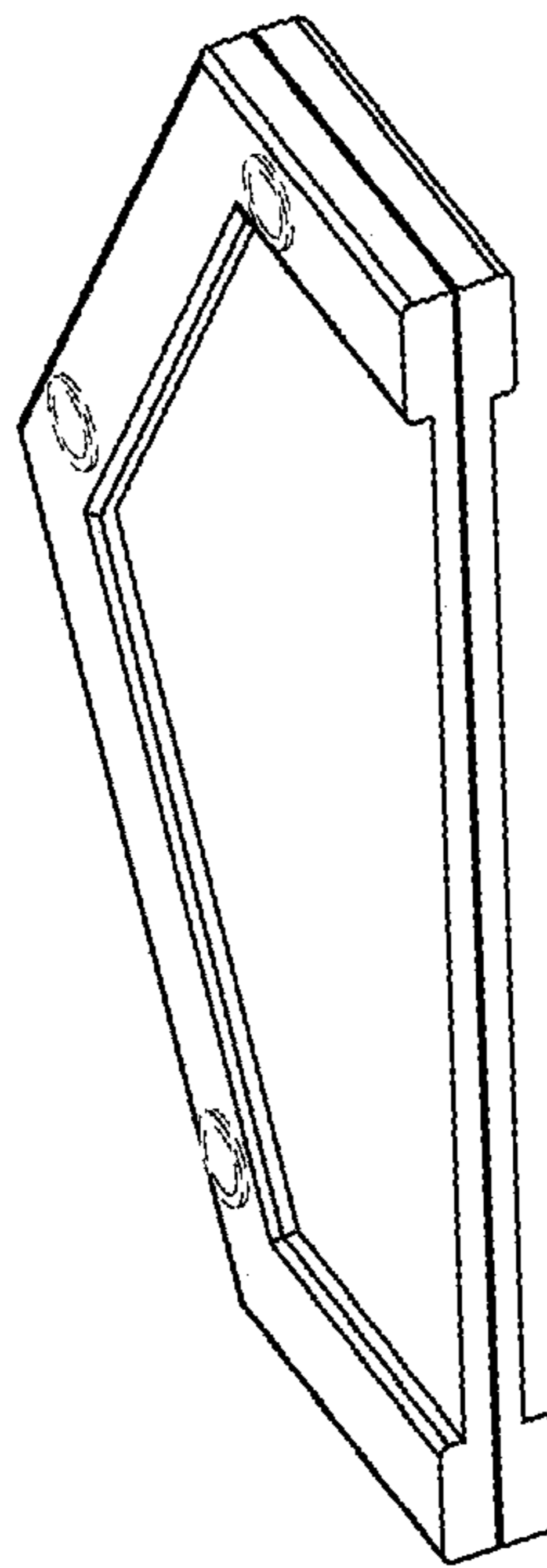
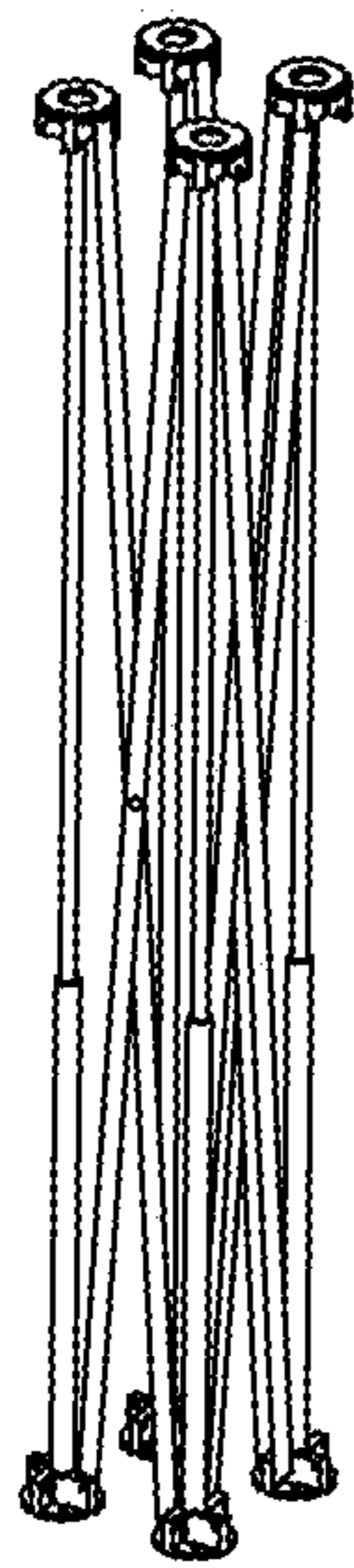
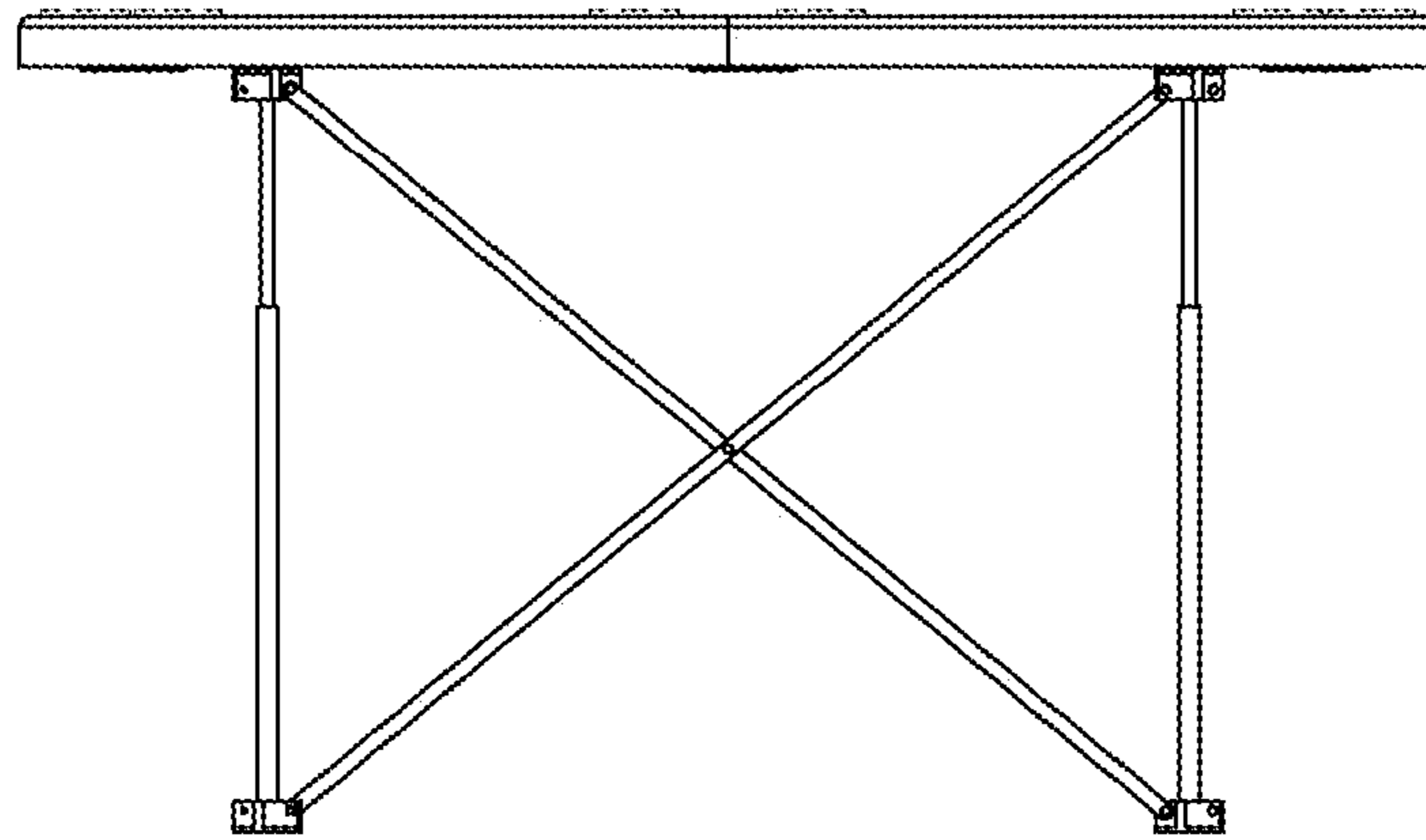


Fig. 7