



US00D892219S

(12) **United States Design Patent** (10) **Patent No.:** **US D892,219 S**
Rynda (45) **Date of Patent:** **** Aug. 4, 2020**

(54) **AUTOMATIC CARD COLLATOR WITH DISPENSER**

(71) Applicant: **AGS LLC**

(72) Inventor: **Robert John Rynda**, Las Vegas, NV (US)

(73) Assignee: **AGS LLC**, Las Vegas, NV (US)

(**) Term: **15 Years**

(21) Appl. No.: **29/640,425**

(22) Filed: **Mar. 14, 2018**

(51) **LOC (12) Cl.** **21-01**

(52) **U.S. Cl.**
USPC **D21/300**

(58) **Field of Classification Search**
USPC D20/9, 76; D99/99; 273/149 R;
D21/300, 396
CPC A63F 1/14; A63F 1/12; A63F 1/08; A63F
1/067; G10L 19/07
See application file for complete search history.

(56) **References Cited**

U.S. PATENT DOCUMENTS

D224,658 S 8/1972 Cole et al.
D273,962 S * 5/1984 Fromm D19/91
D414,527 S 9/1999 Tedham
D432,588 S 10/2000 Tedham
D432,589 S * 10/2000 Hill D21/396

(Continued)

OTHER PUBLICATIONS

“Automatic Card Shuffler” posted Sep. 23, 2013[online], [retrieved Dec. 26, 2019] from internet: <https://www.youtube.com/watch?v=y6Xy6wd5cno>.*

Primary Examiner — Sandra S Snapp

Assistant Examiner — Mehri F Bajoul

(74) *Attorney, Agent, or Firm* — Brinks Gilson & Lione

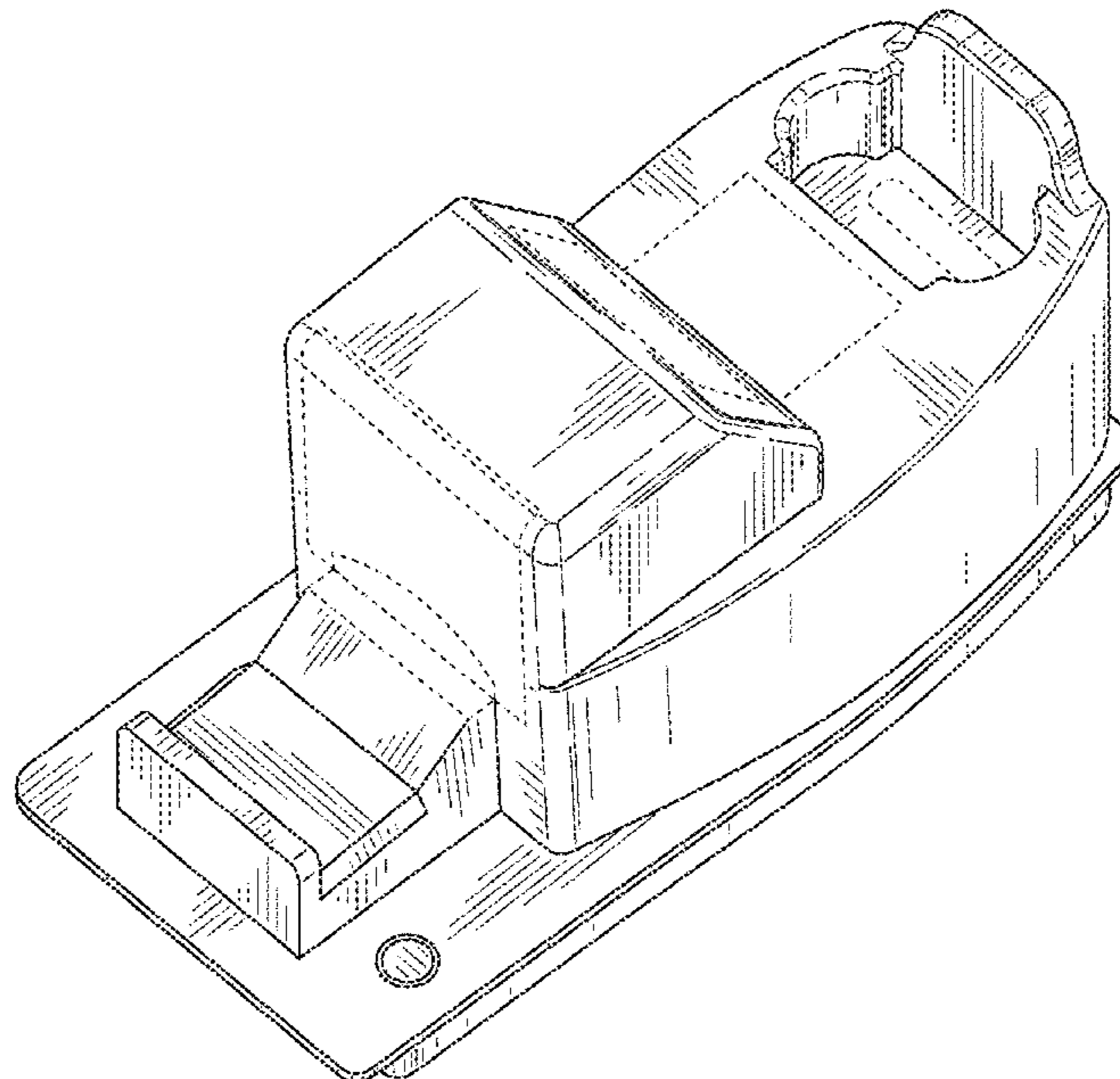
(57) **CLAIM**

The ornamental design for an automatic card collator with dispenser, as shown and described.

DESCRIPTION

FIG. 1 is a front left perspective view of an automatic card collator with dispenser showing my new design; FIG. 2 is a front elevational view of the automatic card collator with dispenser shown in FIG. 1; FIG. 3 is a rear elevational view of the automatic card collator with dispenser shown in FIG. 1; FIG. 4 is a left right side elevational view of the automatic card collator with dispenser shown in FIG. 1; FIG. 5 is a left right side elevational view of the automatic card collator with dispenser shown in FIG. 1; FIG. 6 is a top plan view of the automatic card collator with dispenser shown in FIG. 1; FIG. 7 is a bottom plan view of the automatic card collator with dispenser shown in FIG. 1; FIG. 8 is a front left perspective view of the automatic card collator with dispenser shown in the environment of use, inserted into an aperture in an edge of a table top edge, where the table top is shown in dash-dot broken line; and, FIG. 9 is a rear left perspective view of the automatic card collator with dispenser shown in FIG. 1. The evenly dashed broken lines depict portions for the automatic card collator with dispenser that form no part of the claimed design; and the dash-dot broken lines in FIG. 8 depict environmental structure that forms no part of the claimed design.

1 Claim, 6 Drawing Sheets



(56)

References Cited

U.S. PATENT DOCUMENTS

6,588,751	B1	7/2003	Grauzer et al.	9,504,905	B2	11/2016	Kelly et al.
6,651,981	B2	11/2003	Grauzer et al.	9,539,494	B2	1/2017	Sines et al.
6,651,983	B1	11/2003	Chobanian	9,566,501	B2	2/2017	Stasson et al.
6,655,684	B2	12/2003	Grauzer et al.	9,731,190	B2	8/2017	Sampson et al.
D488,193	S	4/2004	Girard	D798,958	S *	10/2017	Tseng D21/396
D490,481	S	5/2004	Hessing	2002/0163125	A1	11/2002	Grauzer et al.
7,036,818	B2	5/2006	Grauzer et al.	2003/0090059	A1	5/2003	Grauzer et al.
7,234,698	B2	6/2007	Grauzer et al.	2004/0245720	A1	12/2004	Grauzer et al.
7,478,813	B1 *	1/2009	Hofferber A63F 1/10 273/148 A	2005/0051956	A1	3/2005	Grauzer et al.
7,677,565	B2	3/2010	Grauzer et al.	2007/0138743	A1 *	6/2007	Fleckenstein A63F 1/14 273/149 R
D615,600	S	5/2010	Scheper et al.	2008/0006997	A1 *	1/2008	Scheper A63F 1/12 273/149 R
D646,338	S	10/2011	Scheper et al.	2008/0093800	A1 *	4/2008	Mailing A63F 1/14 273/149 R
8,070,574	B2	12/2011	Grauzer et al.	2013/0087972	A1 *	4/2013	Snow A63F 1/12 273/149 R
D663,785	S	7/2012	Walsh et al.	2015/0014925	A1 *	1/2015	Miller A63F 1/14 273/148 R
8,342,525	B2	1/2013	Scheper et al.	2015/0290528	A1 *	10/2015	Sampson A63F 1/14 273/149 R
8,353,513	B2	1/2013	Swanson	2016/0082344	A1	3/2016	Kelly et al.
8,480,088	B2 *	7/2013	Toyama A63F 1/12 273/149 R	2017/0173447	A1 *	6/2017	Martino A63F 1/10
8,490,793	B2	7/2013	Yoseloff et al.	2017/0326439	A1 *	11/2017	Shigeta A63F 1/14
8,511,684	B2	8/2013	Grauzer et al.	2018/0085658	A1 *	3/2018	Helsen A63F 1/14
8,579,289	B2	11/2013	Rynda et al.	2019/0105554	A1 *	4/2019	Rouillard A63F 1/18
D695,357	S *	12/2013	Shigeta D21/396	2019/0262694	A1 *	8/2019	Shigeta A63F 1/12
8,960,674	B2	2/2015	Stasson et al.				
8,986,091	B2	3/2015	Grauzer et al.				
D764,599	S	8/2016	Tedham				

* cited by examiner

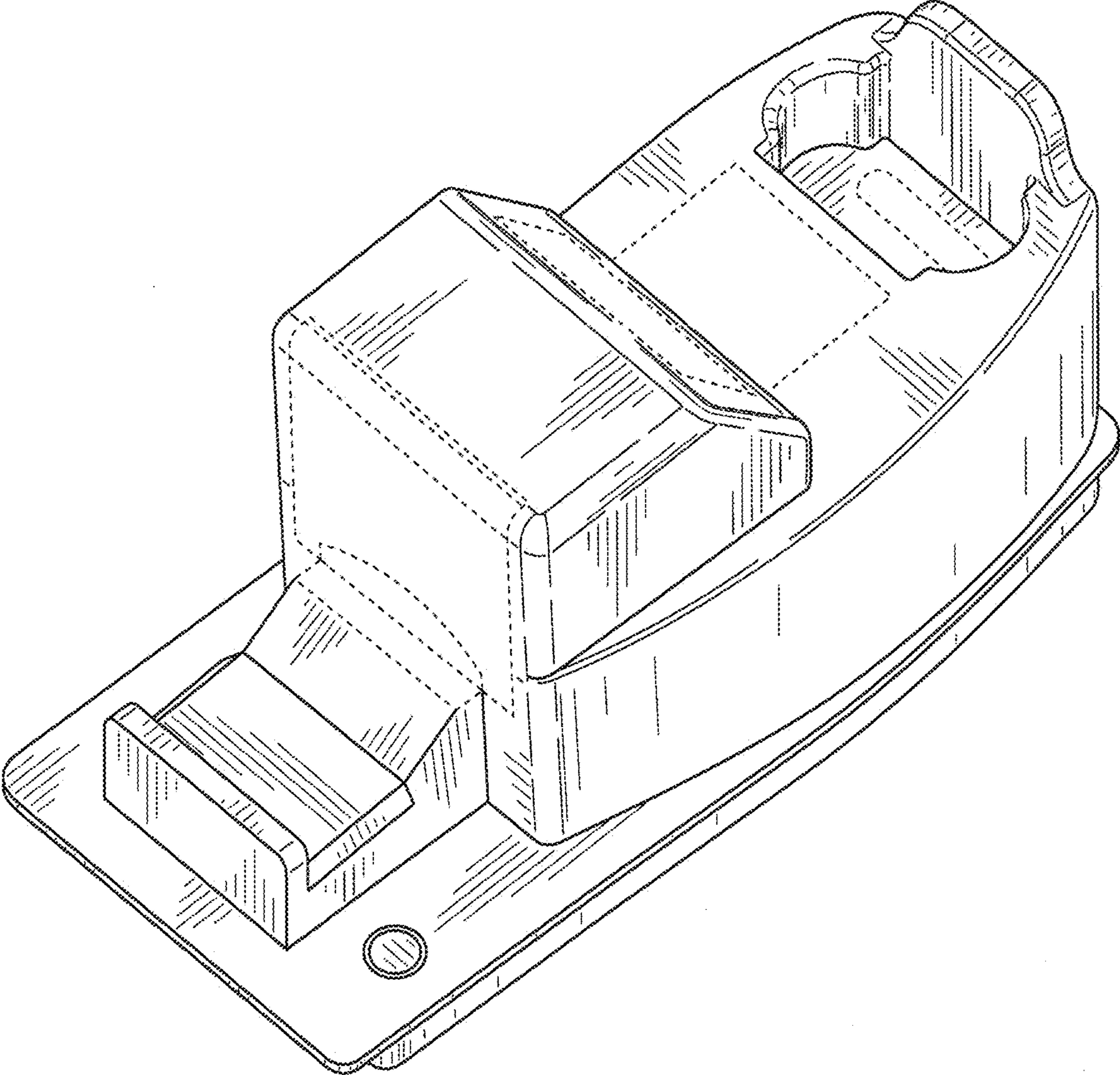


FIG. 1

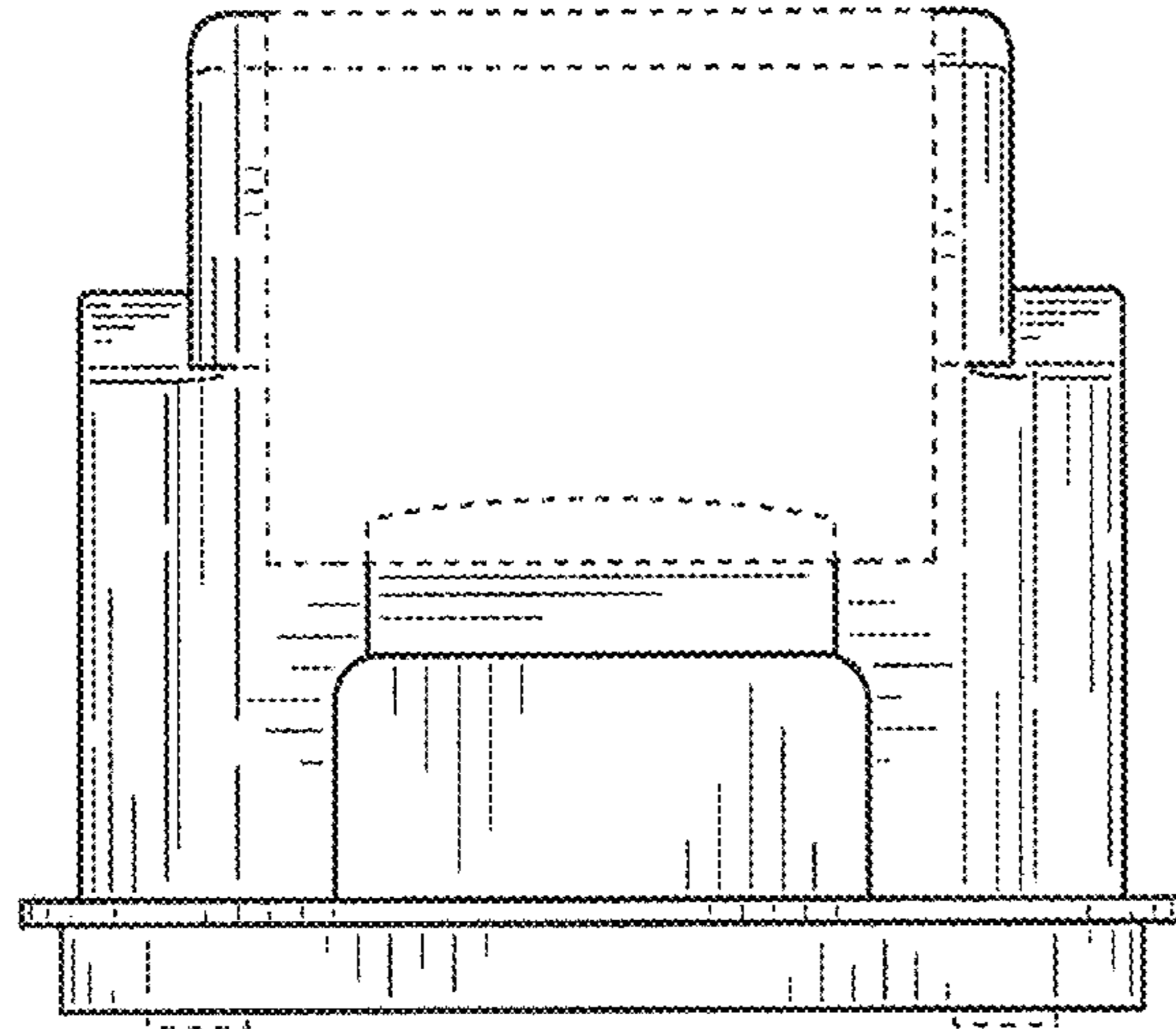


FIG. 2

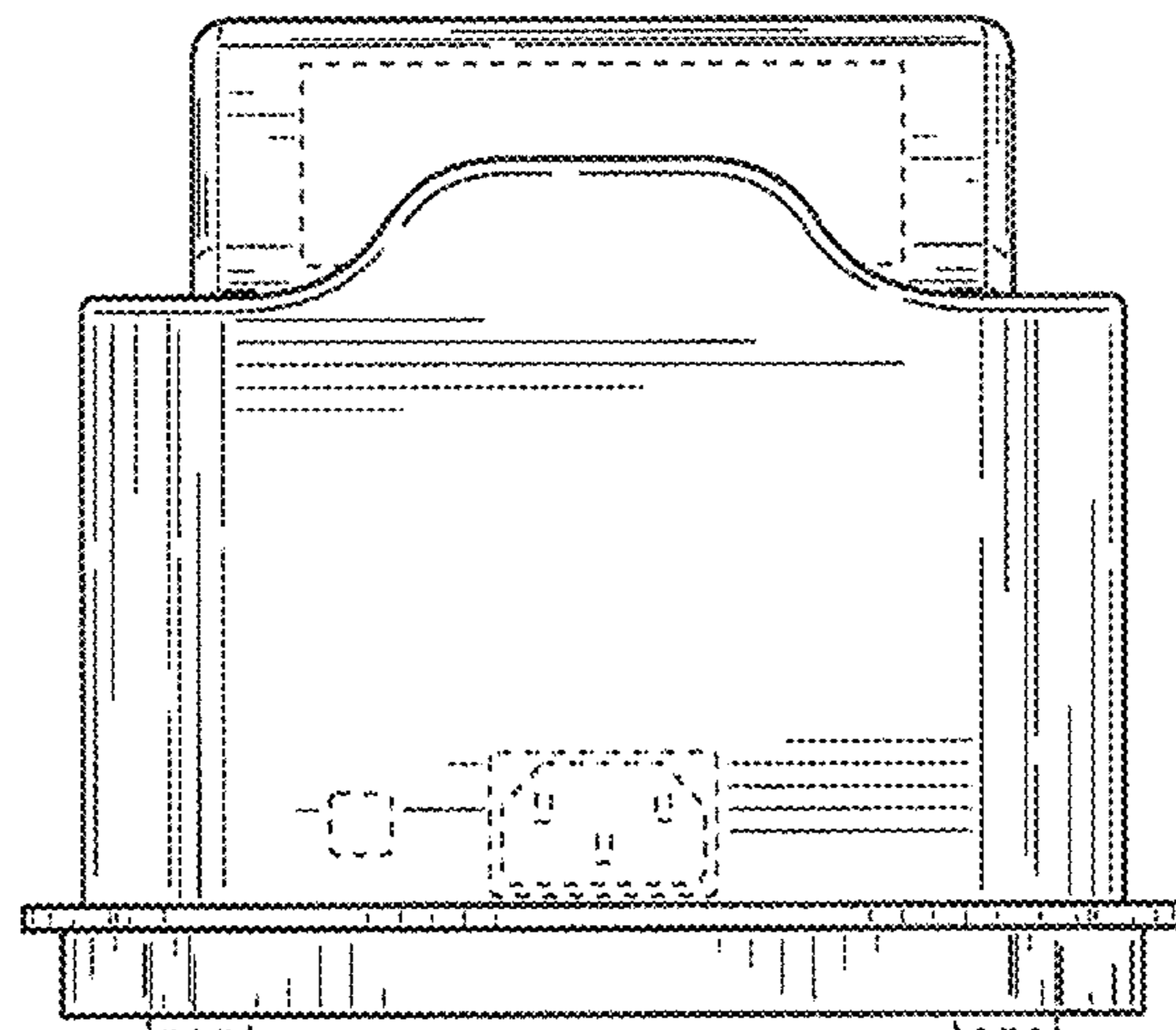


FIG. 3

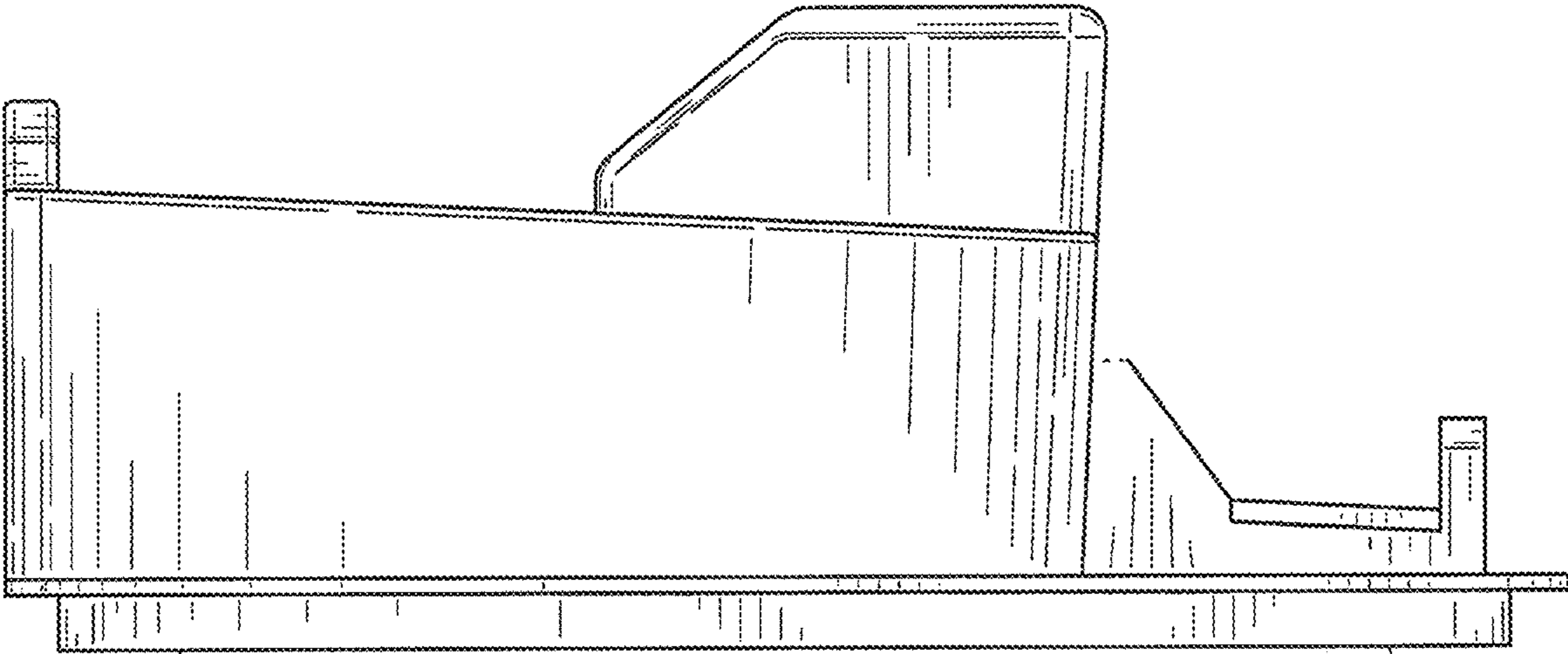


FIG. 4

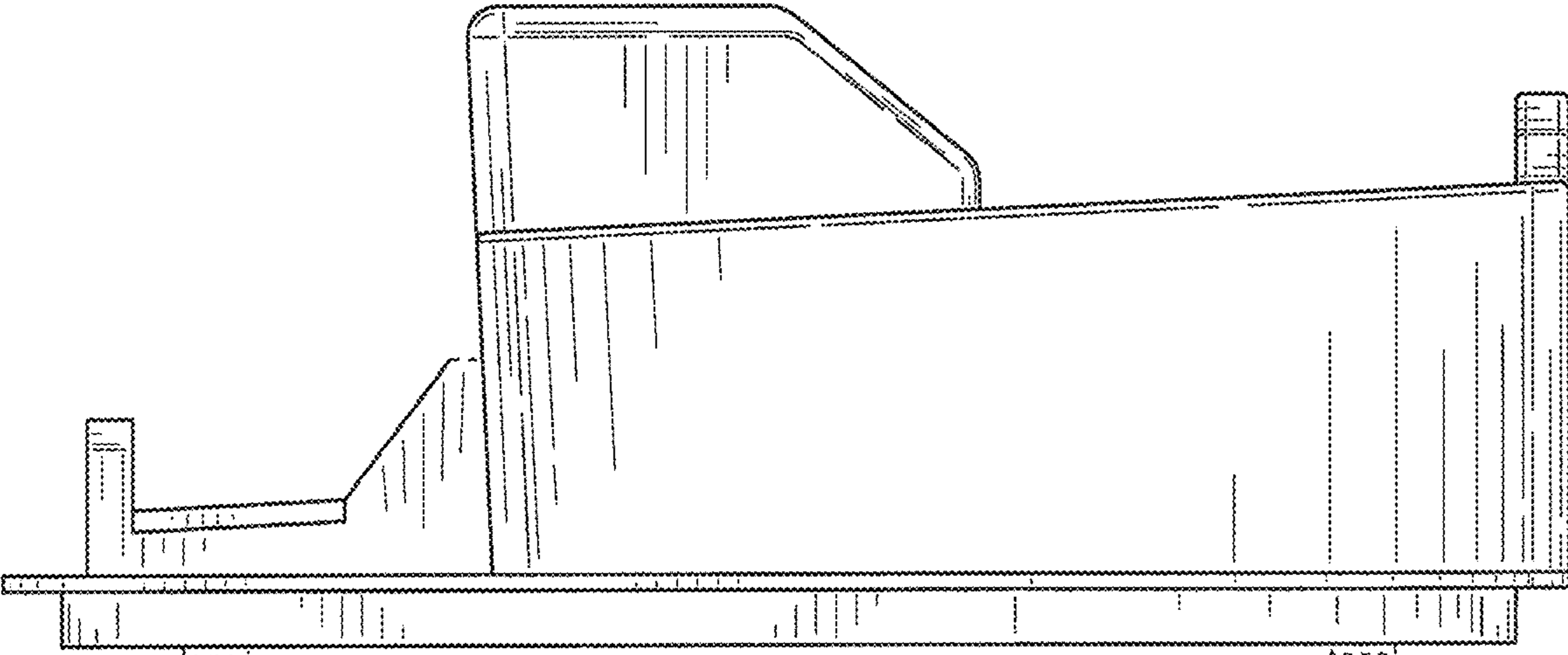


FIG. 5

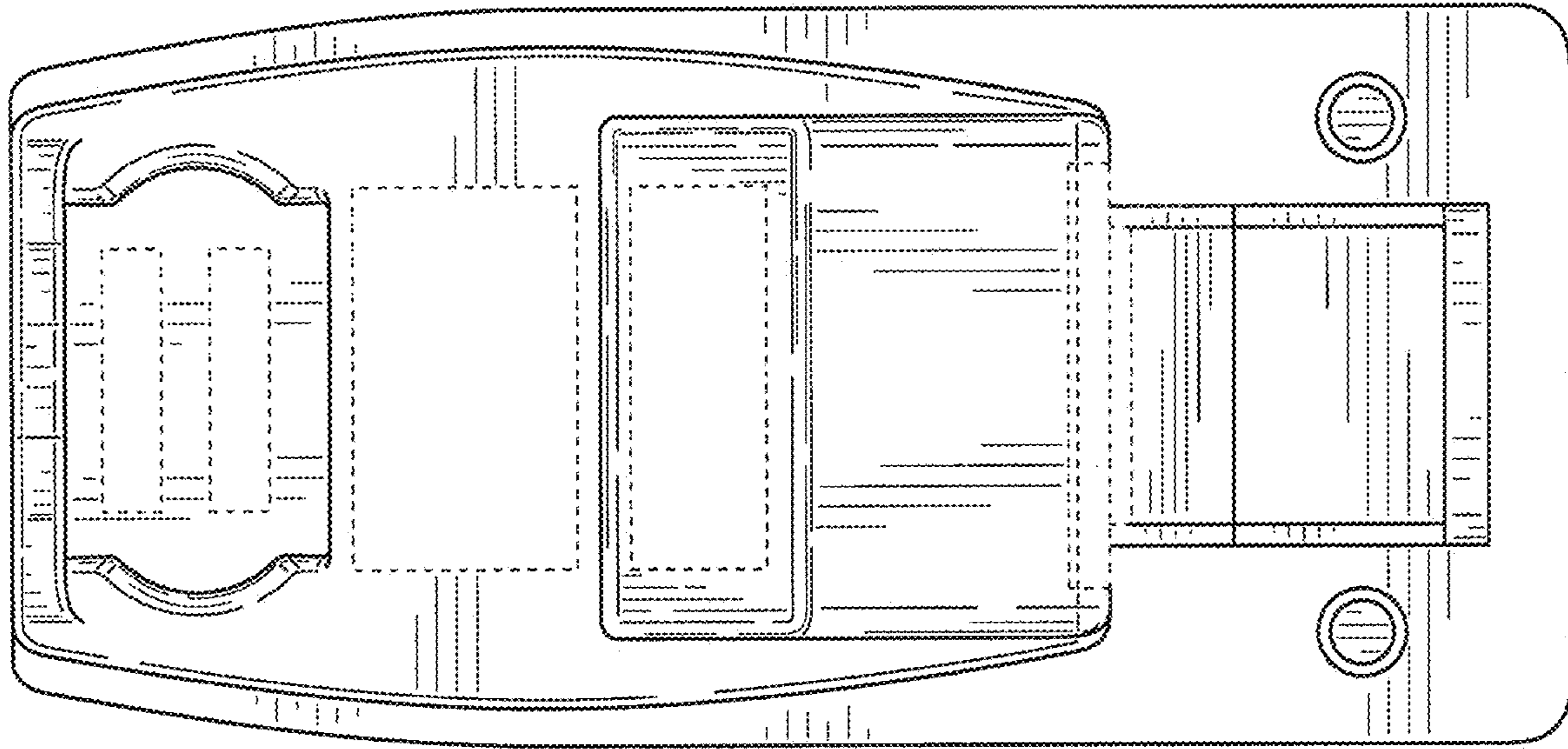


FIG. 6

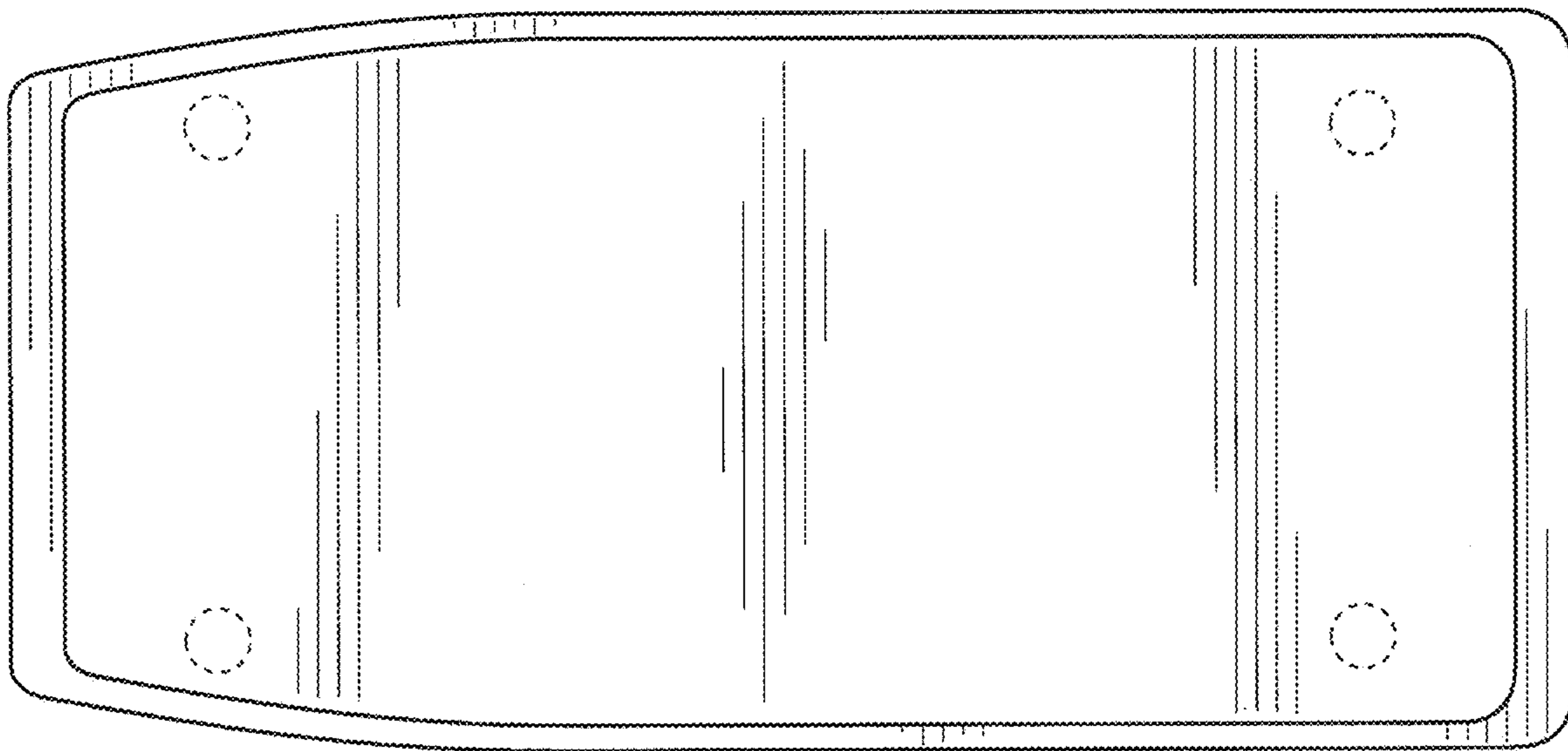


FIG. 7

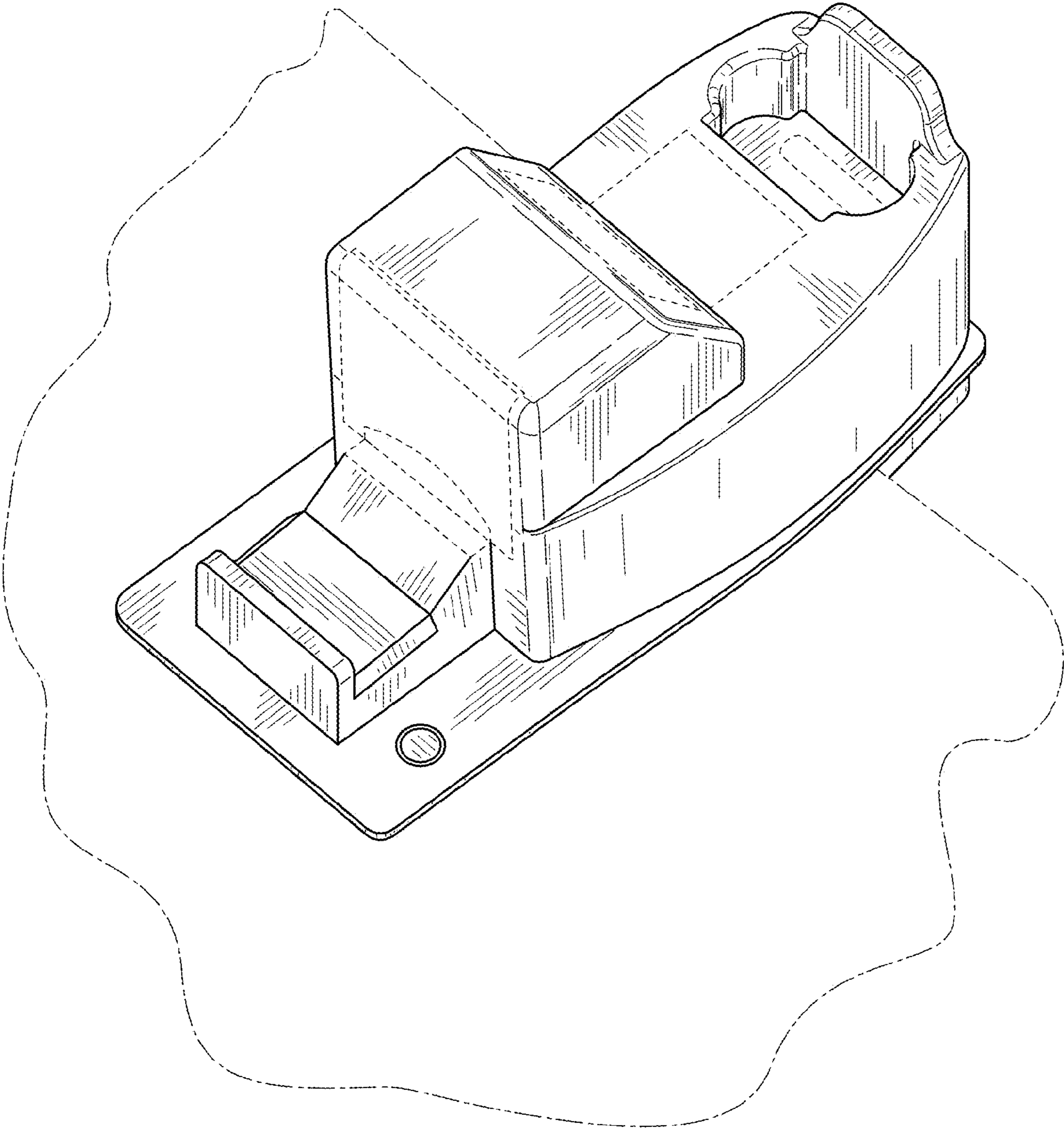


FIG. 8

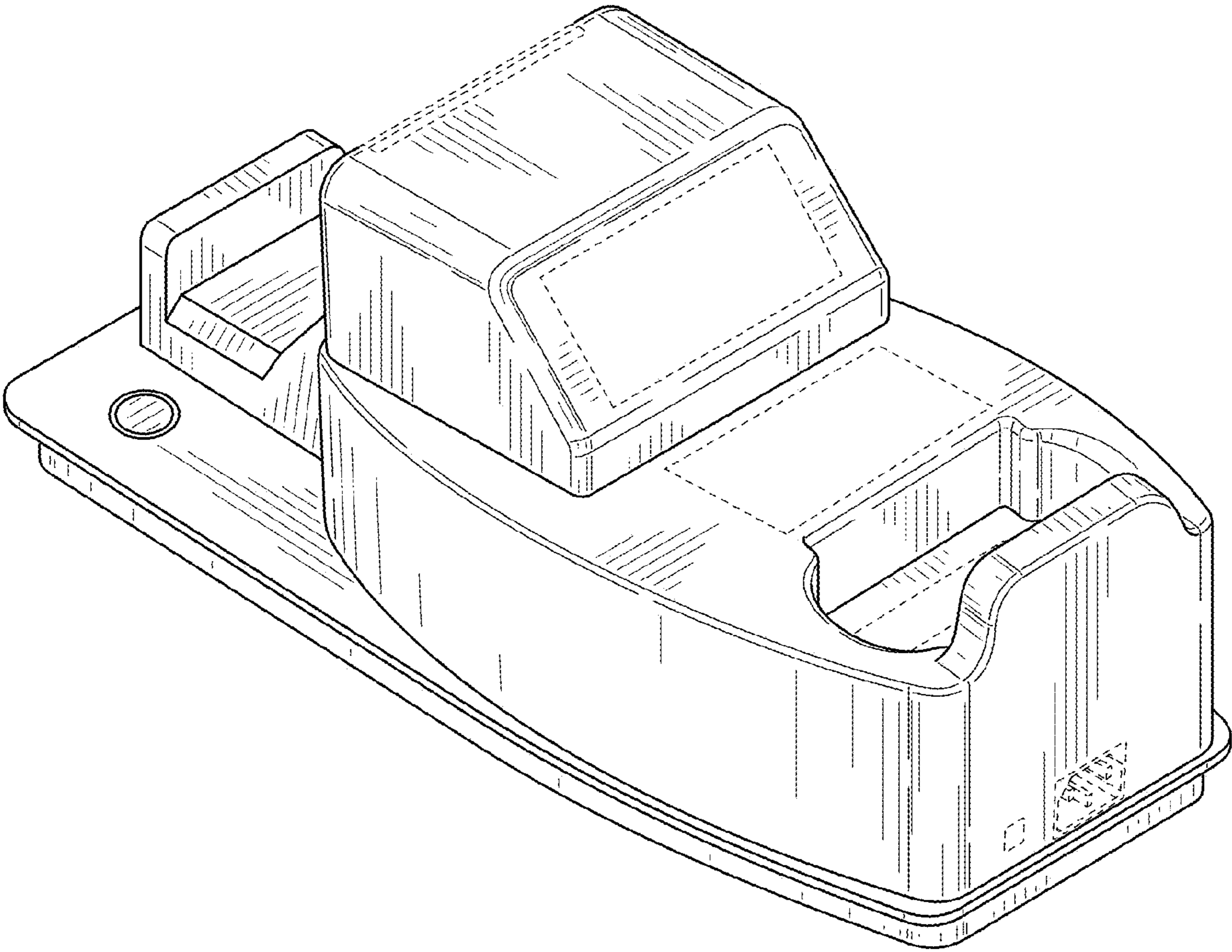


FIG. 9