



US00D892214S

(12) **United States Design Patent** (10) **Patent No.:** **US D892,214 S**
Jordan (45) **Date of Patent:** **** Aug. 4, 2020**

(54) **CHALK HOLDER**
(71) Applicant: **Robert Jordan**, Kings Park, NY (US)
(72) Inventor: **Robert Jordan**, Kings Park, NY (US)
(**) Term: **15 Years**
(21) Appl. No.: **29/655,258**
(22) Filed: **Jul. 2, 2018**
(51) **LOC (12) Cl.** **19-06**
(52) **U.S. Cl.**
USPC **D19/81**
(58) **Field of Classification Search**
USPC D3/206, 304, 306; D6/553, 567, 573,
D6/574, 672, 673, 675, 675.1, 683, 703.5,
D6/705.4, 705.7, 706; D7/640, 641;
D8/396; D10/71; D19/75, 77-87, 90-92,
D19/95-97; D21/392-394
CPC A47B 23/042; A47B 55/06; A47B 63/00;
A47F 5/005; A47F 7/14; A47F 7/146;
A47F 7/147; B42F 17/08; B43M 99/00;
B43M 99/001; B43M 99/003; B43M
99/004; B43M 99/006; B43M 99/007;
B43M 99/008; B43M 99/009; B43K
23/001; B43K 23/002; B43K 23/02;
B43K 23/04

See application file for complete search history.

(56) **References Cited**

U.S. PATENT DOCUMENTS

1,513,611 A * 10/1924 Laird B43K 23/001
206/443
2,040,374 A * 5/1936 Grimes E04B 1/6137
52/284
2,594,955 A * 4/1952 Markowitz B43K 23/001
131/257
2,644,212 A * 7/1953 Markowitz B43K 23/001
223/109 A

2,979,554 A * 4/1961 Maitland H05K 7/12
174/138 G
3,046,663 A * 7/1962 Fred
3,106,994 A * 10/1963 Scott F16B 5/0291
403/231
3,110,338 A * 11/1963 Rapata F16B 5/0291
411/182
D208,753 S * 9/1967 Curry 251/8
3,627,182 A * 12/1971 Calkins B43K 23/001
224/584
3,756,550 A * 9/1973 Kollitz B42F 1/006
248/206.5
3,800,974 A * 4/1974 Mogel B43K 23/002
220/23.4
D272,917 S * 3/1984 Micucci D19/78
4,763,389 A * 8/1988 Chang B42F 1/006
24/67 R
D309,280 S * 7/1990 Balfanz-Lee D11/201
5,063,681 A * 11/1991 Bradley
D336,731 S * 6/1993 Nichols, Jr. D8/382
D359,987 S * 7/1995 Yoshikawa D19/86
5,820,095 A * 10/1998 Stone B43K 23/00
248/316.7

(Continued)

Primary Examiner — Elizabeth A. Albert
(74) *Attorney, Agent, or Firm* — Boudwin Intellectual
Property; Daniel Boudwin

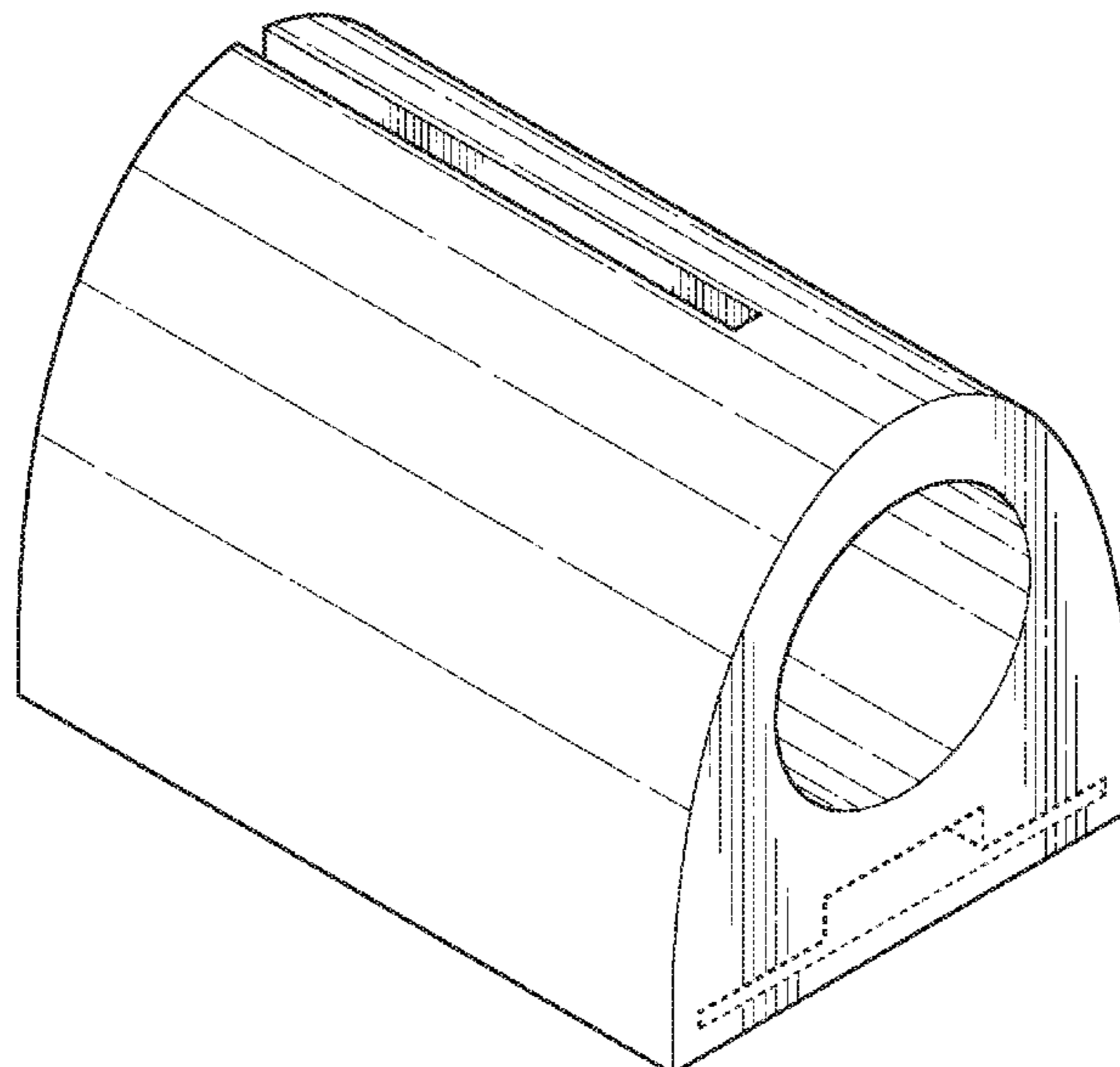
(57) **CLAIM**

The ornamental design for a chalk holder, as shown and
described.

DESCRIPTION

FIG. 1 shows a rear perspective view of a chalk holder;
FIG. 2 shows a front perspective view of the chalk holder;
FIG. 3 shows a rear view of the chalk holder;
FIG. 4 shows a front view of the chalk holder;
FIG. 5 shows a left side view of the chalk holder;
FIG. 6 shows a right side view of the chalk holder;
FIG. 7 shows a top plan view of the chalk holder; and,
FIG. 8 shows a bottom plan view of the chalk holder.

1 Claim, 4 Drawing Sheets



(56)

References Cited

U.S. PATENT DOCUMENTS

5,823,494 A * 10/1998 Jones B43K 23/002
 248/309.1
 6,367,126 B1 * 4/2002 Rivkin A45F 5/02
 24/10 R
 6,386,589 B1 * 5/2002 Yuh B42F 9/001
 248/444.1
 D458,637 S * 6/2002 Gaeta D19/135
 6,470,581 B1 10/2002 Kolodzieski
 6,971,616 B1 * 12/2005 Lake B42F 9/001
 24/67.3
 7,028,411 B1 4/2006 Kasche
 7,111,812 B2 * 9/2006 Shannon H04M 1/04
 248/227.3
 D628,050 S * 11/2010 Petersen D8/356
 8,235,262 B1 * 8/2012 Sakdol A42B 3/04
 224/183
 D691,032 S * 10/2013 Chen D8/396
 D720,400 S * 12/2014 Featherston A44C 5/0046
 D19/85
 D757,822 S * 5/2016 Bowyer D15/5
 D793,477 S * 8/2017 Morel D19/88
 2003/0145500 A1 * 8/2003 Lykens G09F 7/04
 40/661.01
 2007/0068021 A1 3/2007 Fisher
 2019/0077184 A1 * 3/2019 Jordan B43K 23/016

* cited by examiner

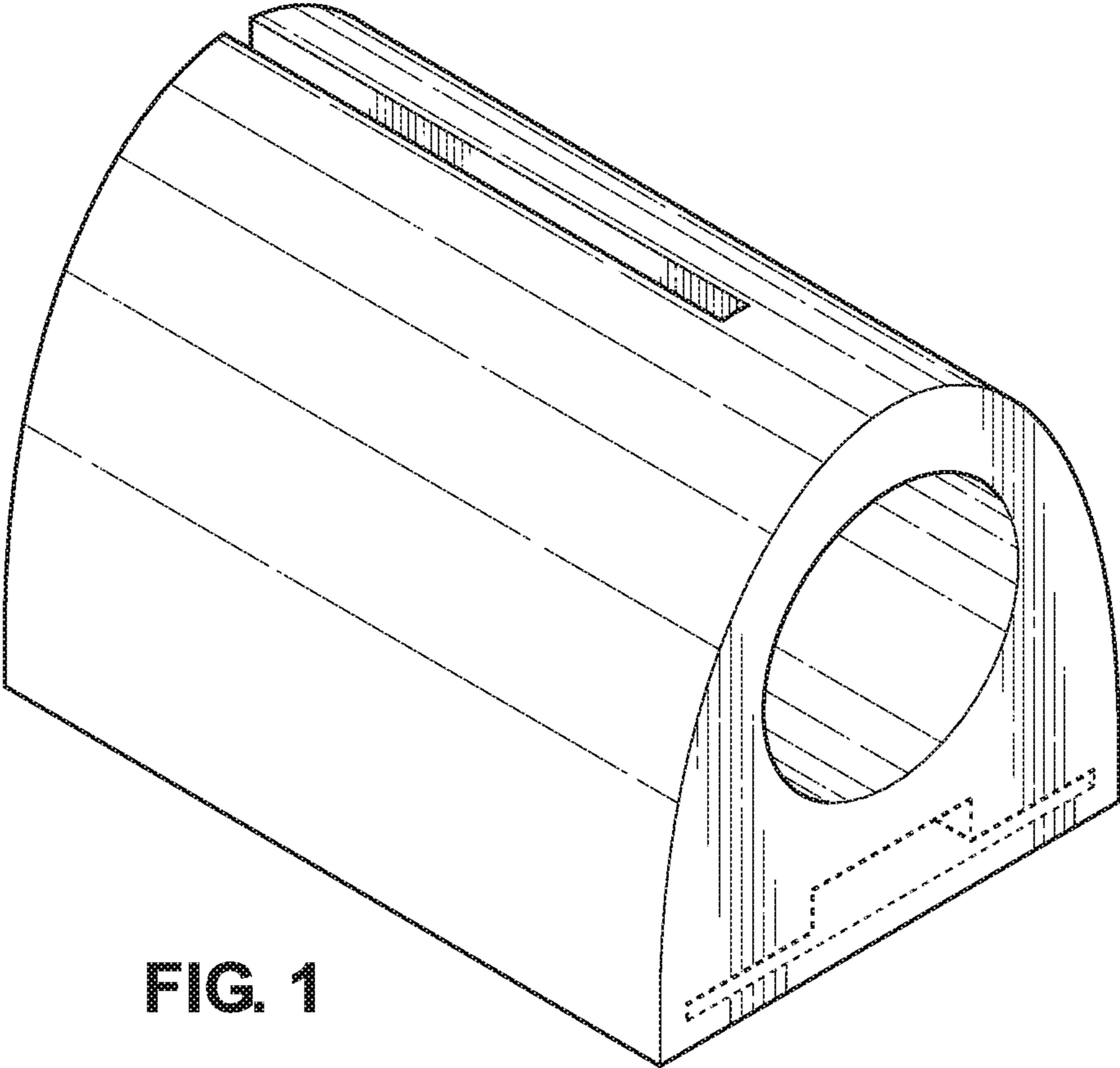


FIG. 1

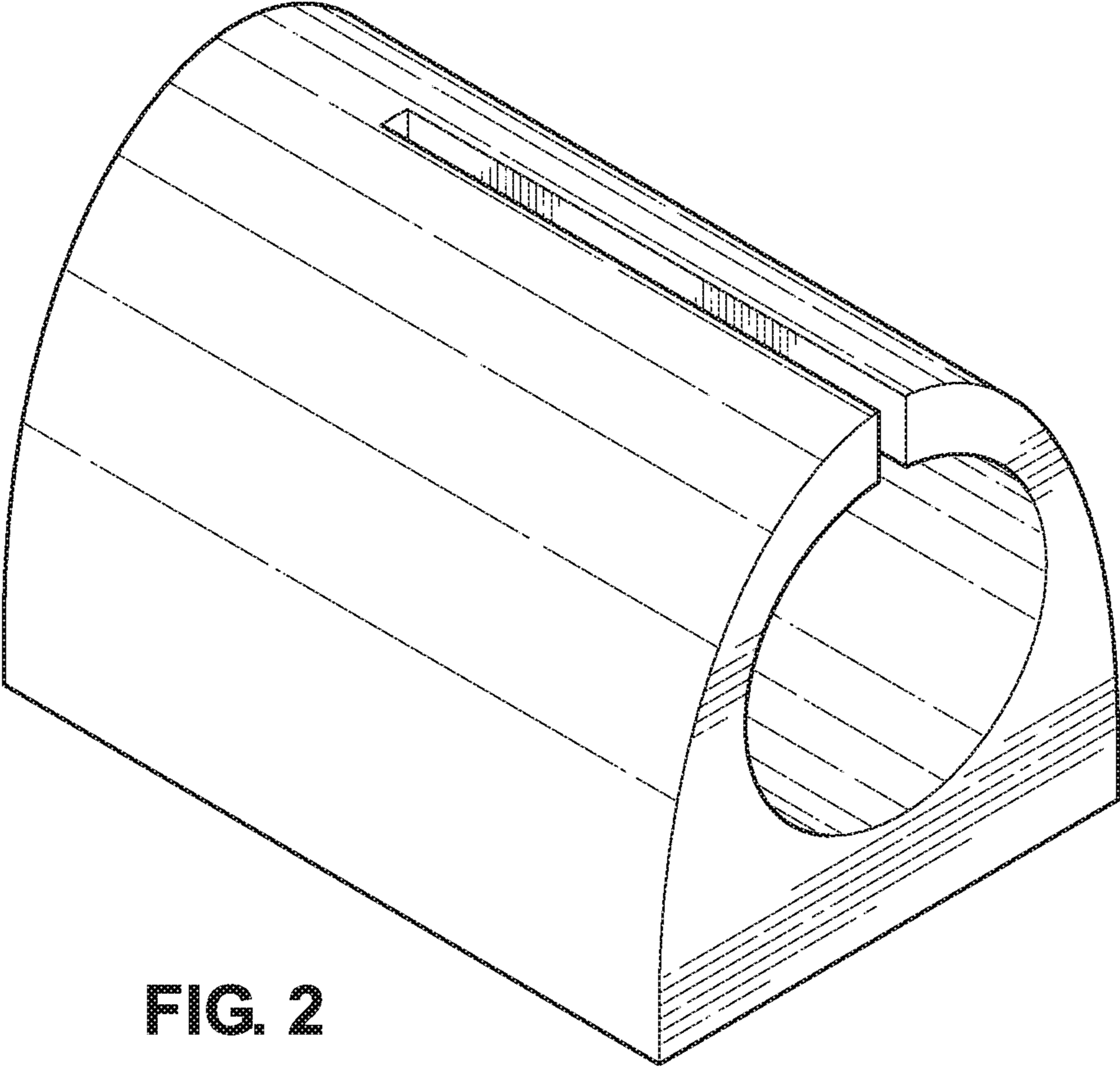


FIG. 2

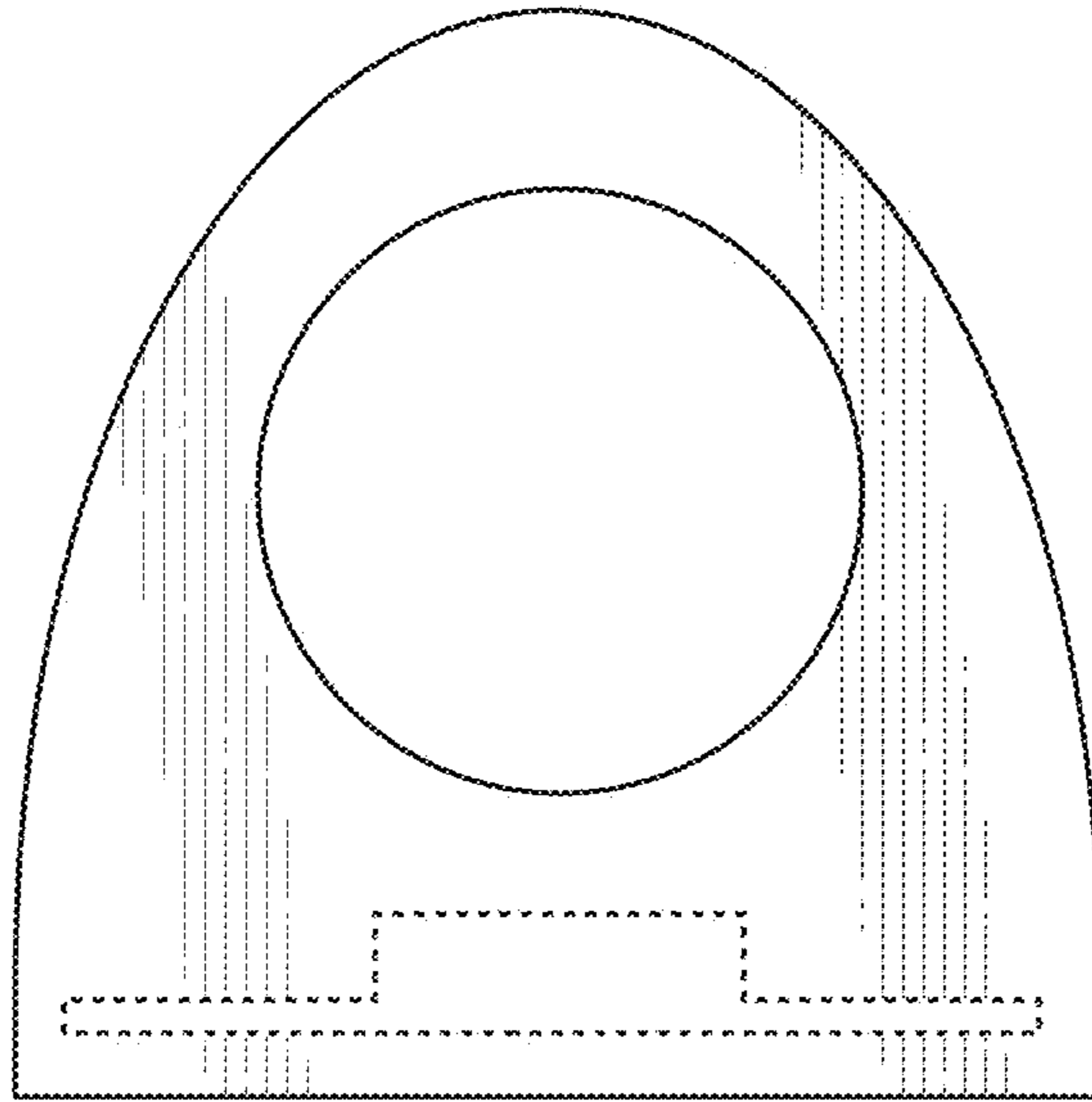


FIG.3

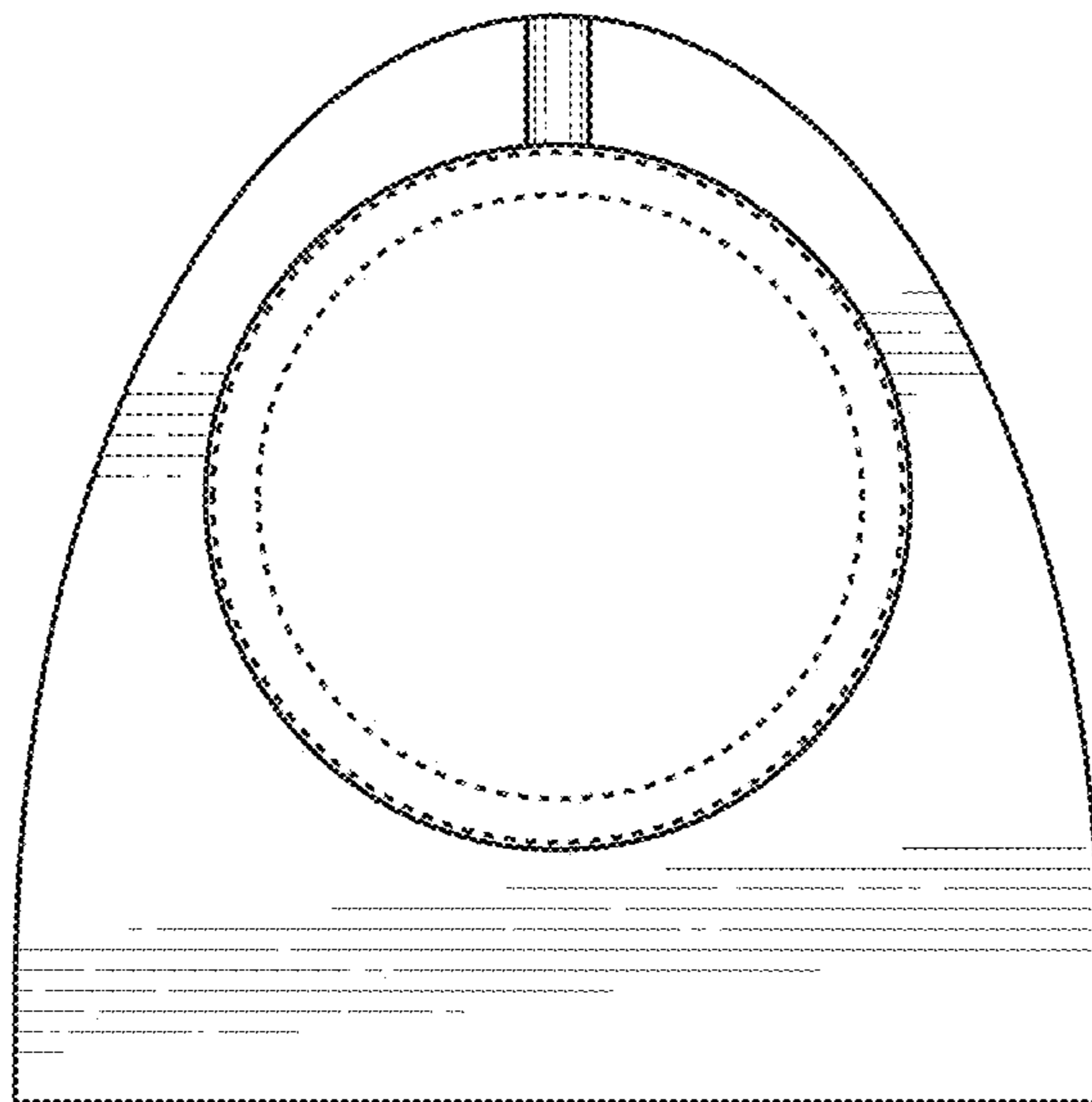


FIG.4

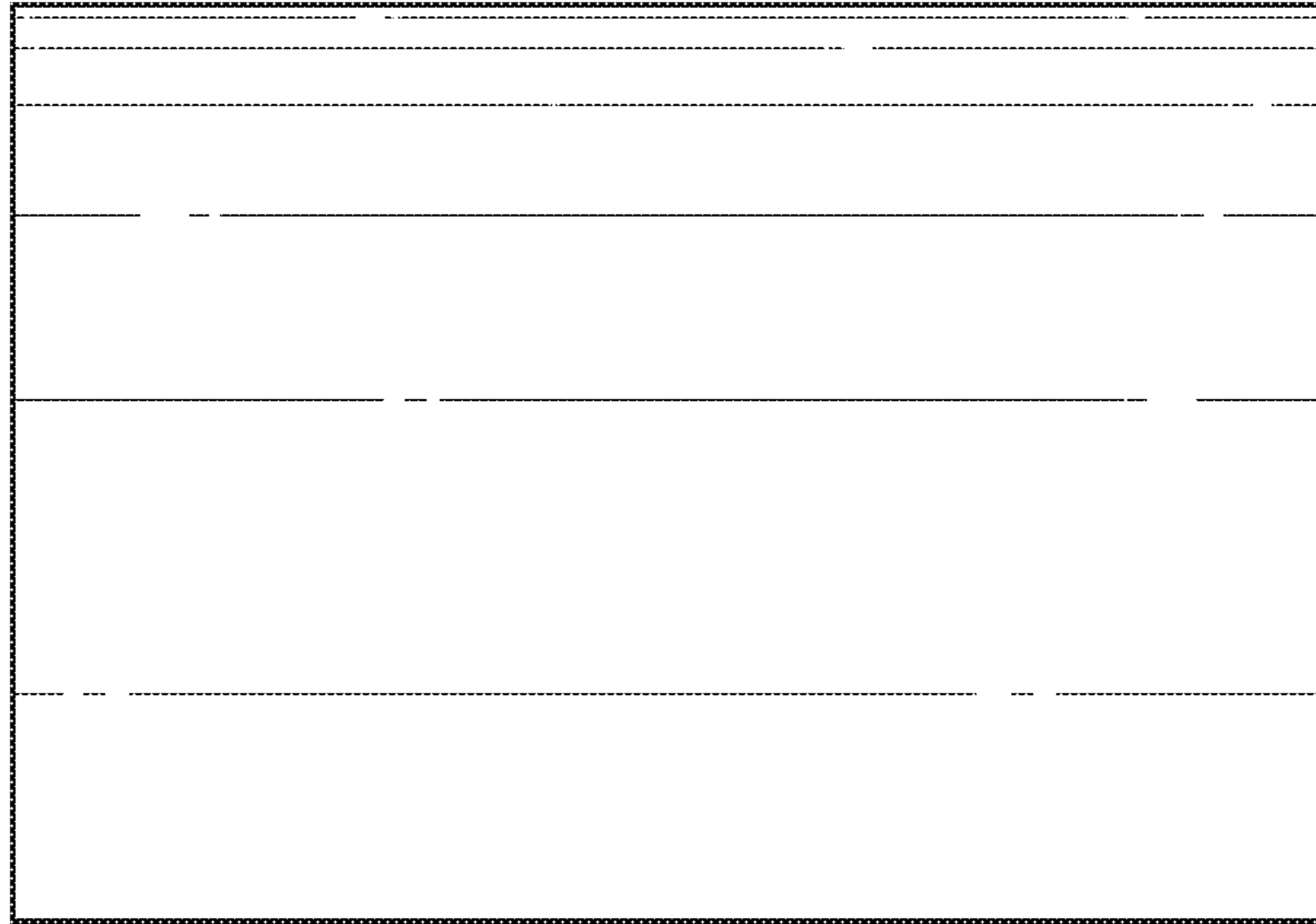


FIG. 5



FIG. 6

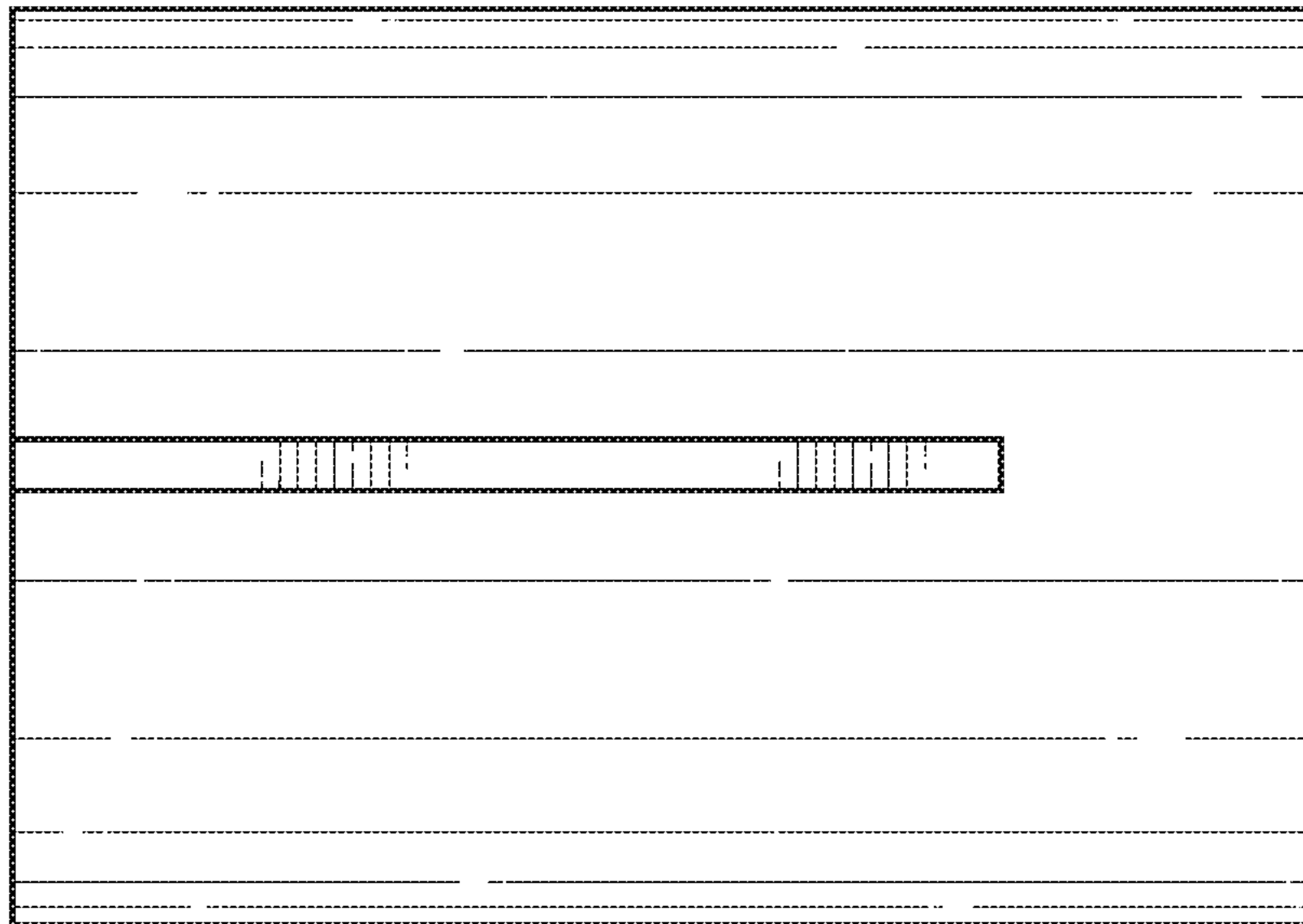


FIG. 7

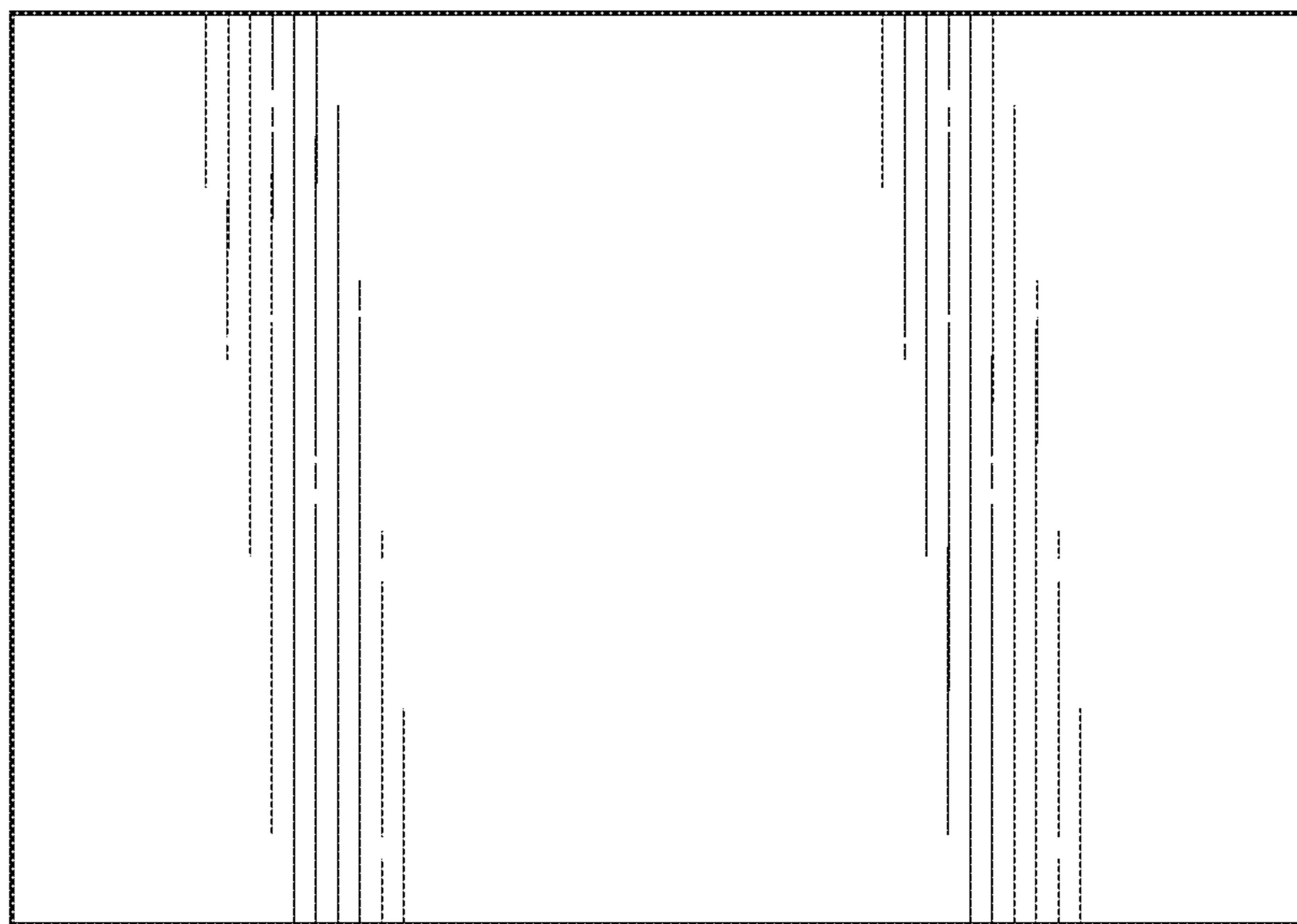


FIG. 8