



US00D892212S

(12) **United States Design Patent**
Sato et al.

(10) **Patent No.:** **US D892,212 S**
(45) **Date of Patent:** **** Aug. 4, 2020**

- (54) **NOTE TAB**
- (71) Applicant: **CCL Label, Inc.**, Framingham, MA (US)
- (72) Inventors: **Jay Sato**, Mission Viejo, CA (US); **Eric Cushing**, Riverside, CA (US)
- (73) Assignee: **CCL Label, Inc.**, Framingham, MA (US)
- (**) Term: **15 Years**
- (21) Appl. No.: **29/580,932**
- (22) Filed: **Oct. 14, 2016**

Related U.S. Application Data

- (63) Continuation of application No. 29/514,960, filed on Jan. 19, 2015, now Pat. No. Des. 772,338.
- (51) **LOC (12) Cl.** **19-01**
- (52) **U.S. Cl.**
USPC **D19/1**
- (58) **Field of Classification Search**
USPC 229/67.1–67.4, 72; D19/1, 2, 26–33, 86, D19/90, 99, 100, 113
CPC B42F 21/00; B42F 21/021; B42F 21/025; B42F 21/04; B42F 21/045; B42F 21/06; B42F 21/065; B42F 21/08; B42F 21/10; B42F 19/00; B42F 19/04; B42F 17/00
See application file for complete search history.

(56) **References Cited**

U.S. PATENT DOCUMENTS

- 1,071,625 A * 8/1913 Morrell B42F 19/00
40/27
- 1,077,334 A * 11/1913 Dunleavy B42F 19/00
40/360
- 1,150,034 A * 8/1915 Hub B42F 19/00
40/360

- 1,218,558 A * 3/1917 Hub, Jr. B42F 19/00
40/360
- 1,257,160 A * 2/1918 Wagemaker B42F 19/00
40/360
- 1,259,322 A * 3/1918 Vawter B42F 19/00
40/360
- 1,273,960 A * 7/1918 Wagemaker B42F 19/00
40/360
- 1,455,123 A * 5/1923 Stevens B42F 17/00
434/109
- 1,460,761 A * 7/1923 McPike B42F 19/00
40/360
- 1,641,488 A * 9/1927 Hoge B42F 17/00
40/384
- 1,700,821 A * 2/1929 Dawson B42F 19/00
40/360
- 1,705,753 A * 3/1929 Dawson B42F 19/00
40/360
- 1,757,122 A * 5/1930 Hunter B42F 19/00
40/360
- 1,804,528 A * 5/1931 Donnell B42F 19/00
40/360

(Continued)

Primary Examiner — Elizabeth A. Albert

(74) *Attorney, Agent, or Firm* — McDonald Hopkins LLC

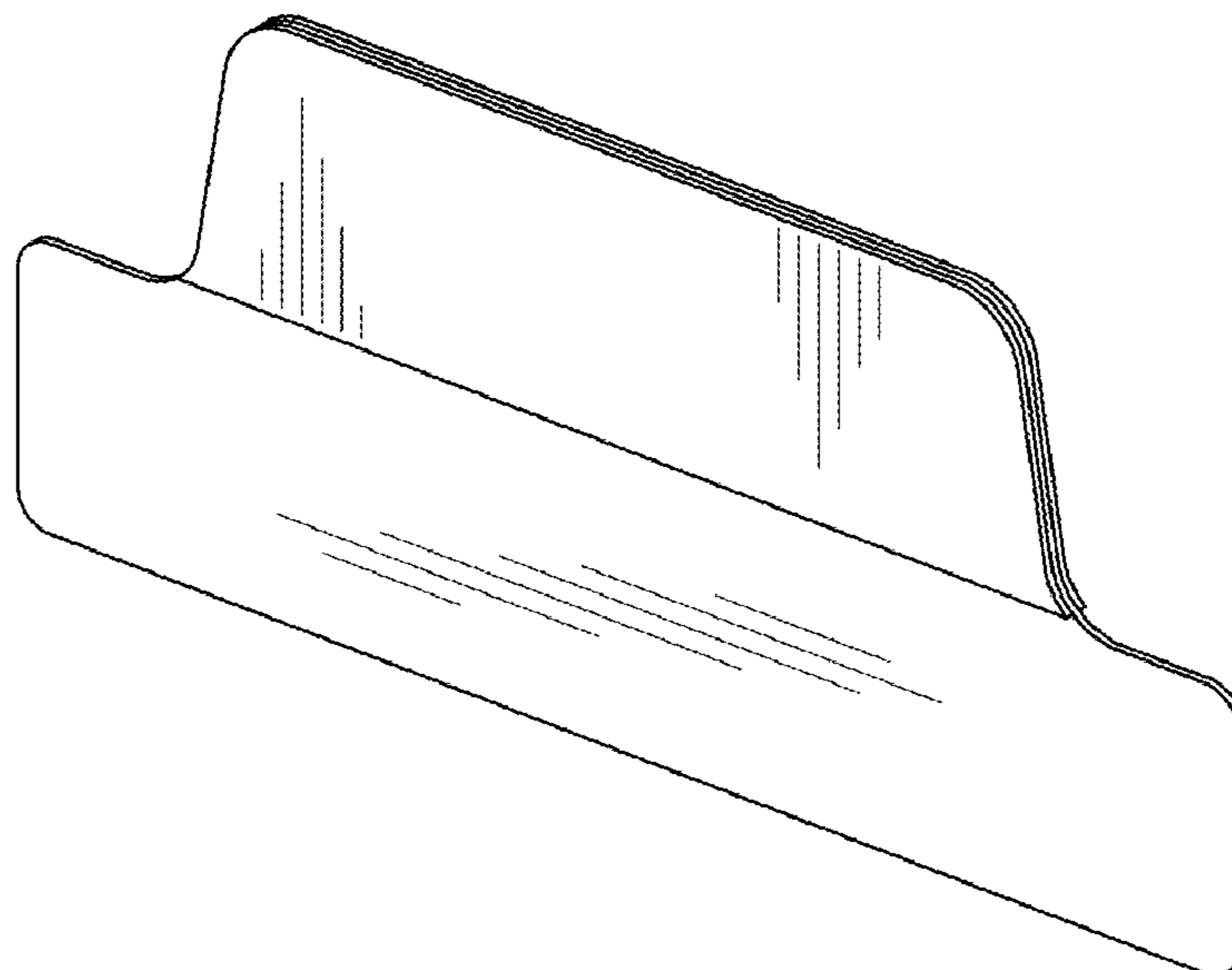
(57) **CLAIM**

The ornamental design for a note tab, as shown and described.

DESCRIPTION

FIG. 1 is a perspective view of a note tab showing my new design;
 FIG. 2 is a front view thereof;
 FIG. 3 is a rear view thereof;
 FIG. 4 is a first side view thereof;
 FIG. 5 is a second side view thereof;
 FIG. 6 is a top view thereof; and,
 FIG. 7 is a bottom view thereof.

1 Claim, 2 Drawing Sheets



(56)

References Cited

U.S. PATENT DOCUMENTS

1,848,098	A *	3/1932	Aigner	B42F 19/00	6,068,423	A *	5/2000	Owen	B42F 13/00
					40/641						281/38
1,868,188	A *	7/1932	Barker	B42F 19/00	D443,894	S *	6/2001	Schwartz	B42F 21/04
					283/114						D19/1
1,983,878	A *	12/1934	Rand	B42F 19/00	D447,770	S *	9/2001	Chan	D19/1
					206/813	6,364,366	B1 *	4/2002	Schwartz	B42F 21/04
2,693,807	A *	11/1954	Stark	B42F 21/10						283/101
					40/382	6,409,409	B2 *	6/2002	Bauman	B42F 21/00
5,407,234	A *	4/1995	Rettker	B42F 21/02						229/67.1
					283/117	8,117,774	B2 *	2/2012	Meltzer	B42F 21/025
5,468,085	A *	11/1995	Kline	B42F 21/025						229/67.2
					281/38	D667,494	S *	9/2012	Sato	D19/1
5,558,454	A *	9/1996	Owen	B42F 13/00	D679,753	S *	4/2013	Sato	D19/1
					281/38	D680,166	S *	4/2013	Sato	D19/1
5,836,710	A *	11/1998	Owen	B42F 13/00	D681,110	S *	4/2013	Sato	D19/1
					281/38	D681,111	S *	4/2013	Sato	D19/1
5,911,442	A *	6/1999	Olson	B42D 1/005	8,778,474	B2 *	7/2014	Sato	B42D 5/003
					281/42						428/343
						D772,338	S *	11/2016	Sato	D19/1
						9,527,331	B2 *	12/2016	Sato	B42D 5/003

* cited by examiner

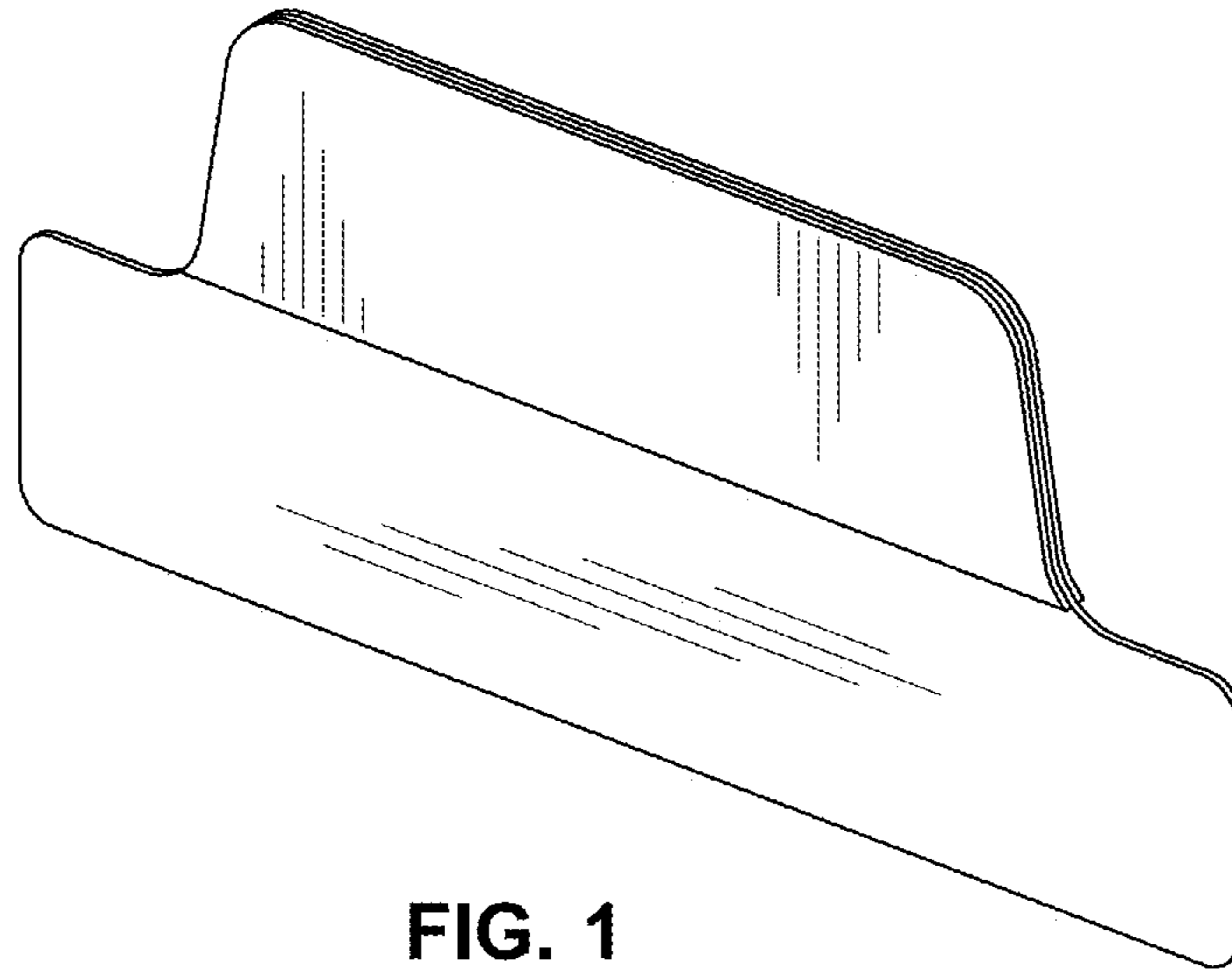


FIG. 1

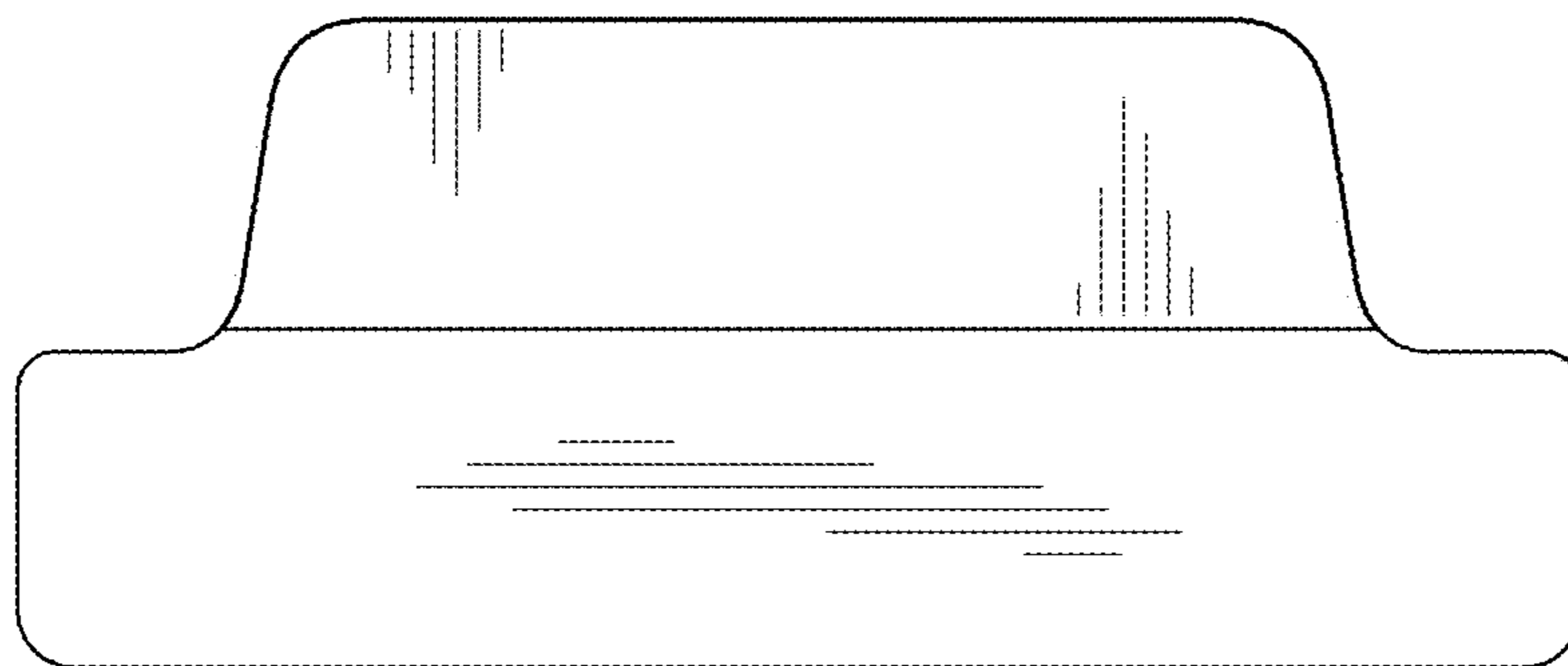


FIG. 2

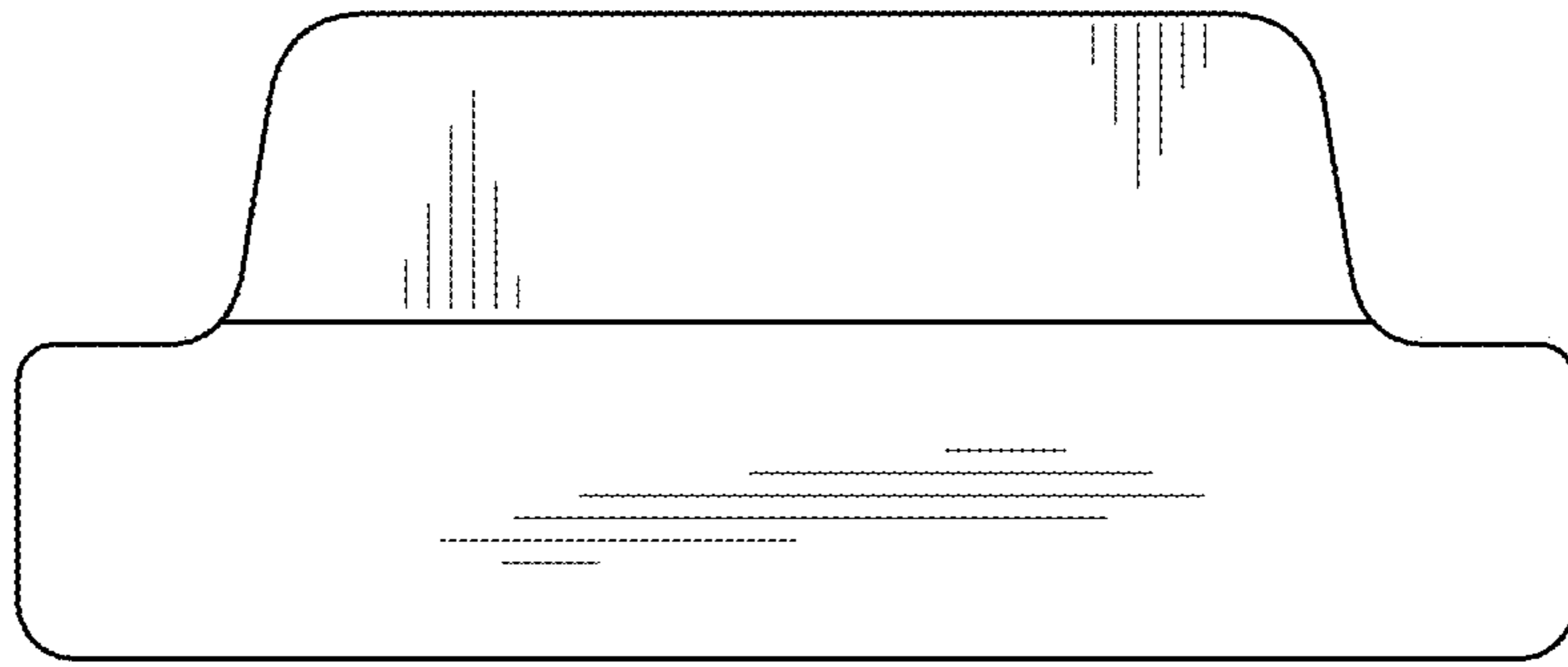


FIG. 3



FIG. 4



FIG. 5

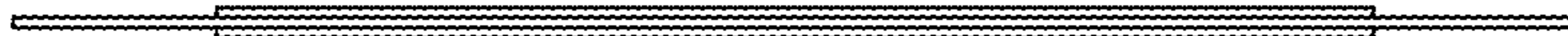


FIG. 6

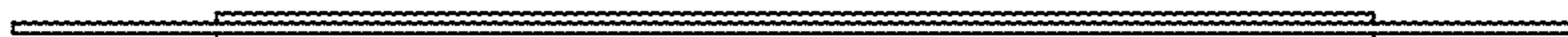


FIG. 7