



US00D892207S

(12) **United States Design Patent** (10) **Patent No.:** **US D892,207 S**
Bernstein (45) **Date of Patent:** **** Aug. 4, 2020**

(54) **SWITCH TOPPER**

FOREIGN PATENT DOCUMENTS

(71) Applicant: **Arthur B. Bernstein**, Rio Rancho, NM
(US)

CN 201630502884 * 10/2016
CN 201630627442 * 12/2016
KR 3020100055714 * 12/2010

(72) Inventor: **Arthur B. Bernstein**, Rio Rancho, NM
(US)

OTHER PUBLICATIONS

(**) Term: **15 Years**

Amazon, DealMux AC Red Button, posted Apr. 30, 2016, [online],
[visited May 23, 2019]. Internet, URL: [https://www.amazon.co.uk/
Emergency-Switch-Mushroom-Latching-Button/dp/B0788Q6JNN/
ref=olp_product_details?_encoding=UTF8&me=](https://www.amazon.co.uk/Emergency-Switch-Mushroom-Latching-Button/dp/B0788Q6JNN/ref=olp_product_details?_encoding=UTF8&me=) (Year: 2016).*

(21) Appl. No.: **29/618,977**

* cited by examiner

(22) Filed: **Sep. 26, 2017**

(51) **LOC (12) Cl.** **17-99**

(52) **U.S. Cl.**

Primary Examiner — Sheryl Lane
Assistant Examiner — Samantha N Wood

USPC **D17/99**; D13/174

(58) **Field of Classification Search**

(57) **CLAIM**

USPC D17/20, 21, 99; D8/300, 307, 310, 321,
D8/322, 499, 312, 311, 306; D13/158,
D13/162, 171, 173, 174, 165, 159, 178,
D13/177; D7/387, 393, 395, 396;
D10/50, 103; D14/217, 257, 221, 265
CPC .. G10G 3/00; G10G 3/02; G10G 3/04; G10H
2210/231; G10H 2220/071; G10H
2220/305

The ornamental design for a switch topper, as shown and
described.

See application file for complete search history.

DESCRIPTION

(56) **References Cited**

FIG. 1 is a Side View of the switch topper, showing my new
design;

U.S. PATENT DOCUMENTS

D390,197 S * 2/1998 Thomas D13/174
D402,269 S * 12/1998 Waters D13/171
D597,632 S * 8/2009 Obara D23/250
D630,616 S * 1/2011 Vex D14/217
D652,898 S * 1/2012 Flowers D23/252
D669,865 S * 10/2012 Gilbert D10/49
D729,179 S * 5/2015 Cheung D13/171
D761,349 S * 7/2016 Fisher D17/20
D778,980 S * 2/2017 Myers D17/20
D791,859 S * 7/2017 Graham D17/99

FIG. 2 is a Top View thereof;

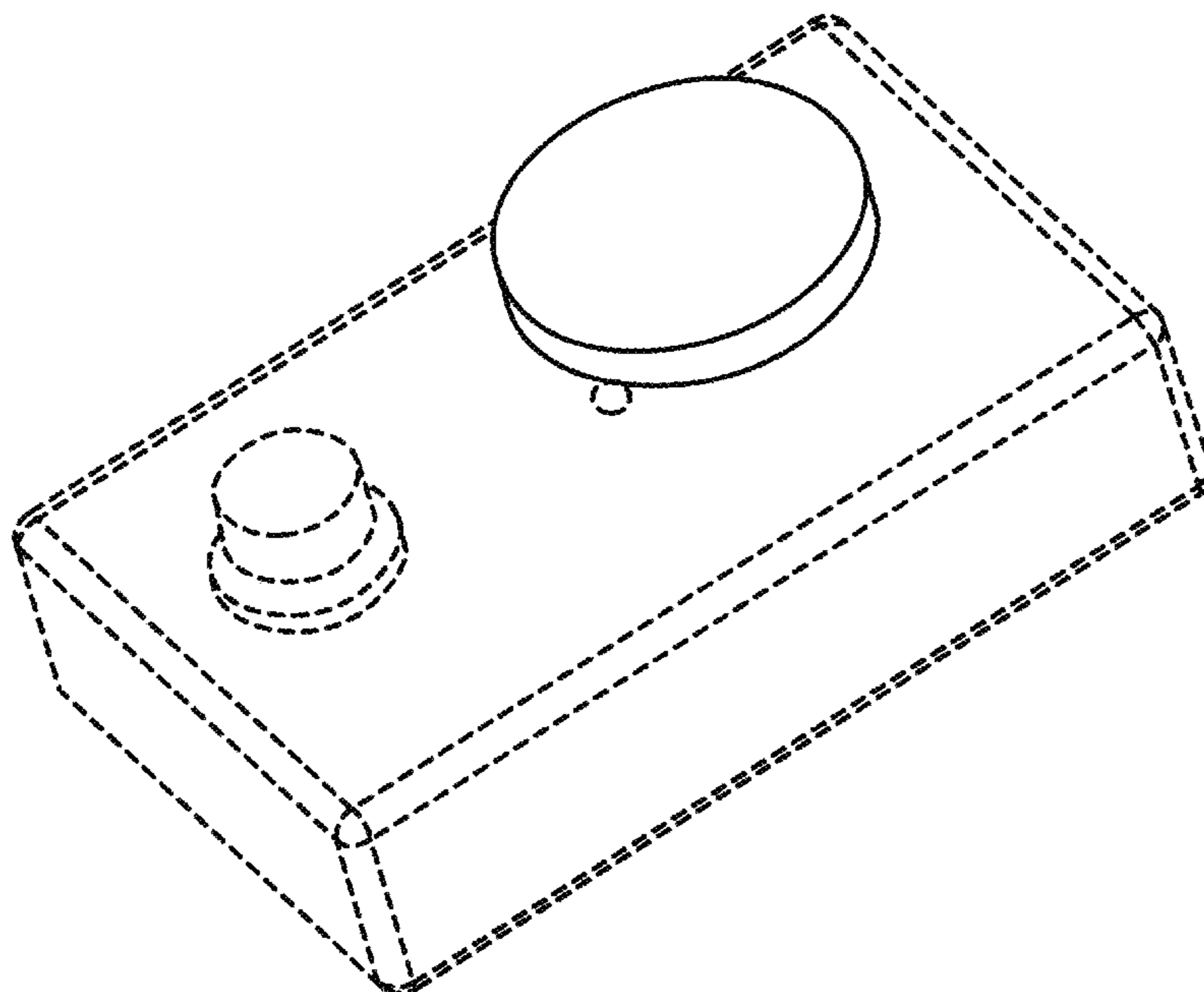
FIG. 3 is a bottom view thereof;

FIG. 4 is a Side View thereof shown in an exemplary
environment; and,

FIG. 5 is a Perspective View thereof shown in an exemplary
environment.

The broken lines in the Figures are included for the purpose
of illustrating environmental structure and forms no part of
the claimed design.

1 Claim, 5 Drawing Sheets



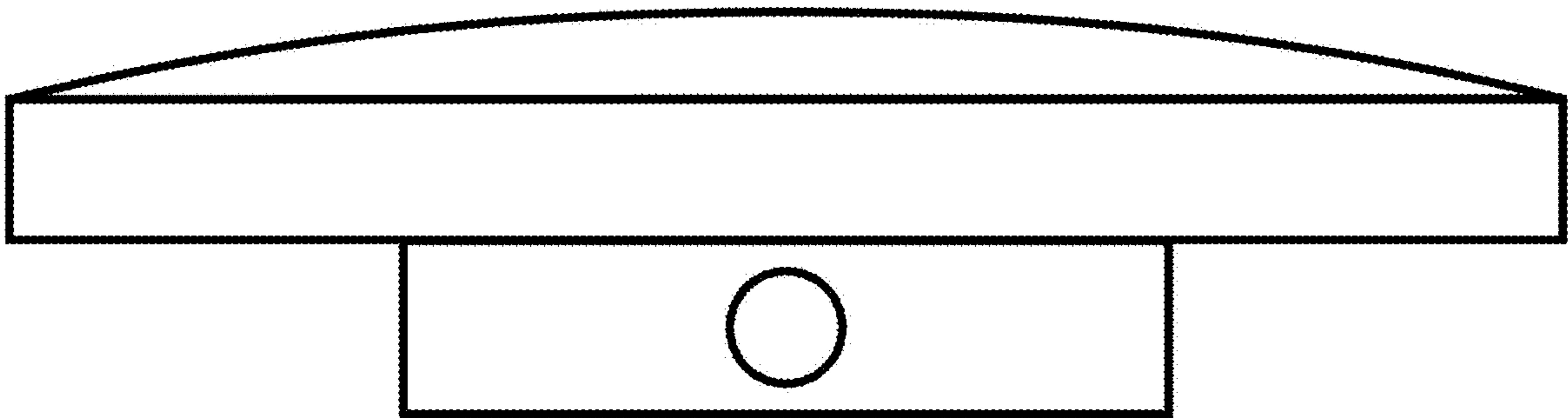


Figure 1

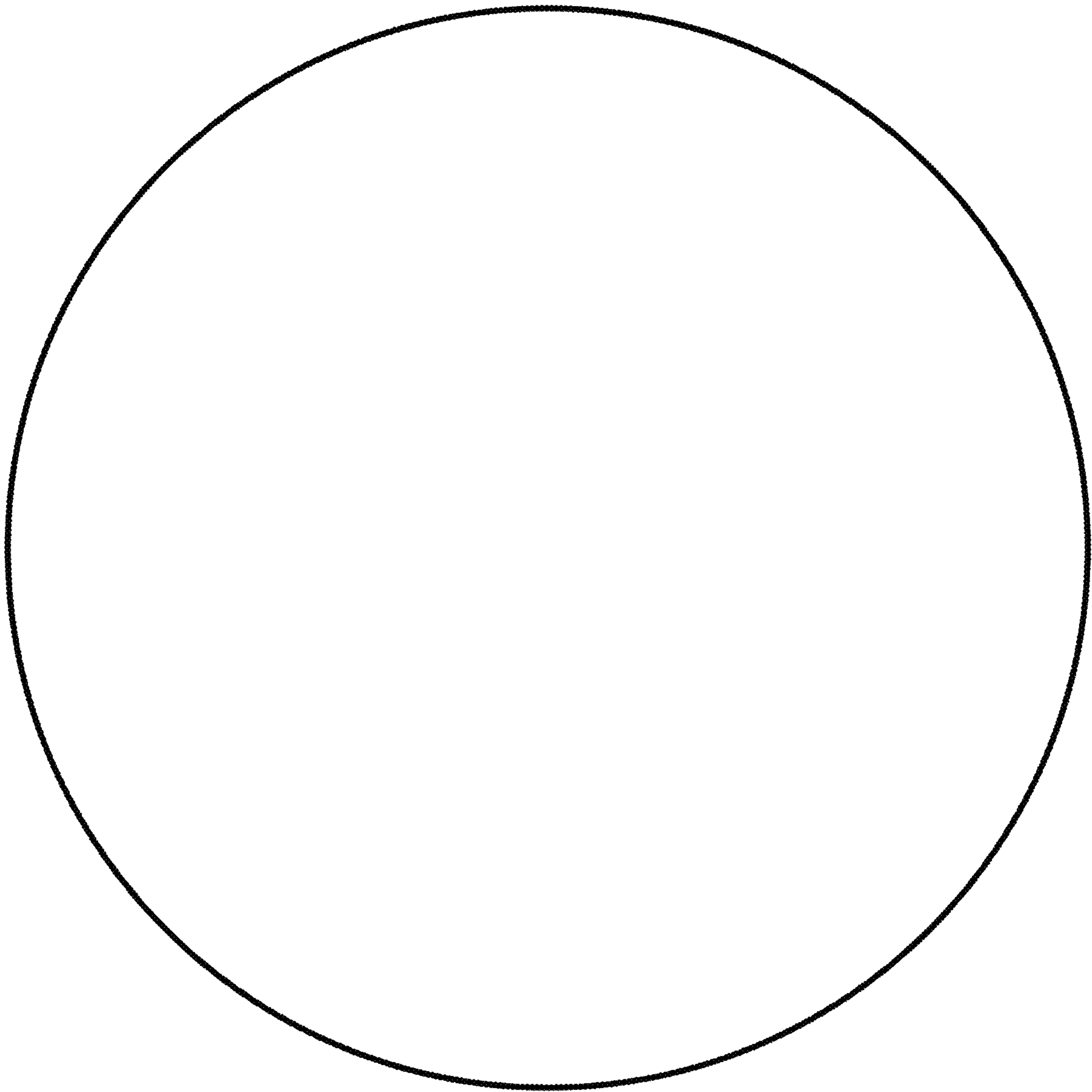


Figure 2

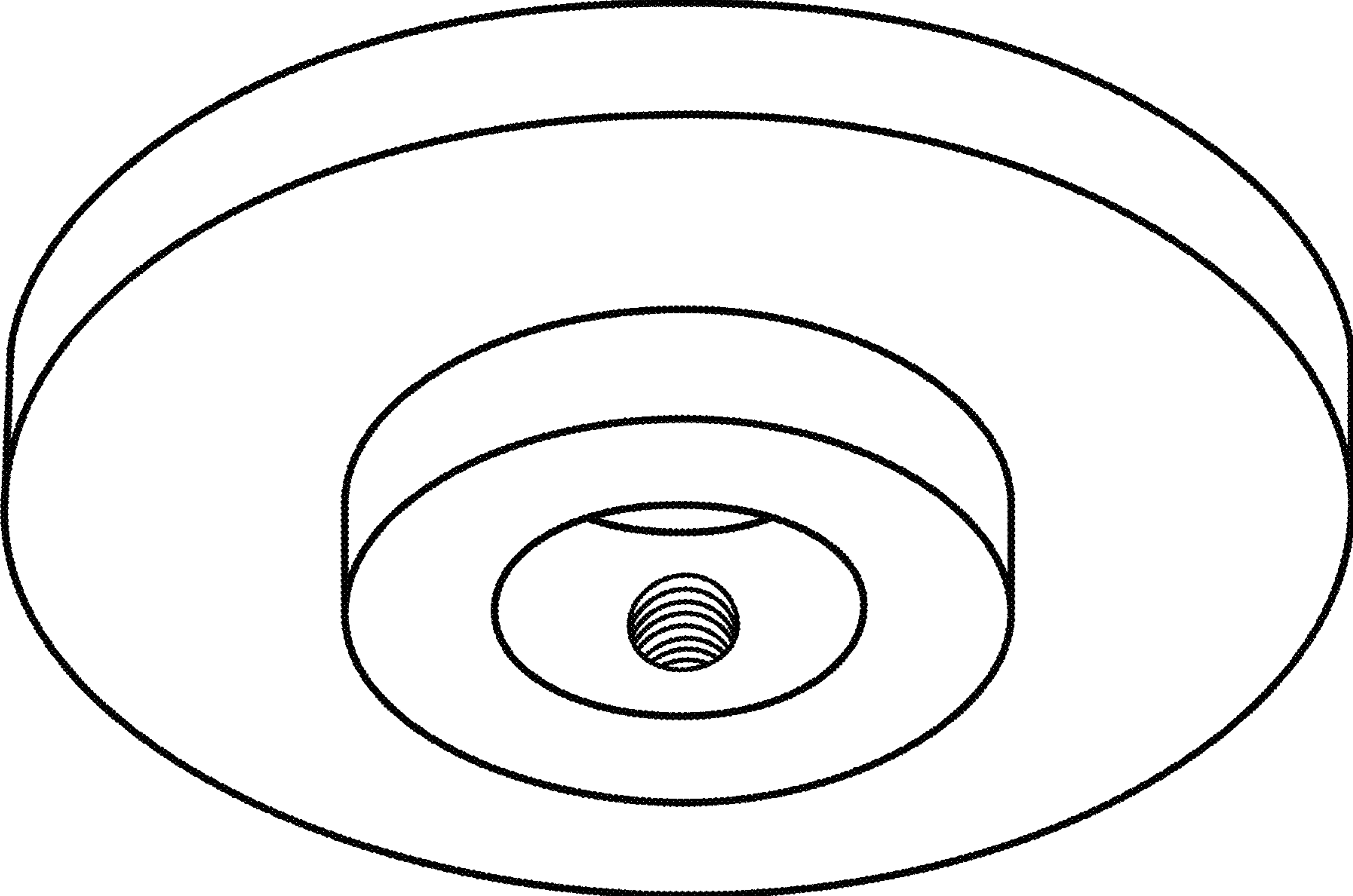


Figure 3

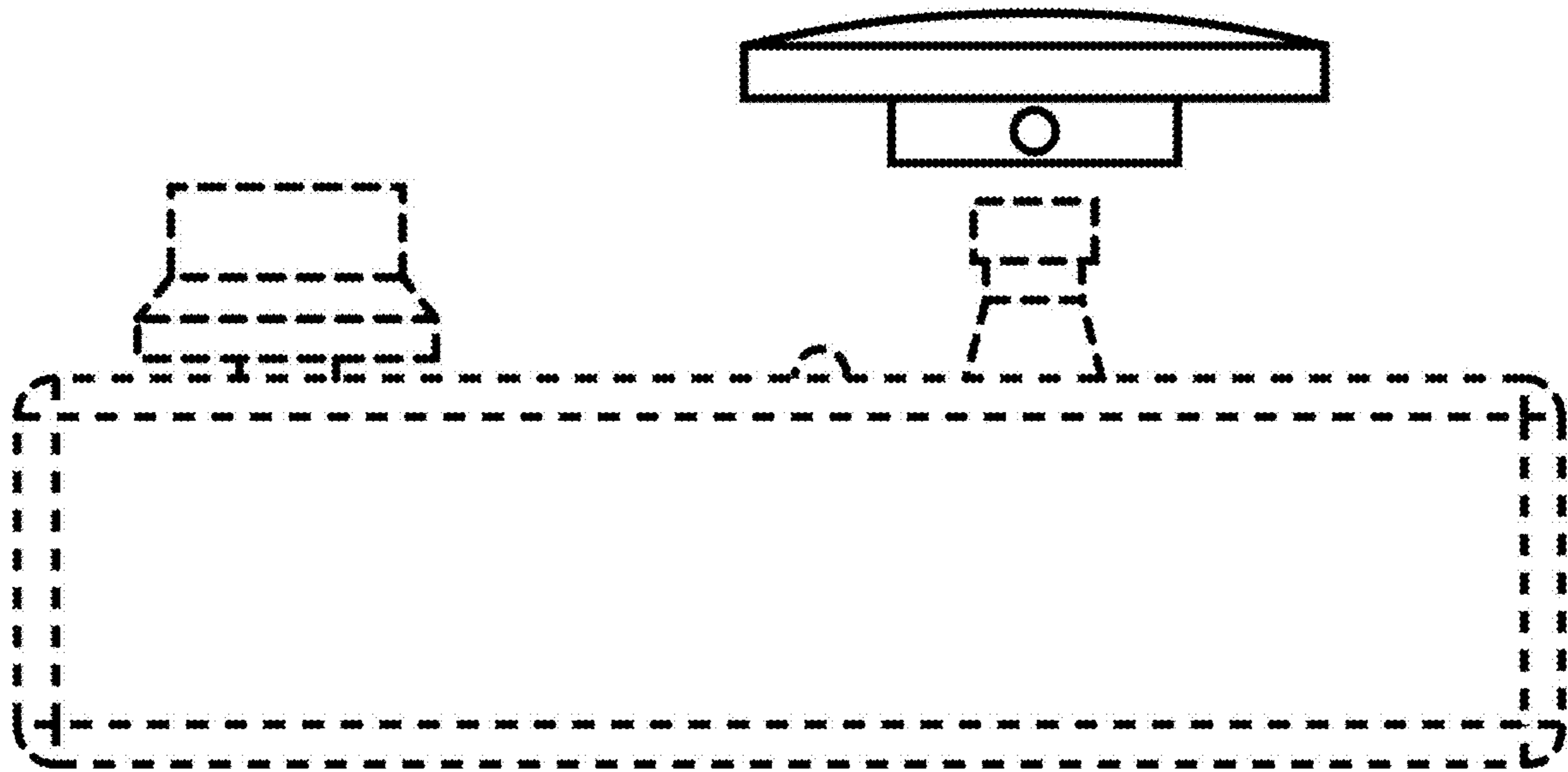


Figure 4

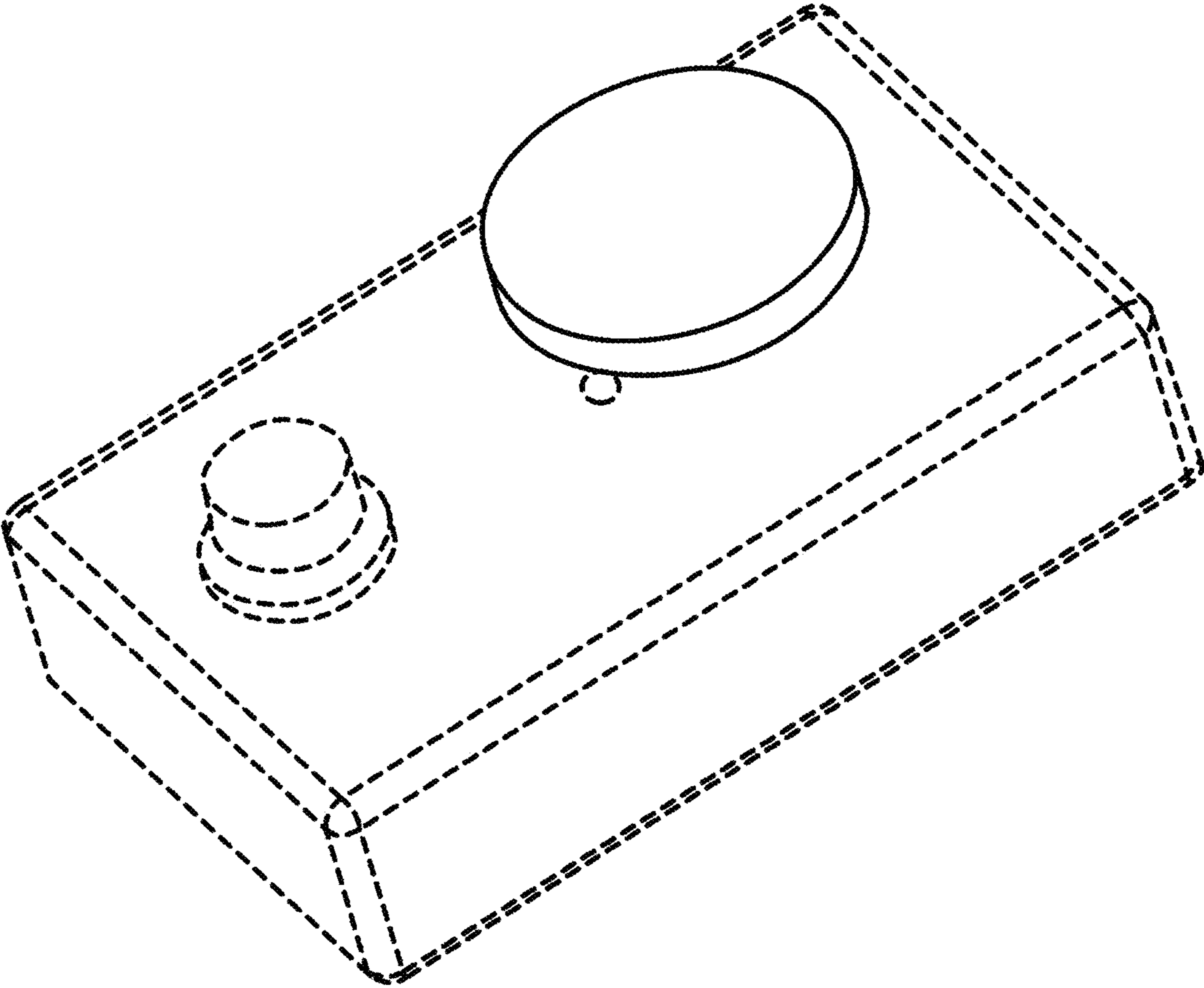


Figure 5