



US00D892205S

(12) **United States Design Patent** (10) **Patent No.:** **US D892,205 S**
Gordon et al. (45) **Date of Patent:** **** Aug. 4, 2020**

(54) **EYEWEAR BROW BAR**
(71) Applicant: **REyewear Acquisition, Inc.**, New York, NY (US)
(72) Inventors: **David Gordon**, Essex Junction, VT (US); **Pierre-Luc Lussier**, Longueuil (CA)

D865,854 S * 11/2019 Sheldon D16/314
D870,803 S * 12/2019 Lussier D16/330
2009/0151057 A1* 6/2009 Lebel A61F 9/027
2/452
2014/0059747 A1* 3/2014 Belbey A61F 9/028
2/431

(Continued)

FOREIGN PATENT DOCUMENTS

(73) Assignee: **REyewear Acquisition, Inc.**, New York, NY (US)

EM 004504678-0001 12/2017
EM 004504678-0006 12/2017

(**) Term: **15 Years**

OTHER PUBLICATIONS

(21) Appl. No.: **29/677,369**

U.S. Appl. No. 29/607,732, filed Jun. 15, 2017, Lussier.
U.S. Appl. No. 29/677,365, filed Jan. 18, 2019, Gordon et al.

(22) Filed: **Jan. 18, 2019**

(51) **LOC (12) Cl.** **16-06**

(52) **U.S. Cl.**
USPC **D16/330**

(58) **Field of Classification Search**
USPC D16/100, 101, 300-329, 330, 332-342;
D29/106, 107, 110
CPC ... G02C 5/00; G02C 5/02; G02C 5/10; G02C
5/14; G02C 5/16
See application file for complete search history.

Primary Examiner — Cathron C Brooks
Assistant Examiner — Sharon S Oum
(74) *Attorney, Agent, or Firm* — Wolf, Greenfield & Sacks, P.C.

(57) **CLAIM**

The ornamental design for an eyewear brow bar, as shown and described.

DESCRIPTION

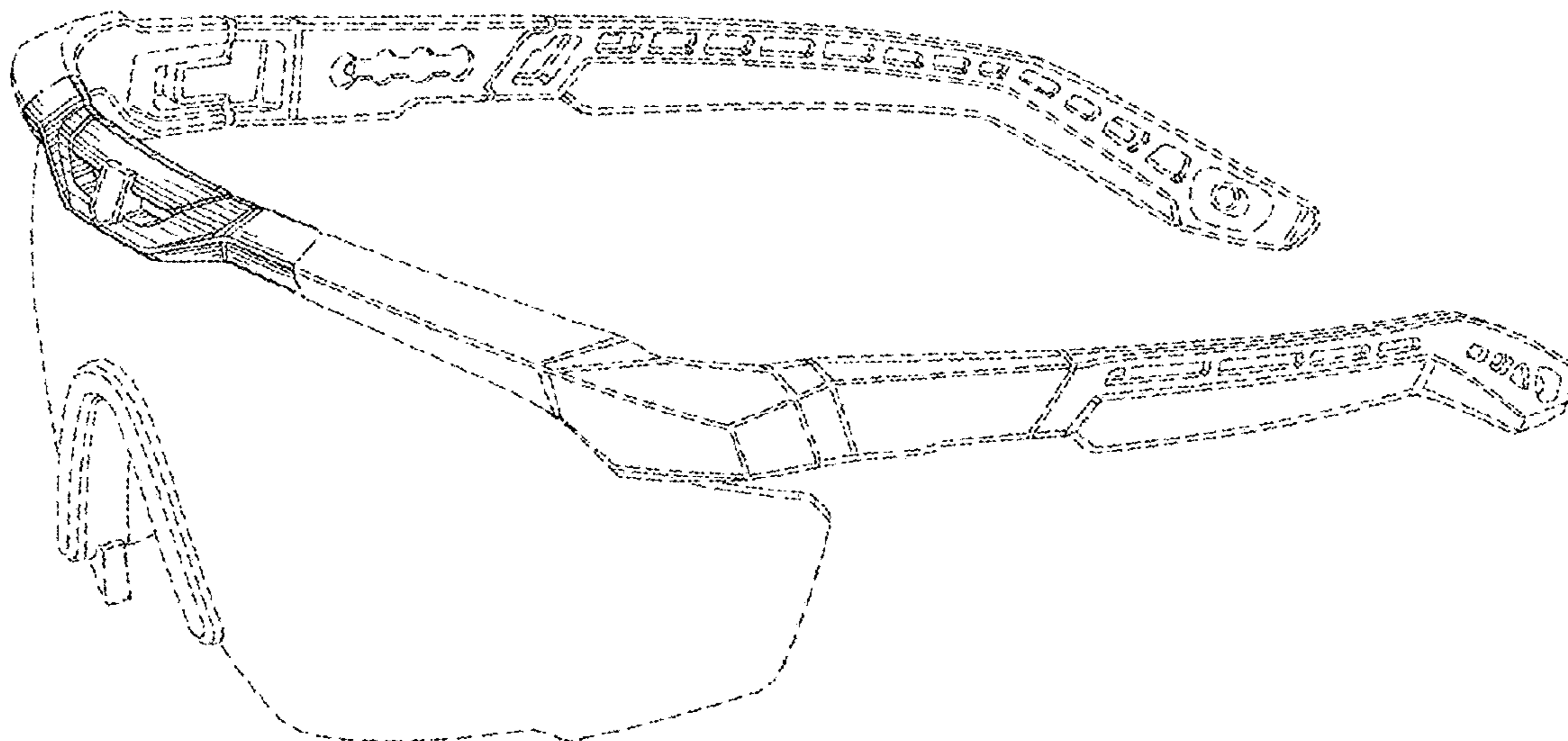
(56) **References Cited**

U.S. PATENT DOCUMENTS

D598,040 S 8/2009 Sheldon et al.
D620,969 S 8/2010 Cyr
D636,807 S 4/2011 Lebel
D637,643 S 5/2011 Lebel
D652,860 S * 1/2012 Carlow D16/306
D694,805 S * 12/2013 Cheng D16/309
D735,795 S 8/2015 McGinn et al.
D794,701 S 8/2017 Lussier et al.
D795,332 S * 8/2017 Lussier D16/330
D827,016 S 8/2018 Lin et al.
D828,867 S 9/2018 Chen
D835,178 S 12/2018 Miera
D837,873 S * 1/2019 Lussier D16/330
D854,609 S 7/2019 Lussier et al.

FIG. 1 is a top, front, right side perspective view of an eyewear brow bar;
FIG. 2 is a front elevation view thereof;
FIG. 3 is a rear elevation view thereof;
FIG. 4 is a left side elevation view thereof;
FIG. 5 is a right side elevation view thereof;
FIG. 6 is a top plan view thereof; and,
FIG. 7 is a bottom plan view thereof.
The dot-dash broken lines in the figures represent boundaries of the claimed design and form no part of the claimed design. The dash-dash broken lines represent portions of the eyewear brow bar and environment that form no part of the claimed design.

1 Claim, 5 Drawing Sheets



(56)

References Cited

U.S. PATENT DOCUMENTS

2017/0100287 A1* 4/2017 Calilung G02C 11/08
2018/0329226 A1* 11/2018 Lussier G02C 5/02

* cited by examiner

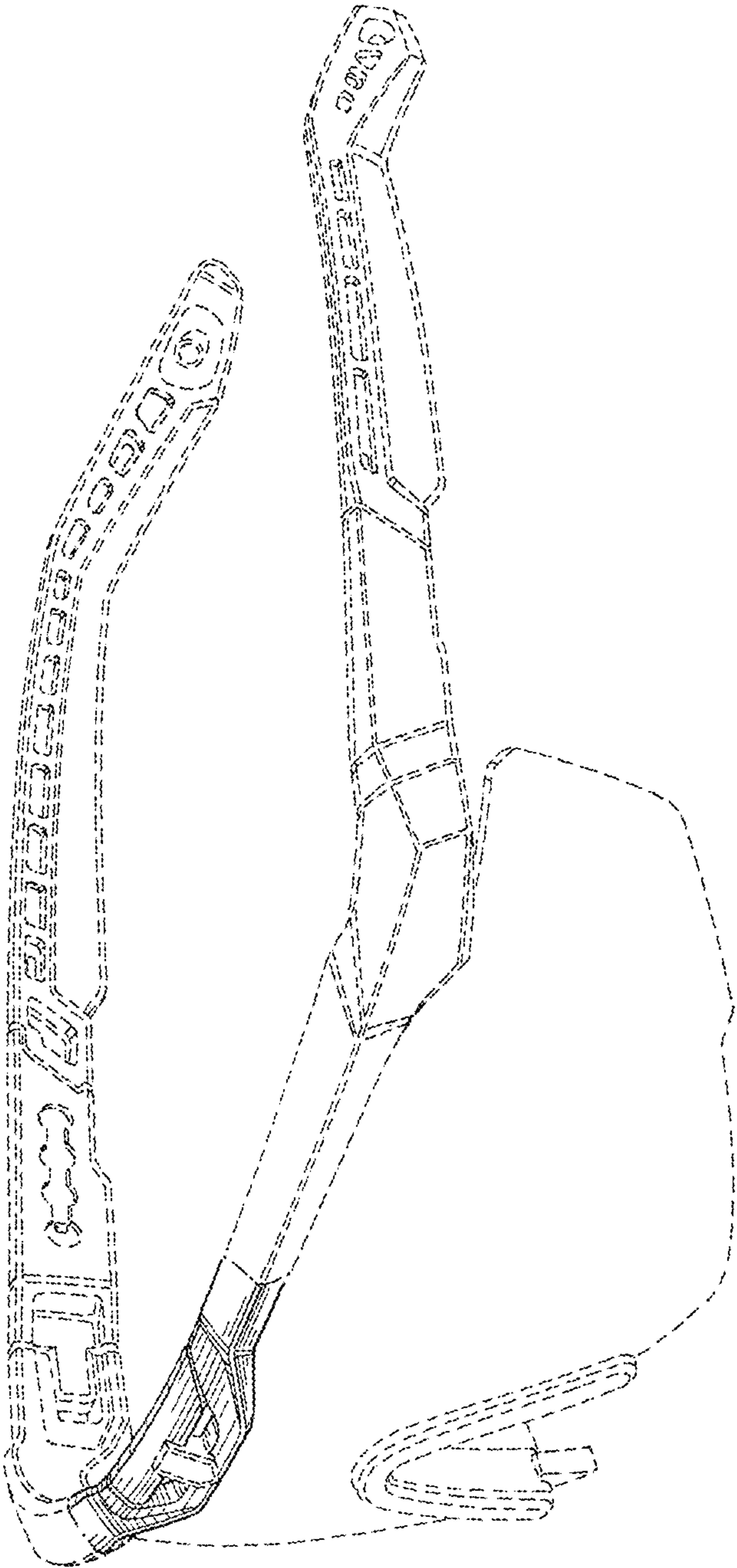


Fig. 1

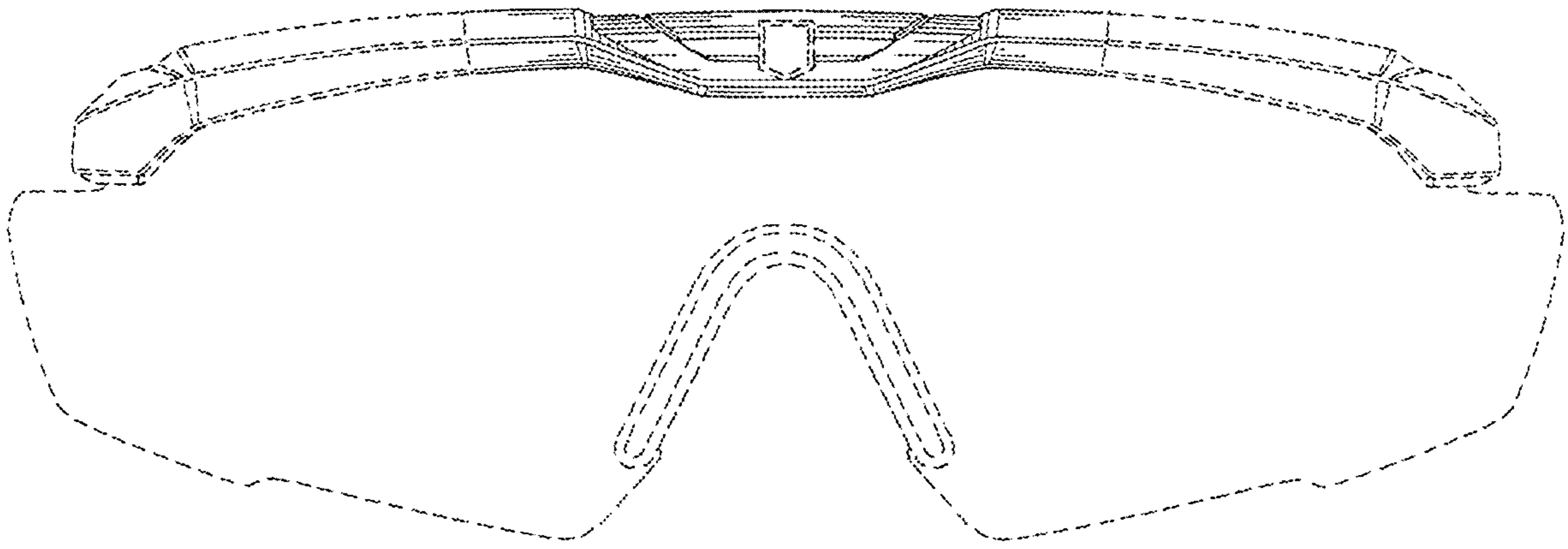


Fig. 2

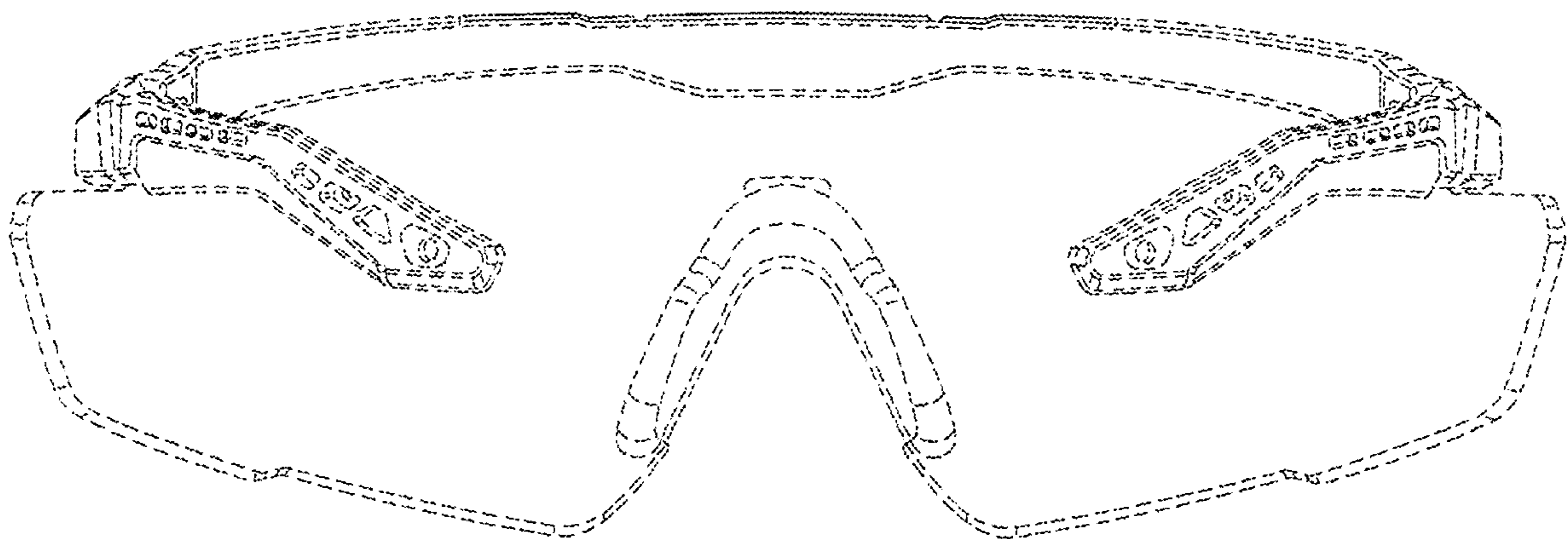


Fig. 3

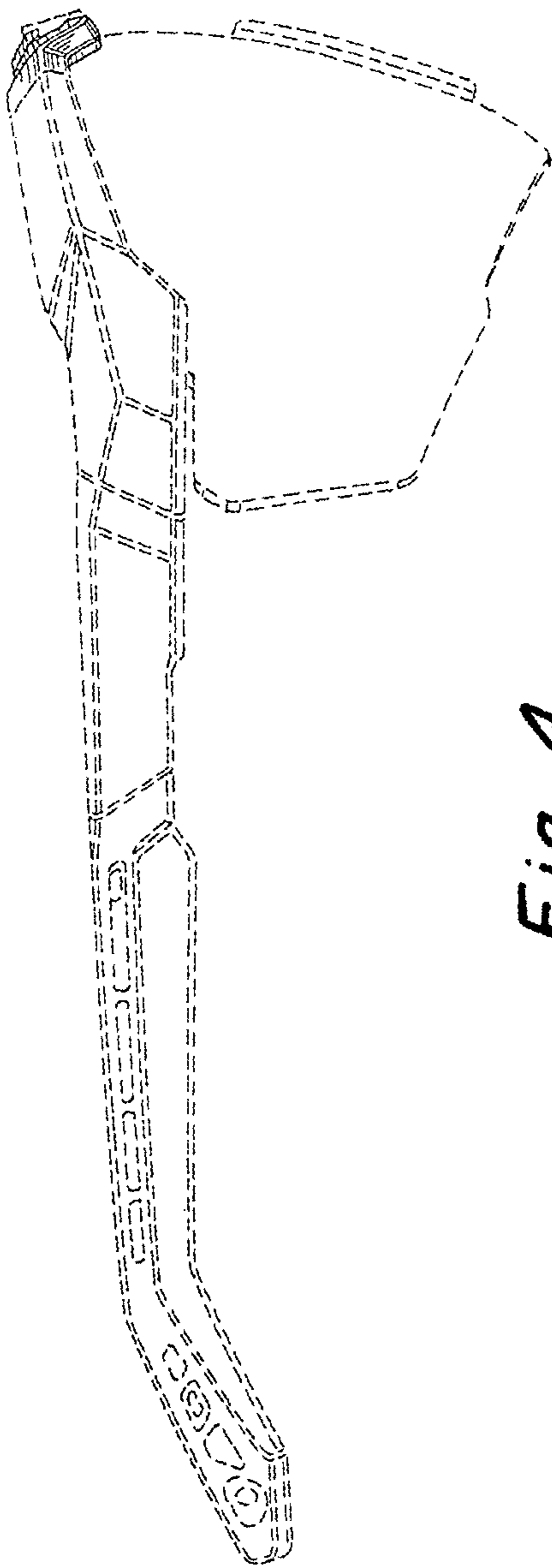


Fig. 4

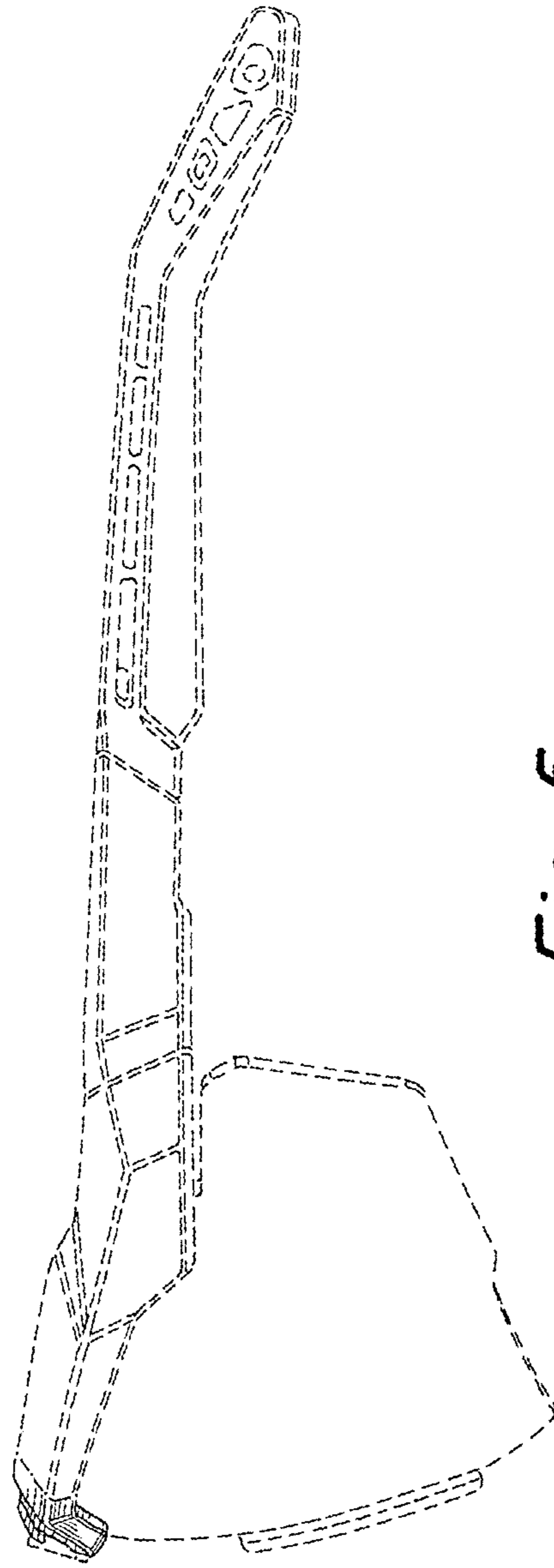


Fig. 5

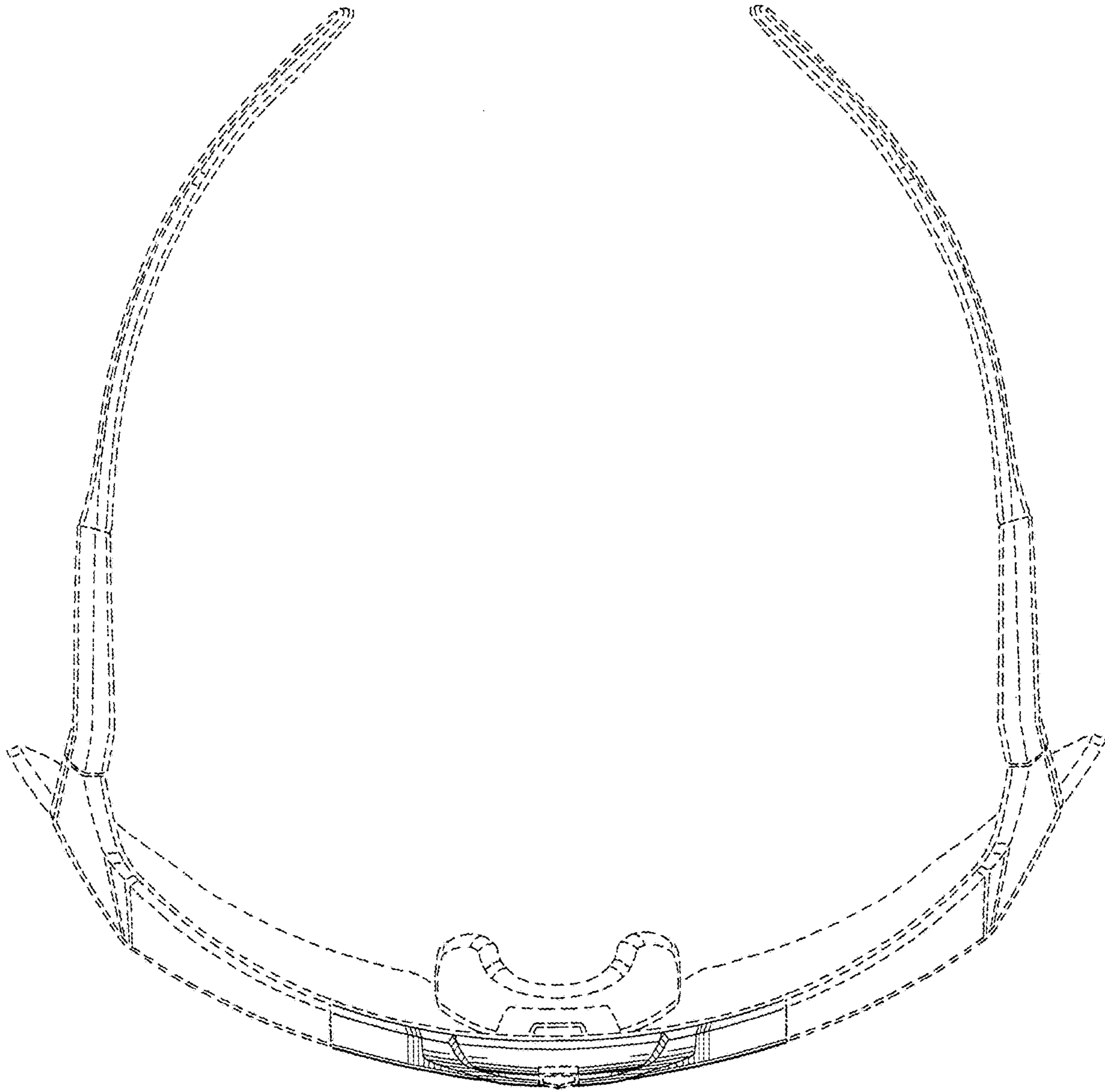


Fig. 6

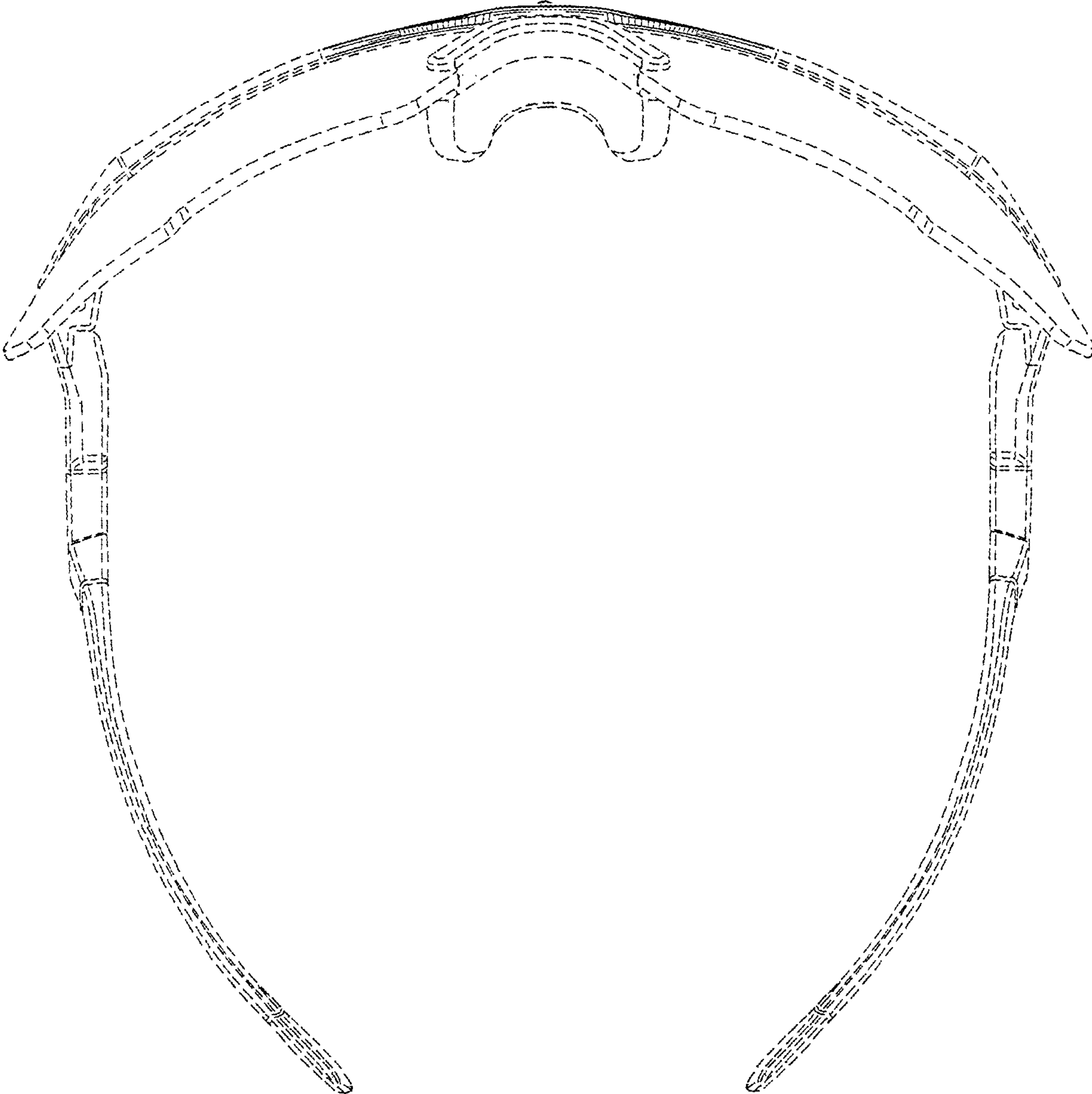


Fig. 7