



US00D892199S

(12) **United States Design Patent**  
**Peng**

(10) **Patent No.:** **US D892,199 S**

(45) **Date of Patent:** **\*\* Aug. 4, 2020**

(54) **LED PHOTO SUPPLEMENT LAMP**

D866,835 S \* 11/2019 Amin ..... D26/63  
D880,048 S \* 3/2020 Zhu ..... D26/106  
D886,347 S \* 6/2020 Theodon ..... D26/63

(71) Applicant: **DONGGUAN BIAOSHENG  
PLASTIC ELECTRONICS CO.,  
LTD.**, Dongguan (CN)

**OTHER PUBLICATIONS**

(72) Inventor: **Wenxiu Peng**, Dongguan (CN)

“Elviray Lightweight LED Selfie Ring Light Supplement Brightness Photo Light Clip-on Makeup Beauty Video Lamp for Mobile Phones”, Retrieved Mar. 23, 2020. Retrieved from Internet, <https://www.amazon.co.uk/Elviray-Lightweight-Selfie-Supplement-Brightness/dp/B07XZ28Z9Z/>.

(73) Assignee: **DONGGUAN BIAOSHENG  
PLASTIC ELECTRONICS CO.,  
LTD.**, Dongguan (CN)

\* cited by examiner

(\*\*) Term: **15 Years**

*Primary Examiner* — Vy N Koenig

(21) Appl. No.: **29/728,886**

(57) **CLAIM**

(22) Filed: **Mar. 23, 2020**

The ornamental design for an LED photo supplement lamp, as shown and described.

(51) **LOC (12) Cl.** ..... **16-05**

**DESCRIPTION**

(52) **U.S. Cl.**  
USPC ..... **D16/237; D16/239; D26/44**

(58) **Field of Classification Search**  
USPC ..... D16/237, 239, 240, 219; D26/44, 60–64  
See application file for complete search history.

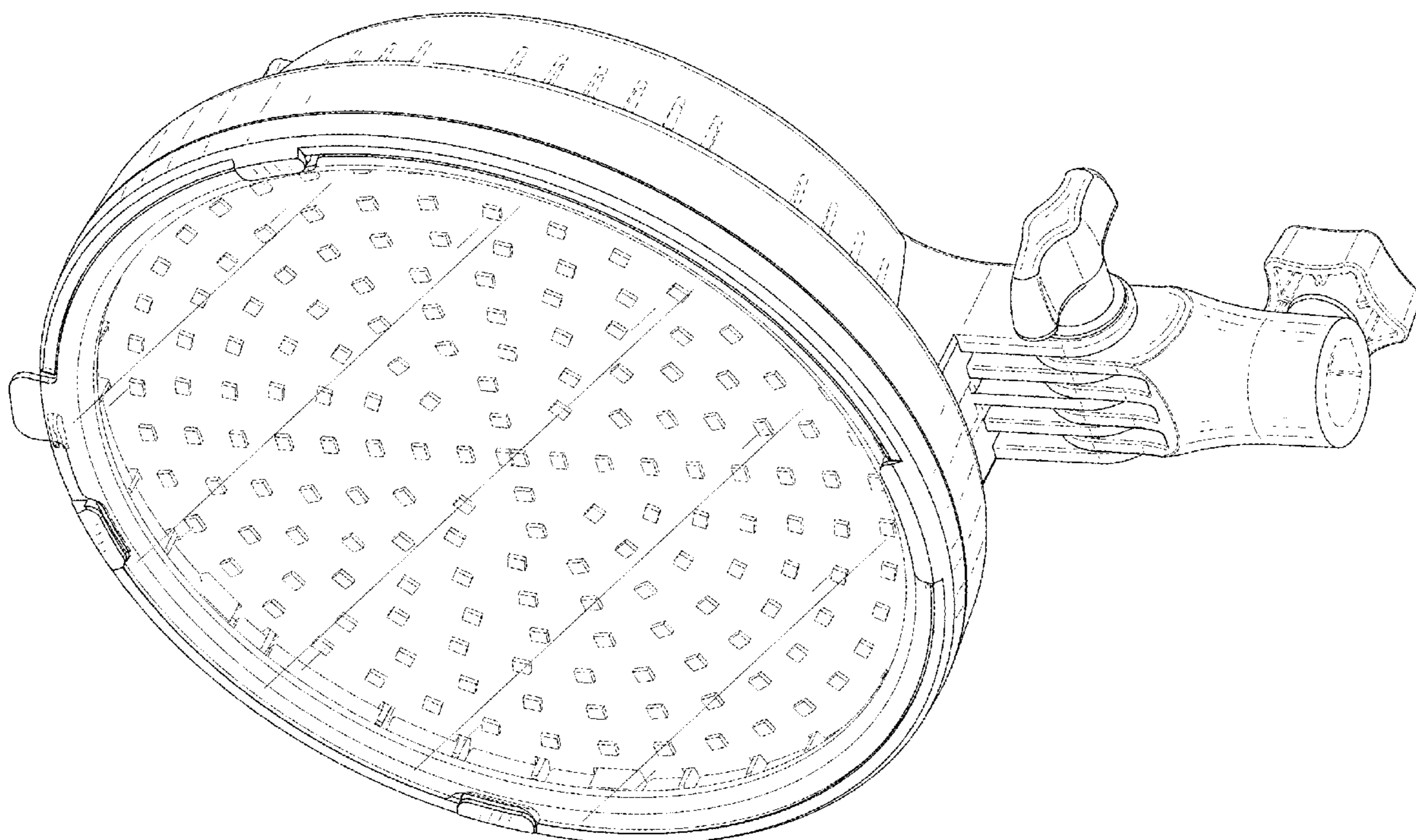
(56) **References Cited**

**U.S. PATENT DOCUMENTS**

D576,251 S \* 9/2008 Schonherr ..... D23/213  
D589,636 S \* 3/2009 Pinette ..... D26/63  
D702,279 S \* 4/2014 Zhan ..... D16/239  
D747,524 S \* 1/2016 Jacq ..... D26/63  
D776,186 S 1/2017 Gammons  
D788,205 S \* 5/2017 Jankura ..... D16/237  
D802,197 S \* 11/2017 Ding ..... D26/72  
D838,889 S \* 1/2019 Liu ..... D26/63  
D856,562 S \* 8/2019 Shi ..... D26/63

FIG. 1 is a perspective view of an LED photo supplement lamp showing my new design;  
FIG. 2 is another perspective view thereof;  
FIG. 3 is a front elevational view thereof;  
FIG. 4 is a rear elevational view thereof;  
FIG. 5 is a left side elevational view thereof;  
FIG. 6 is a right side elevational view thereof;  
FIG. 7 is a top plan view thereof;  
FIG. 8 is a bottom plan view thereof; and,  
FIG. 9 is an exploded perspective view of the mirror.  
The broken lines in the drawings depict boundaries and features of the LED photo supplement lamp that form no part of the claimed design.

**1 Claim, 9 Drawing Sheets**



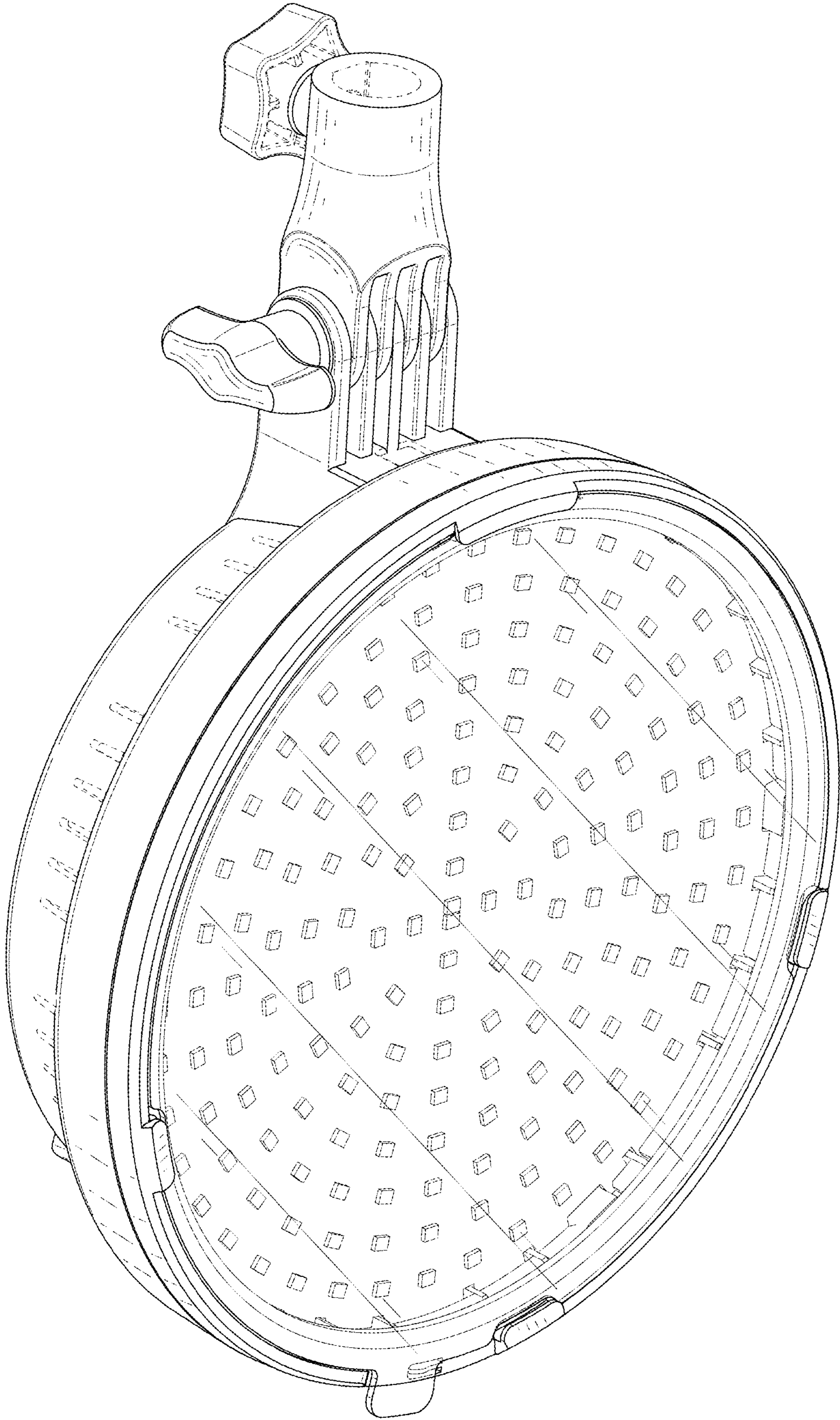


FIG. 1

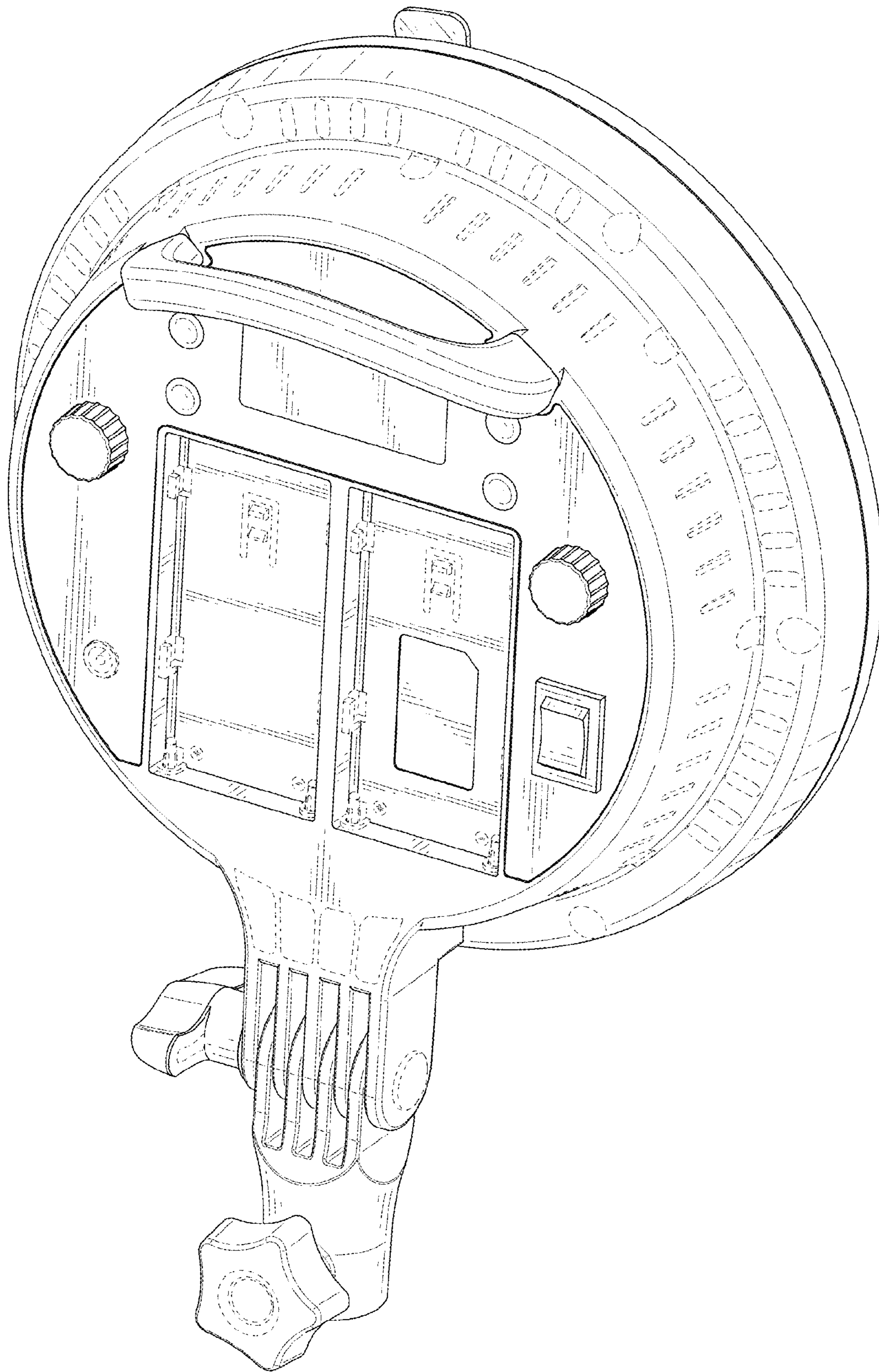


FIG. 2

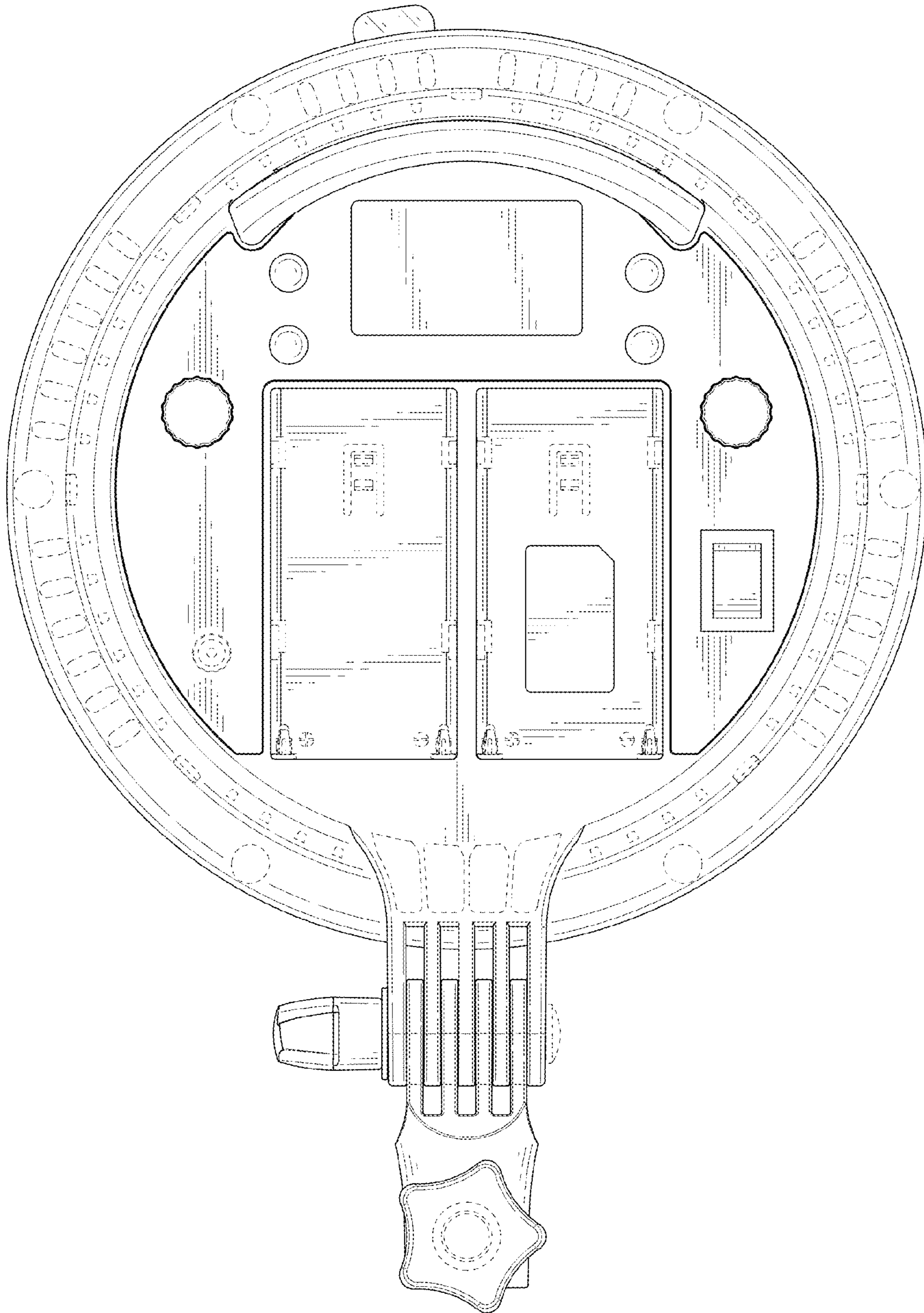


FIG. 3

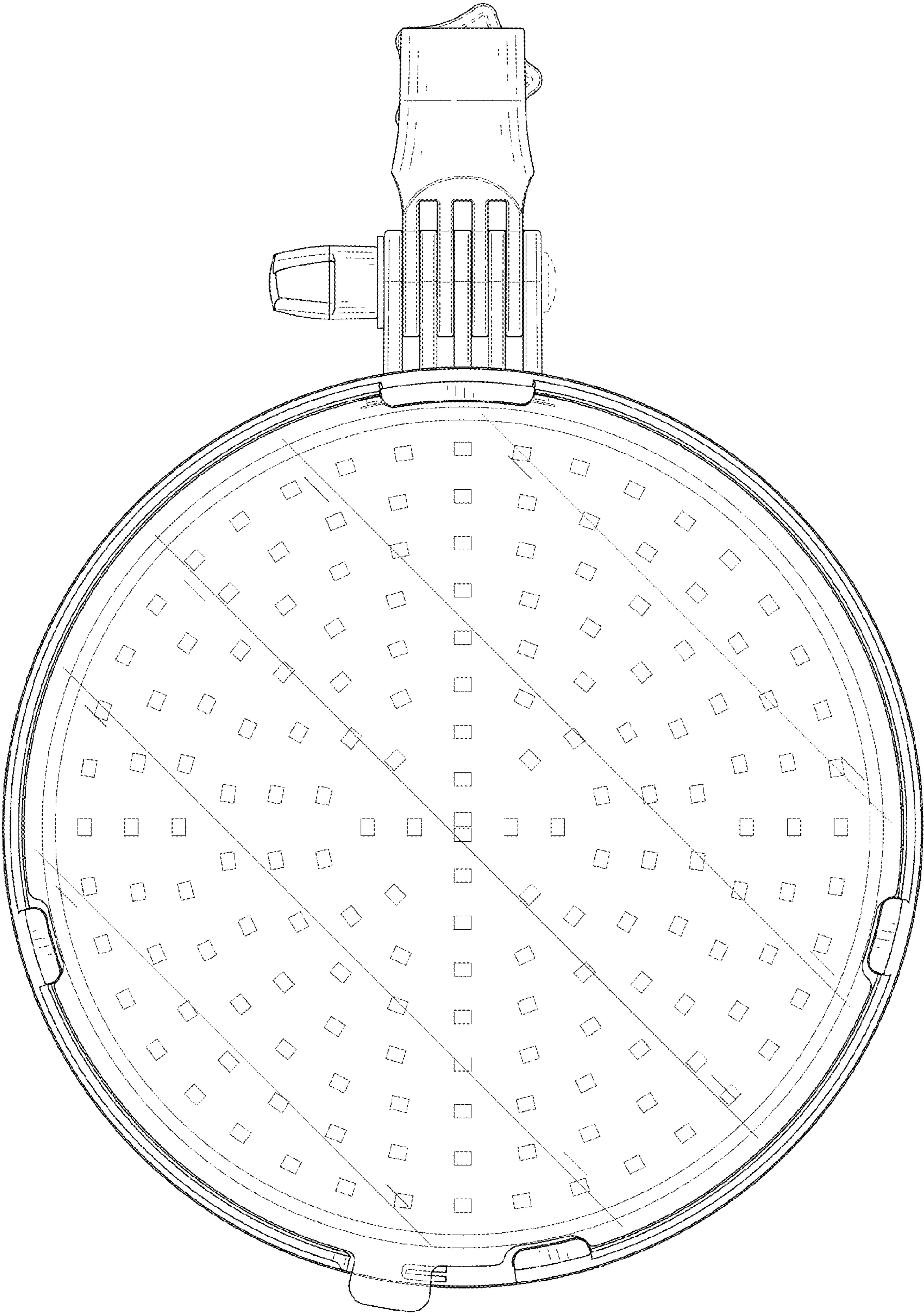


FIG. 4

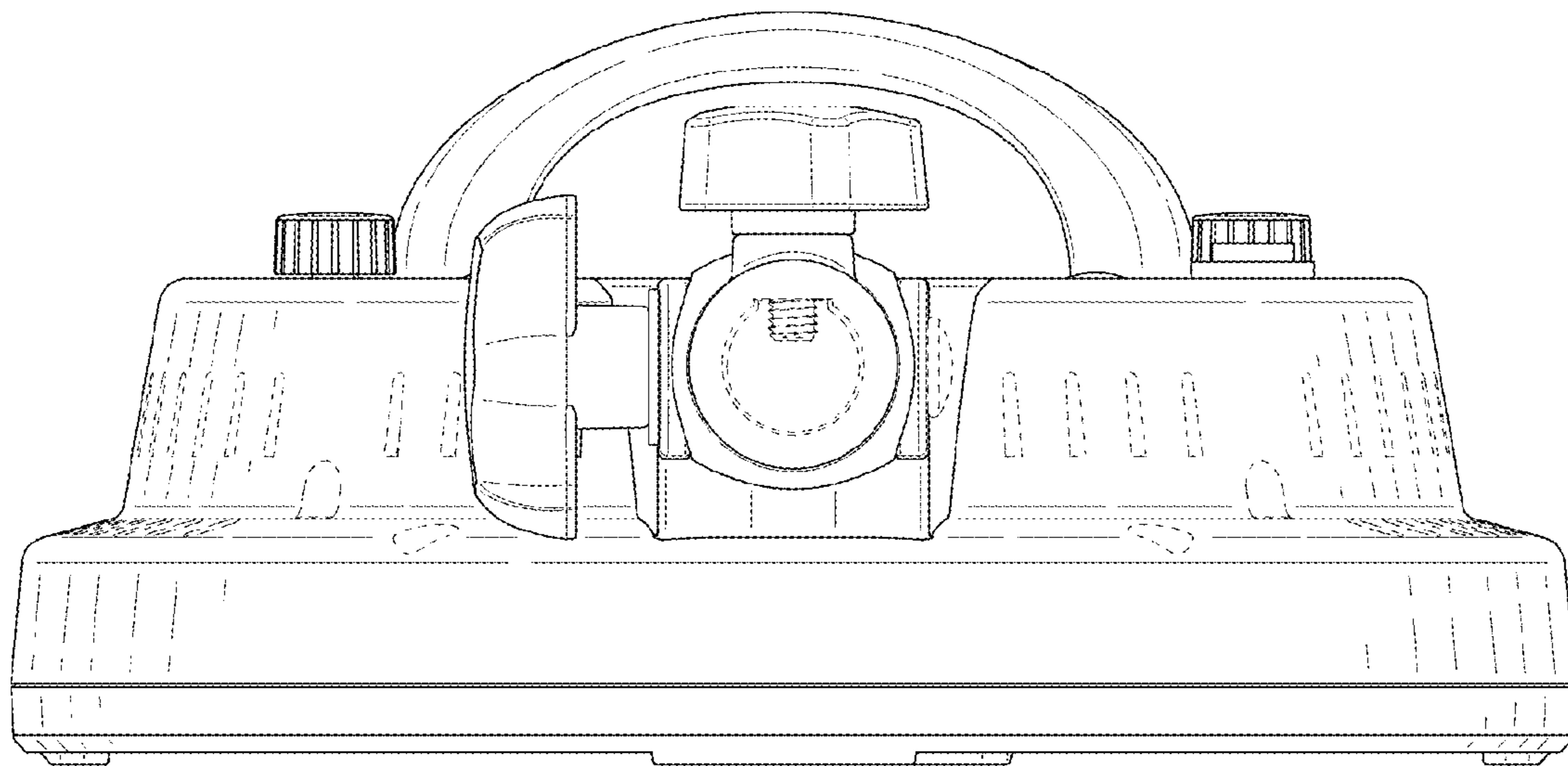


FIG. 5

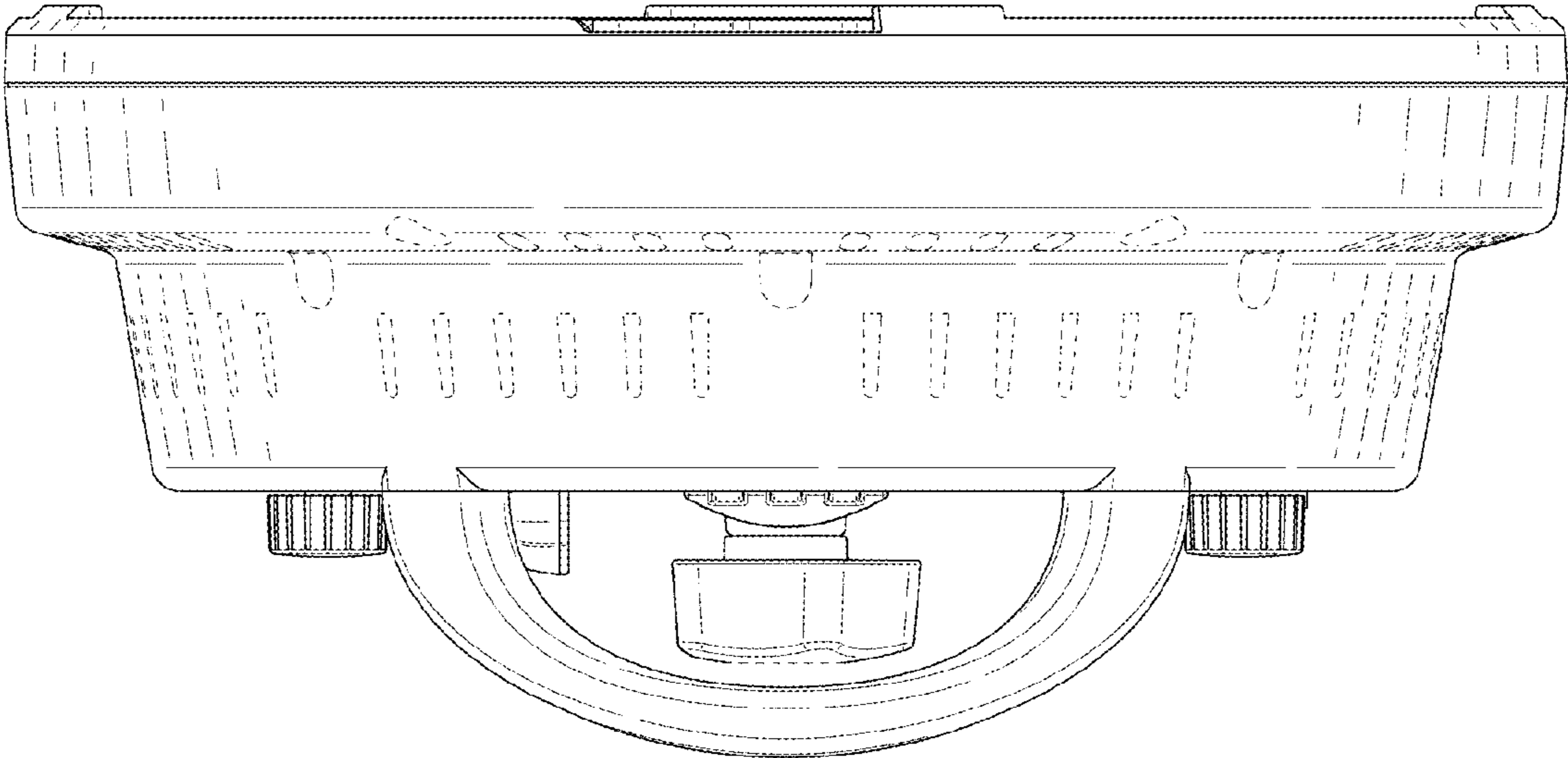


FIG. 6

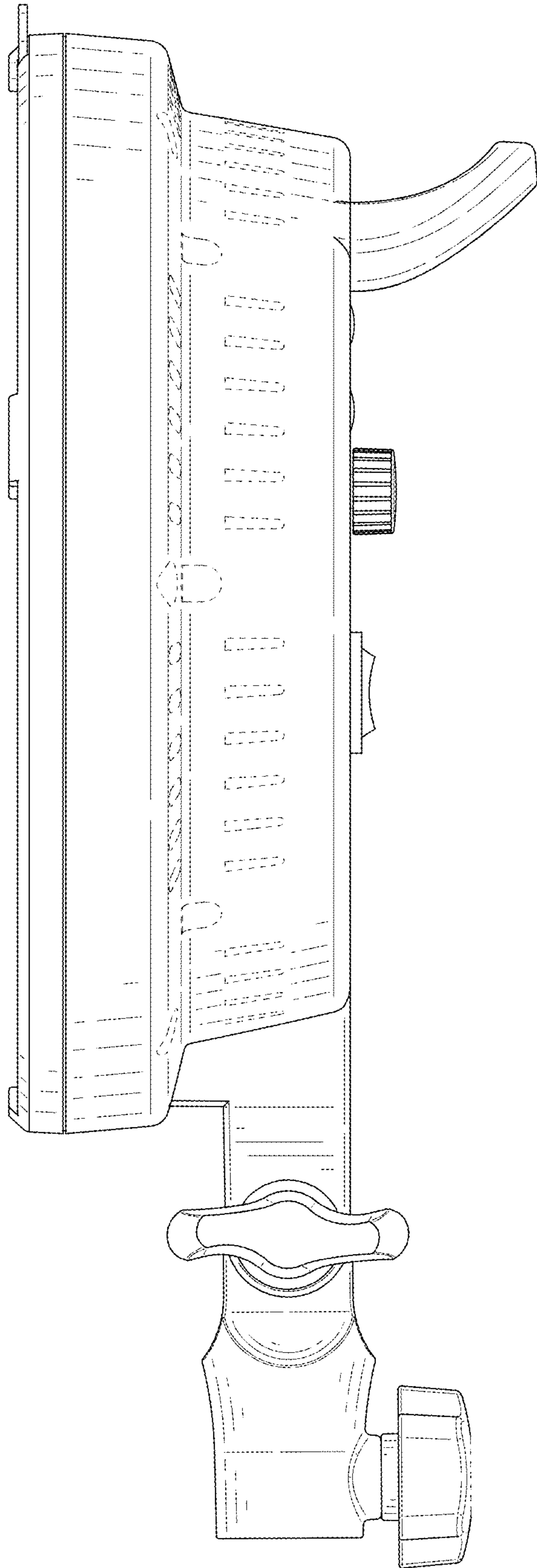


FIG. 7



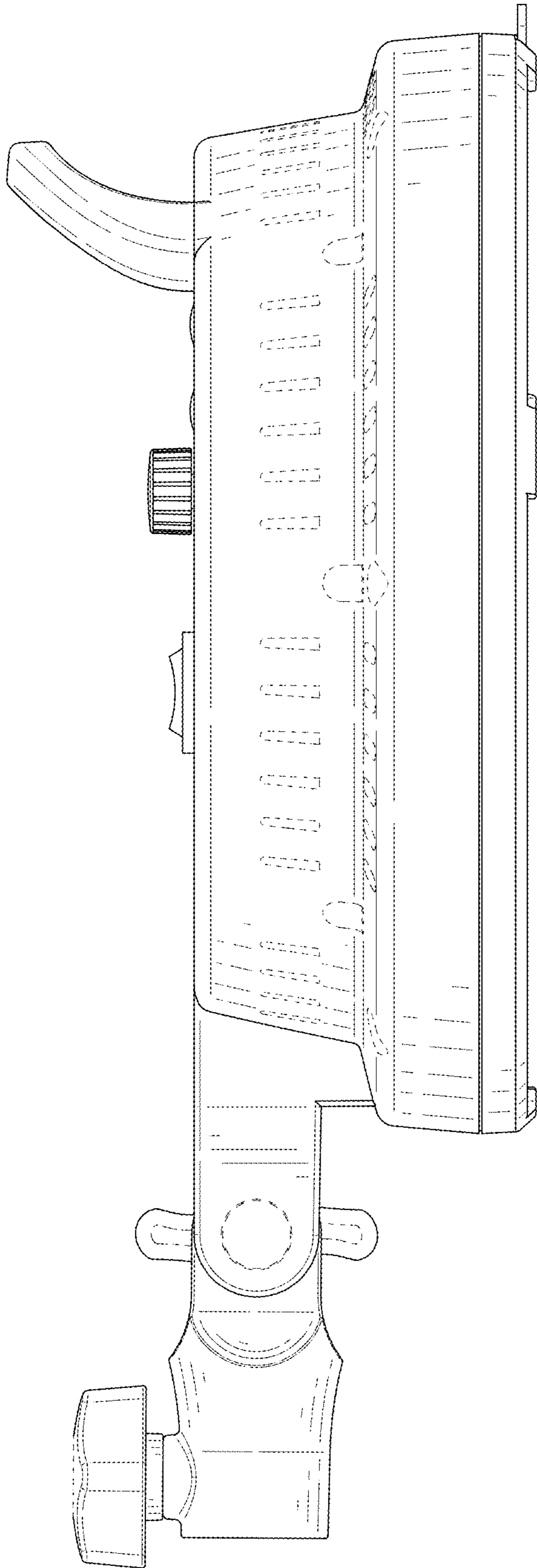


FIG. 8

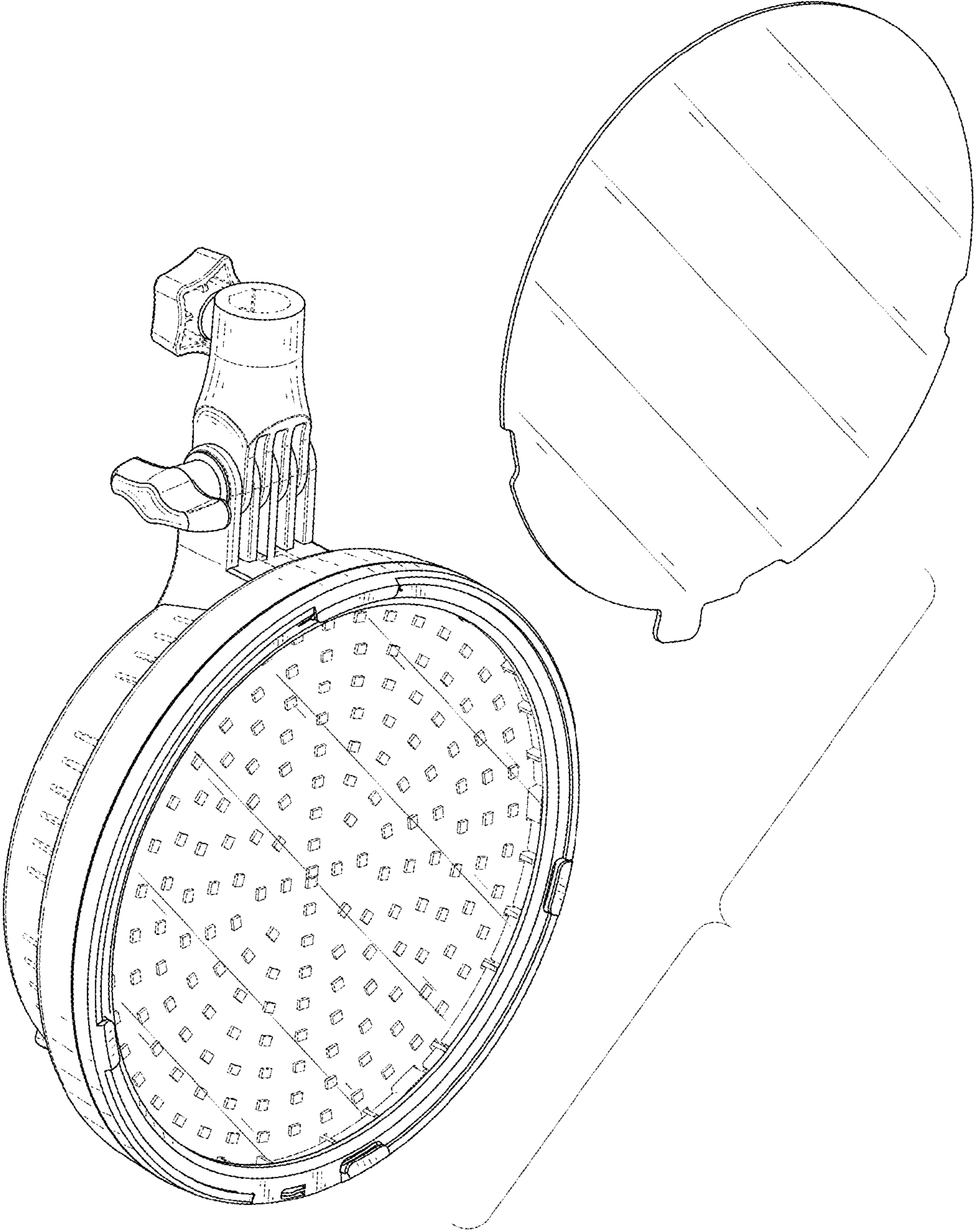


FIG. 9