



US00D892197S

(12) **United States Design Patent** (10) **Patent No.:** **US D892,197 S**
Ochi (45) **Date of Patent:** **** Aug. 4, 2020**

(54) **MONITOR**
(71) Applicant: **BLD Oriental Co., Ltd.**, Izumisano, Osaka (JP)
(72) Inventor: **Yasushi Ochi**, Osaka (JP)
(73) Assignee: **BLD ORIENTAL CO., LTD.**, Osaka (JP)

5,351,772 A 10/1994 Smith
D362,442 S 9/1995 Goldfarb
5,485,521 A 1/1996 Yagisawa et al.
D449,630 S 10/2001 Rak et al.
D497,927 S 11/2004 Arbuckle et al.
7,149,152 B1* 12/2006 Chan G03B 29/00 368/79
D564,557 S 3/2008 Yamamoto et al.
(Continued)

(**) Term: **15 Years**
(21) Appl. No.: **29/634,541**
(22) Filed: **Jan. 23, 2018**

FOREIGN PATENT DOCUMENTS

CN 304893263 S 11/2018
CN 304952062 S 12/2018
(Continued)

(30) **Foreign Application Priority Data**

Jul. 24, 2017 (JP) 2017-015876

(51) **LOC (12) Cl.** **16-02**
(52) **U.S. Cl.**
USPC **D16/228**; D14/371
(58) **Field of Classification Search**
USPC D16/221, 225, 228, 230-235, 130, 134, D16/203, 210; D14/371, 128-129, 195, D14/216, 336, 126; 353/94, 110, 99, 353/119, 122
CPC G03B 21/003; G03B 21/12; G03B 21/006; G03B 21/04; G03B 21/10; G03B 21/14; G03B 21/145; G03B 29/00
See application file for complete search history.

OTHER PUBLICATIONS

Office Action dated Nov. 28, 2017 from Japanese application No. JP2017-015862, filed Jul. 24, 2017.
(Continued)

Primary Examiner — Wan Laymon
(74) *Attorney, Agent, or Firm* — Stevens & Showalter LLP

(57) **CLAIM**

The ornamental design for a monitor, as shown and described.

DESCRIPTION

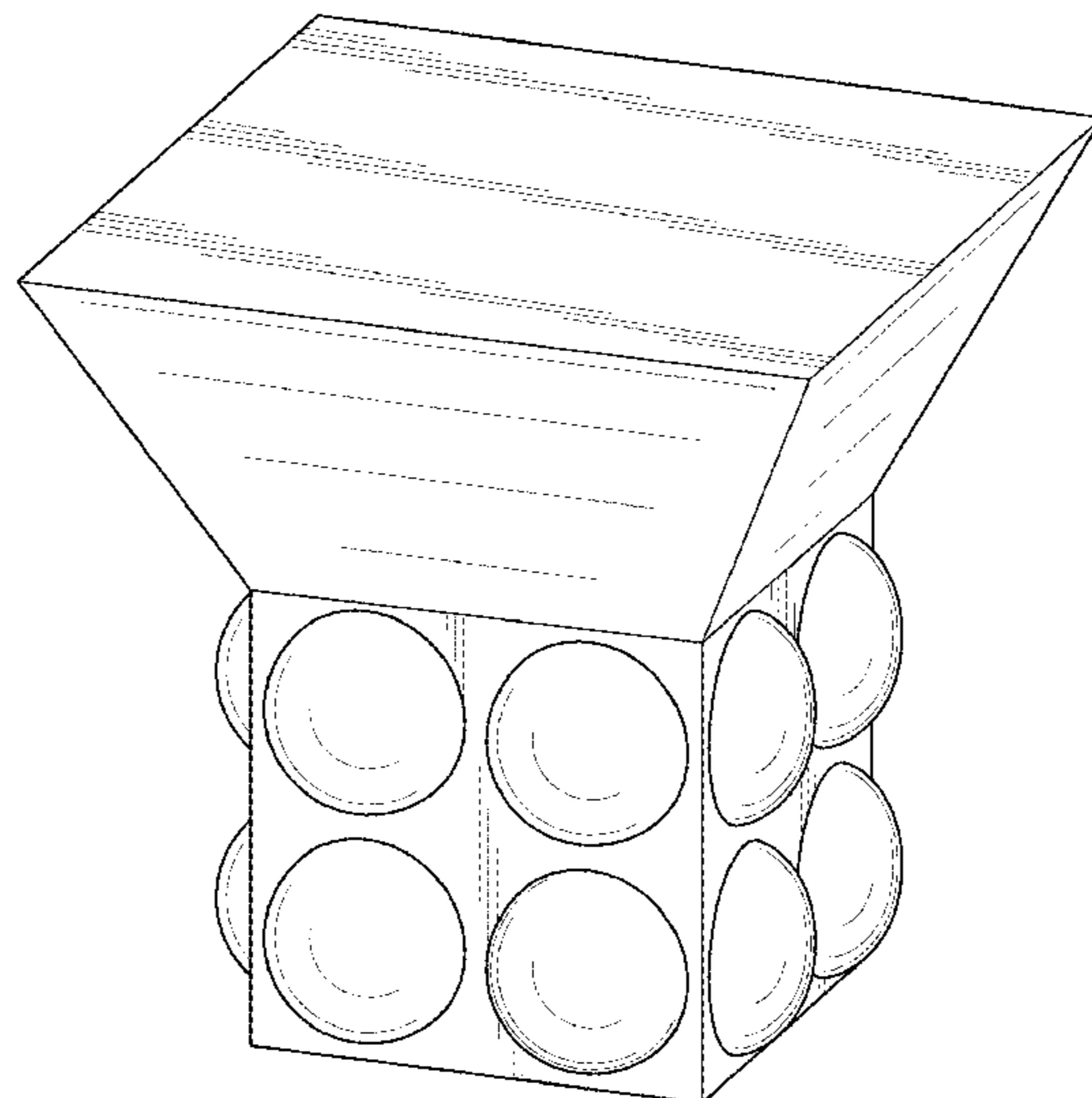
FIG. 1 is a front view of a monitor in accordance with the present invention;
FIG. 2 is a rear view thereof;
FIG. 3 is a left side view thereof;
FIG. 4 is a right side view thereof;
FIG. 5 is a top view thereof;
FIG. 6 is a bottom view thereof; and,
FIG. 7 is a perspective view, taken from the upper front and right sides thereof.

(56) **References Cited**

U.S. PATENT DOCUMENTS

3,370,505 A * 2/1968 Bryan G03B 37/00 D16/228
D234,631 S * 3/1975 Ljung et al. D16/228
D234,632 S * 3/1975 Ljung et al. D16/228
D234,716 S * 4/1975 Ljung et al. D16/228
D234,717 S * 4/1975 Ljung et al. D16/228
D234,819 S * 4/1975 Ljung et al. D16/228
4,303,946 A * 12/1981 Berry H04N 5/64 D16/228

1 Claim, 4 Drawing Sheets



(56)

References Cited

OTHER PUBLICATIONS

U.S. PATENT DOCUMENTS

D615,114	S	5/2010	Arnold et al.	
D617,314	S	6/2010	Zha	
D625,039	S	10/2010	Citterio	
D628,225	S	11/2010	Deurwaarder	
D630,666	S *	1/2011	Matsumoto	D16/235
D659,736	S *	5/2012	Cheng	D16/225
D711,379	S	8/2014	Yagi	
D742,447	S	11/2015	Stark et al.	
D766,877	S	9/2016	Haase	
D771,142	S	11/2016	Langhammer et al.	
D815,149	S	4/2018	Langhammer et al.	
D815,174	S	4/2018	Holbrook et al.	
D816,756	S *	5/2018	Chang	D16/210
D819,596	S	6/2018	Sun	
D820,318	S	6/2018	Mullins et al.	
D825,529	S	8/2018	Huang	
D829,259	S	9/2018	Persson et al.	
D829,262	S	9/2018	Huerta	
D829,684	S	10/2018	Hardi	
D839,338	S	1/2019	Persson et al.	
D858,729	S	9/2019	Scott	
D870,700	S	12/2019	Lee et al.	
2017/0104908	A1 *	4/2017	Mukai	G03B 17/12

FOREIGN PATENT DOCUMENTS

CN	304952063	S	12/2018
CN	304952065	S	12/2018
JP	D1595870		1/2018
JP	D1595871	S	1/2018
KR	3009943820001		2/2019
KR	3009943820002		2/2019
KR	3009943820003		2/2019

Office Action dated Nov. 27, 2017 from Japanese application No. JP2017-015863, filed Jul. 24, 2017.

Office Action dated Nov. 28, 2017 from Japanese application No. JP2017-015867, filed Jul. 24, 2017.

Office Action dated Nov. 27, 2017 from Japanese application No. JP2017-015869, filed Jul. 24, 2017.

Office Action dated Nov. 28, 2017 from Japanese application No. JP2017-015876, filed Jul. 24, 2017.

Office Action dated Nov. 27, 2017 from Japanese application No. JP2017-015879, filed Jul. 24, 2017.

Office Action dated Nov. 27, 2017 from Japanese application No. JP2017-015880, filed Jul. 24, 2017.

Office Action dated Nov. 27, 2017 from Japanese application No. JP2017-015881, filed Jul. 24, 2017.

Office Action dated Nov. 27, 2017 from Japanese application No. JP2017-016008, filed Jul. 24, 2017.

Japanese patent application No. JP2017-015859, filed Jul. 24, 2017.

Japanese patent application No. JP2017-015860, filed Jul. 24, 2017.

Japanese patent application No. JP2017-015862, filed Jul. 24, 2017.

Japanese patent application No. JP2017-015863, filed Jul. 24, 2017.

Japanese patent application No. JP2017-015867, filed Jul. 24, 2017.

Japanese patent application No. JP2017-015869, filed Jul. 24, 2017.

Japanese patent application No. JP2017-015876, filed Jul. 24, 2017.

Japanese patent application No. JP2017-015879, filed Jul. 24, 2017.

Japanese patent application No. JP2017-015880, filed Jul. 24, 2017.

Japanese patent application No. JP2017-027572, filed Dec. 9, 2017.

Related U.S. Appl. No. 29/634,568; "Monitor"; filed Jan. 23, 2018; by Yasushi Ochi.

Related U.S. Appl. No. 29/634,578; "Monitor"; filed Jan. 23, 2018; by Yasushi Ochi.

* cited by examiner

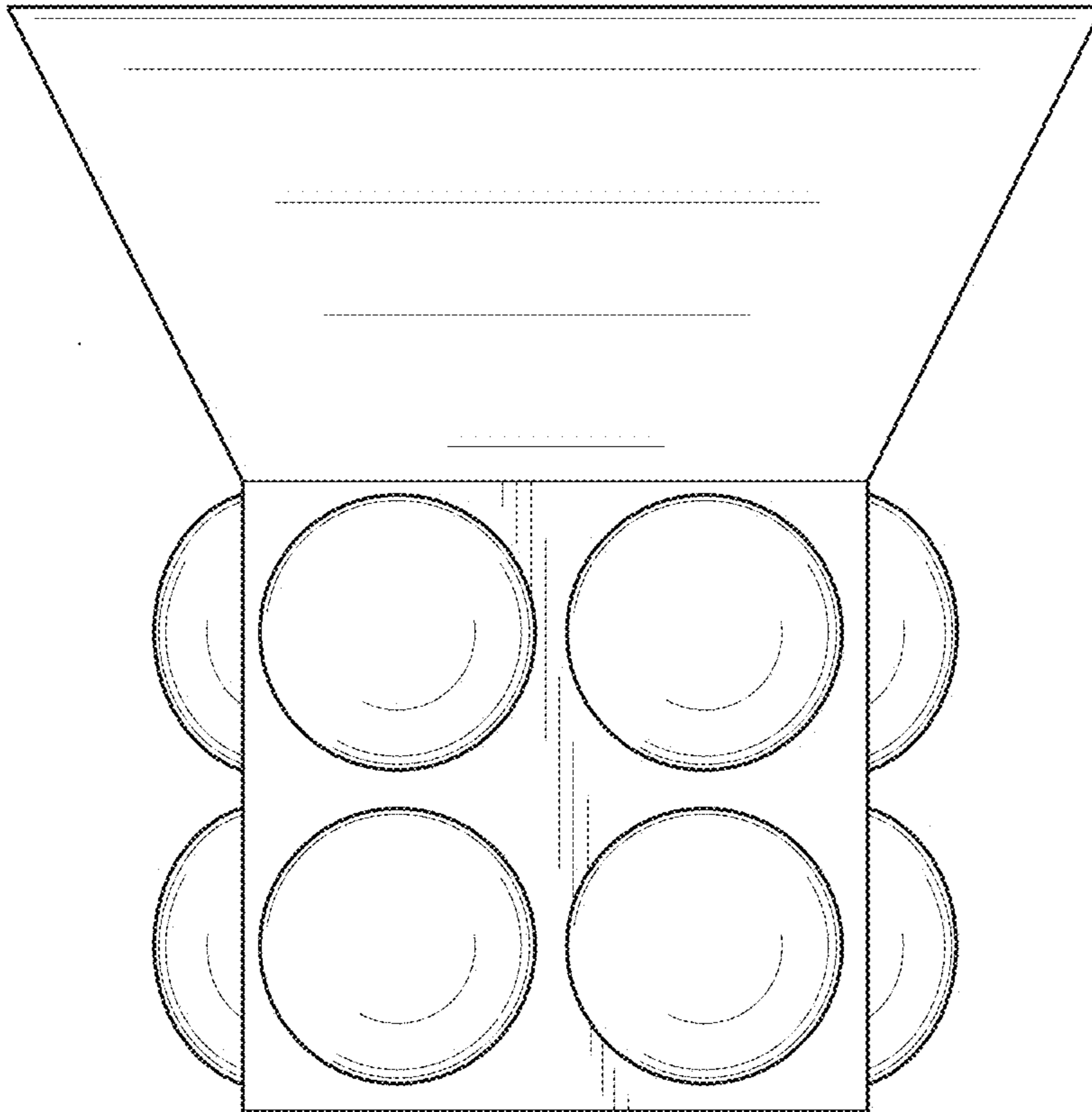


FIG. 1

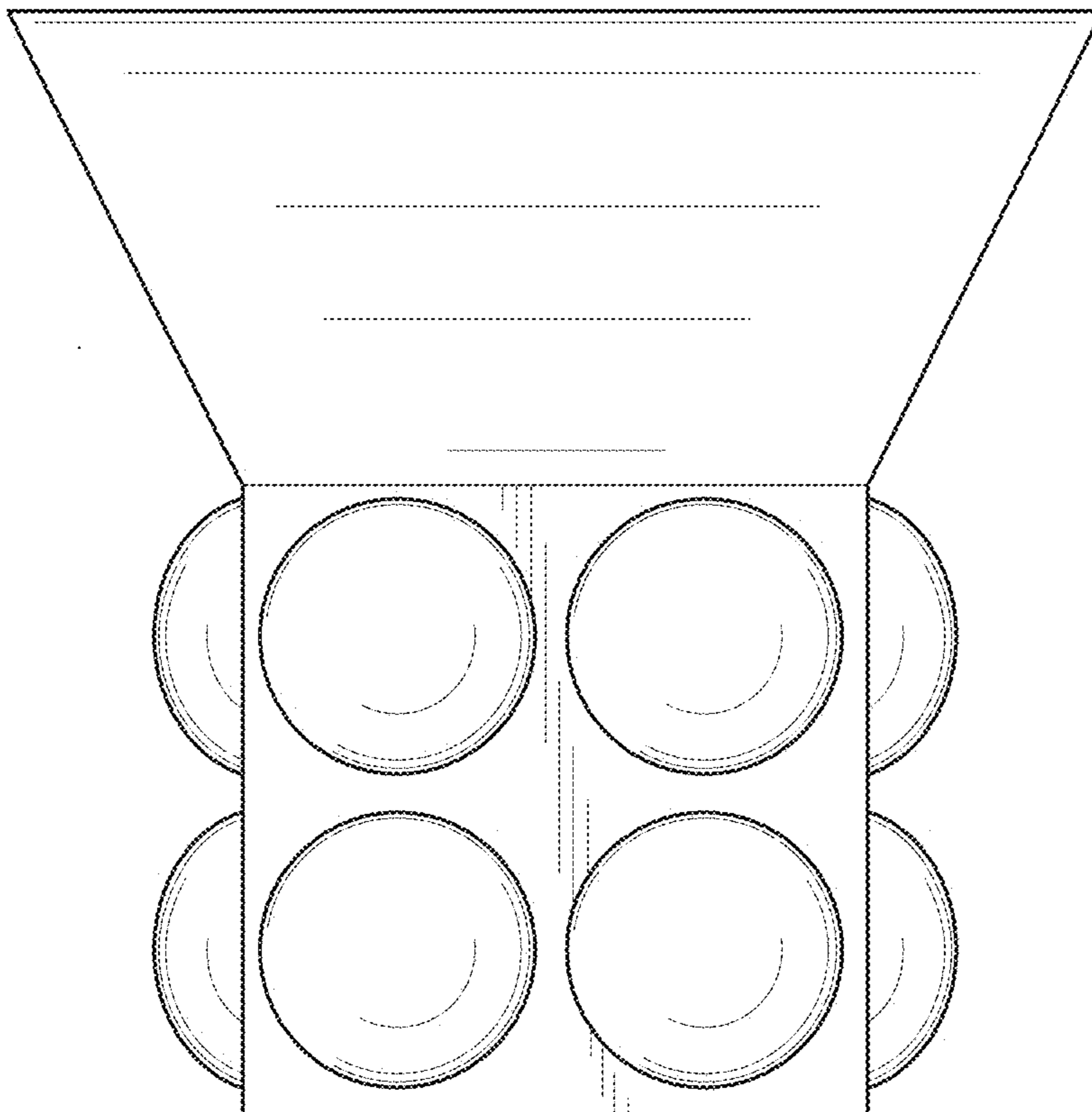


FIG. 2

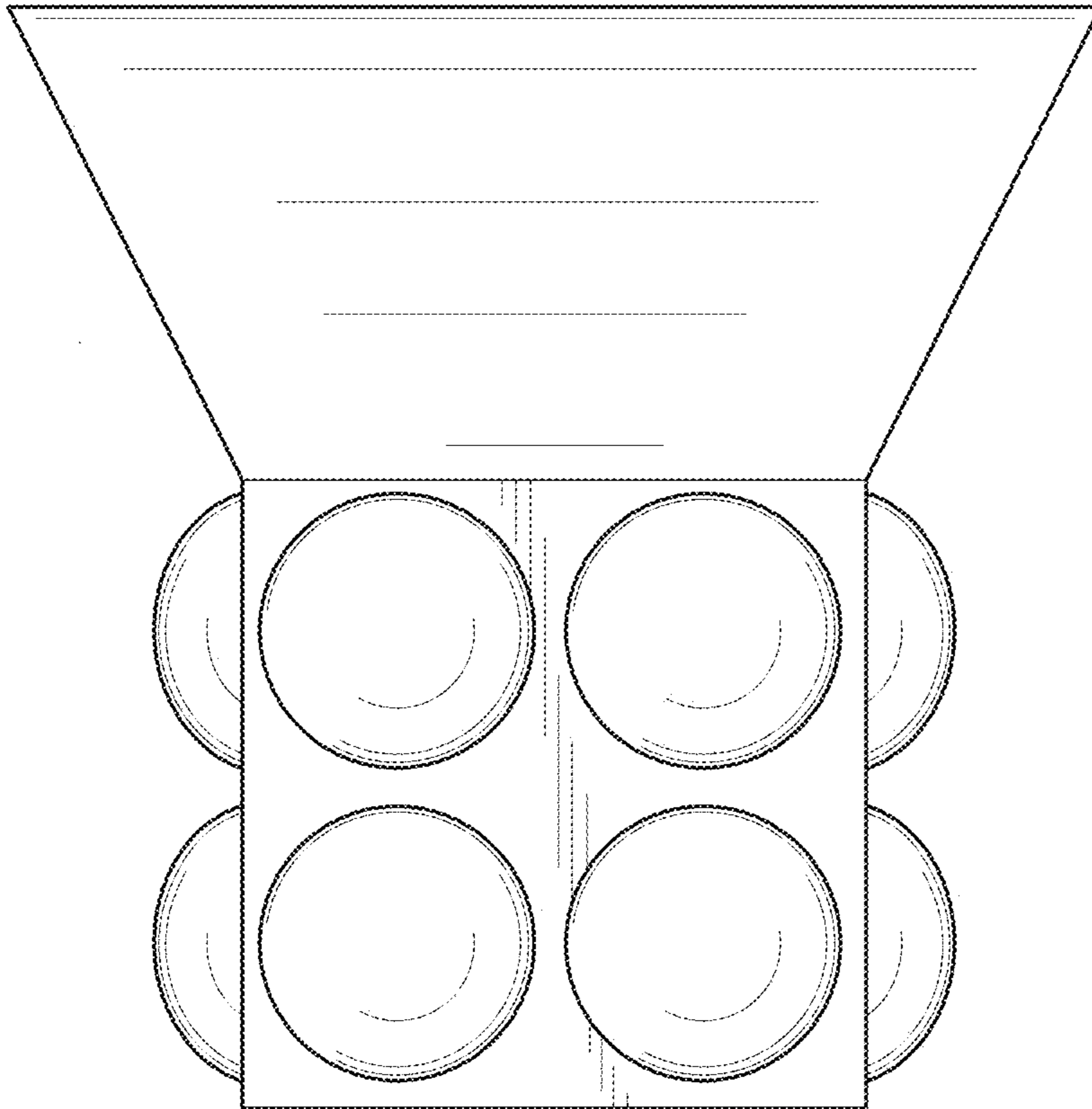


FIG. 3

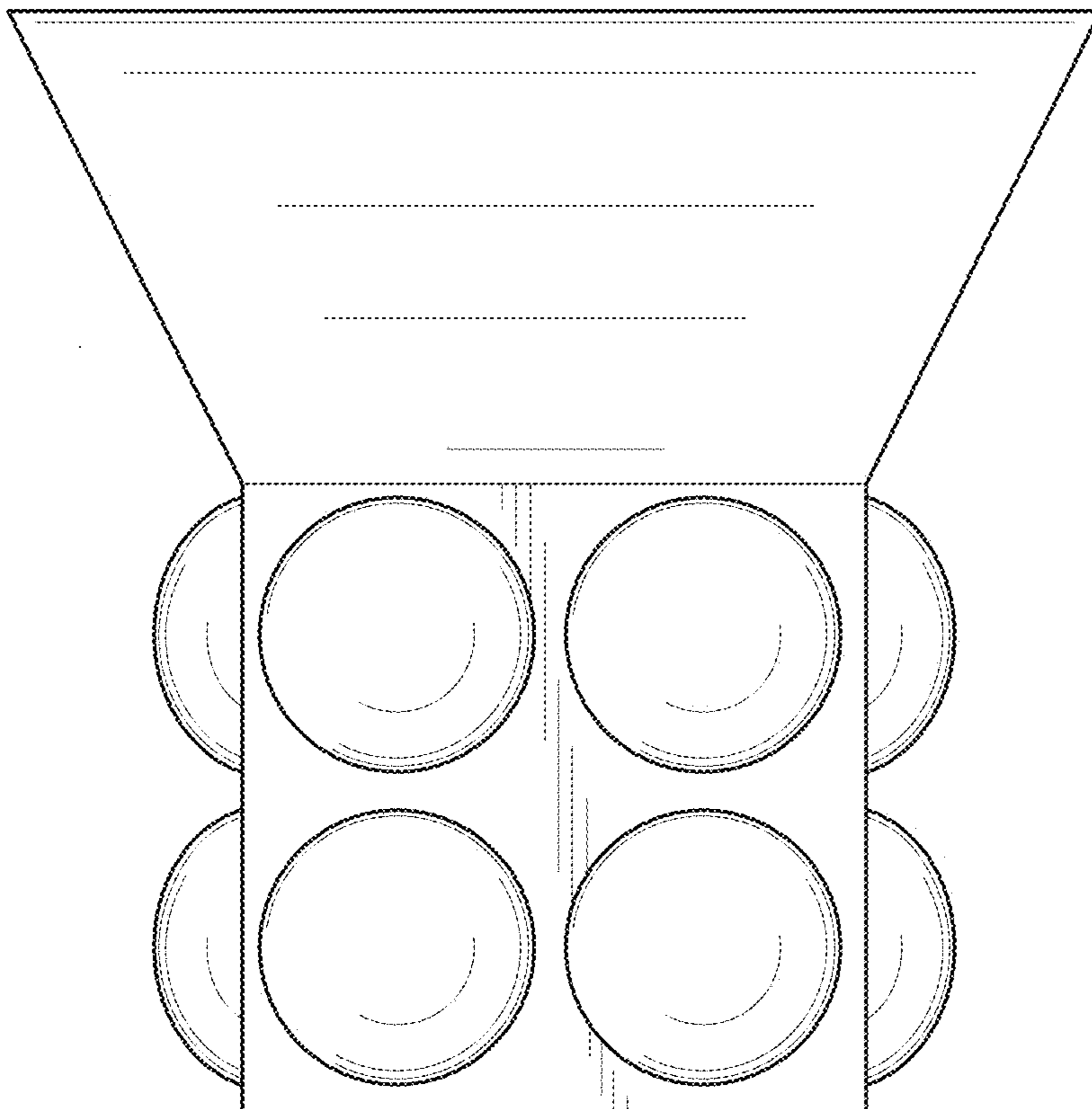


FIG. 4

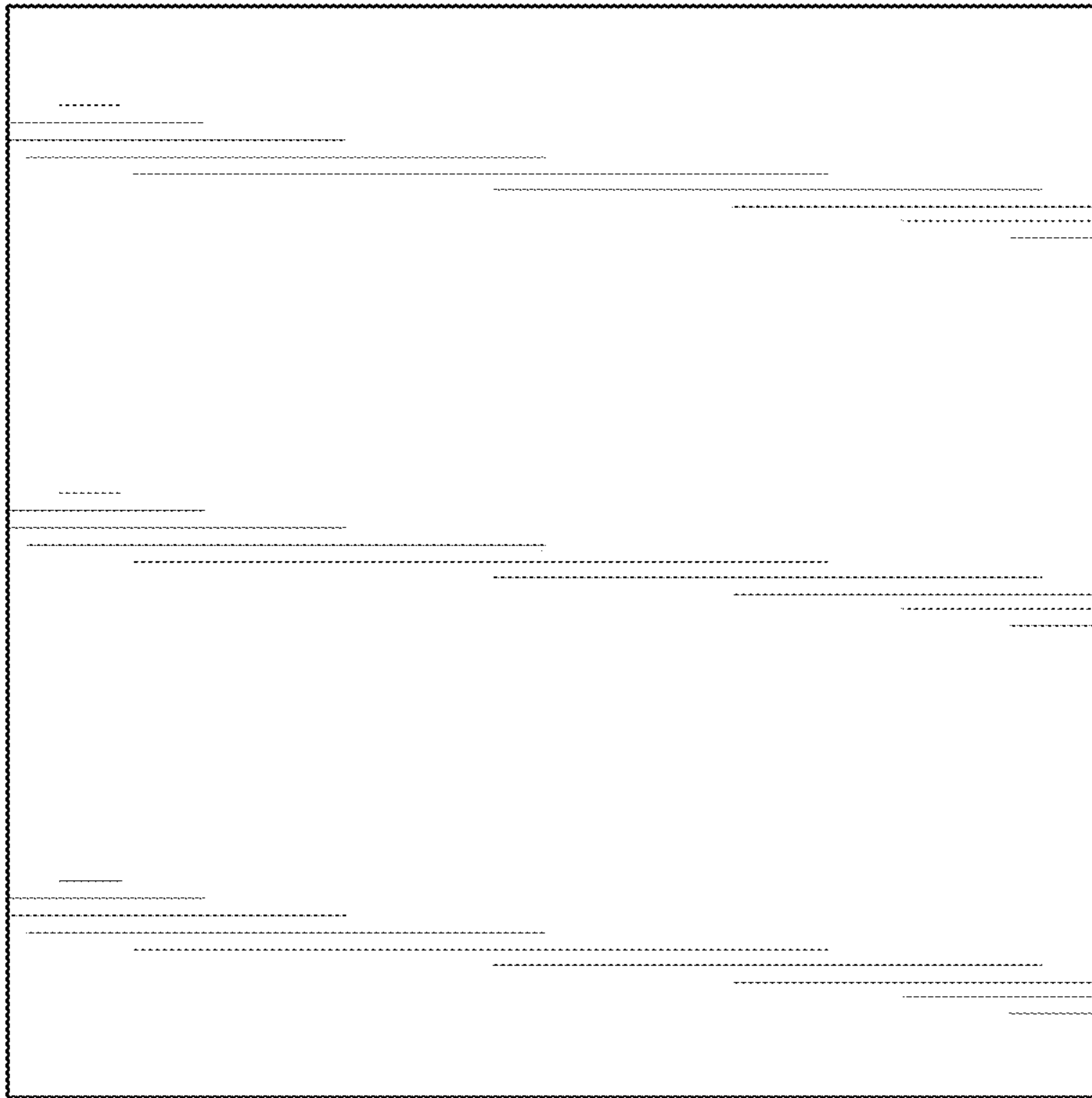


FIG. 5

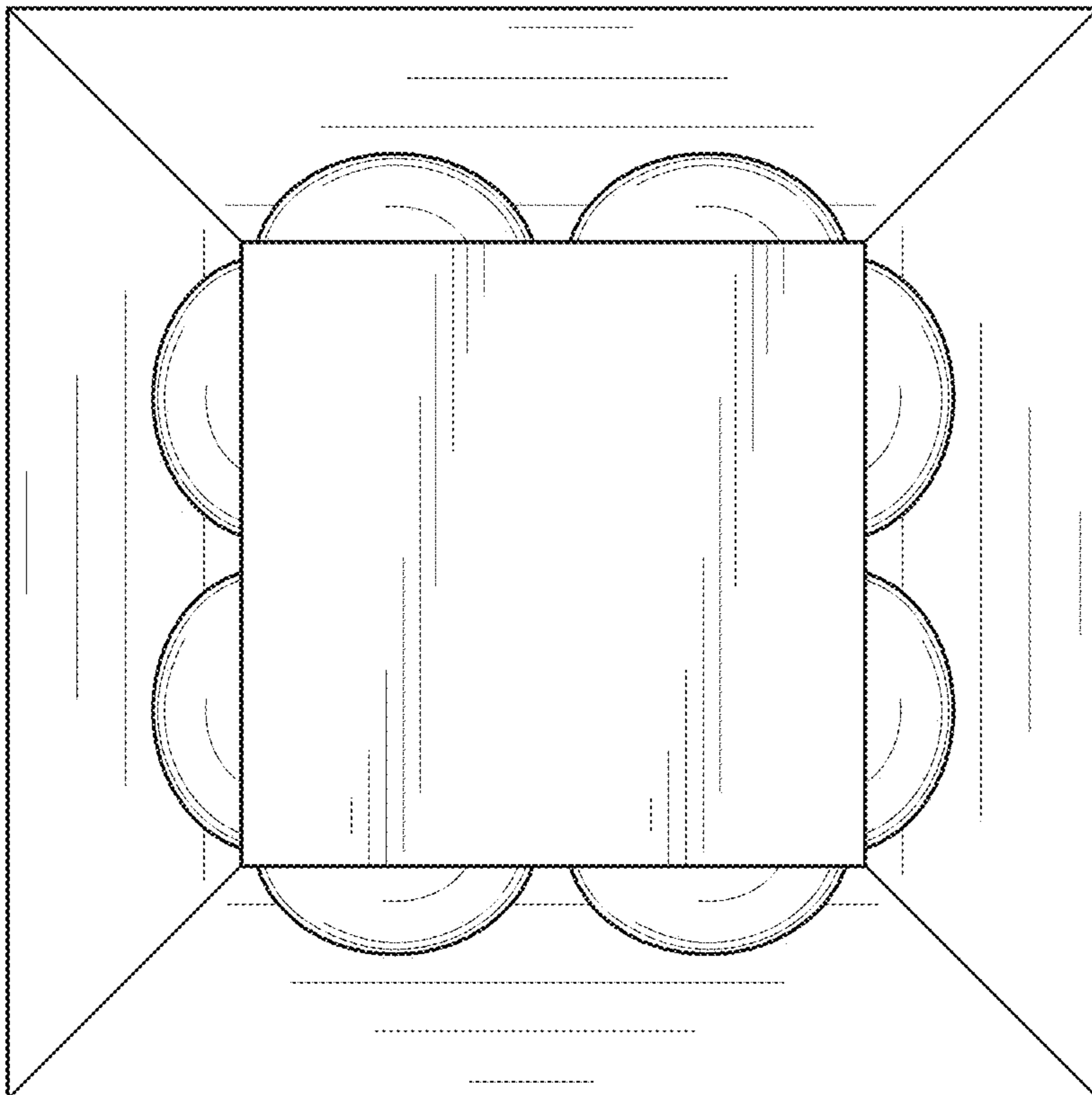


FIG. 6

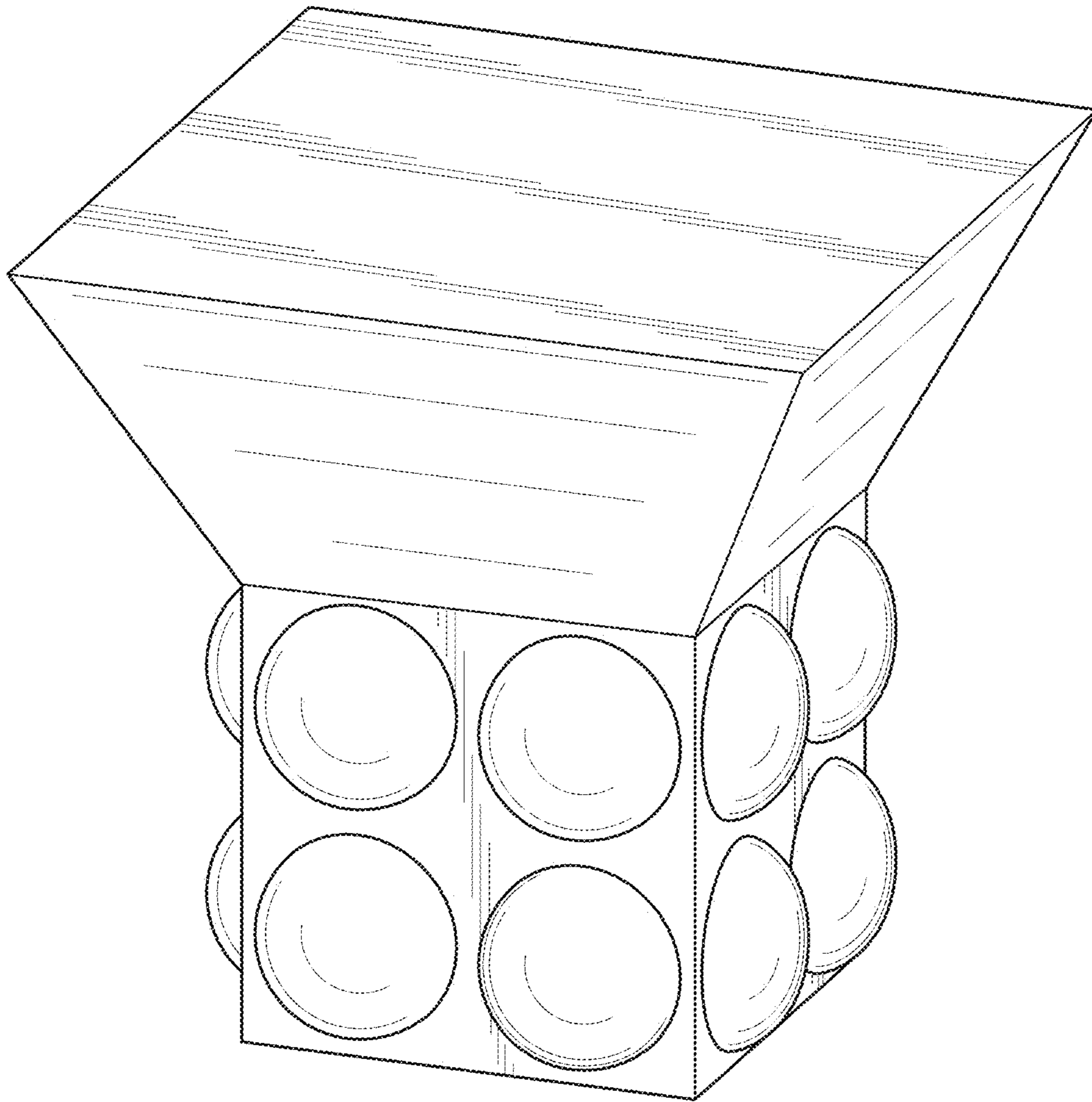


FIG. 7