



US00D892194S

(12) **United States Design Patent** (10) **Patent No.:** **US D892,194 S**  
**Nguyen et al.** (45) **Date of Patent:** **\*\* \*Aug. 4, 2020**

(54) **CAMERA**

(71) Applicant: **GoPro, Inc.**, San Mateo, CA (US)  
(72) Inventors: **Huy Phuong Nguyen**, San Mateo, CA (US); **Richard Gioscia**, Santa Clara, CA (US); **Quinn Jerome Odette Fitzgerald**, San Francisco, CA (US); **William Duncan Webb, II**, San Francisco, CA (US)

(73) Assignee: **GoPro, Inc.**, San Mateo, CA (US)

(\* ) Notice: This patent is subject to a terminal disclaimer.

(\*\*) Term: **15 Years**

(21) Appl. No.: **29/711,374**

(22) Filed: **Oct. 30, 2019**

**Related U.S. Application Data**

(60) Continuation of application No. 29/674,050, filed on Dec. 19, 2018, now Pat. No. Des. 868,871, which is a continuation of application No. 29/626,783, filed on Nov. 20, 2017, now Pat. No. Des. 840,463, which is a continuation of application No. 29/609,791, filed on Jul. 5, 2017, now Pat. No. Des. 806,775, which is a division of application No. 29/576,880, filed on Sep. 7, 2016, now Pat. No. Des. 794,696.

(51) **LOC (12) Cl.** ..... **16-05**

(52) **U.S. Cl.**  
USPC ..... **D16/219**

(58) **Field of Classification Search**  
USPC ..... D16/200, 202-206, 208-209, 212, 218, D16/219; 348/373-376; 396/448, 535, 396/539-541  
CPC ..... G03B 15/03; G03B 17/02; G03B 17/04; G03B 17/56; G03B 19/04; H04N 5/2251; H04N 5/2252; H04N 5/2253; H04N 5/2254; H04N 2101/00

See application file for complete search history.

(56) **References Cited**

U.S. PATENT DOCUMENTS

8,014,656 B2 9/2011 Woodman  
D647,554 S 10/2011 Yim  
8,544,643 B2 10/2013 Yim  
D710,922 S 8/2014 Gioscia  
(Continued)

OTHER PUBLICATIONS

United States Office Action, U.S. Appl. No. 29/576,880, dated Mar. 9, 2017, 13 pages.

*Primary Examiner* — Ramzi S Almatrahi  
(74) *Attorney, Agent, or Firm* — Young Basile Hanlon & MacFarlane, P.C.

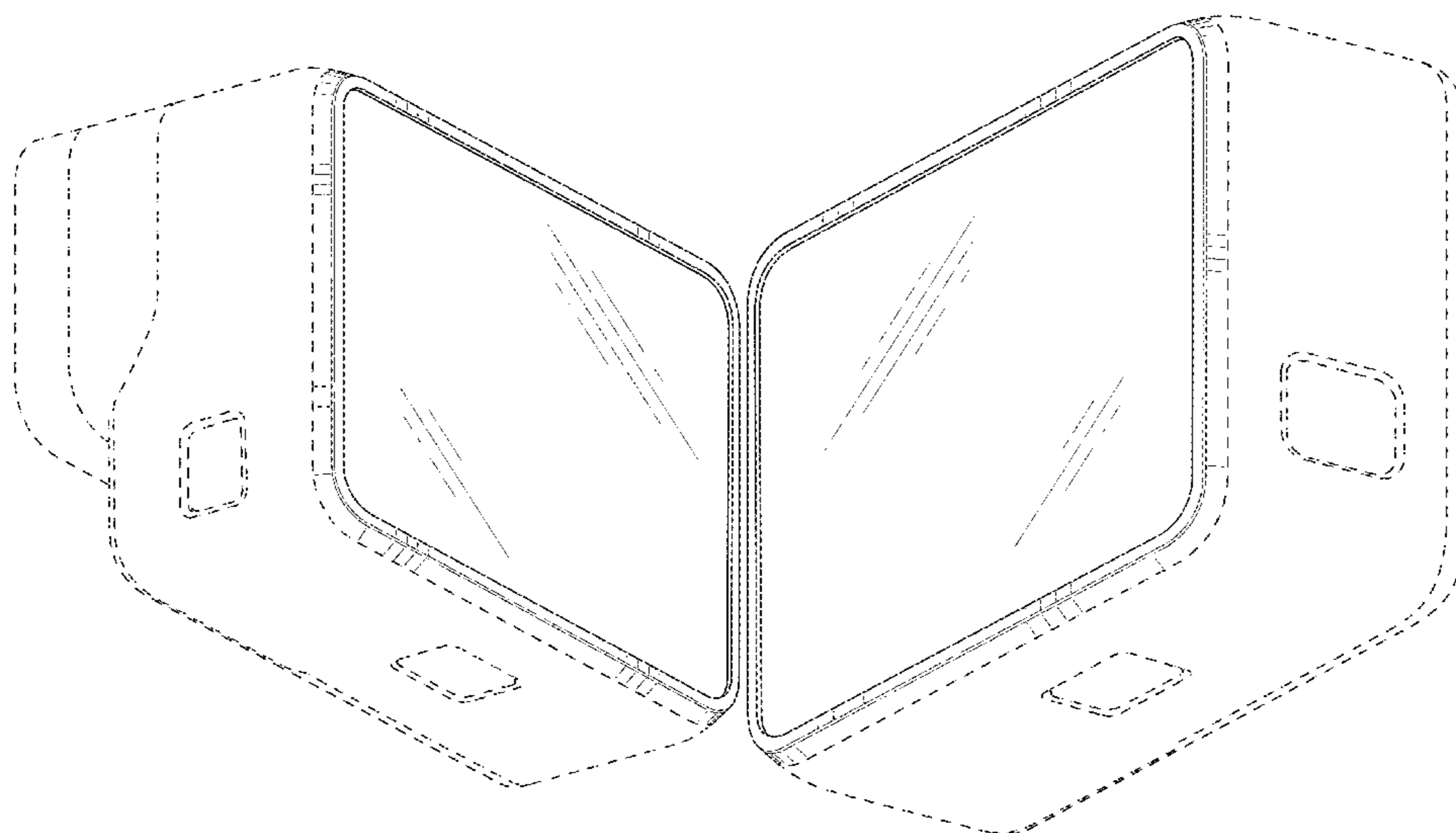
(57) **CLAIM**

The ornamental design for a camera, as shown and described.

**DESCRIPTION**

FIG. 1 is a front, top, and left side perspective view of a camera showing our new design;  
FIG. 2 is a rear, bottom, and right side perspective view thereof;  
FIG. 3 is a front, top, and right side perspective view thereof;  
FIG. 4 is a rear, bottom, and left side perspective view thereof;  
FIG. 5 is a front elevational view thereof;  
FIG. 6 is a rear elevational view thereof;  
FIG. 7 is a left side elevational view thereof;  
FIG. 8 is a right side elevational view thereof;  
FIG. 9 is a top plan view thereof; and,  
FIG. 10 is a bottom plan view thereof.  
The broken lines depict portions of the camera in which the design is embodied that form no part of the claimed design.

**1 Claim, 10 Drawing Sheets**



(56)

References Cited

U.S. PATENT DOCUMENTS

D721,395 S	1/2015	Woodman	D790,001 S	6/2017	Parfitt	
D725,169 S	3/2015	Gioscia	D790,002 S	6/2017	Nguyen	
D732,593 S	6/2015	Woodman	D791,211 S	7/2017	Fujita	
D737,879 S	9/2015	Woodman	D793,463 S	8/2017	Houin	
D739,451 S	9/2015	Gioscia	D800,202 S	10/2017	Hu	
D740,868 S	10/2015	Gioscia	D800,819 S	10/2017	Casarez	
D742,952 S	11/2015	Nakajima	D803,925 S	11/2017	Hoshi	
D750,146 S	2/2016	Costa	D805,117 S	12/2017	Gioscia	
D750,680 S	3/2016	Chen	D805,569 S	12/2017	Daugela	
D750,686 S	3/2016	Chen	D816,753 S	5/2018	Zhang	
D751,131 S	3/2016	Woodman	D818,029 S	5/2018	Asano	
D753,749 S	4/2016	Zhu	D820,335 S	6/2018	Fave	
D755,270 S	5/2016	Vehlewald	D821,480 S	6/2018	Gioscia	
D755,874 S	5/2016	Yang	D821,481 S	6/2018	Gioscia	
D758,467 S	6/2016	Zhang	D829,260 S	9/2018	Fujita	
D760,309 S	6/2016	Parfitt	D832,905 S	11/2018	Liu	
D766,351 S	9/2016	Li	D833,505 S	11/2018	Hu	
D769,346 S	10/2016	Nguyen	D835,172 S	12/2018	Fujita	
D772,966 S	11/2016	Song	D835,910 S *	12/2018	Eliyahu .....	D3/294
D773,546 S	12/2016	Nguyen	D836,696 S	12/2018	Zhang	
D775,254 S	12/2016	Parfitt	D837,865 S	1/2019	Parfitt	
D776,741 S	1/2017	Parfitt	D839,335 S	1/2019	Zhang	
D780,244 S	2/2017	Pan	D850,513 S *	6/2019	Gan .....	D16/218
D785,692 S	5/2017	Wang	D852,255 S *	6/2019	Guo .....	D16/202
D789,435 S	6/2017	Nguyen	D861,761 S *	10/2019	Bergman .....	D16/200
			D867,420 S *	11/2019	Zhang .....	D16/202
			2016/0209731 A1	7/2016	Song	

\* cited by examiner

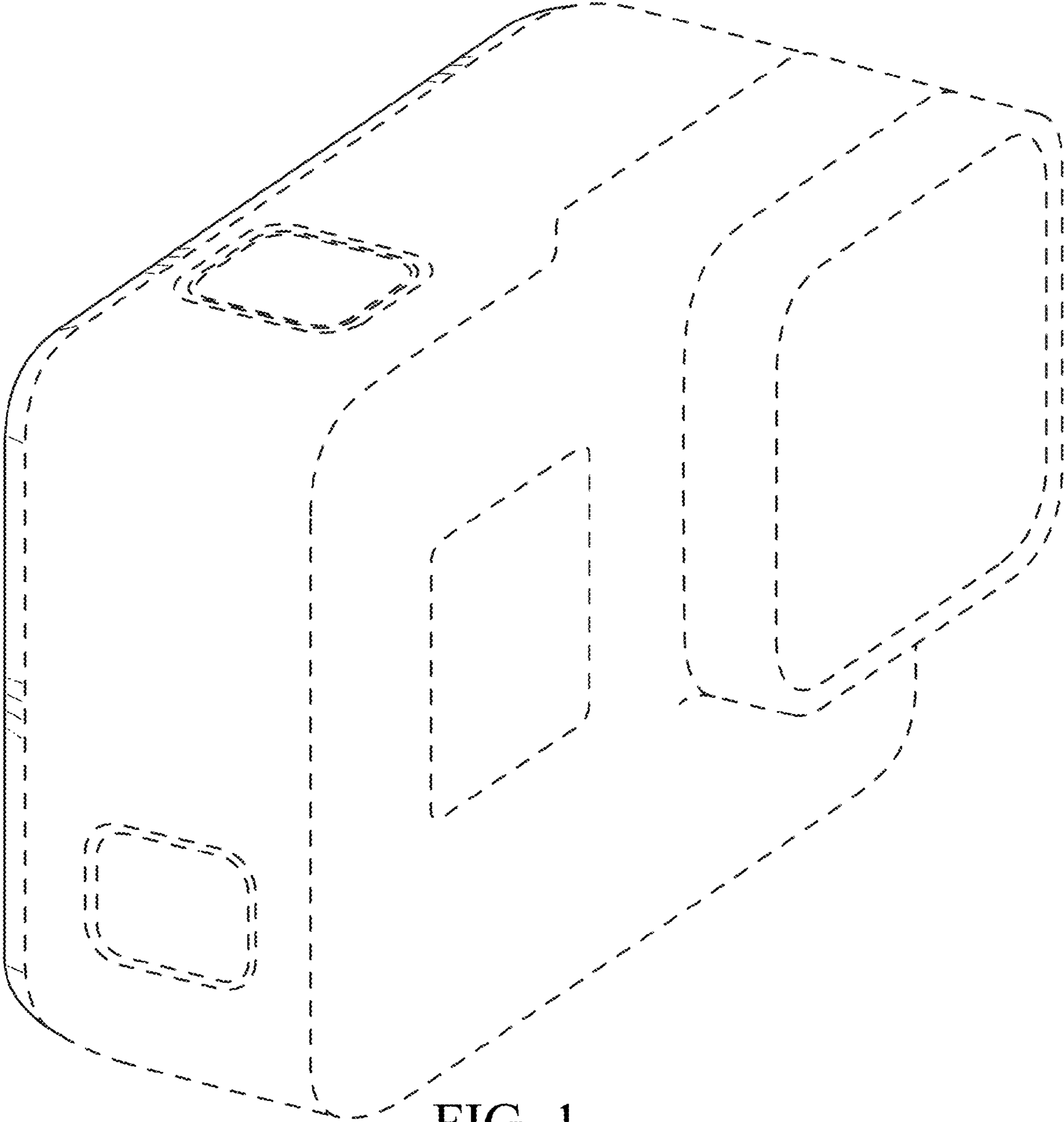


FIG. 1

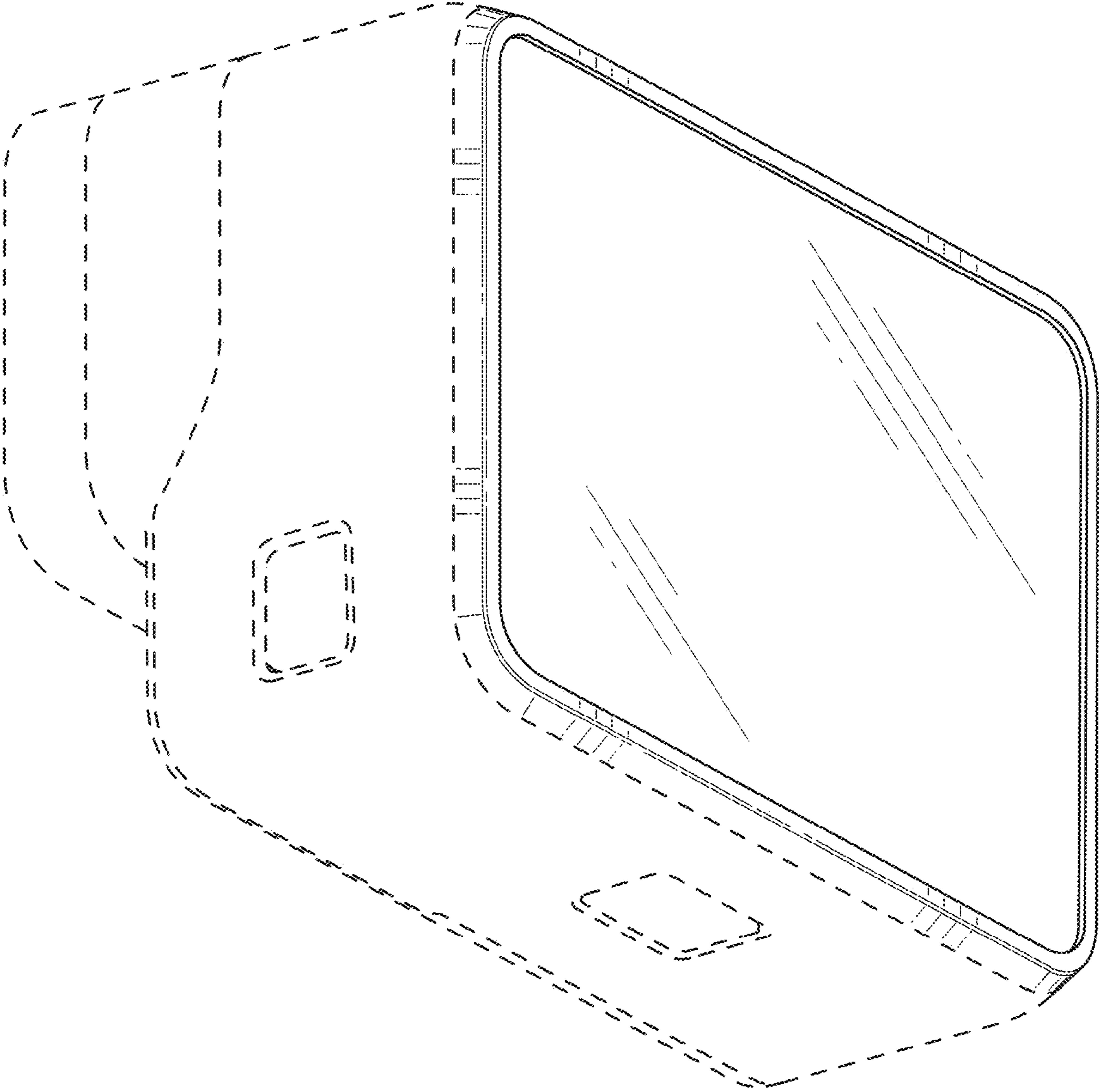


FIG. 2

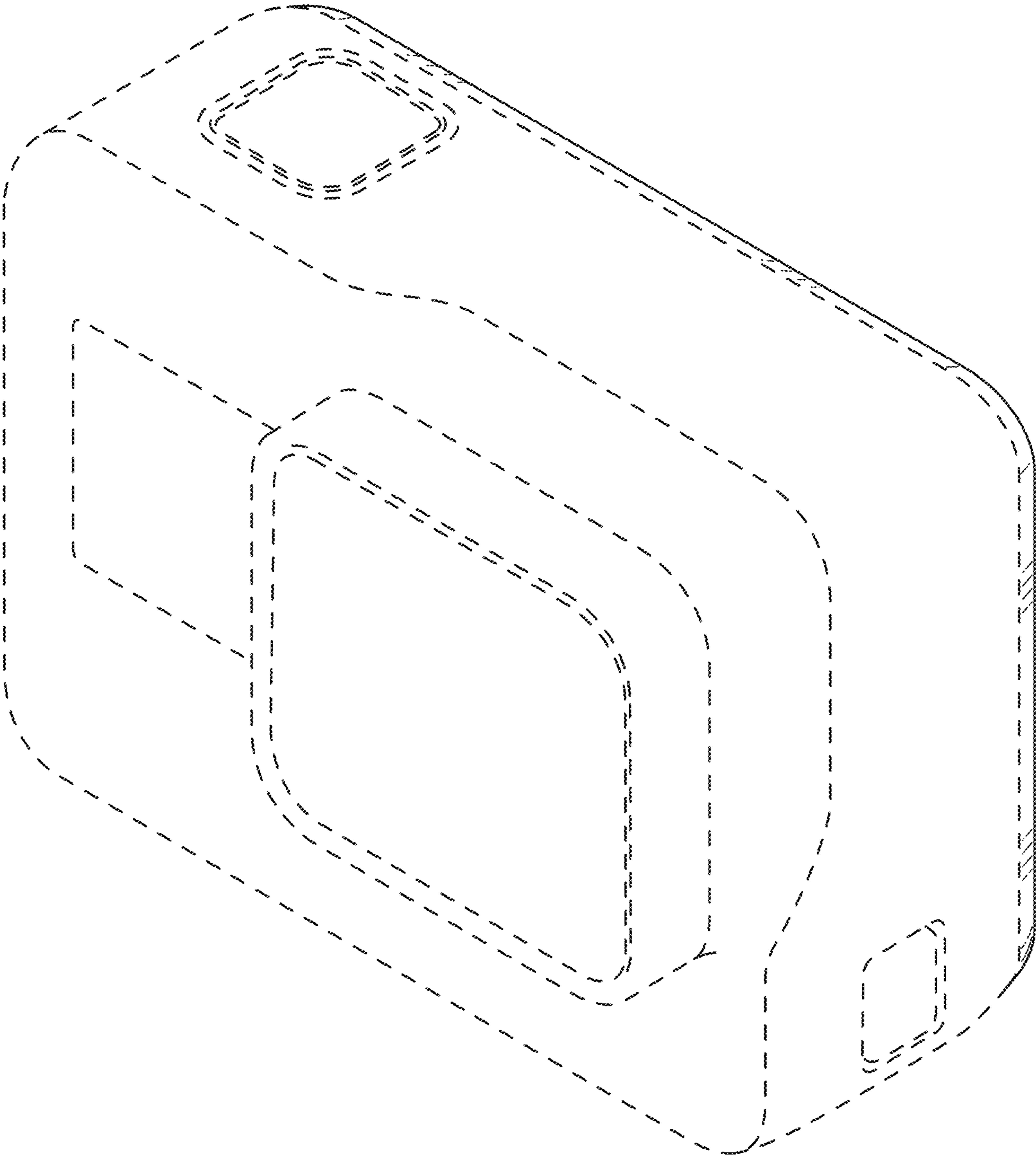


FIG. 3

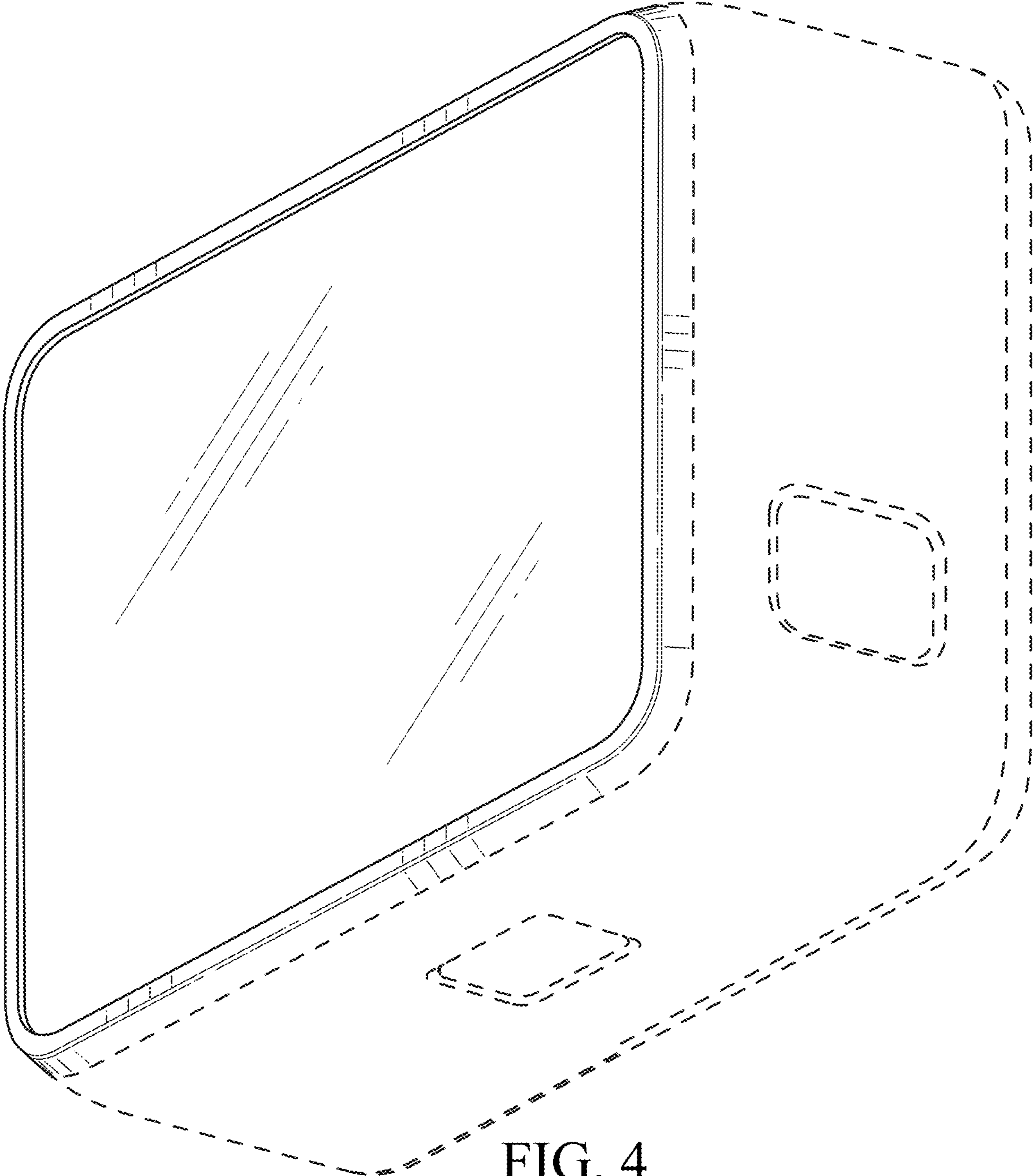


FIG. 4

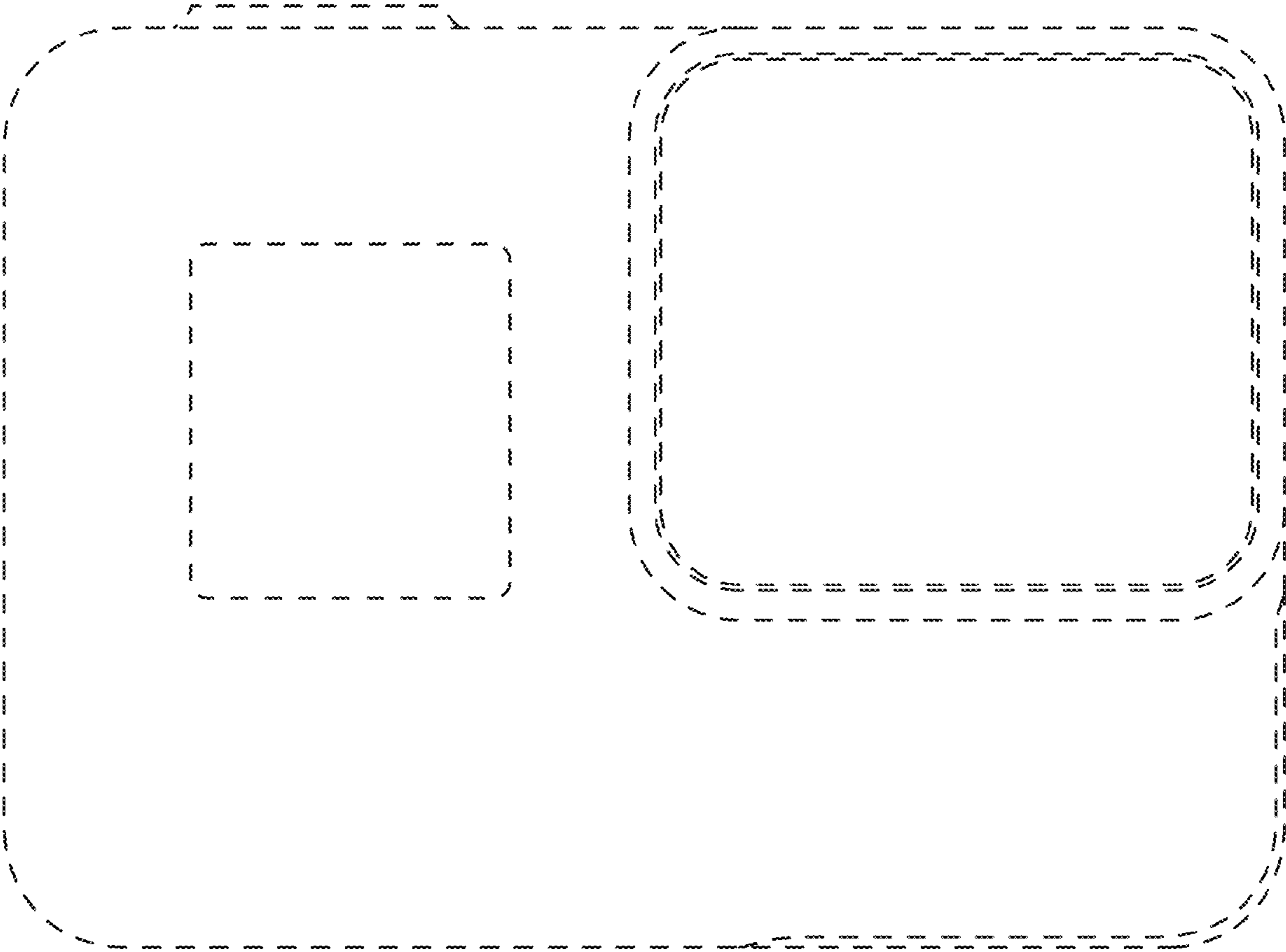


FIG. 5

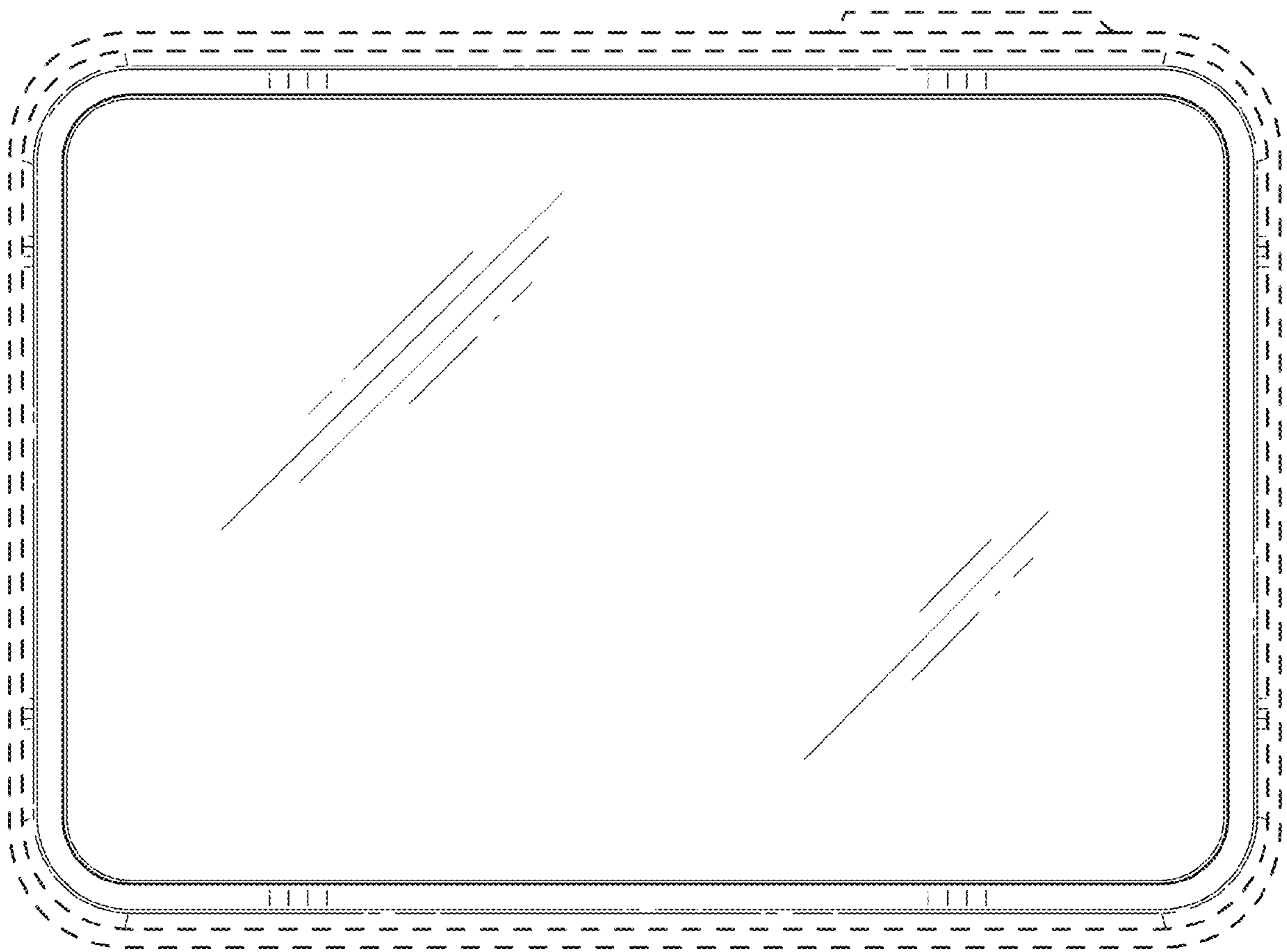


FIG. 6



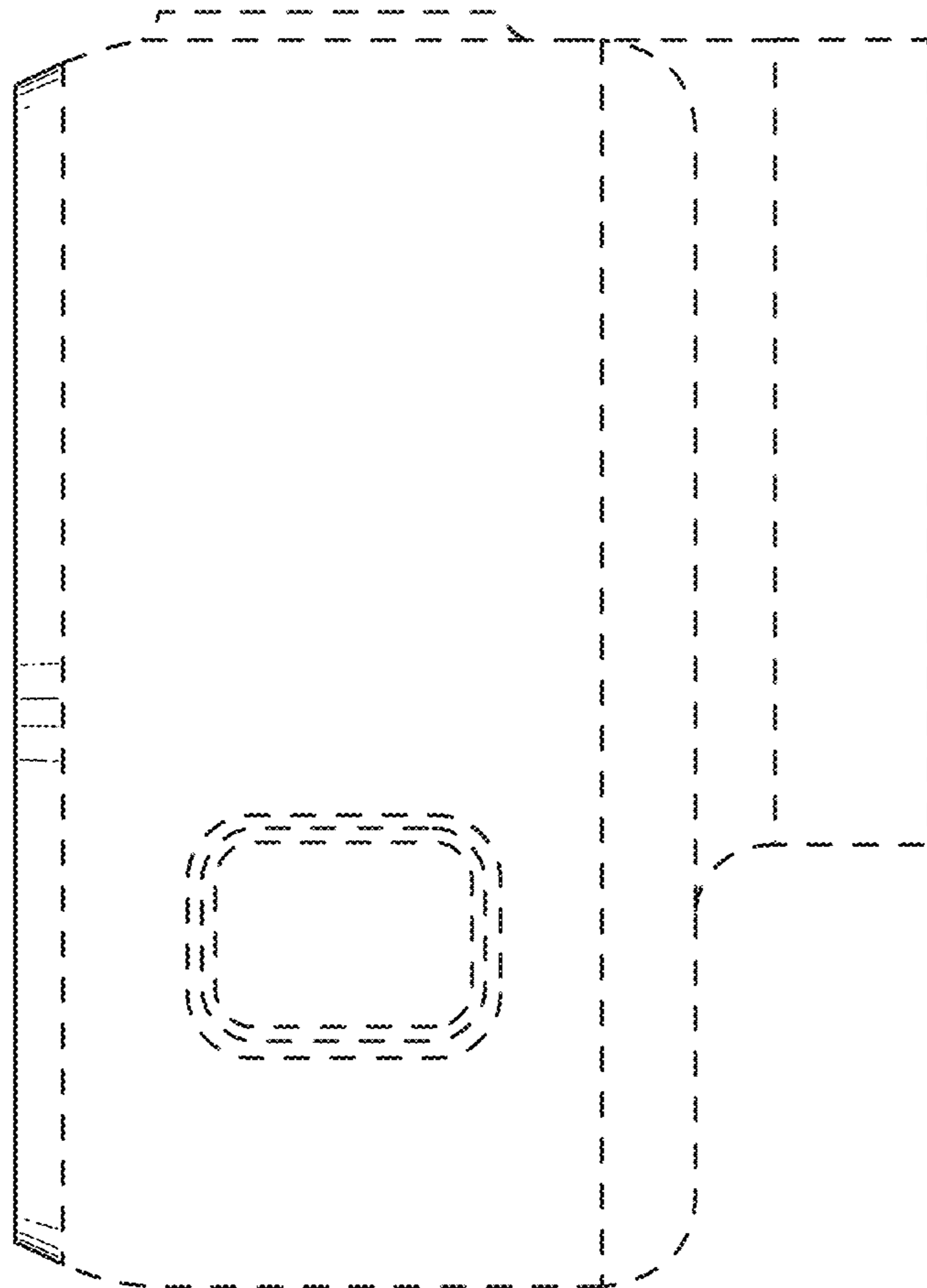


FIG. 7

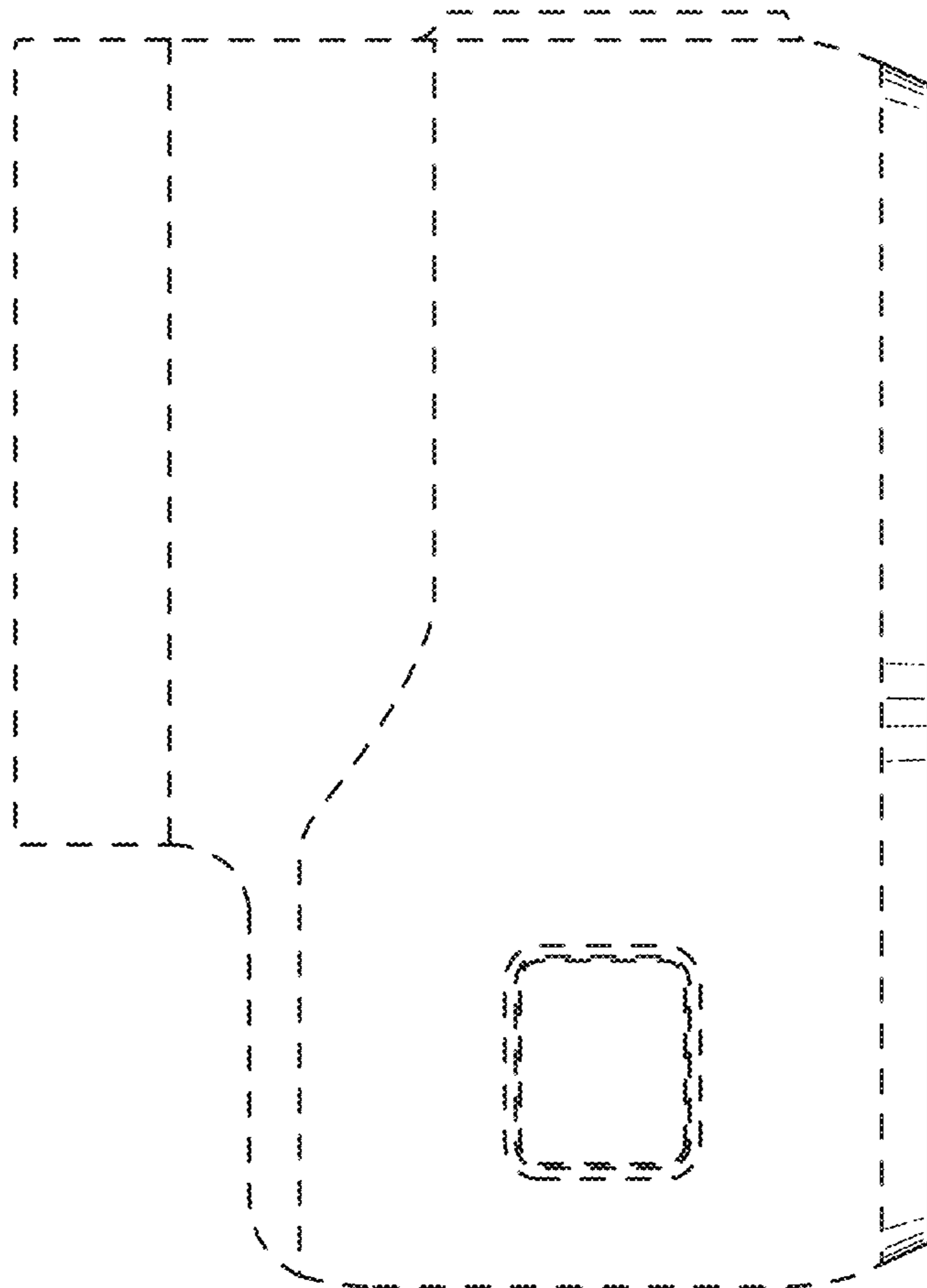


FIG. 8

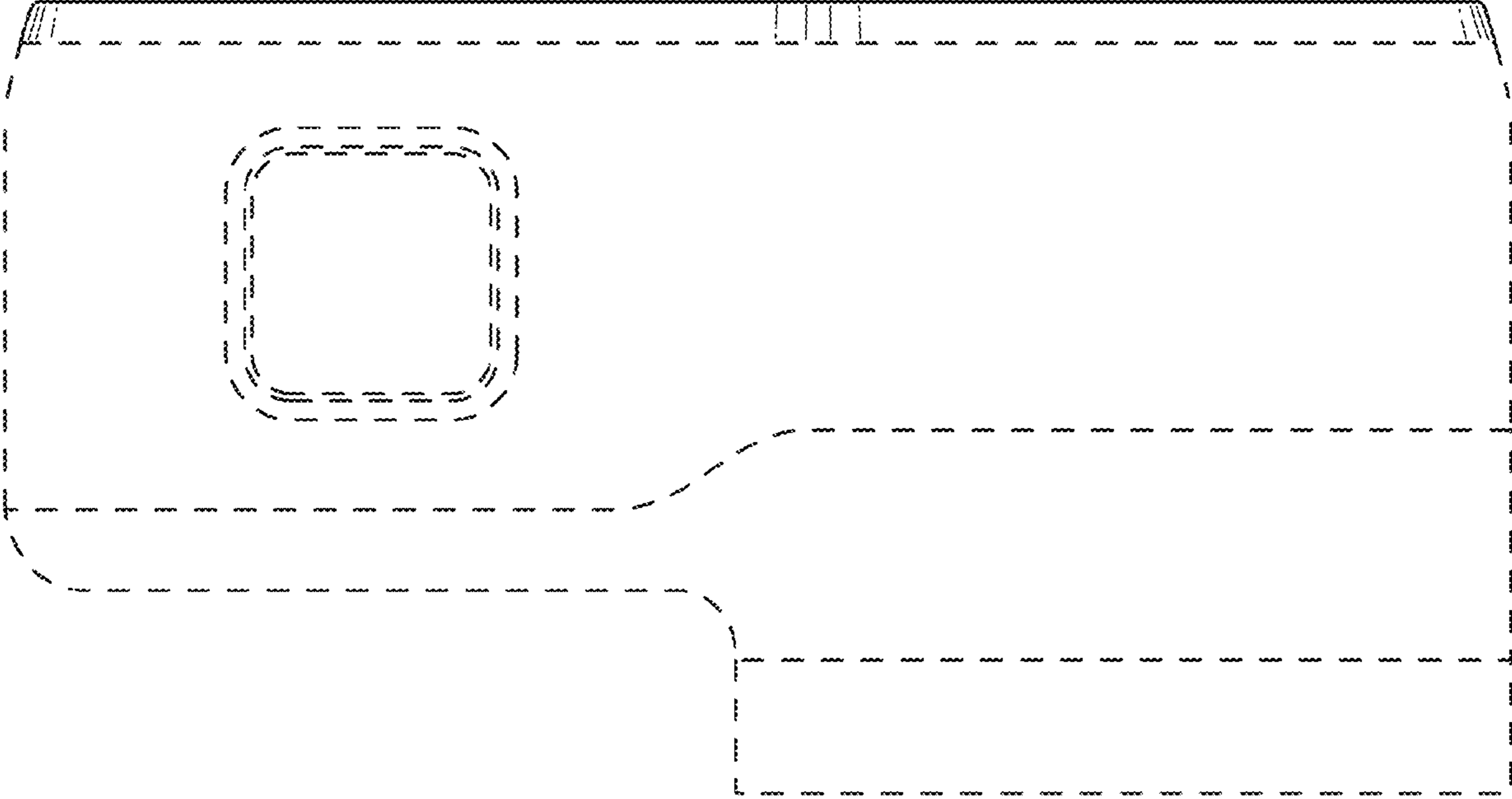


FIG. 9

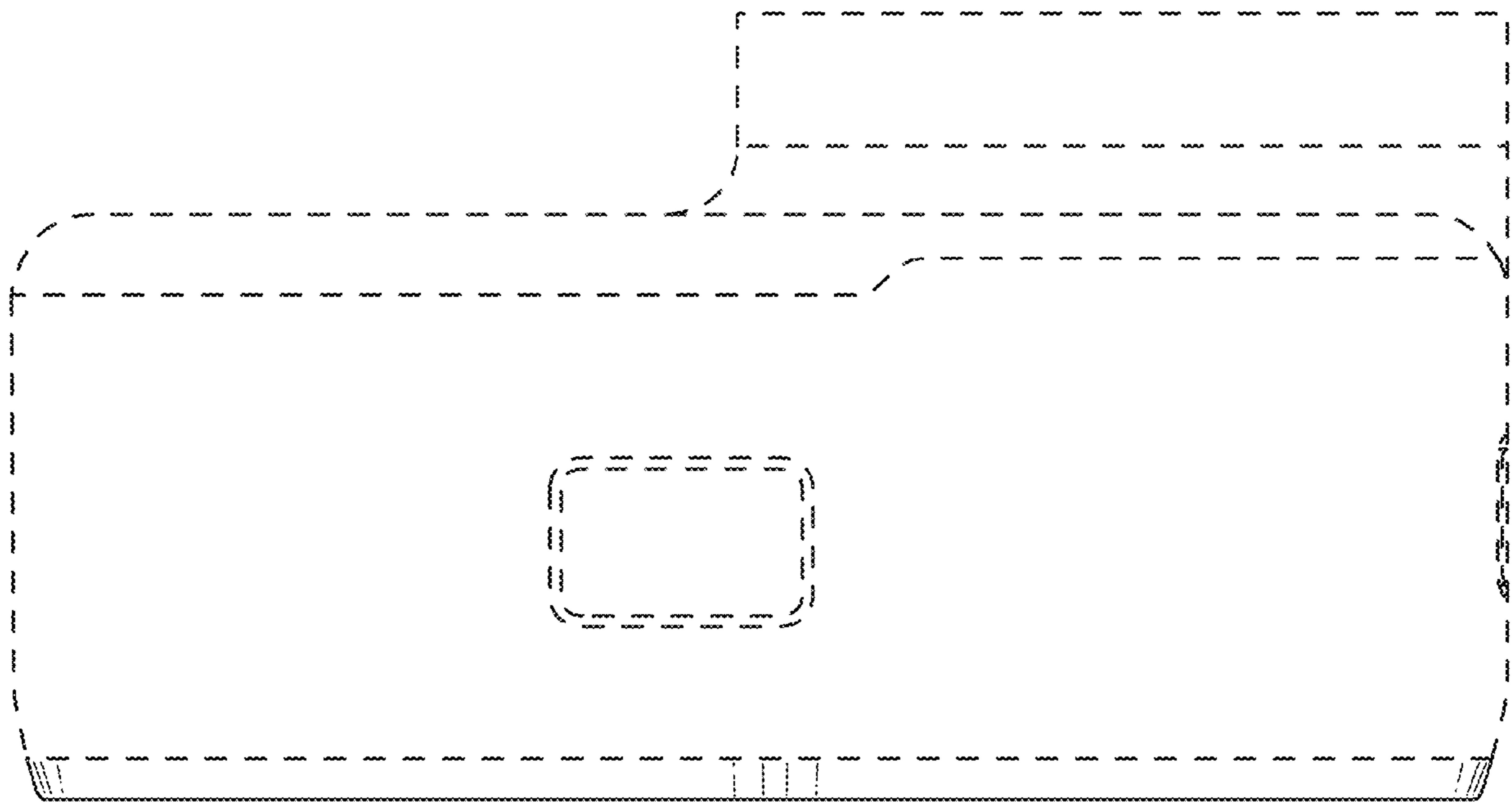


FIG. 10