



US00D892192S

(12) **United States Design Patent**
Furusawa et al.

(10) **Patent No.:** **US D892,192 S**
(45) **Date of Patent:** **** Aug. 4, 2020**

(54) **DOCUMENT CAMERA**

FOREIGN PATENT DOCUMENTS

(71) Applicant: **Elmo Co., Ltd.**, Nagoya-shi, Aichi (JP)

JP 1570357 D 2/2017

(72) Inventors: **Hiroyuki Furusawa**, Nagoya (JP);
Yusuke Dohi, Nagoya (JP); **Tetsuro Kato**, Nagoya (JP)

OTHER PUBLICATIONS

Office Action of JP corresponding design application JP2018-024287, dated Jun. 27, 2019 and English translation hereof.

(73) Assignee: **Elmo Co., Ltd.**, Nagoya-shi, Aichi (JP)

Primary Examiner — Ramzi S Almatrahi

(**) Term: **15 Years**

(74) *Attorney, Agent, or Firm* — Muncy, Geissler, Olds & Lowe, P.C.

(21) Appl. No.: **29/689,054**

(22) Filed: **Apr. 26, 2019**

(57) **CLAIM**

(30) **Foreign Application Priority Data**

The ornamental design for a document camera, as shown and described.

Nov. 5, 2018 (JP) 2018-024287

(51) **LOC (12) Cl.** **16-01**

(52) **U.S. Cl.**
USPC **D16/211**; D16/232; D14/423

(58) **Field of Classification Search**
USPC D16/200, 202–204, 208, 211, 218, 219,
D16/221, 225, 229, 232; D14/423, 429,
D14/251; 348/373–376; 396/430, 431,
396/535, 539–541

CPC G03B 17/02; G03B 19/04; G03B 17/56;
G03B 17/04; G03B 15/03; G03B 17/48;
G03B 17/06; H04N 5/2251; H04N
5/2252; H04N 5/2253; H04N 5/2254

See application file for complete search history.

DESCRIPTION

(56) **References Cited**

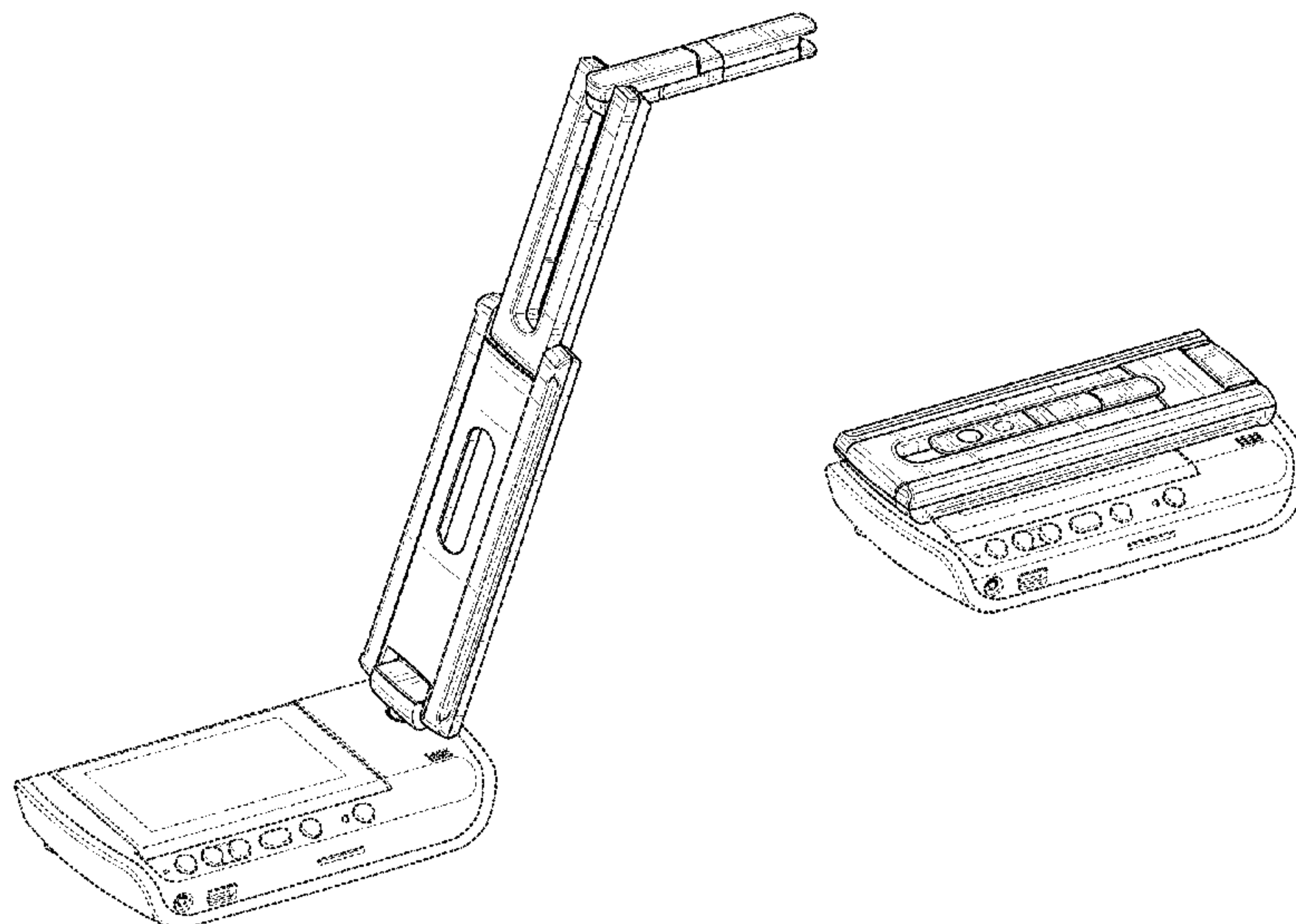
U.S. PATENT DOCUMENTS

D651,635 S * 1/2012 Hong D14/423
D667,042 S * 9/2012 Shen D14/423
D677,707 S * 3/2013 Shen D16/232
D680,148 S * 4/2013 Unno D14/423
D685,017 S * 6/2013 Kato D16/235
D708,655 S * 7/2014 Wong D16/208

(Continued)

FIG. 1 is a top, front and left side perspective view of a document camera showing our new design;
FIG. 2 is a front view thereof;
FIG. 3 is a back view thereof;
FIG. 4 is a right side view thereof;
FIG. 5 is a left side view thereof;
FIG. 6 is a top plan view thereof;
FIG. 7 is a bottom plan view thereof;
FIG. 8 is a top, front and left side perspective view showing the document camera in an alternate position;
FIG. 9 is a top, front and left side perspective view showing the document camera in a second alternate position;
FIG. 10 is a top, front and left side perspective view showing the document camera in a third alternate position; and,
FIG. 11 is a top, front and left side perspective view showing the document camera in a fourth alternate position.
The broken lines depict portions of the document camera in which the design is embodied that form no part of the claimed design.

1 Claim, 11 Drawing Sheets



(56)

References Cited

U.S. PATENT DOCUMENTS

D709,502 S *	7/2014	Shen	D14/423
D717,855 S *	11/2014	Hong	D14/423
D753,209 S *	4/2016	Zetsu	D16/208
D782,558 S *	3/2017	Tabuchi	D16/214
D818,516 S *	5/2018	Yamakose	D16/211
2013/0148017 A1 *	6/2013	Furusawa	H04N 5/2252
			348/376
2017/0176843 A1 *	6/2017	Yamakose	H04N 5/2252

* cited by examiner

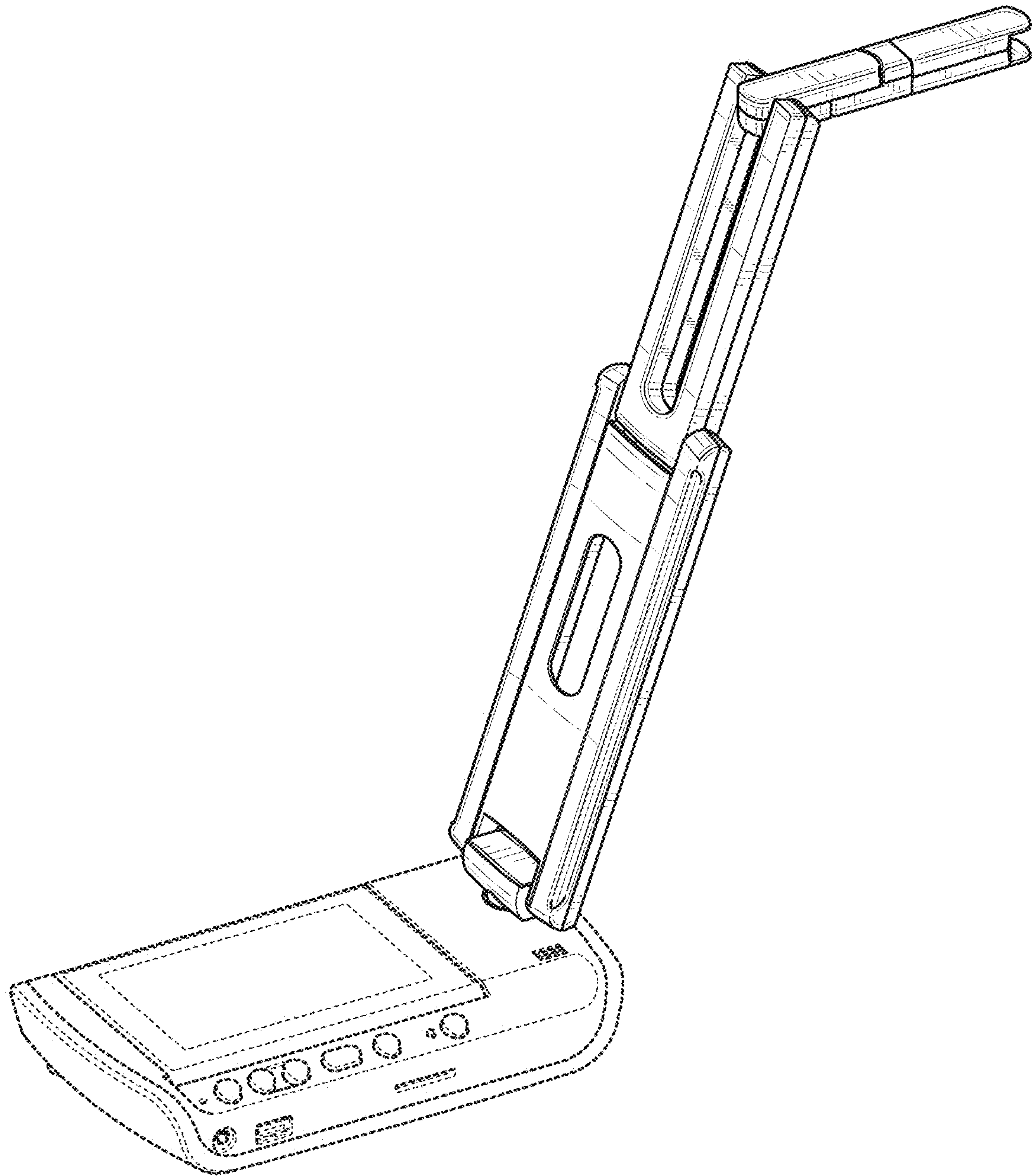


FIG. 1

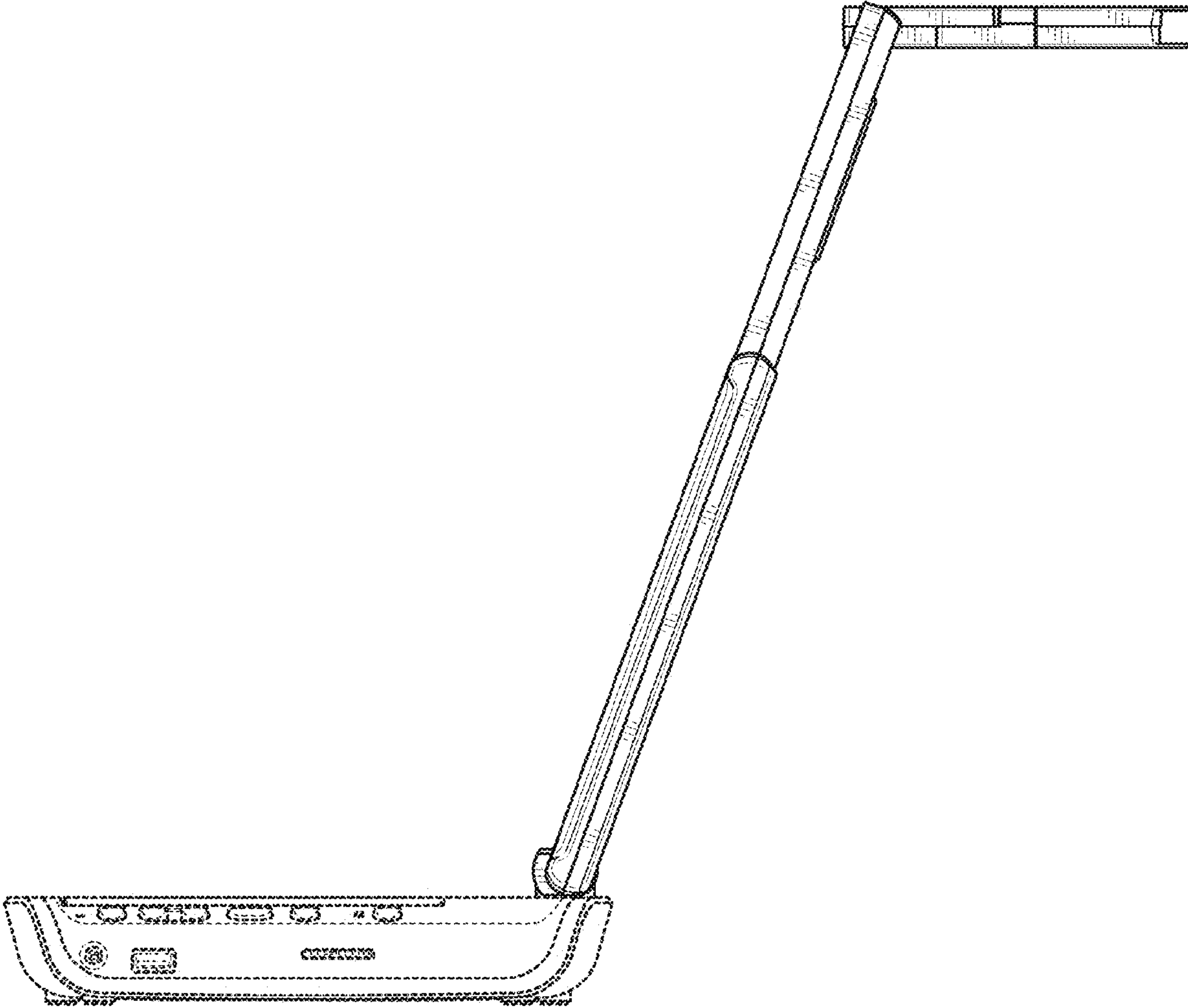


FIG. 2

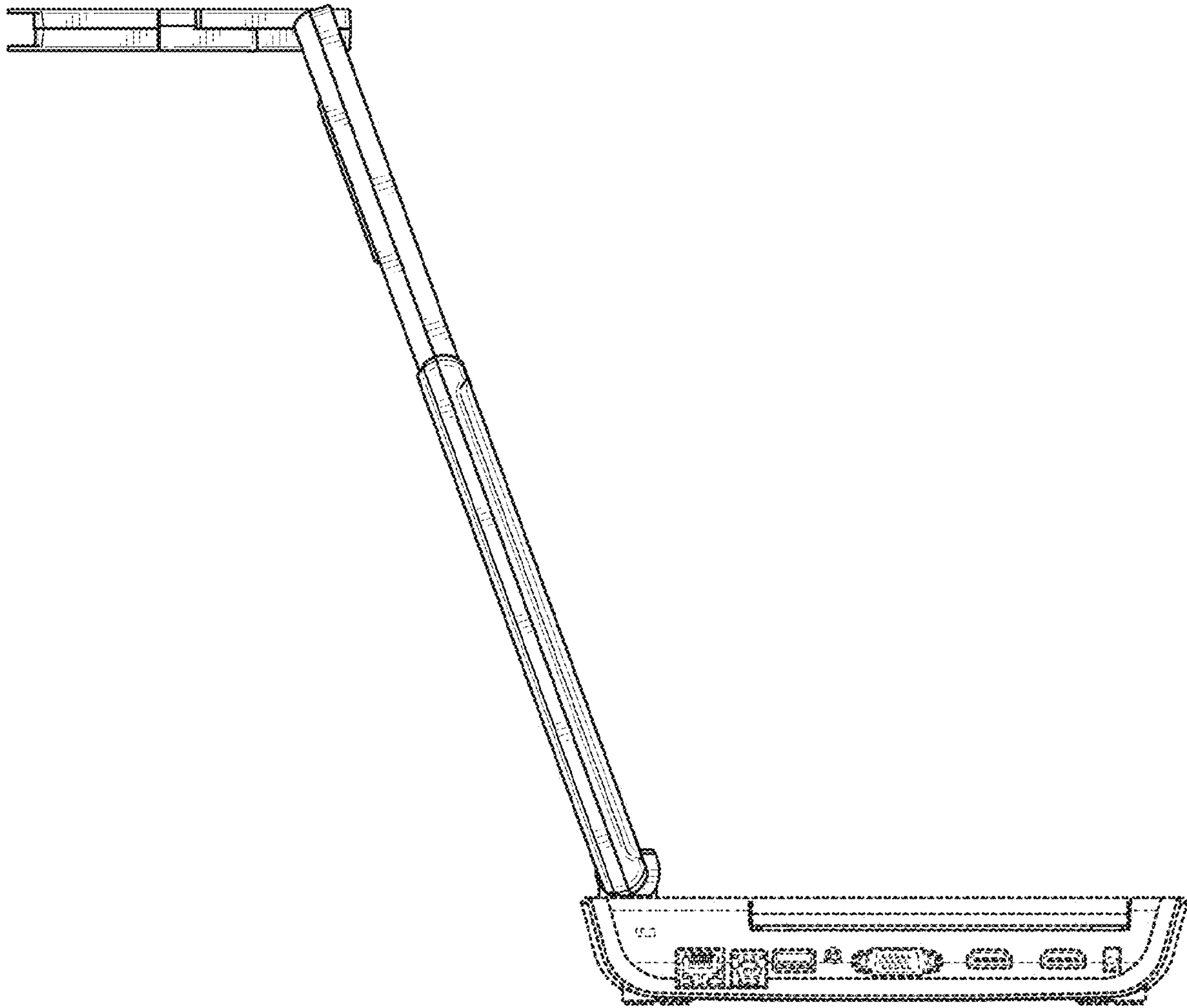


FIG. 3

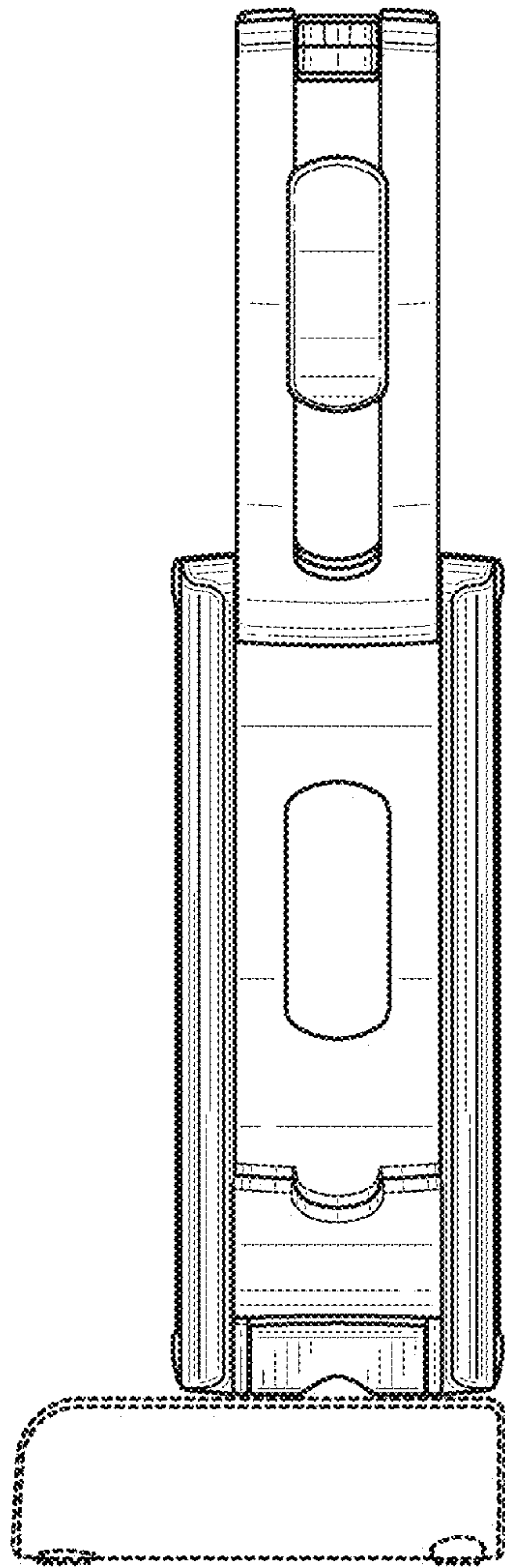


FIG. 4

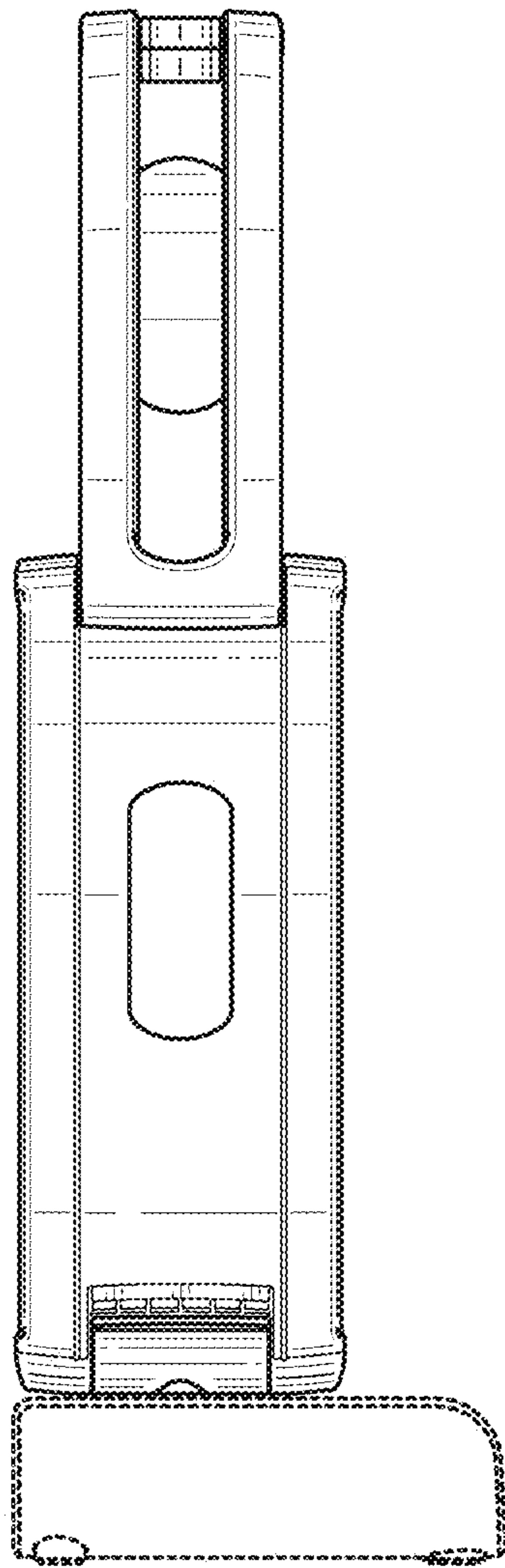


FIG. 5

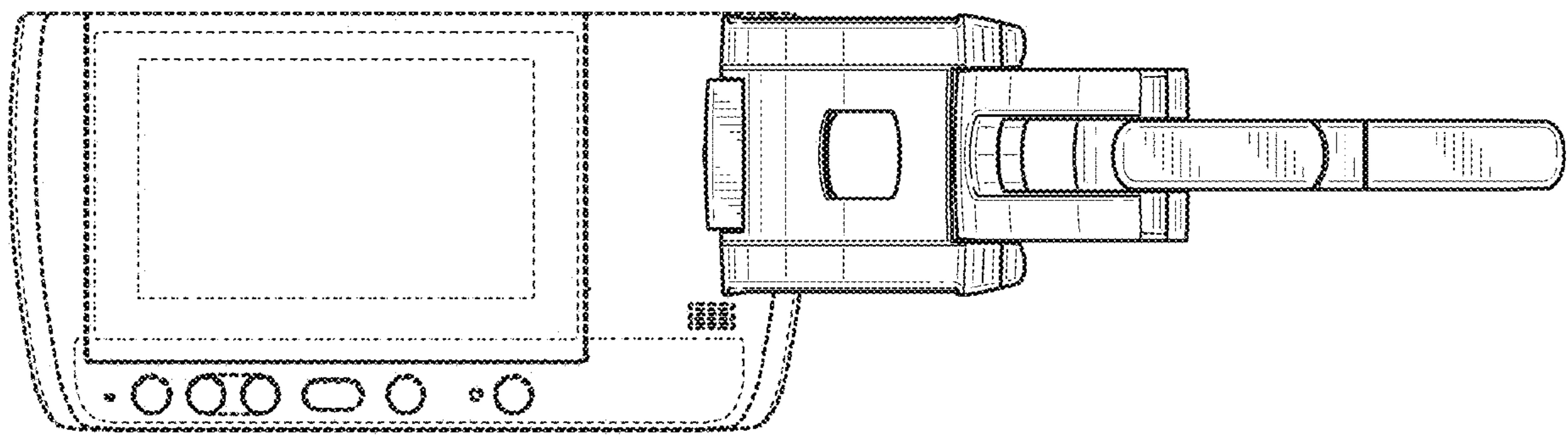


FIG. 6

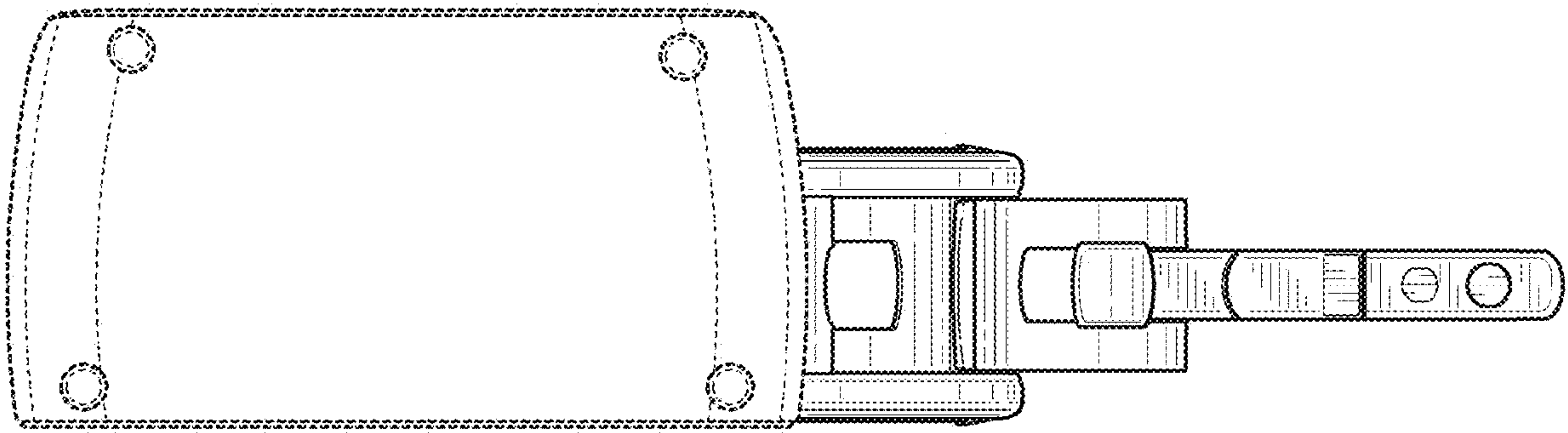


FIG. 7

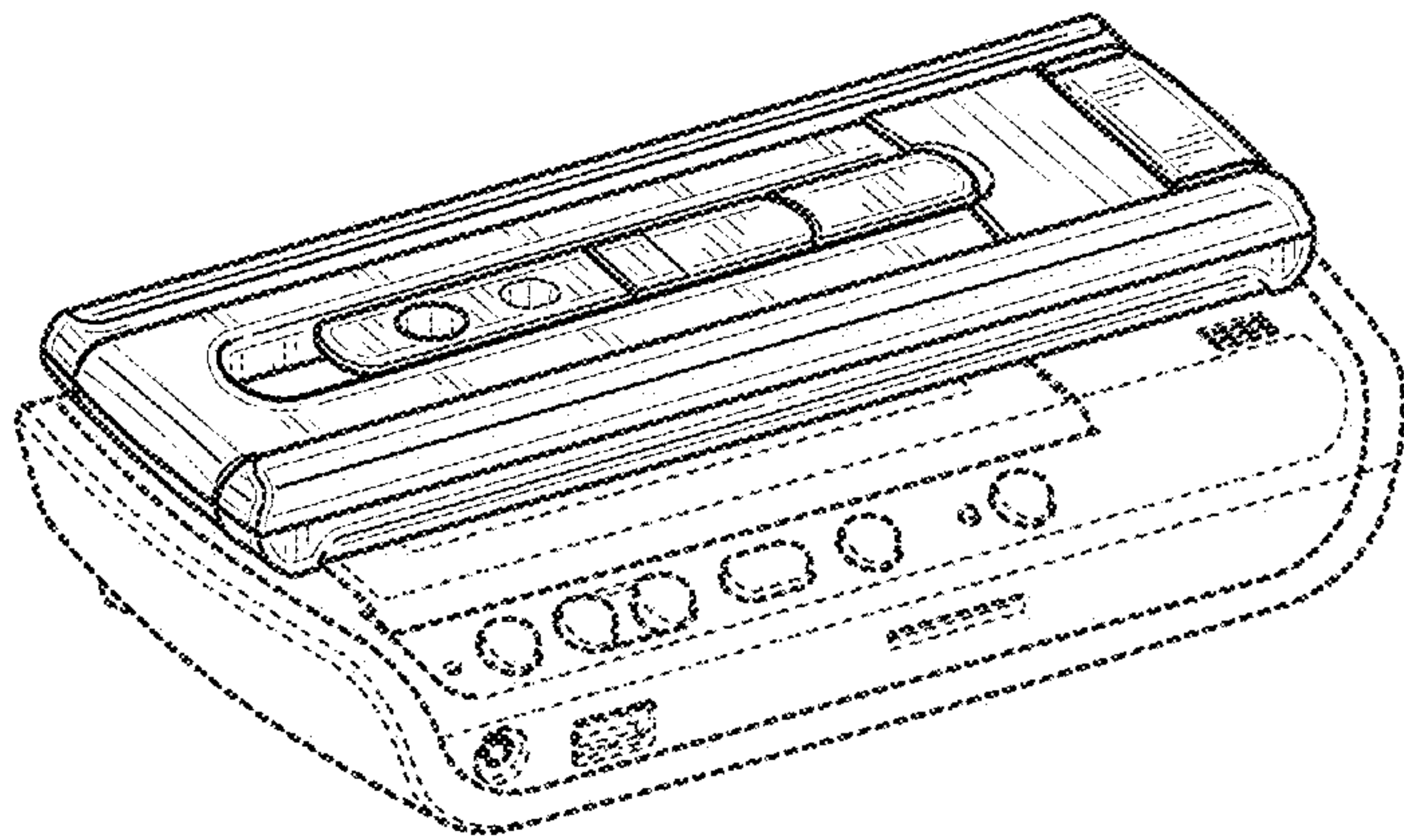


FIG. 8

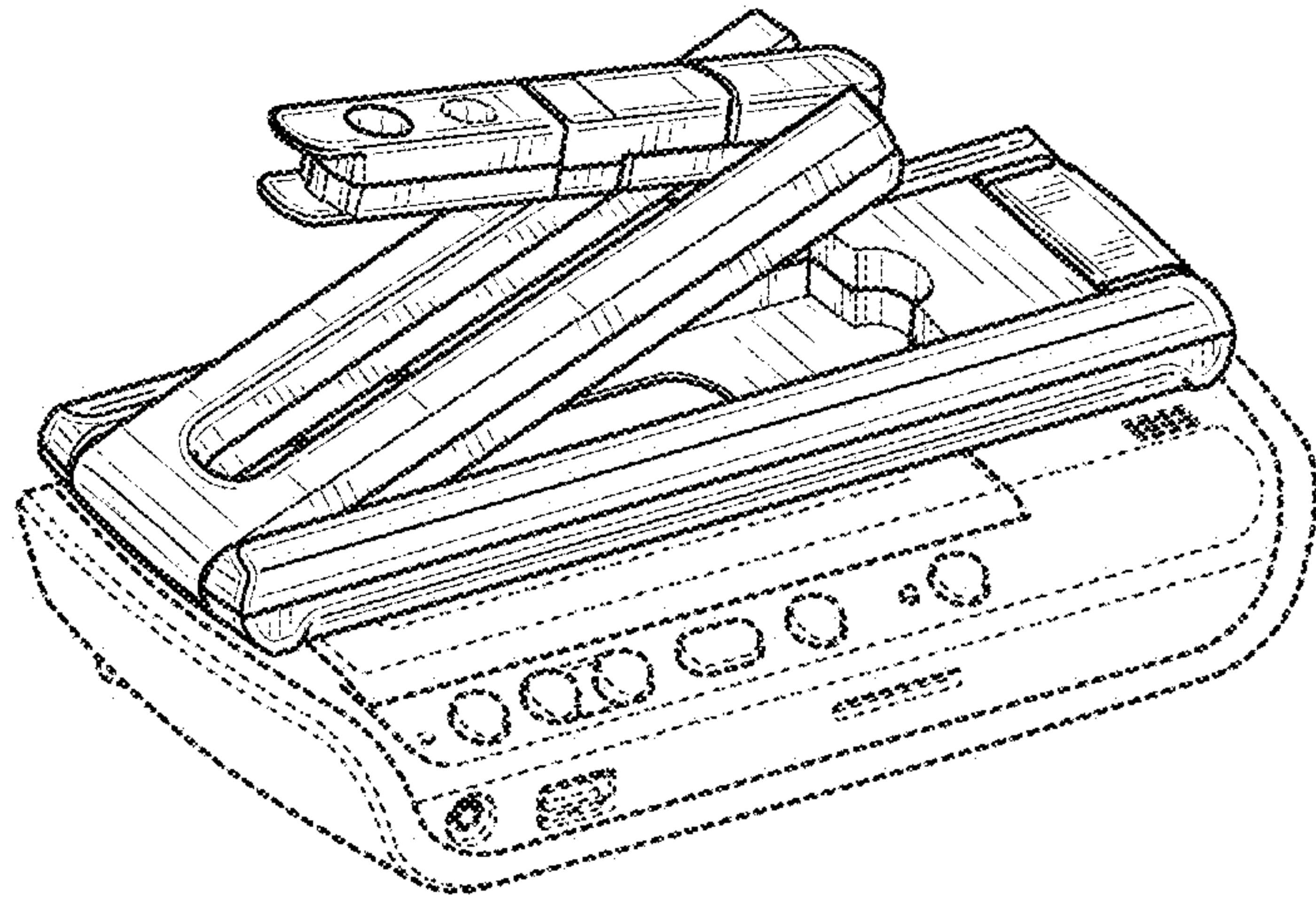


FIG. 9

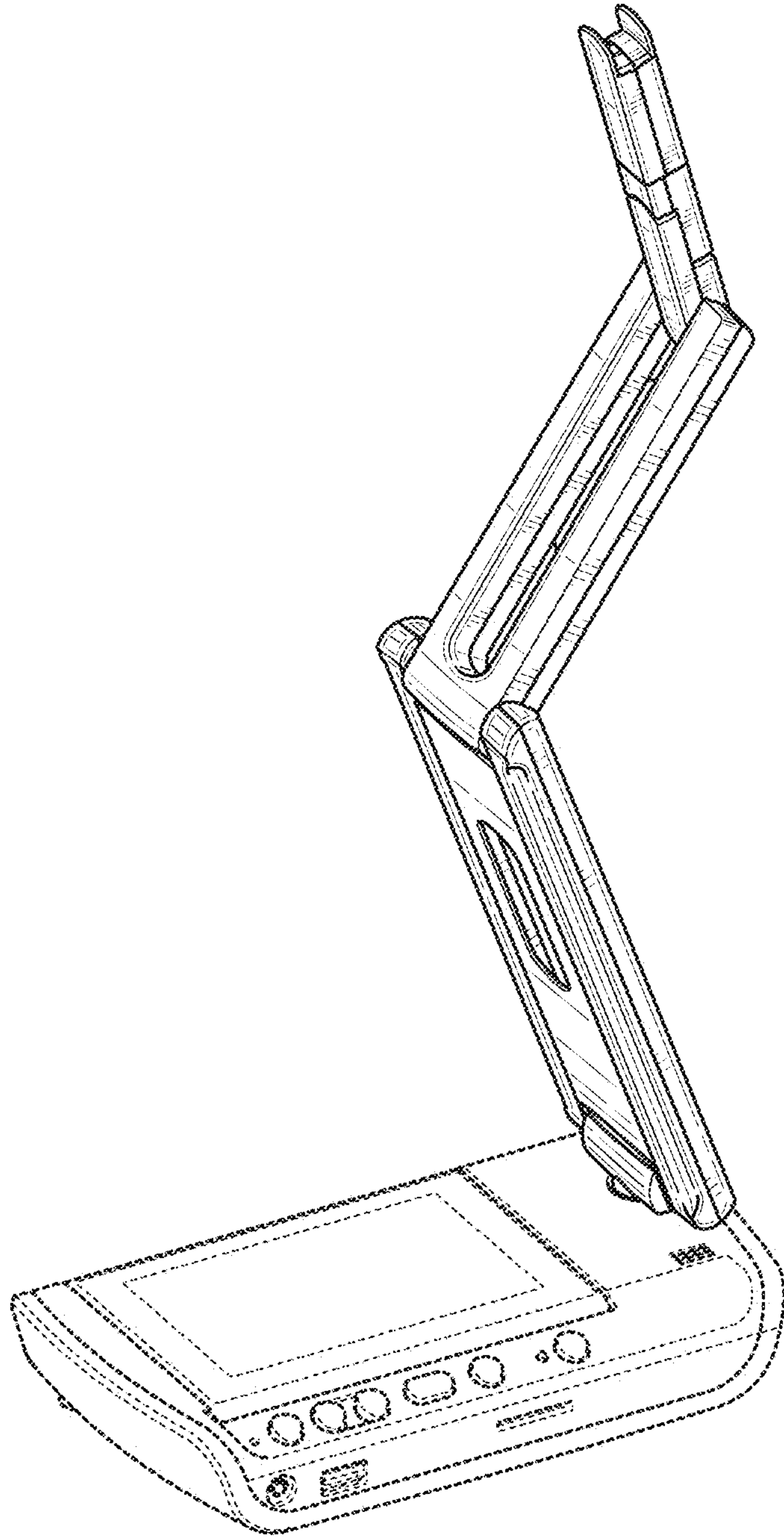


FIG. 10

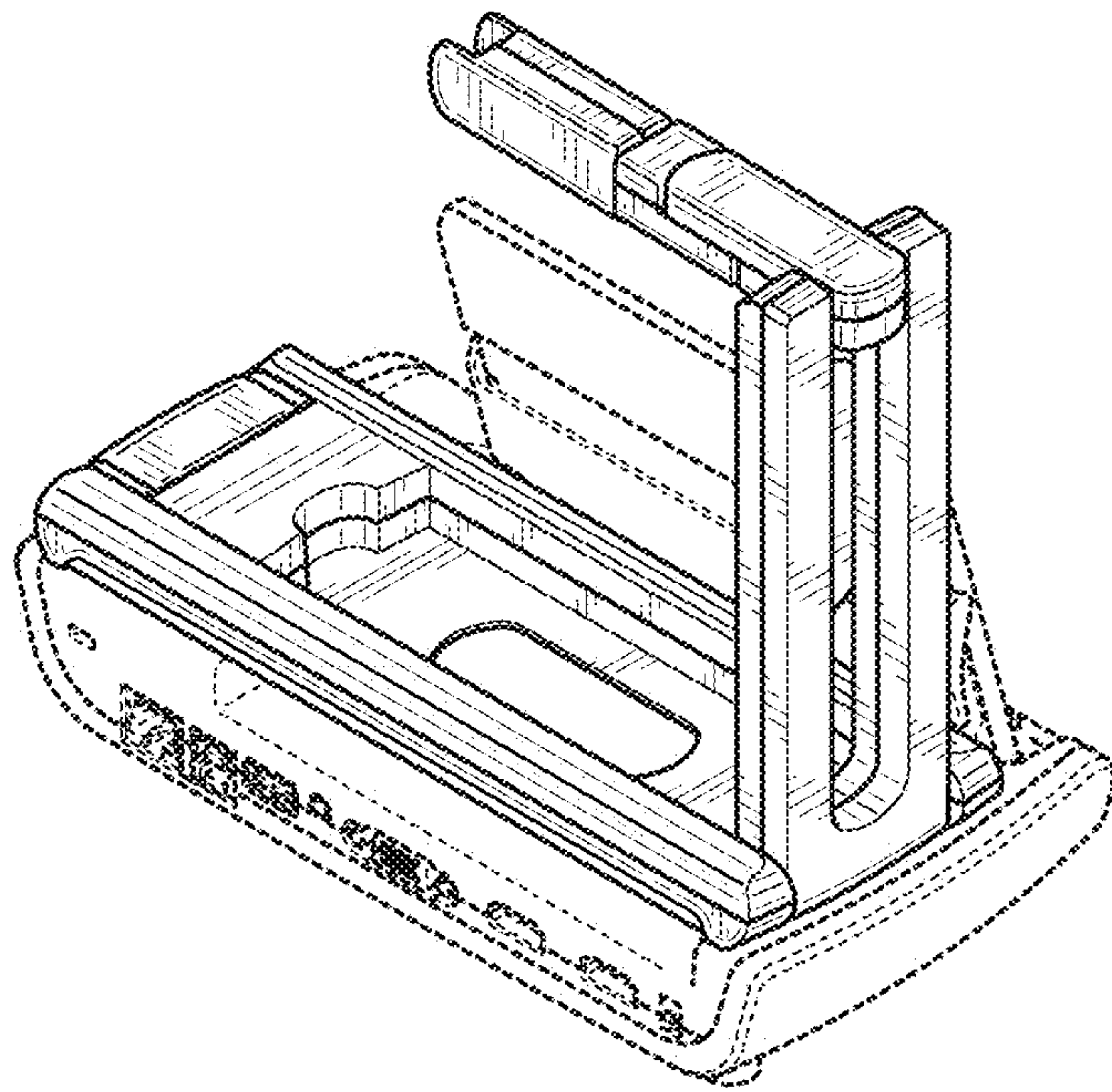


FIG. 11