



US00D892188S

(12) **United States Design Patent**  
**Galluzzo et al.**

(10) **Patent No.:** **US D892,188 S**

(45) **Date of Patent:** **\*\* Aug. 4, 2020**

- (54) **AUTONOMOUS MOBILE ROBOT**
- (71) Applicants: **Thomas Galluzzo**, Gibsonia, PA (US);  
**Vladimir Altman**, Pittsburgh, PA (US)
- (72) Inventors: **Thomas Galluzzo**, Gibsonia, PA (US);  
**Vladimir Altman**, Pittsburgh, PA (US)
- (73) Assignee: **IAM Robotics, LLC**, Sewickley, PA  
(US)
- (\*\*) Term: **15 Years**
- (21) Appl. No.: **29/686,593**
- (22) Filed: **Apr. 5, 2019**
- (51) **LOC (12) Cl.** ..... **15-99**
- (52) **U.S. Cl.**  
USPC ..... **D15/199; D34/34**
- (58) **Field of Classification Search**  
USPC ..... D15/199; D21/578-583, 621, 622;  
D32/21; D34/34  
CPC ..... B23K 9/133; B23K 9/287; B25J 9/0018;  
B25J 19/0025; Y10T 74/20; Y10T  
74/20207; Y10T 74/20311; Y10T  
74/20305; Y10S 901/01  
See application file for complete search history.

- (56) **References Cited**  
U.S. PATENT DOCUMENTS  
4,137,984 A \* 2/1979 Jennings ..... B62D 1/28  
180/168  
4,496,274 A \* 1/1985 Pipes ..... B60L 15/2036  
414/340  
4,657,463 A \* 4/1987 Pipes ..... B62D 1/24  
180/167  
D295,105 S \* 4/1988 Dawson ..... D34/18  
5,658,120 A \* 8/1997 Watanabe ..... B23Q 7/1436  
414/495  
D468,884 S \* 1/2003 Ito ..... D34/12  
7,066,291 B2 6/2006 Martins et al.

- D712,447 S \* 9/2014 He ..... D15/199
- 9,050,723 B1 6/2015 Elazary et al.
- D735,258 S \* 7/2015 Jang ..... D15/199
- 9,120,622 B1 9/2015 Elazary et al.
- D743,647 S \* 11/2015 Heck ..... D32/21
- D745,144 S \* 12/2015 Aylmer ..... D24/128
- D759,623 S \* 6/2016 Dahlberg ..... D10/30
- 9,758,305 B2 9/2017 Johnson et al.
- 9,776,324 B1 10/2017 Johnson et al.
- D810,799 S \* 2/2018 Sokuza ..... D15/199
- D812,663 S \* 3/2018 Waters ..... D15/199
- D819,711 S \* 6/2018 Li ..... D15/199
- 10,001,768 B2 6/2018 Johnson et al.
- D822,736 S \* 7/2018 Kato ..... D15/199
- 10,040,194 B1 8/2018 Theobald
- 10,048,697 B1 8/2018 Theobald
- D837,852 S \* 1/2019 Nilsson ..... D15/199
- D837,855 S \* 1/2019 Chen ..... D15/199

(Continued)

*Primary Examiner* — Patricia A Palasik  
(74) *Attorney, Agent, or Firm* — Dentons Cohen & Grisby P.C.

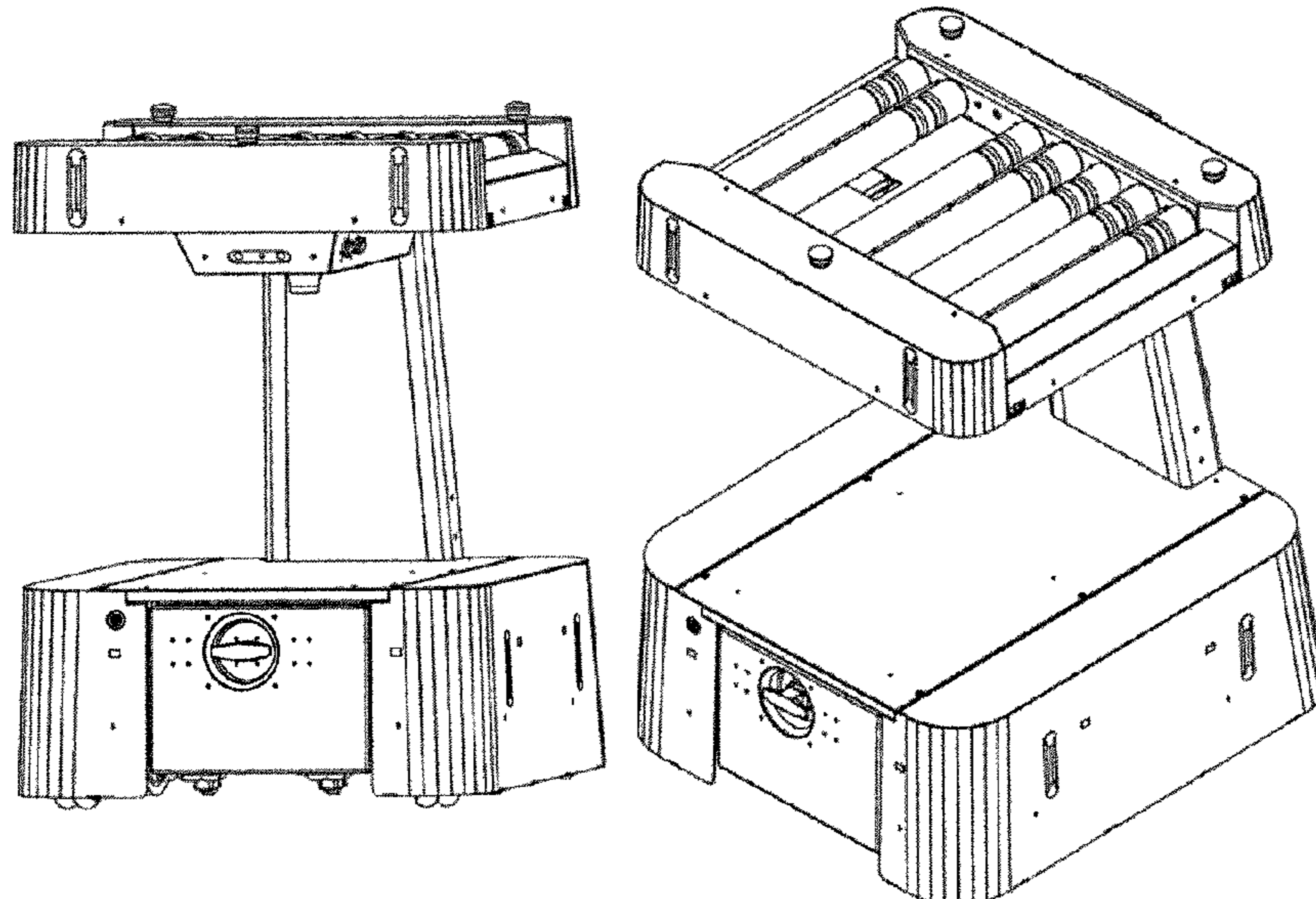
(57) **CLAIM**

The ornamental design for an autonomous mobile robot, as shown and described.

**DESCRIPTION**

- FIG. 1 is a front perspective view of the autonomous mobile robot.
- FIG. 2 is a top perspective view of the autonomous mobile robot.
- FIG. 3 is a bottom perspective view of the autonomous mobile robot.
- FIG. 4 is front view of the autonomous mobile robot.
- FIG. 5 is rear view of the autonomous mobile robot.
- FIG. 6 is left side view of the autonomous mobile robot.
- FIG. 7 is right side view of the autonomous mobile robot.
- FIG. 8 is top view of the autonomous mobile robot; and,
- FIG. 9 is a bottom view of the autonomous mobile robot.

**1 Claim, 9 Drawing Sheets**



(56)

**References Cited**

U.S. PATENT DOCUMENTS

D839,331	S *	1/2019	Nilsson .....	D15/199
D841,067	S *	2/2019	Camporesi .....	D15/199
D841,711	S *	2/2019	Liu .....	D15/199
D843,428	S *	3/2019	Gee .....	D15/199
D849,813	S *	5/2019	Sutherland .....	D15/199
D856,389	S *	8/2019	Gayne .....	D15/199
D857,073	S *	8/2019	Gayne .....	D15/199
D871,475	S *	12/2019	Kolb .....	D15/199
D871,476	S *	12/2019	Kolb .....	D15/199
D876,278	S *	2/2020	Sokuza .....	D12/16.1
2009/0035181	A1 *	2/2009	Chung .....	A61B 5/00 422/68.1
2011/0135189	A1 *	6/2011	Lee .....	B25J 9/1682 382/153
2014/0074287	A1 *	3/2014	LaFary .....	B25J 9/1676 700/253
2015/0073589	A1	3/2015	Khodl et al.	
2015/0088359	A1 *	3/2015	Choi .....	G05D 1/0225 701/23
2017/0183157	A9	6/2017	Massey	
2017/0336780	A1	11/2017	Wise et al.	
2017/0337506	A1	11/2017	Wise et al.	
2018/0122032	A1	5/2018	Asaria et al.	
2018/0319593	A1	11/2018	Hamilton et al.	

\* cited by examiner

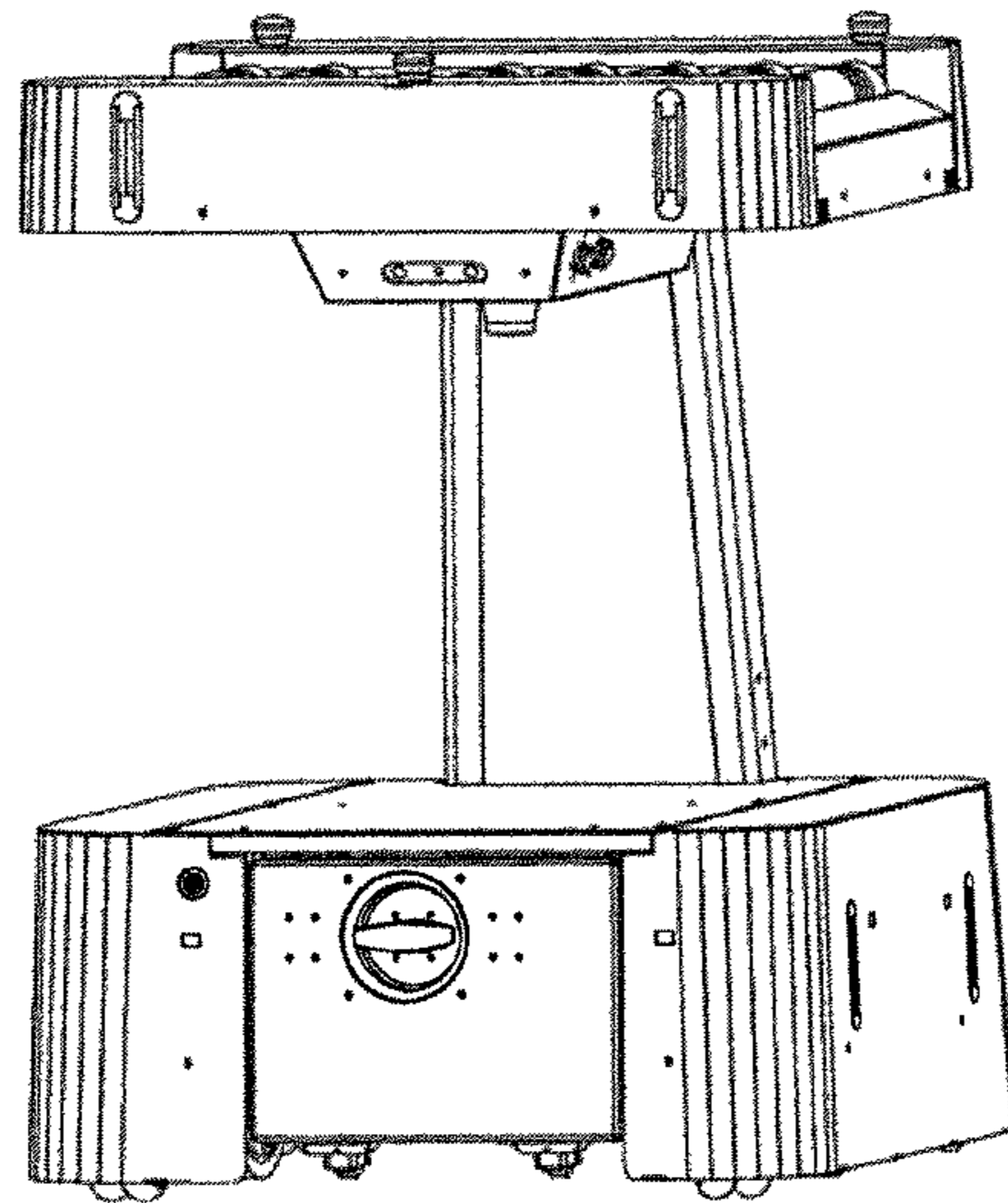


FIG. 1

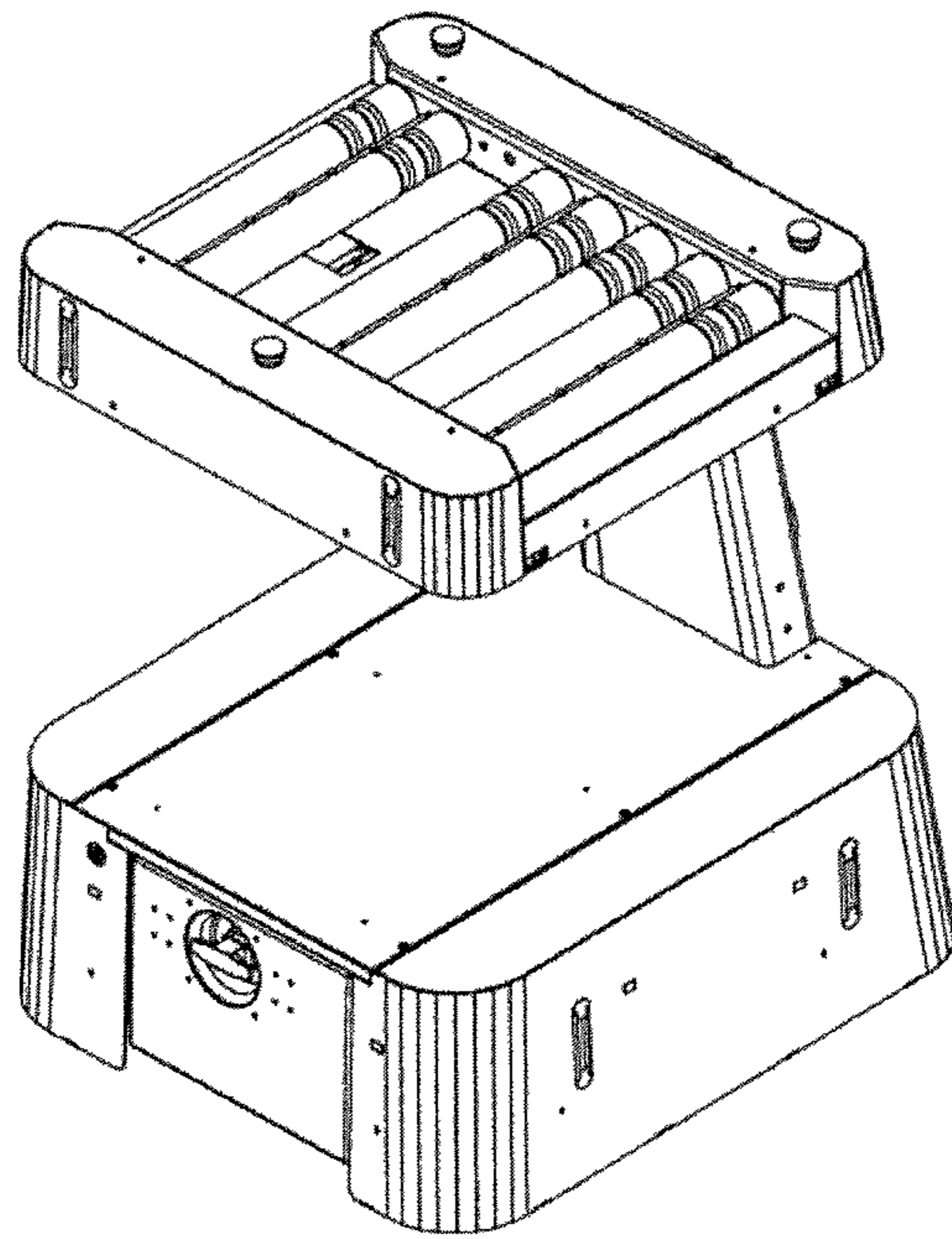


FIG. 2

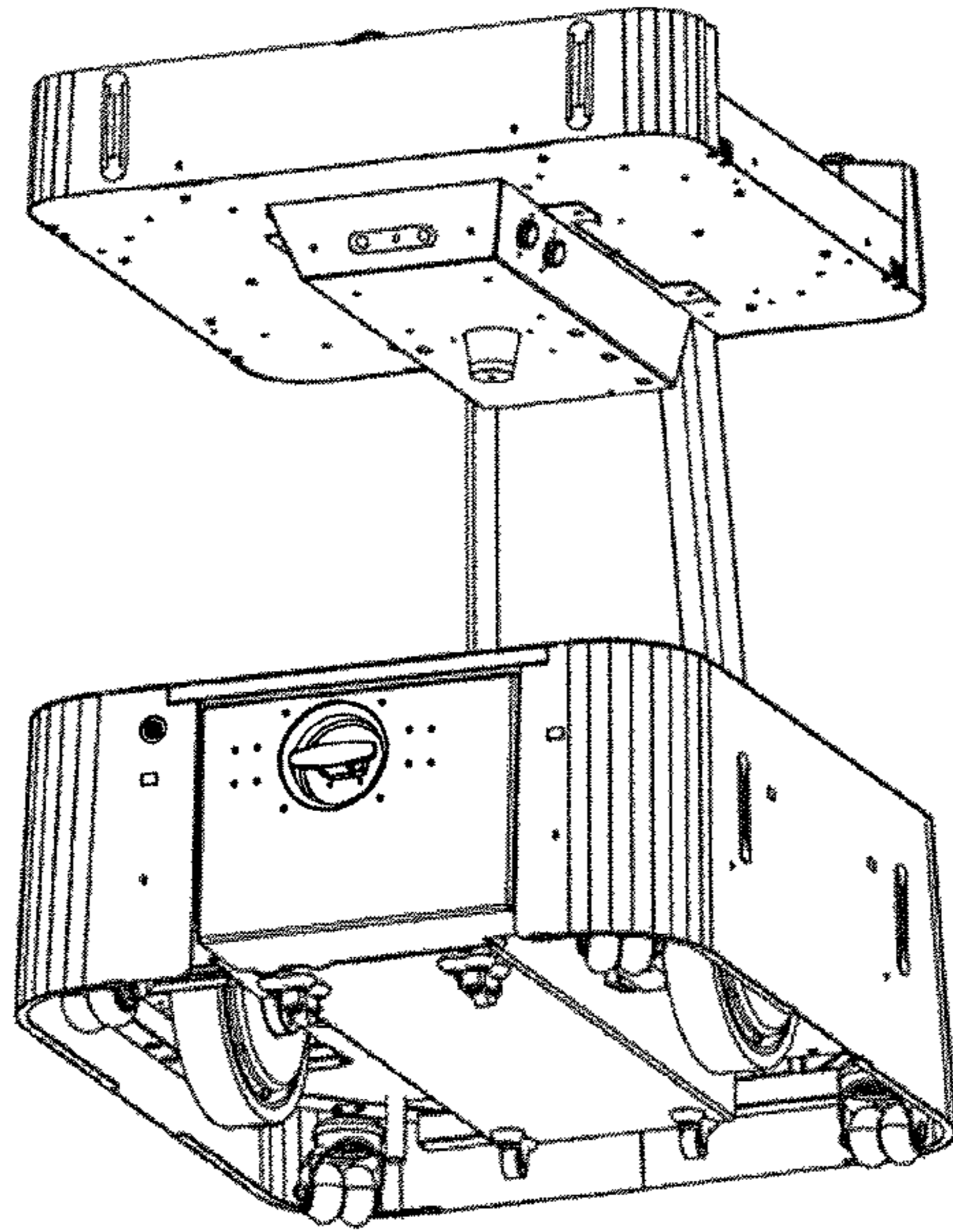


FIG. 3

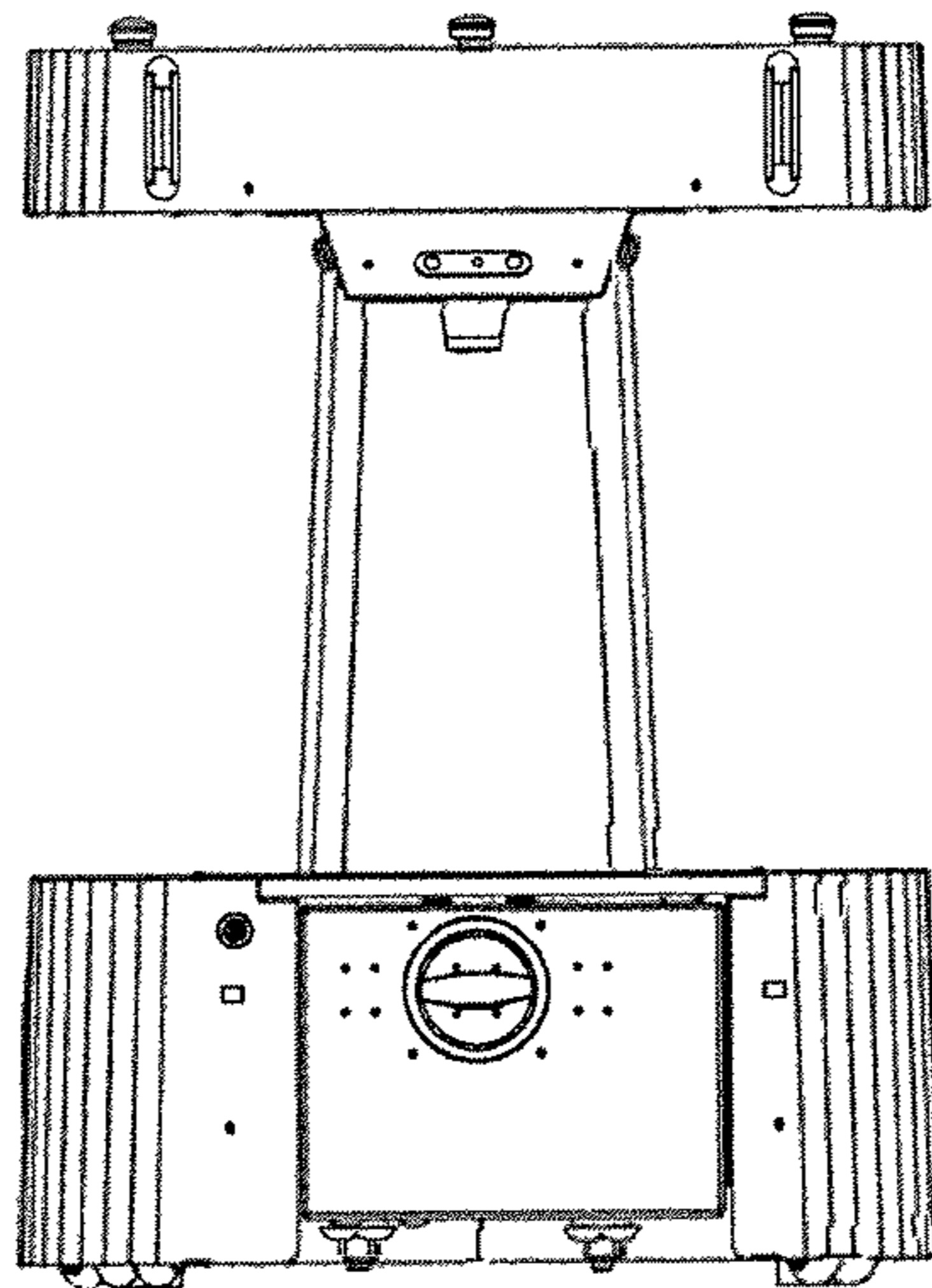


FIG. 4

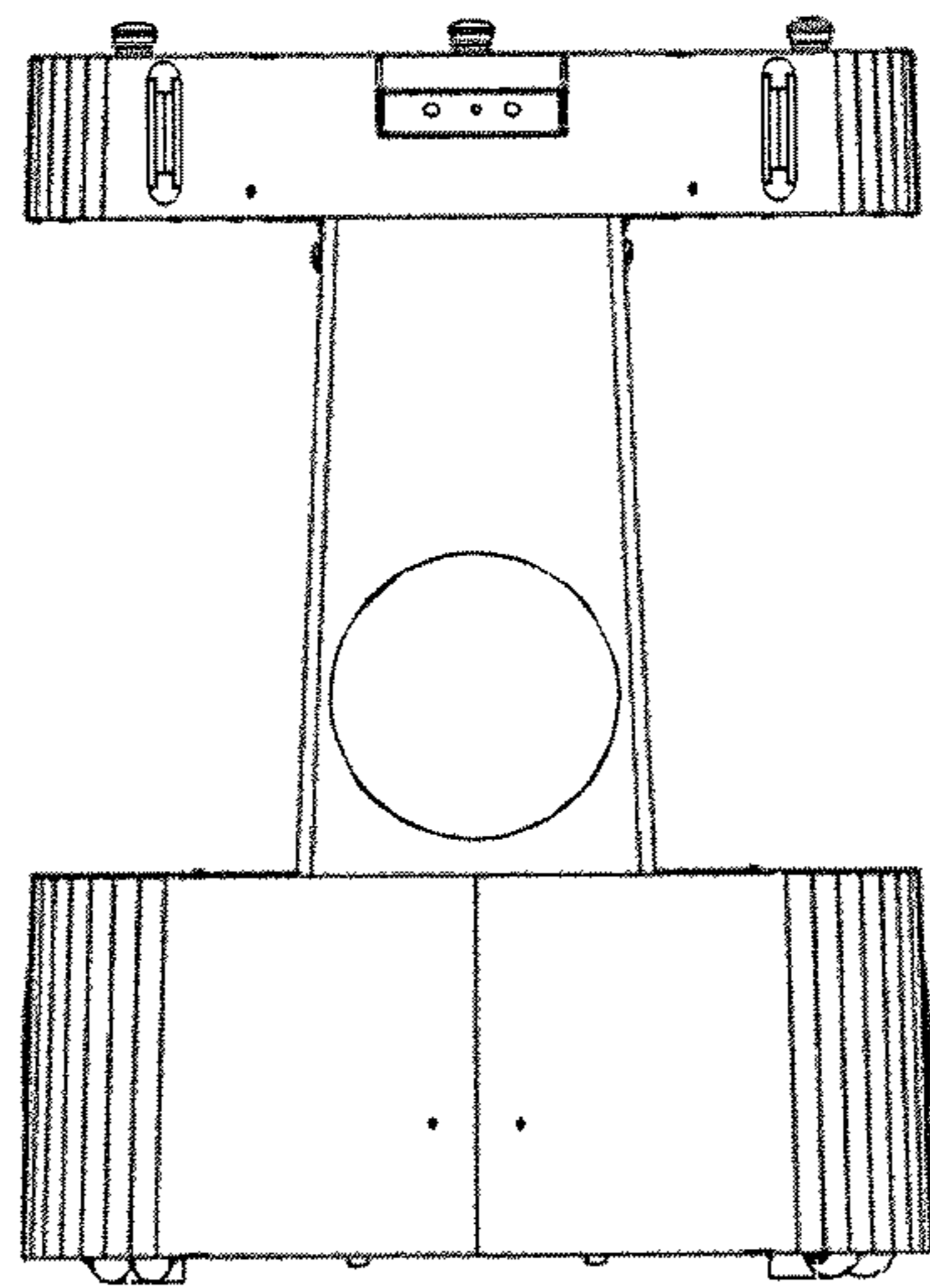


FIG. 5

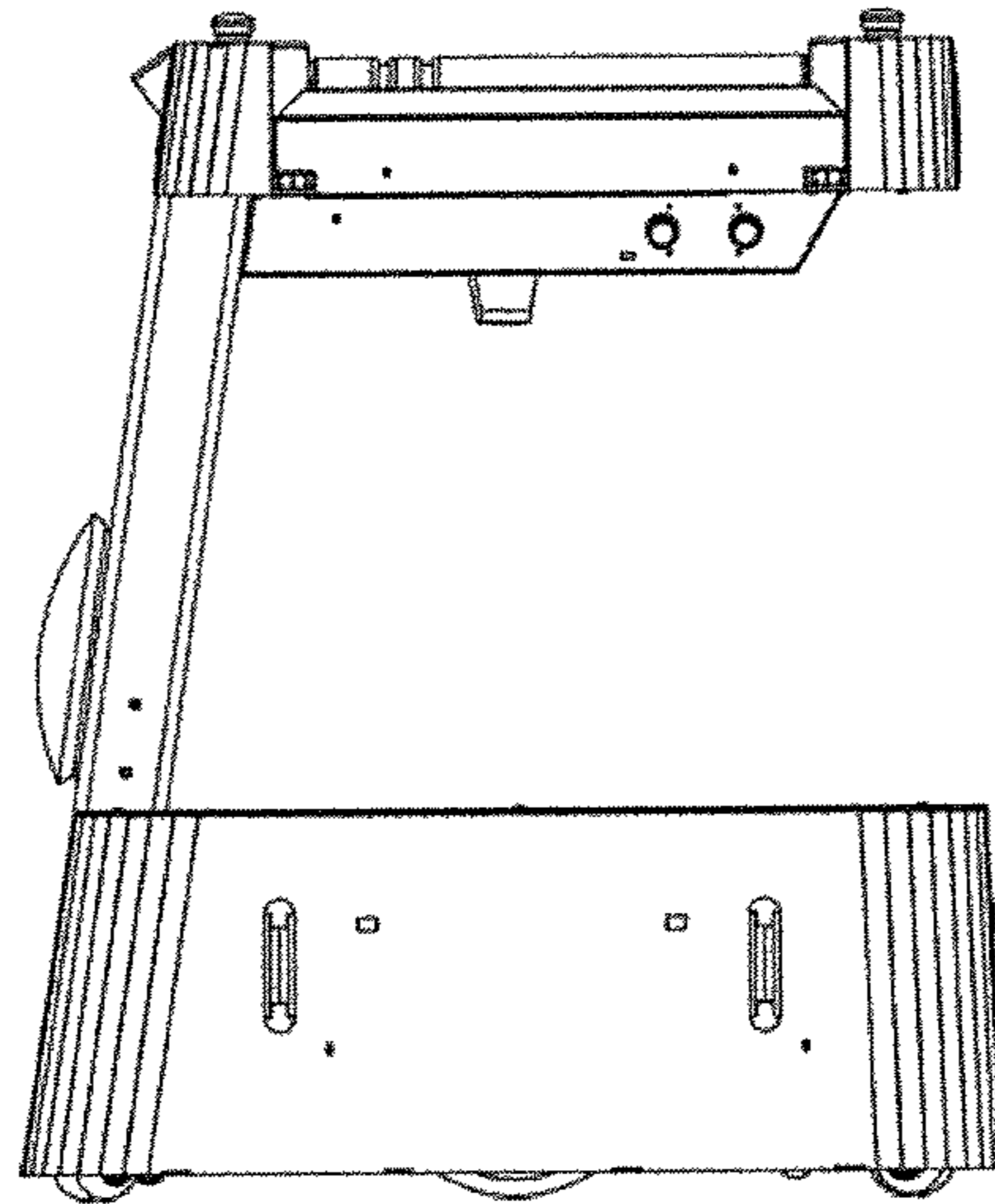


FIG. 6



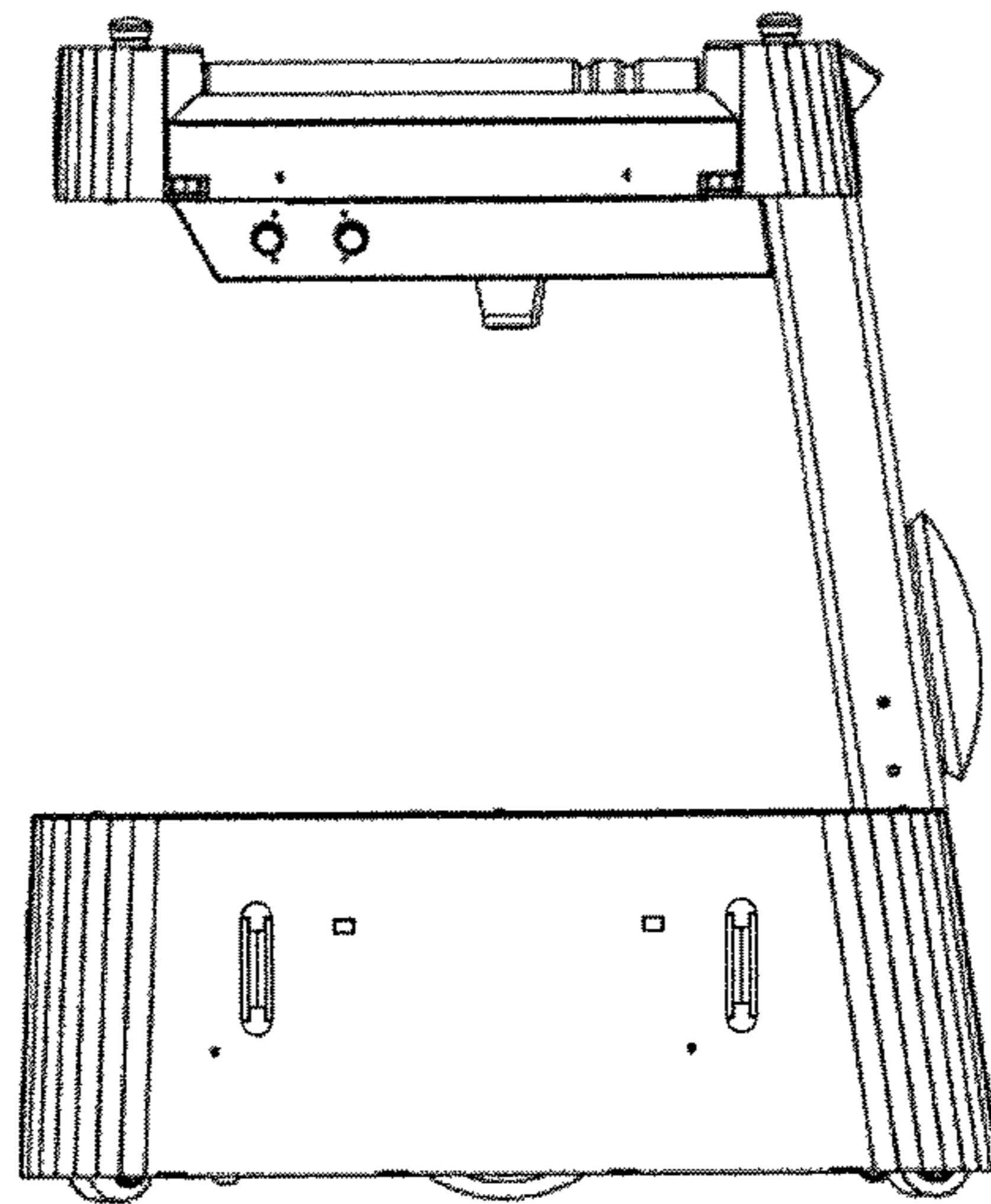


FIG. 7

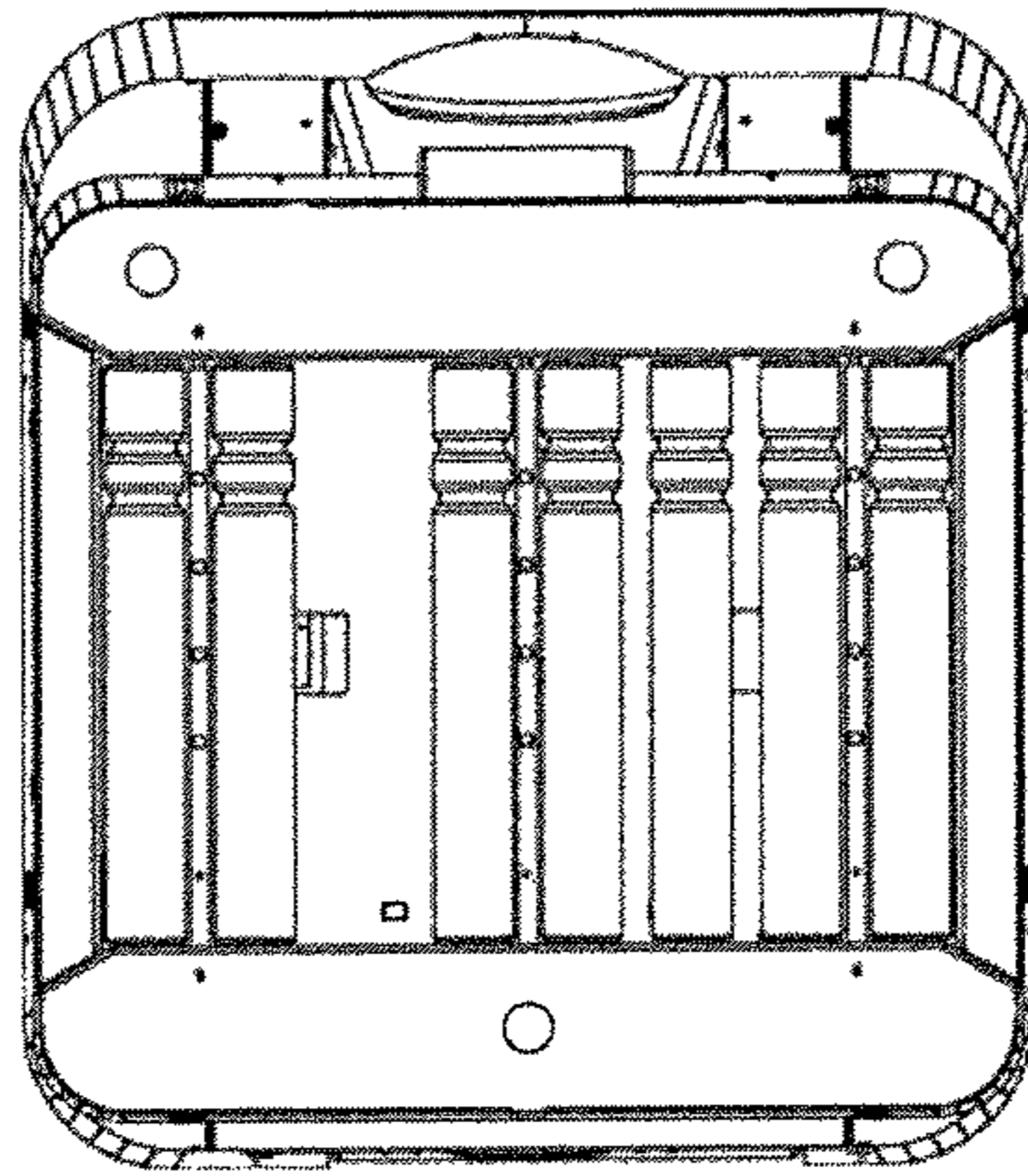


FIG. 8

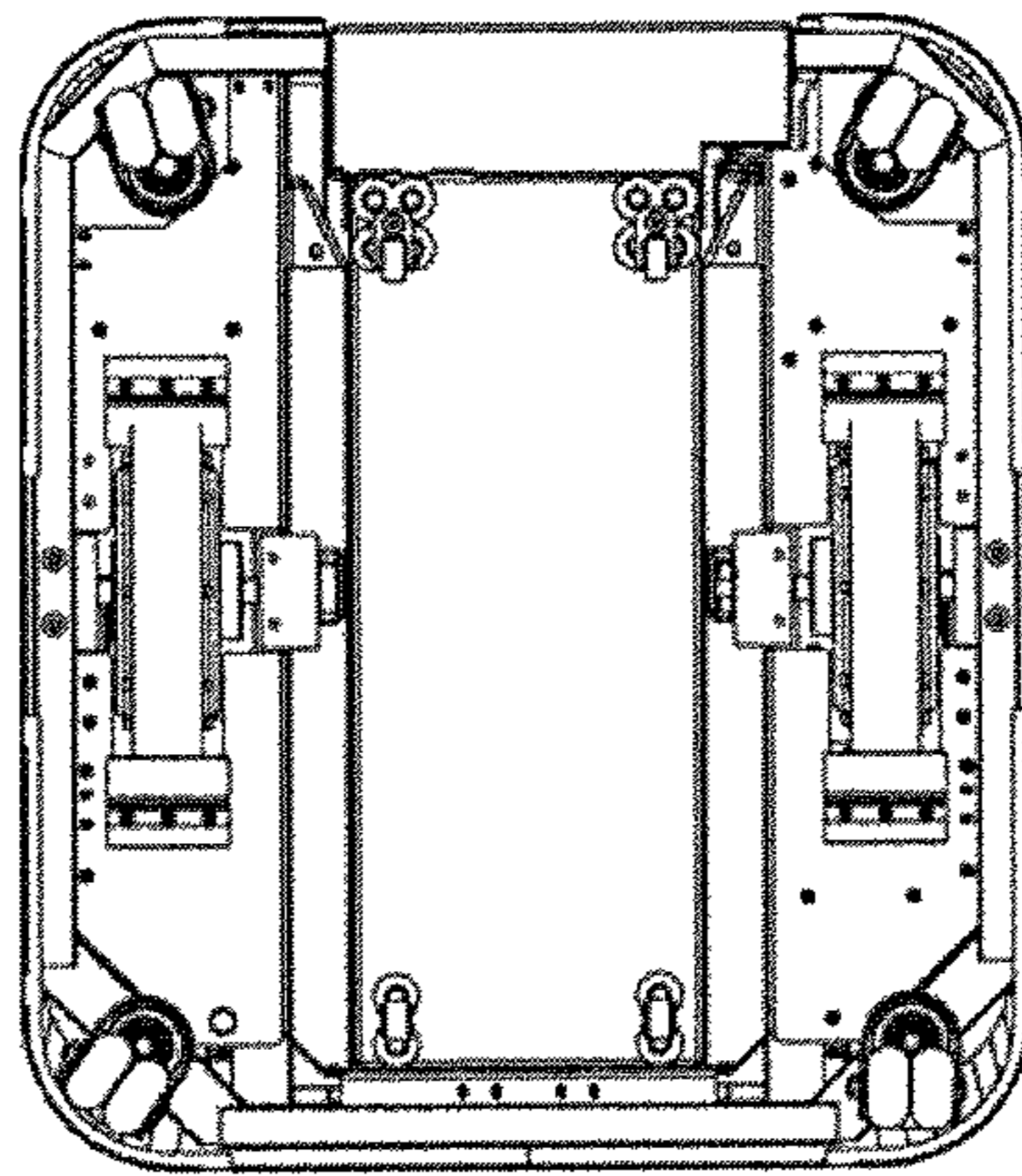


FIG. 9