



US00D892187S

(12) **United States Design Patent** (10) **Patent No.:** **US D892,187 S**
Maggard (45) **Date of Patent:** **** Aug. 4, 2020**

(54) **ROBOTIC MOWER**

(56) **References Cited**

(71) Applicant: **MTD Products Inc**, Valley City, OH (US)

U.S. PATENT DOCUMENTS

(72) Inventor: **Jay E. Maggard**, Polk, OH (US)

5,204,814	A	4/1993	Noonan et al.
6,321,515	B1	11/2001	Colens
6,327,741	B1	12/2001	Reed
6,339,735	B1	1/2002	Peless et al.
6,493,613	B2	12/2002	Peless et al.
D489,381	S *	5/2004	Mistry D15/23
7,079,923	B2	7/2006	Abramson et al.
D527,772	S *	9/2006	Bowen D21/533
7,444,206	B2	10/2008	Abramson et al.
7,613,543	B2	11/2009	Petersson et al.
7,668,631	B2	2/2010	Bernini
7,729,801	B2	6/2010	Abramson
7,769,490	B2	8/2010	Abramson et al.

(73) Assignee: **MTD PRODUCTS INC**, Valley City, OH (US)

(**) Term: **15 Years**

(21) Appl. No.: **29/671,880**

(Continued)

(22) Filed: **Nov. 30, 2018**

FOREIGN PATENT DOCUMENTS

(51) **LOC (12) Cl.** **15-03**

(52) **U.S. Cl.**
USPC **D15/199**

EP	2648307	A1	10/2013
EP	2656718	A1	10/2013
EP	2852029	A1	3/2015

(58) **Field of Classification Search**

USPC D15/199, 14, 17, 18, 23
CPC A01D 2101/00; A01D 34/008; A01D 34/824; A01D 34/64; A01D 34/78; A01D 69/02; A01D 34/6806; A01D 34/74; A01D 34/828; A01D 2034/6843; A01D 34/006; A01D 34/661; A01D 34/67; A01D 34/68; A01D 34/73; A01D 34/76; A01D 34/81; A01D 34/82; A01D 34/866; A01D 43/10; A01D 69/10; A01D 75/008; A01D 2034/6825; A01D 34/00; A01D 34/001; A01D 34/032; A01D 34/30; A01D 34/404; A01D 34/66; A01D 34/662; A01D 34/668; A01D 34/84; A01D 34/86; A01D 41/127; A01D 41/142; A01D 42/04; A01D 43/04; A01D 43/102; A01D 43/105; A01D 46/00; A01D 57/28; A01D 67/00; A01D 69/025; A01D 69/06; A01D 69/08; A01D 75/006; A01D 75/20; A01D 75/28; A01D 78/14; A01D 89/002; A01D 89/004; A01D 89/008

Primary Examiner — Khawaja Anwar

(74) *Attorney, Agent, or Firm* — Wegman Hessler

(57) **CLAIM**

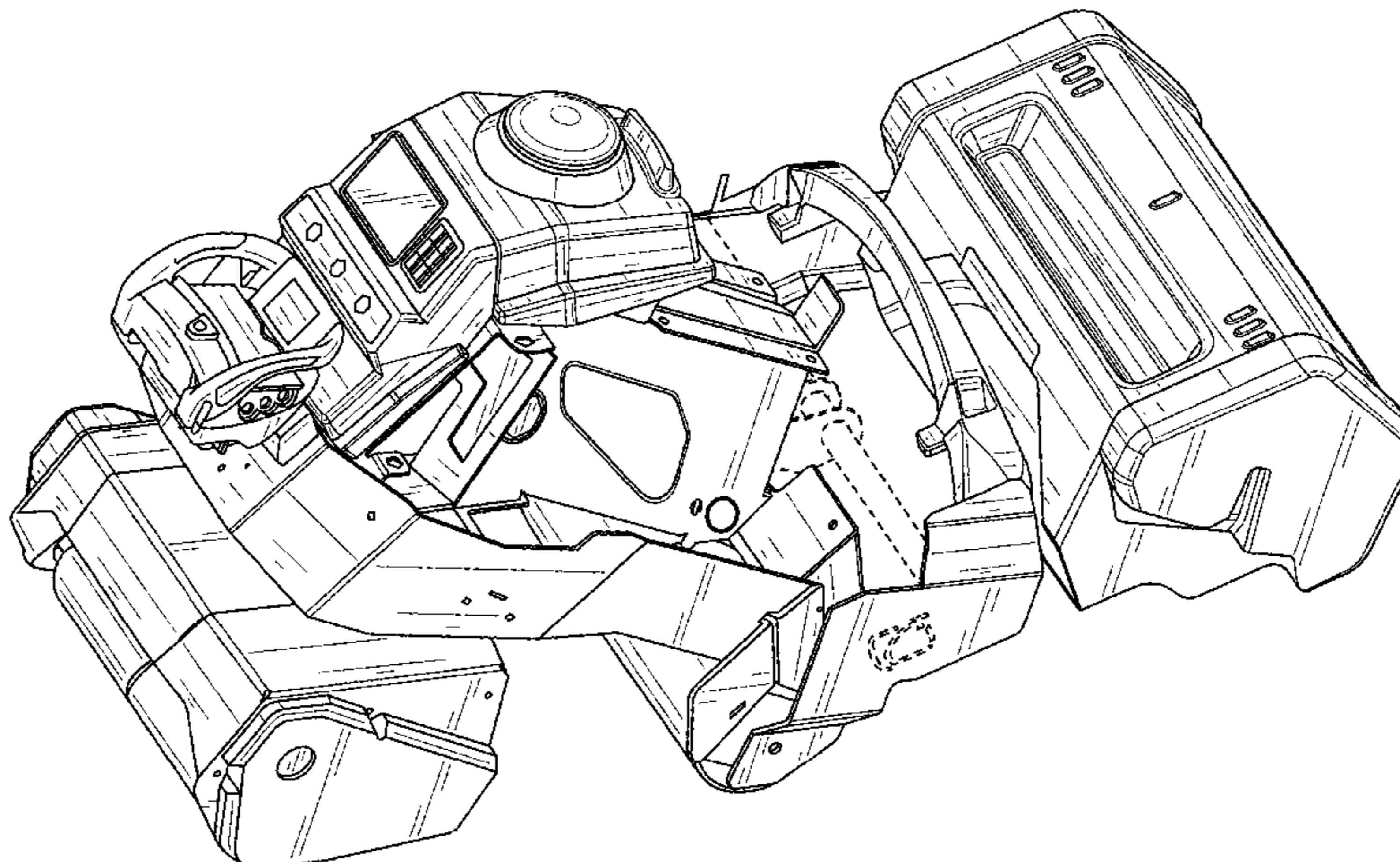
The ornamental design for a robotic mower, as shown and described.

DESCRIPTION

FIG. 1 is a top perspective view of a robotic mower showing my new design;
FIG. 2 is a front view thereof;
FIG. 3 is a rear view thereof;
FIG. 4 is a left side view thereof;
FIG. 5 is a right side view thereof;
FIG. 6 is a top view; and,
FIG. 7 is a bottom view.

(Continued)

See application file for complete search history.



The broken lines shown in the drawings are for the purpose of illustrating portions of the article that form no part of the claimed design.

1 Claim, 7 Drawing Sheets

(56)

References Cited

U.S. PATENT DOCUMENTS

D639,351 S * 6/2011 Newmayer D21/533
 8,046,103 B2 10/2011 Abramson et al.
 8,239,992 B2 8/2012 Schnittman et al.
 D679,294 S * 4/2013 Tajik D15/14
 D679,295 S * 4/2013 Tajik D15/14
 D681,065 S * 4/2013 Maeda D15/14
 8,428,776 B2 4/2013 Letsky
 8,452,450 B2 5/2013 Dooley et al.
 D688,276 S * 8/2013 Naslund D15/14
 8,532,822 B2 9/2013 Abramson et al.
 8,600,582 B2 12/2013 Bernini
 8,676,378 B2 3/2014 Tian et al.
 8,818,602 B2 8/2014 Yamamura et al.
 8,868,237 B2 10/2014 Sandin et al.
 8,983,693 B2 3/2015 Yamamura et al.
 D745,897 S * 12/2015 Mehra D15/14
 D758,455 S 6/2016 Maibach et al.
 D760,806 S 7/2016 Cmich et al.
 D776,169 S 1/2017 Cmich et al.

D777,798 S * 1/2017 Yetkin D15/23
 D781,926 S * 3/2017 Al-Hashimi D15/14
 D782,552 S * 3/2017 Casadio D15/199
 D796,555 S * 9/2017 Landberg D15/14
 D803,765 S * 11/2017 Bei D12/533
 D830,418 S * 10/2018 Naslund D15/14
 D852,232 S * 6/2019 Eidson D15/14
 D853,447 S * 7/2019 Mehra D15/14
 D853,448 S * 7/2019 Mehra D15/14
 D853,449 S * 7/2019 Mehra D15/14
 D855,080 S * 7/2019 Pajevic D15/14
 D861,737 S * 10/2019 Hori D15/23
 D864,256 S * 10/2019 Eidson D15/17
 D866,628 S * 11/2019 Xi D15/199
 2006/0150361 A1 7/2006 Aldred et al.
 2011/0050374 A1* 3/2011 Dvorak A63H 17/42
 335/219
 2011/0234153 A1 9/2011 Abramson
 2012/0088436 A1* 4/2012 Grossman A63H 17/395
 446/454
 2013/0211646 A1 8/2013 Yamamura et al.
 2013/0211647 A1 8/2013 Yamamura et al.
 2013/0317680 A1 11/2013 Yamamura et al.
 2014/0031979 A1 1/2014 Borinato et al.
 2014/0058611 A1 2/2014 Borinato
 2014/0324269 A1 10/2014 Abramson et al.
 2015/0375812 A1* 12/2015 Bernini E04H 4/1654
 180/9.1
 2016/0001829 A1* 1/2016 Albin B62D 55/265
 305/116

* cited by examiner

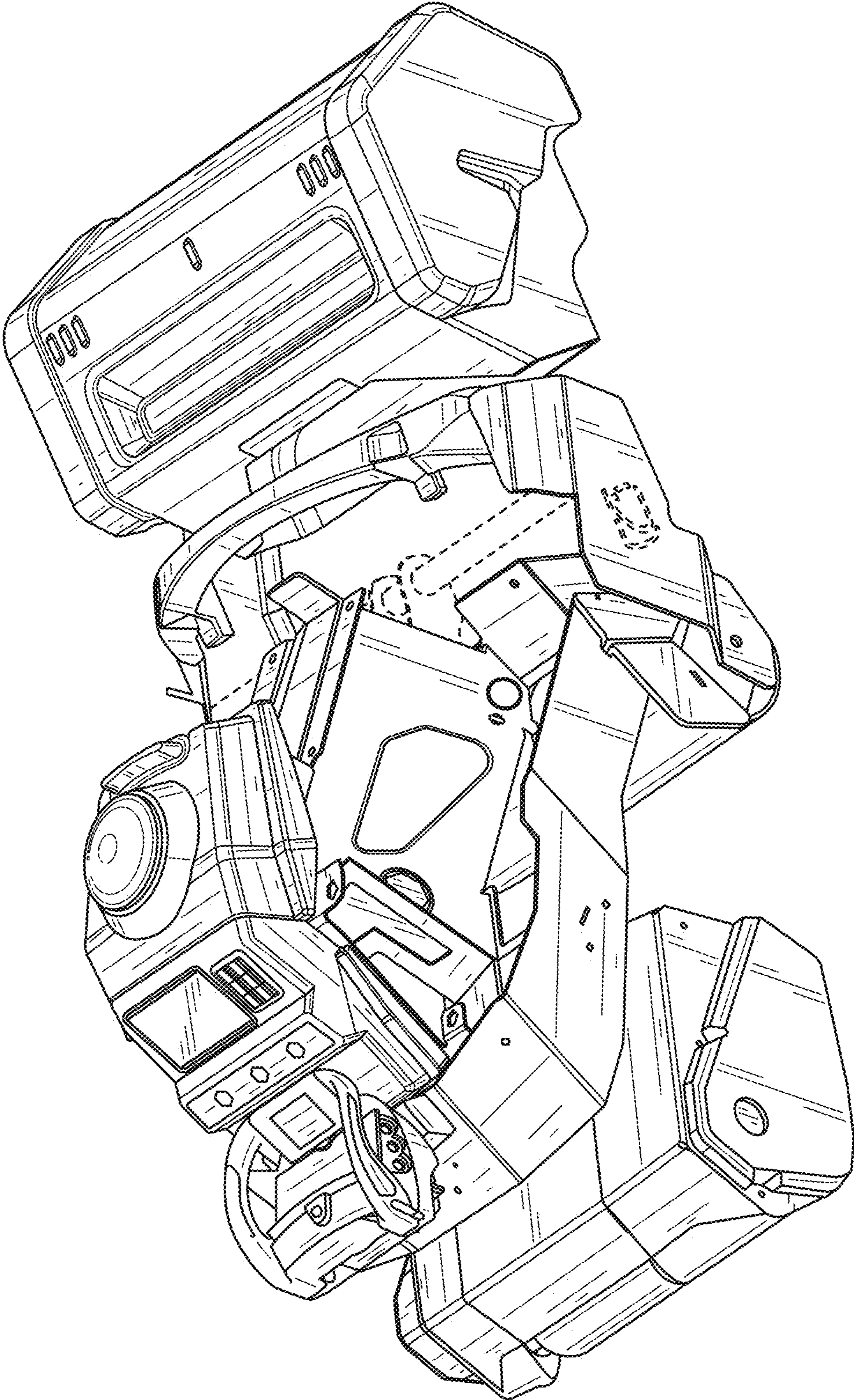


FIG. 1

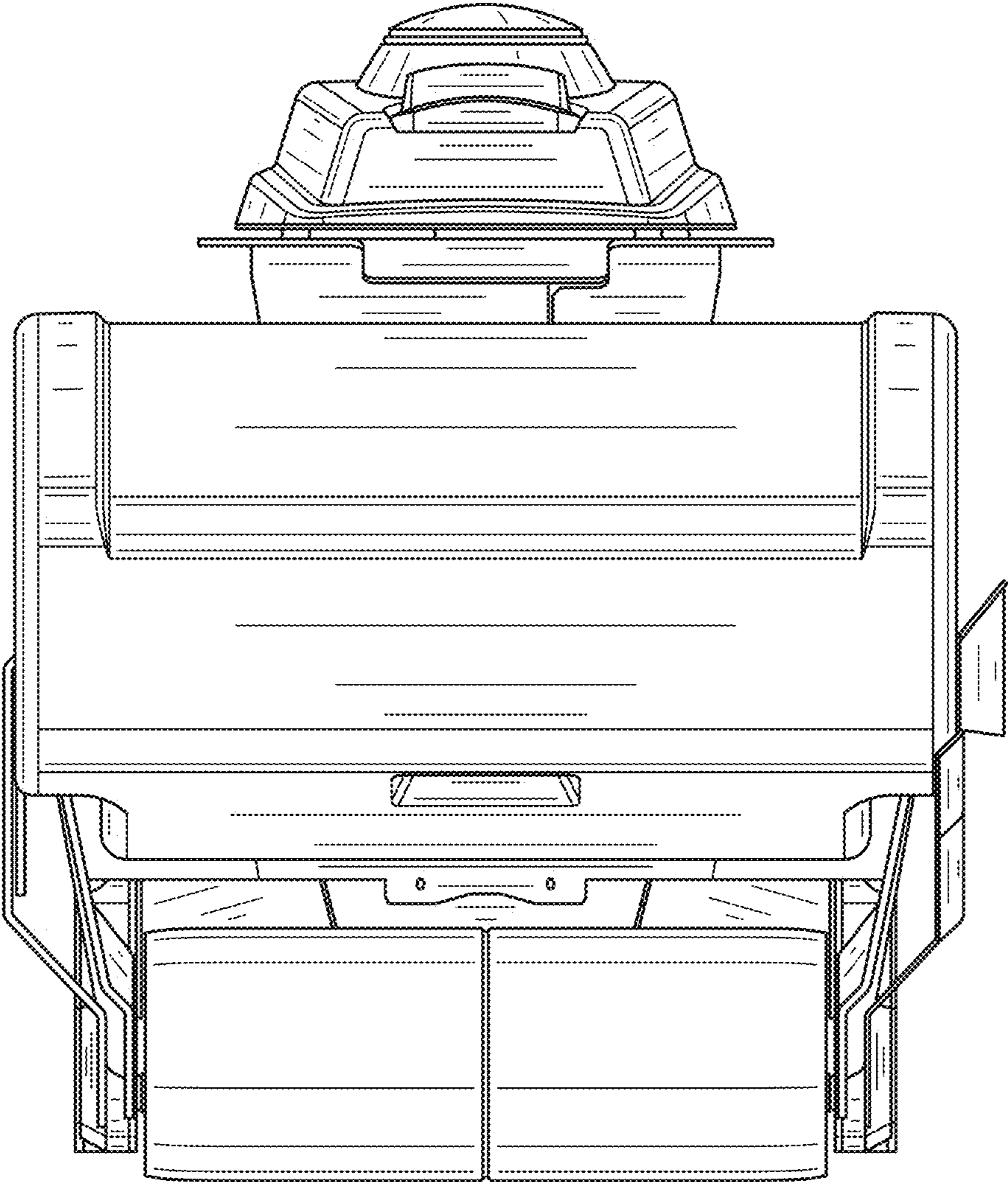


FIG. 2

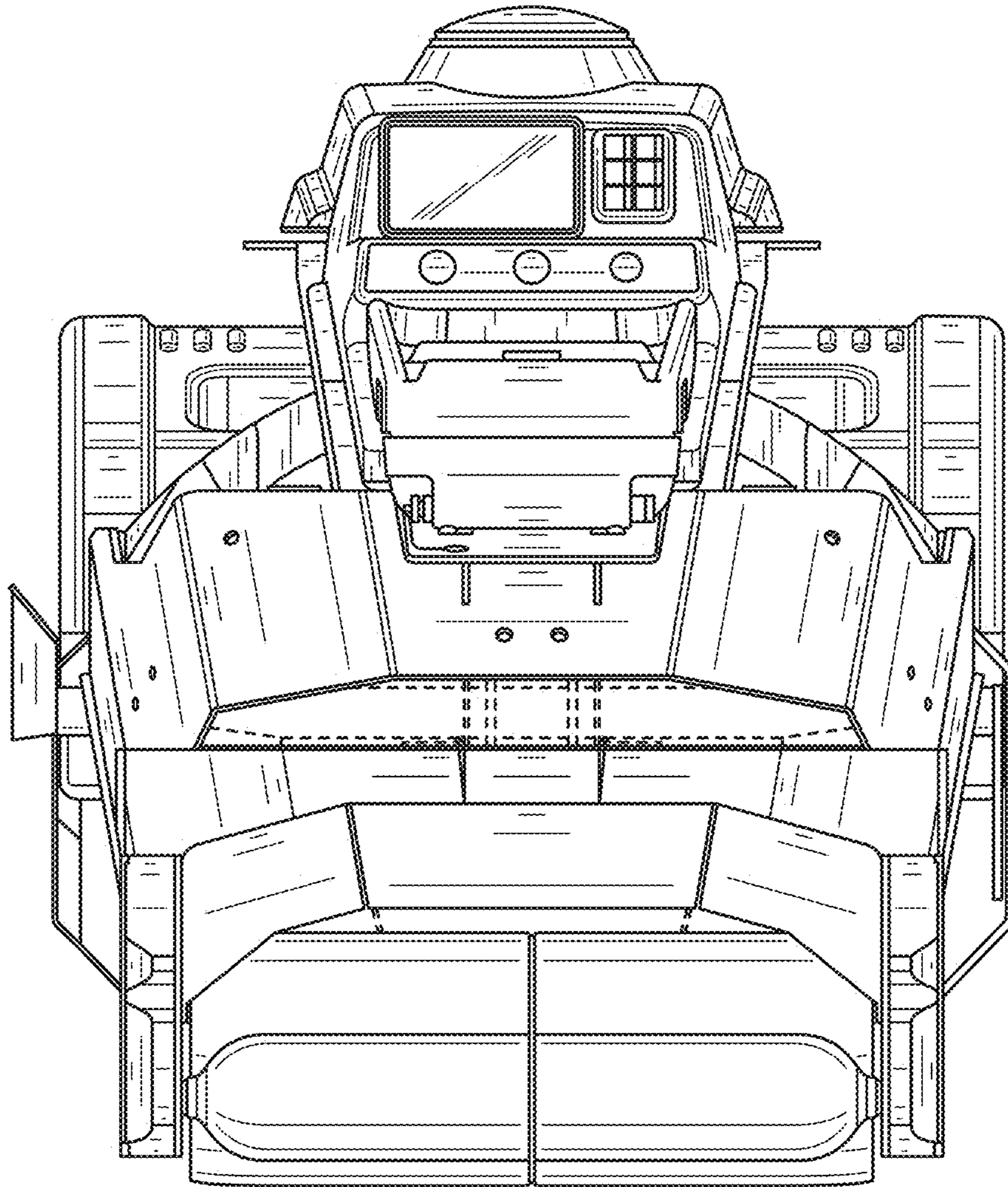


FIG. 3

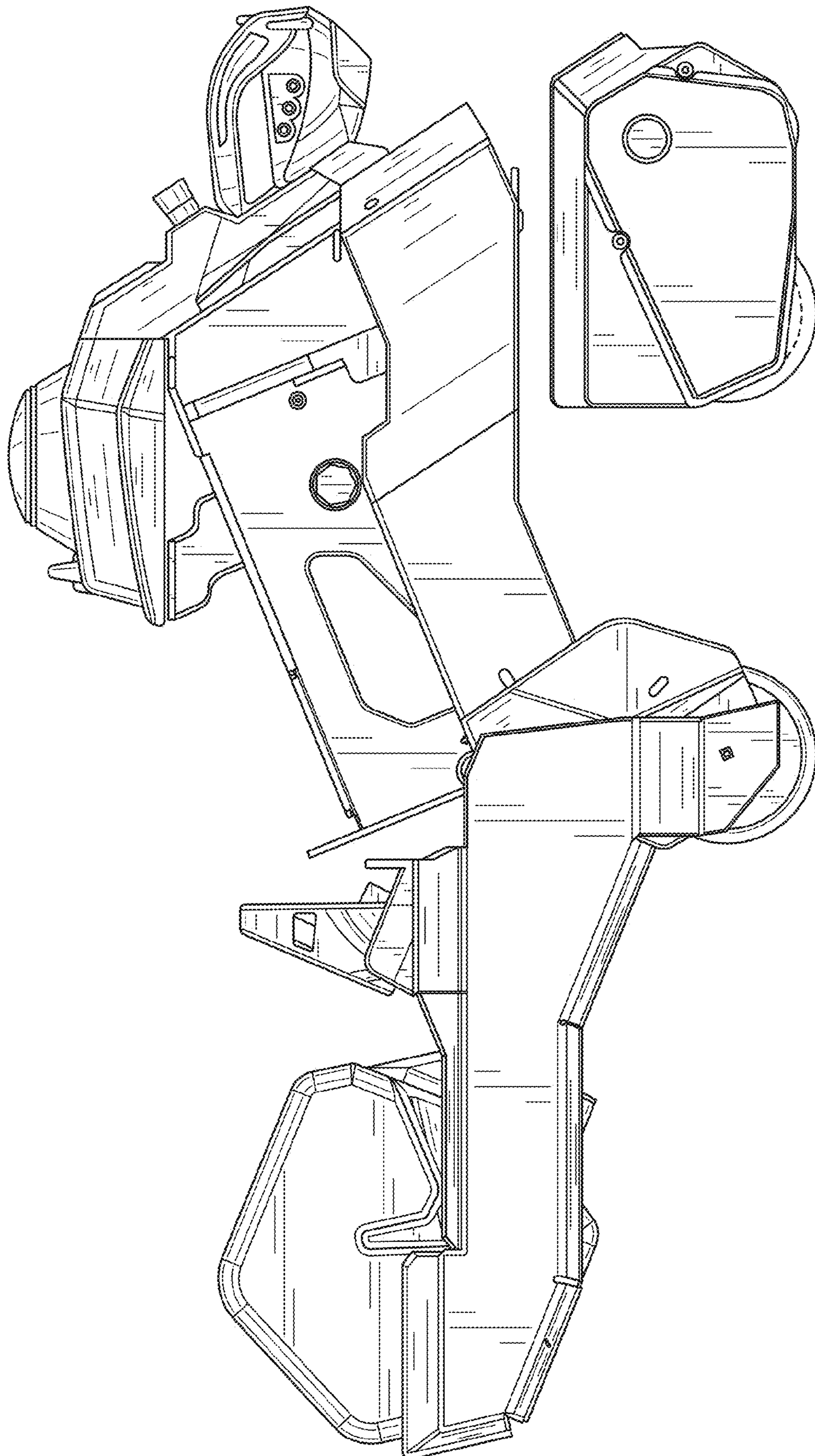


FIG. 4

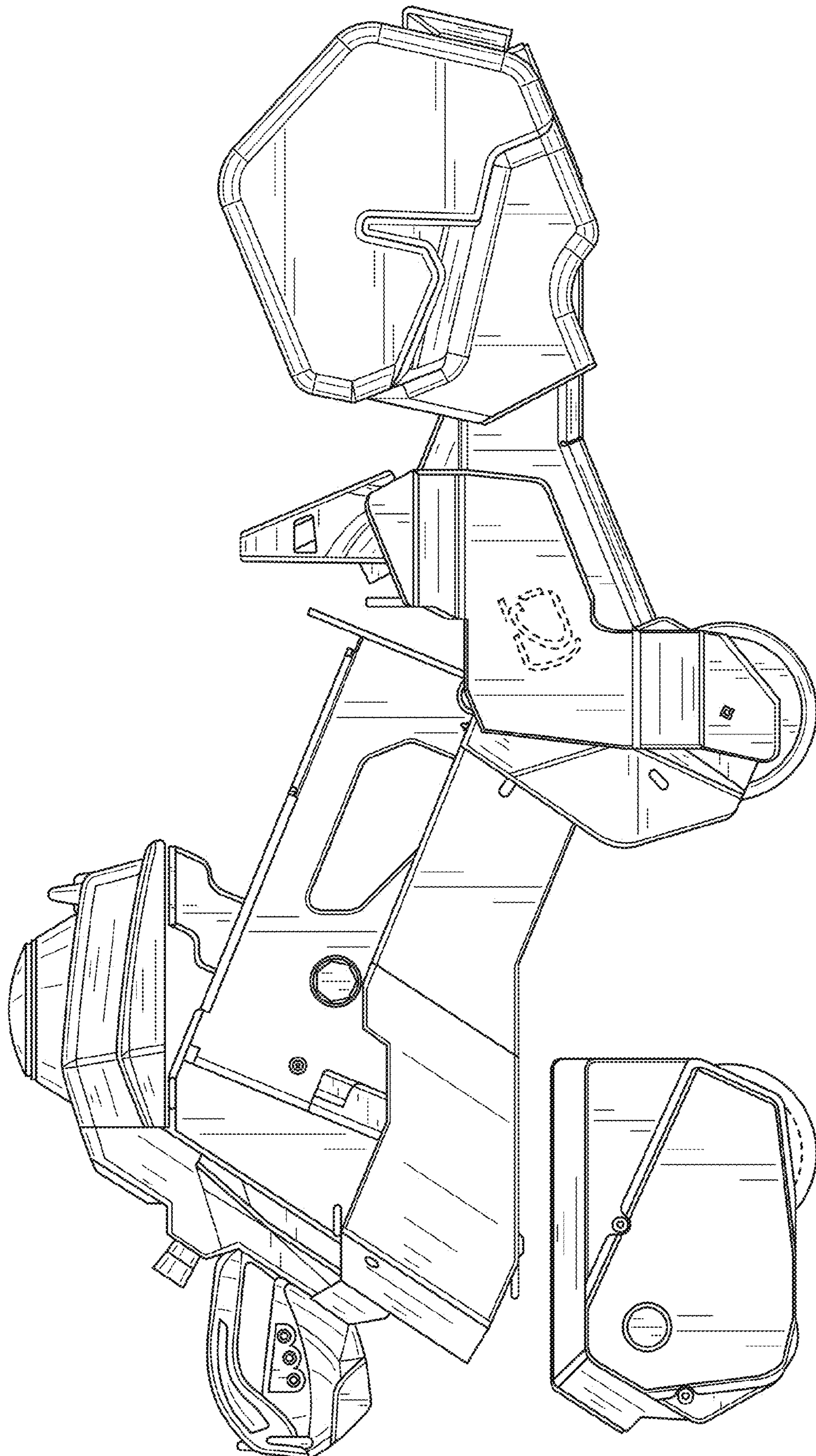


FIG. 5

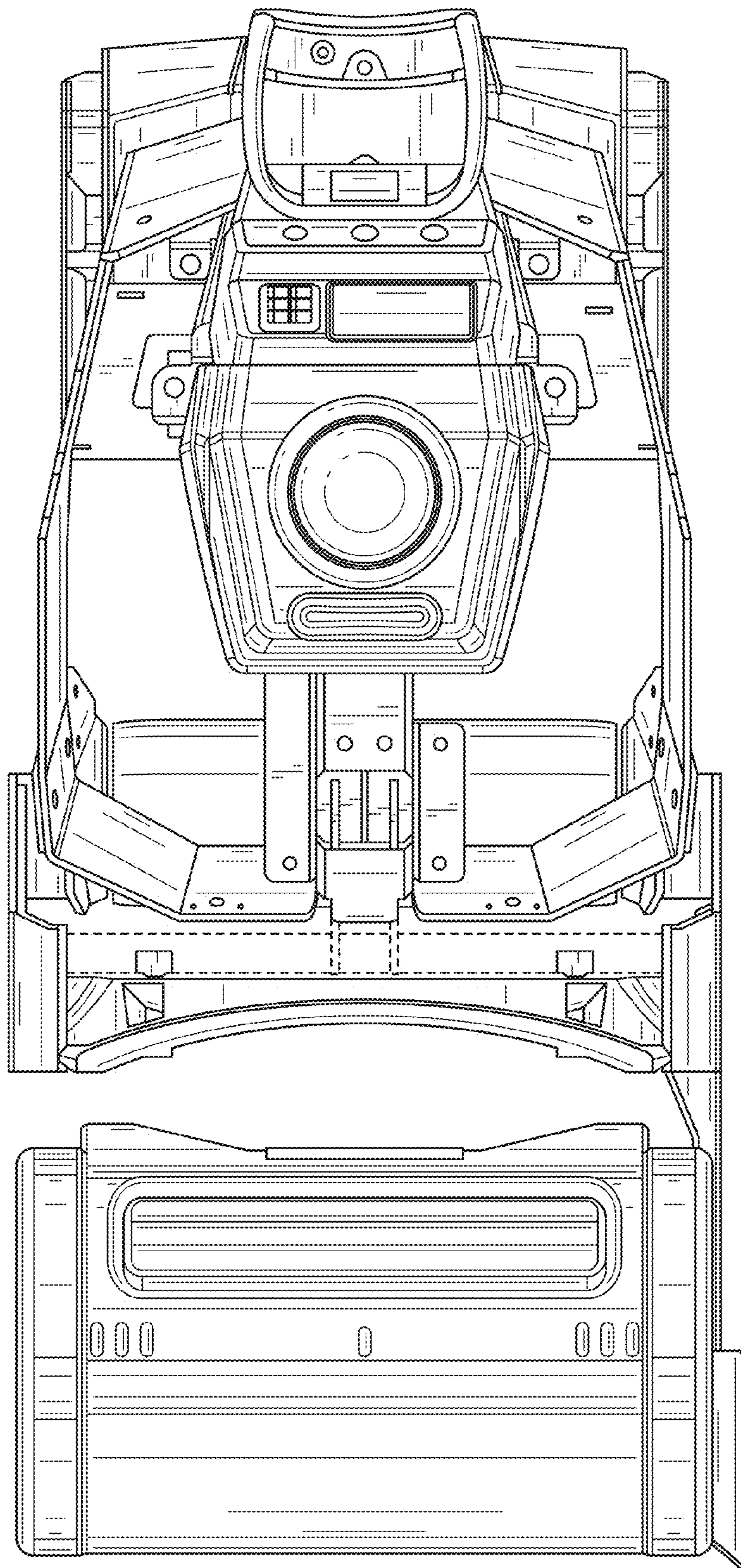


FIG. 6

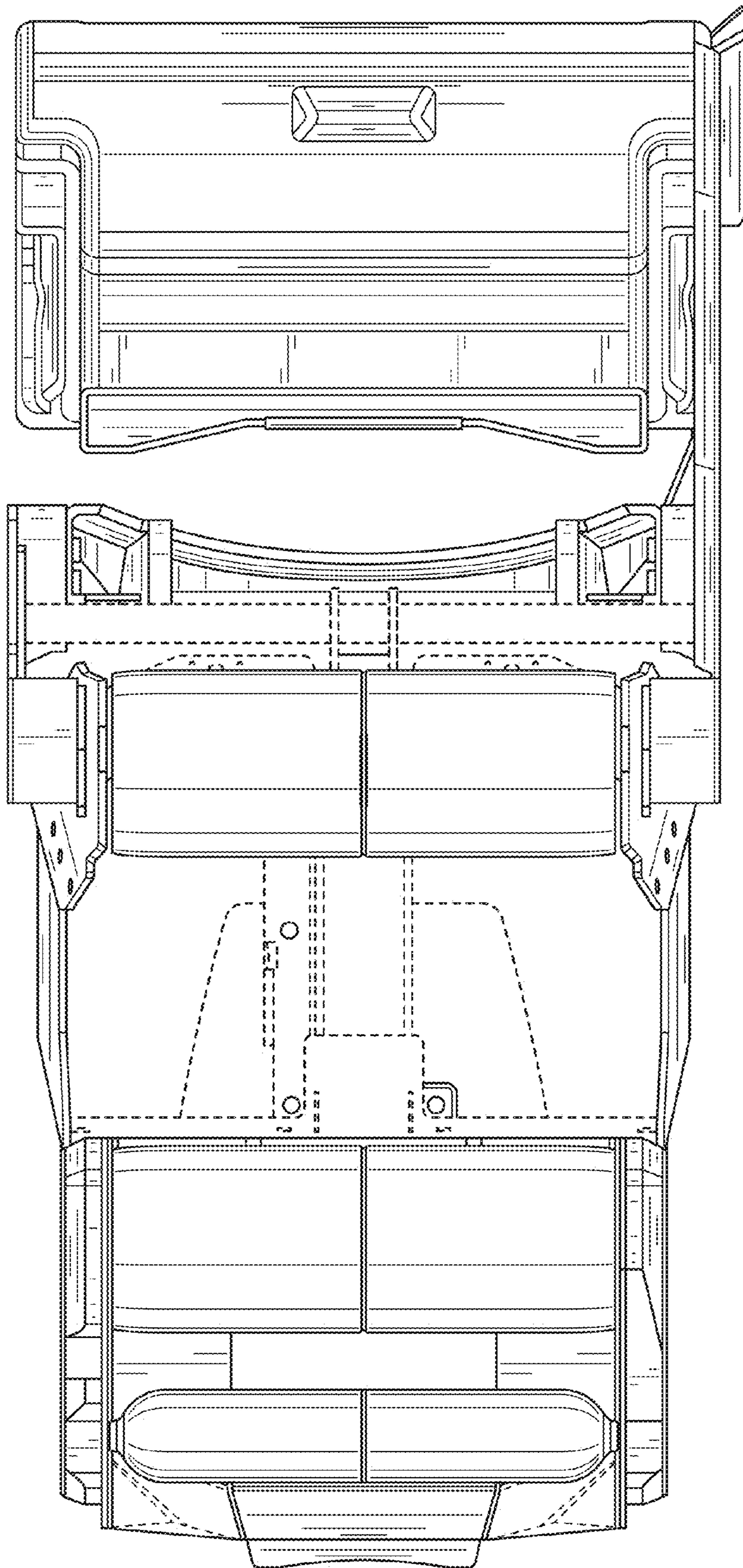


FIG. 7