



US00D892186S

(12) **United States Design Patent**  
**Kawaguchi et al.**

(10) **Patent No.:** **US D892,186 S**  
(45) **Date of Patent:** **\*\* Aug. 4, 2020**

(54) **MOTION ASSISTANCE APPARATUS**

(71) Applicant: **MITSUBISHI ELECTRIC CORPORATION**, Tokyo (JP)

(72) Inventors: **Noboru Kawaguchi**, Tokyo (JP);  
**Hidetaka Yamauchi**, Tokyo (JP); **Koji Hirose**, Tokyo (JP)

(73) Assignee: **Mitsubishi Electric Corporation**, Tokyo (JP)

(\*\*) Term: **15 Years**

(21) Appl. No.: **29/666,977**

(22) Filed: **Oct. 17, 2018**

(30) **Foreign Application Priority Data**

Apr. 18, 2018 (JP) ..... 2018-008539

(51) **LOC (12) Cl.** ..... **15-99**

(52) **U.S. Cl.**  
USPC ..... **D15/199**

(58) **Field of Classification Search**  
USPC ..... D15/199; D21/369, 578-583, 621, 622;  
D24/190  
CPC ..... B25J 9/102; B25J 9/104; B25J 17/0241;  
Y10T 74/20317; Y10T 74/20323  
See application file for complete search history.

(56) **References Cited**

**U.S. PATENT DOCUMENTS**

- 5,002,242 A \* 3/1991 Nagai ..... B25J 17/0241  
248/49
- 5,099,707 A \* 3/1992 Tori ..... B25J 9/02  
384/296
- 5,107,716 A \* 4/1992 Torii ..... B25J 9/02  
384/296
- 5,119,753 A \* 6/1992 Milad ..... B23Q 1/5406  
114/338

- 5,342,254 A \* 8/1994 Sula ..... B25J 9/102  
475/223
- 5,593,293 A \* 1/1997 Machino ..... B25J 9/0009  
414/729
- 5,740,699 A \* 4/1998 Ballantyne ..... B25J 17/0266  
403/120
- 5,893,296 A \* 4/1999 Rosheim ..... G05G 5/03  
74/490.03
- 6,151,981 A \* 11/2000 Costa ..... B25J 9/023  
74/490.03
- 6,220,813 B1 \* 4/2001 Launiere ..... B23Q 1/50  
198/468.6
- 6,240,799 B1 \* 6/2001 Yau ..... B23Q 1/5462  
74/479.01

(Continued)

*Primary Examiner* — Patricia A Palasik

(74) *Attorney, Agent, or Firm* — Studebaker & Brackett  
PC

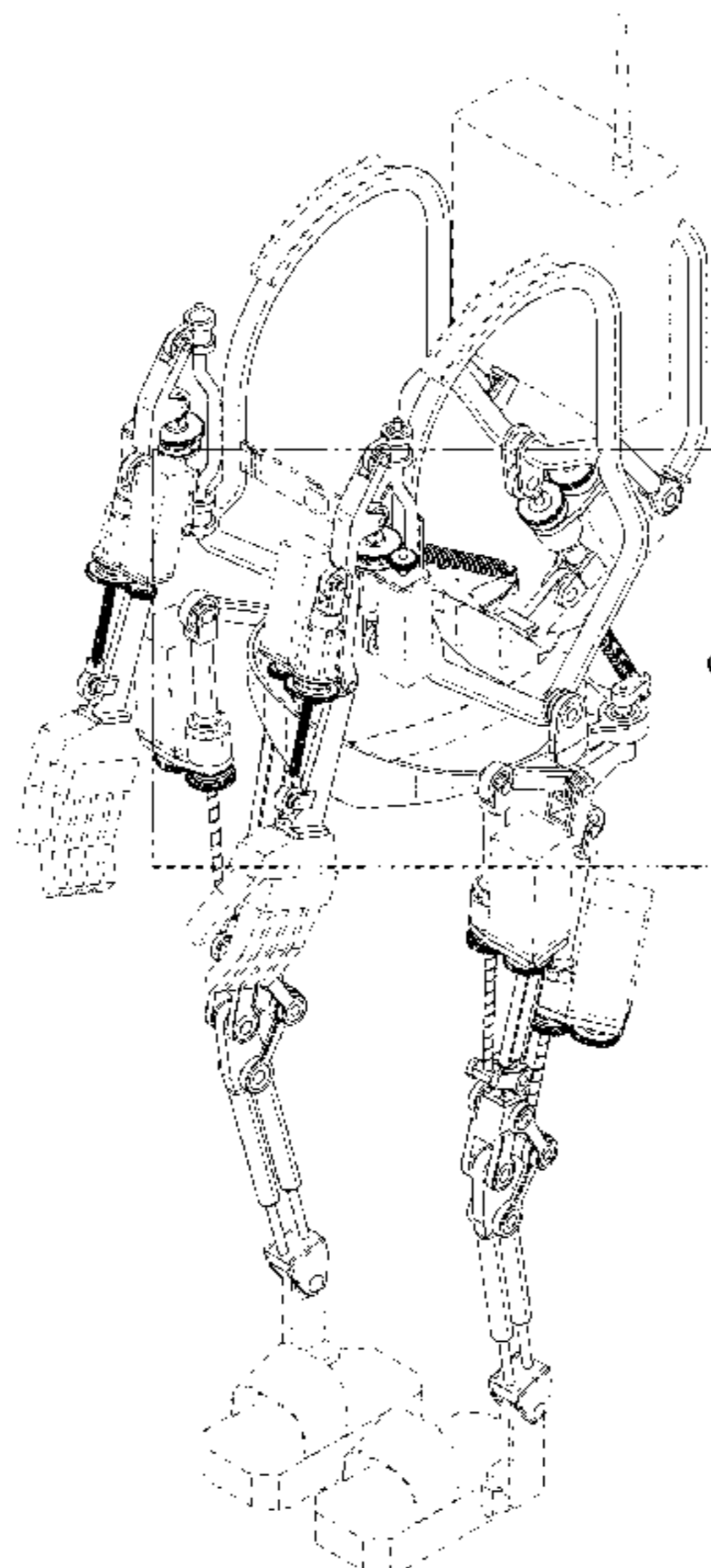
(57) **CLAIM**

The ornamental design for a motion assistance apparatus, as shown and described.

**DESCRIPTION**

FIG. 1 is front perspective view of the front, right, and top sides of a motion assistance apparatus showing our new design;  
 FIG. 2 is a rear perspective view of the rear, left, and bottom sides thereof;  
 FIG. 3 is a front view thereof;  
 FIG. 4 is a rear view thereof;  
 FIG. 5 is a left side view thereof;  
 FIG. 6 is a right side view thereof;  
 FIG. 7 is a top plan view thereof;  
 FIG. 8 is a bottom plan view thereof;  
 FIG. 9 is an enlarged view of part 9 of FIG. 1; and,  
 FIG. 10 is an enlarged view of part 10 of FIG. 2.  
 The broken lines shown represent unclaimed subject matter of the motion assistance apparatus or environments and form no part of the claimed design.

**1 Claim, 9 Drawing Sheets**



(56)

References Cited

U.S. PATENT DOCUMENTS

7,013,750	B1 *	3/2006	Kazami	.....	B25J 9/08	74/490.03
9,512,912	B1 *	12/2016	Edsinger	.....	F16H 48/12	
9,568,074	B2 *	2/2017	Gosselin	.....	B25J 9/102	
9,849,925	B2 *	12/2017	Outa	.....	B23Q 1/5406	114/338
10,040,206	B2 *	1/2018	Jeong et al.	.....	B25J 9/102	475/223
D810,801	S *	2/2018	Hsu et al.	.....	B25J 9/0009	414/729
10,144,464	B1 *	12/2018	Buerger et al.	.....	B23Q 1/5462	74/479.01
D847,891	S *	5/2019	Kawaguchi	.....	D15/199	
2002/0078778	A1 *	6/2002	Grover	.....	B25J 9/042	74/490.03
2005/0275367	A1 *	12/2005	Buehler	.....	B25J 9/102	318/568.12
2007/0062321	A1 *	3/2007	Chablat	.....	B23Q 1/5462	74/479.01
2009/0308188	A1 *	12/2009	Yang	.....	B25J 9/104	74/89.27
2010/0122602	A1 *	5/2010	Marcroft	.....	B25J 17/0216	74/490.03
2010/0162846	A1 *	7/2010	Lee	.....	B25J 9/1045	74/490.04
2010/0170357	A1 *	7/2010	Kim	.....	B25J 9/102	74/89.32
2011/0048158	A1 *	3/2011	Maisonnier	.....	B25J 17/0275	74/490.03
2011/0056321	A1 *	3/2011	Sim	.....	B25J 9/1025	74/490.04
2011/0067518	A1 *	3/2011	Park	.....	B25J 9/102	74/490.04
2011/0113914	A1 *	5/2011	Zhang	.....	B25J 9/107	74/490.01
2011/0126651	A1 *	6/2011	Pan	.....	B25J 9/102	74/89.2
2011/0137423	A1 *	6/2011	Ouyang	.....	B25J 9/102	623/18.11
2011/0214524	A1 *	9/2011	Jacobsen	.....	A61F 2/68	74/490.04
2011/0314949	A1 *	12/2011	Long	.....	B25J 19/0029	74/490.04
2012/0011956	A1 *	1/2012	Lundberg	.....	B25J 9/04	74/490.03
2012/0048047	A1 *	3/2012	Zhang	.....	B25J 9/046	74/425
2012/0067150	A1 *	3/2012	Zhang	.....	B25J 9/102	74/423
2012/0204670	A1 *	8/2012	Ryland	.....	B08B 9/045	74/490.03
2012/0271207	A1 *	10/2012	Schoen	.....	A61F 5/0102	601/34
2012/0291582	A1 *	11/2012	Kang	.....	B25J 19/0016	74/490.03
2013/0104676	A1 *	5/2013	Yang	.....	B25J 9/06	73/865.8
2013/0282174	A1 *	10/2013	Xi	.....	B25J 9/1682	700/248
2013/0296746	A1 *	11/2013	Herr	.....	A61H 3/00	601/34
2014/0007730	A1 *	1/2014	Delouis	.....	B25J 15/0009	74/490.03
2014/0123800	A1 *	5/2014	Choi	.....	F16H 48/10	74/490.03
2014/0213409	A1 *	7/2014	Yoon	.....	F16H 1/203	475/343
2015/0114163	A1 *	4/2015	Rosheim	.....	B25J 9/0045	74/490.03
2015/0122071	A1 *	5/2015	Lee	.....	B25J 9/06	74/490.04
2015/0190246	A1 *	7/2015	Ryu	.....	G06F 3/011	74/89.22
2015/0272811	A1 *	10/2015	Choi	.....	B25J 17/00	623/27
2016/0038313	A1 *	2/2016	Kim	.....	B25J 9/102	623/24
2016/0114479	A1 *	4/2016	Rosheim	.....	B25J 9/0075	74/490.03
2016/0288319	A1 *	10/2016	Kfoury	.....	B25J 9/104	
2017/0120453	A1 *	5/2017	Roy	.....	B25J 5/04	
2017/0297197	A1 *	10/2017	King	.....	B25J 9/126	
2017/0319421	A1 *	11/2017	Julin	.....	A61H 3/00	
2017/0348852	A1 *	12/2017	Sarh	.....	B25J 9/106	
2018/0009116	A1 *	1/2018	Jeong et al.	.....	B25J 9/08	74/490.03
2018/0079084	A1 *	3/2018	Woo et al.	.....	B25J 17/0266	403/120
2018/0133894	A1 *	5/2018	Choi et al.	.....	G05G 5/03	74/490.03
2018/0140441	A1 *	5/2018	Poirters	.....	B25J 9/023	74/490.03
2018/0193172	A1 *	7/2018	Smith et al.	.....	F16H 48/12	
2018/0236655	A1 *	8/2018	Nakanishi	.....	B23Q 1/50	198/468.6

\* cited by examiner



FIG. 1

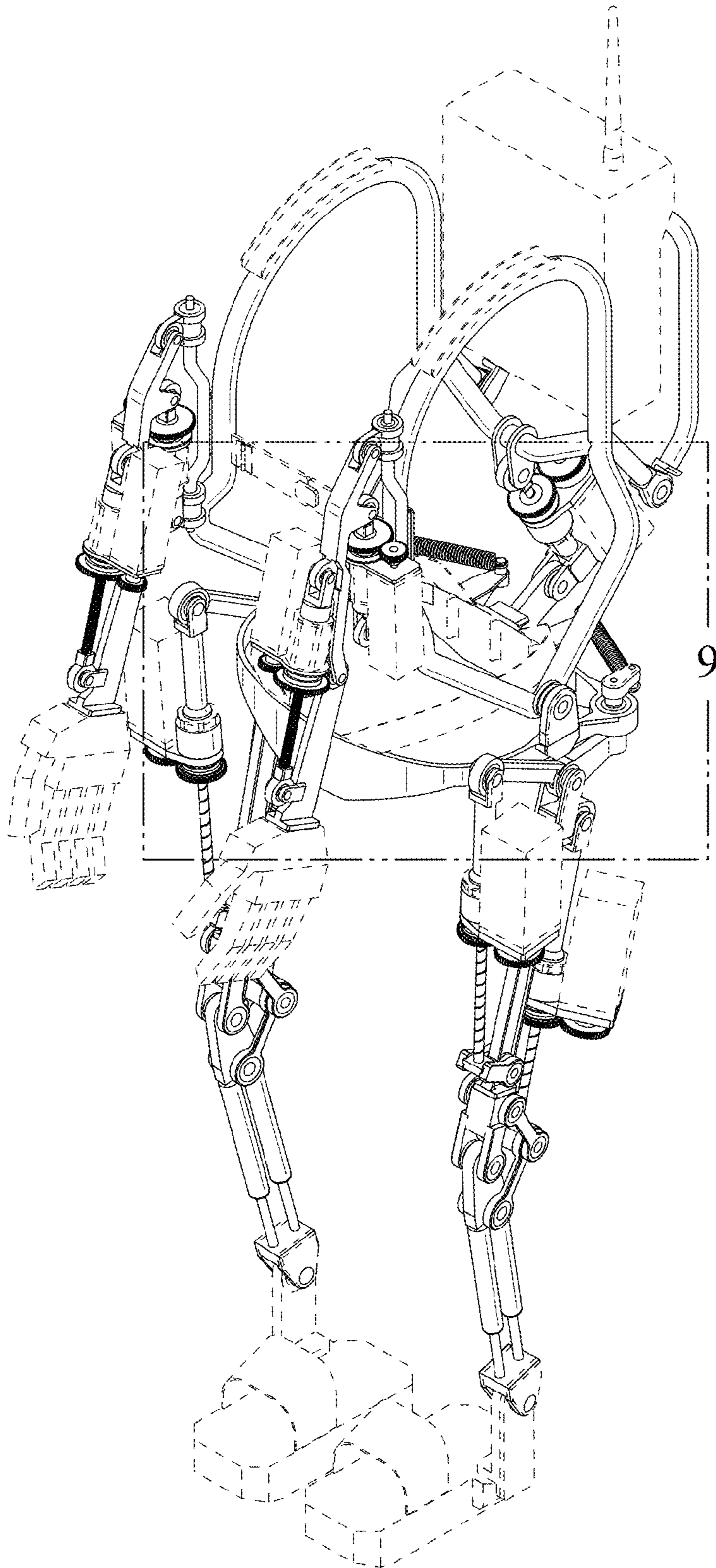


FIG. 2

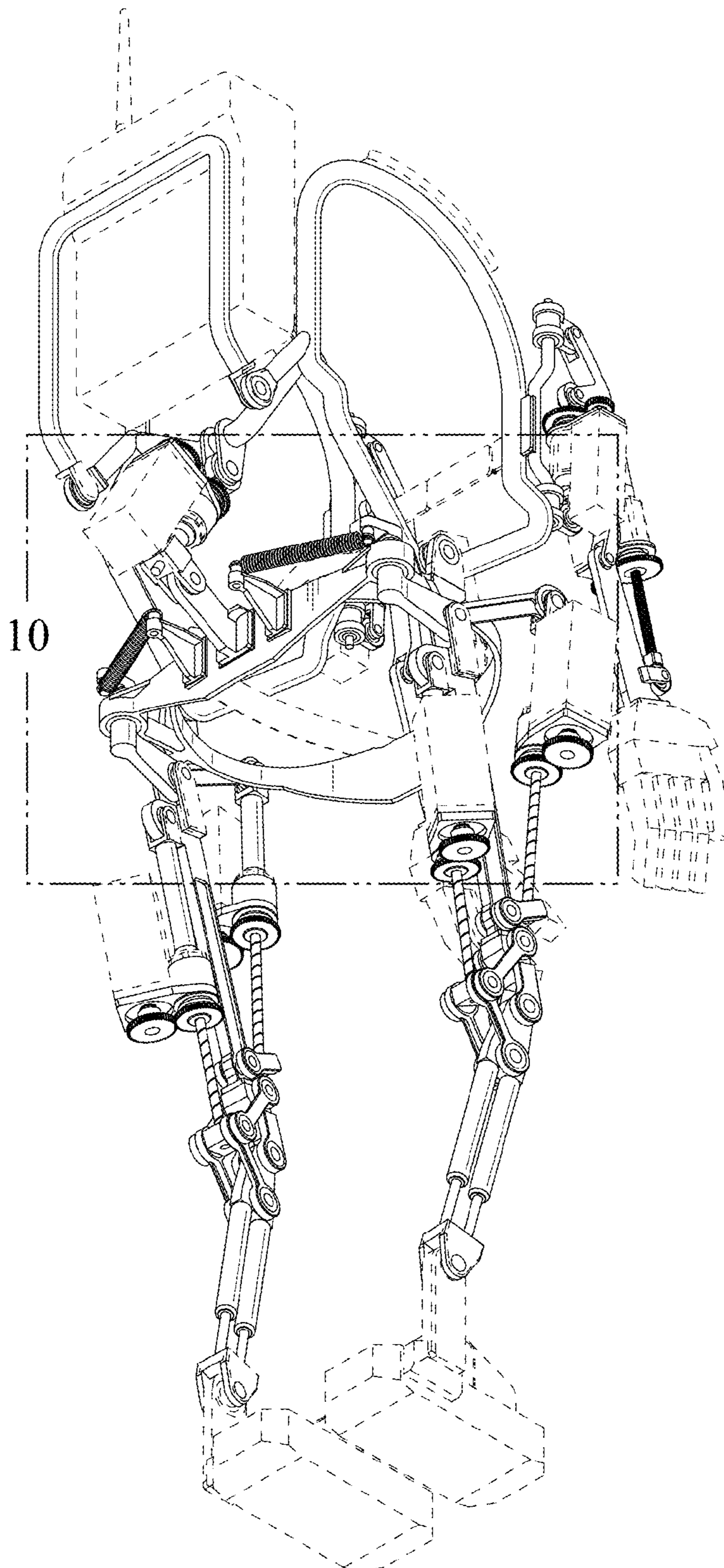


FIG. 3

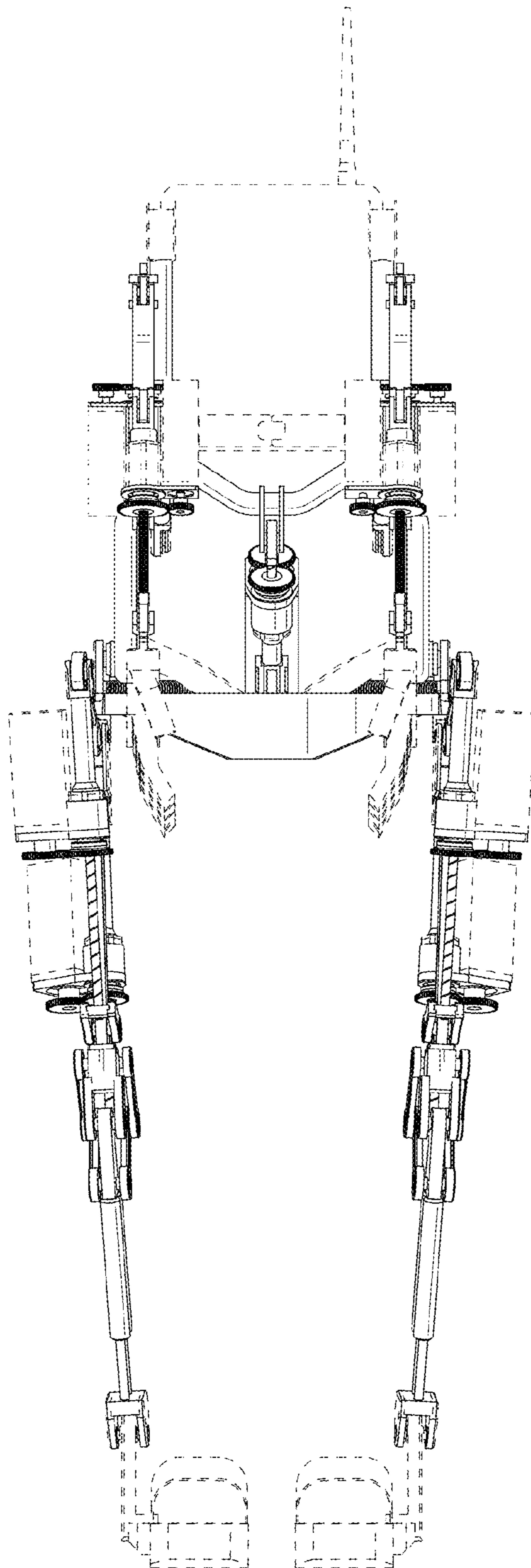


FIG. 4

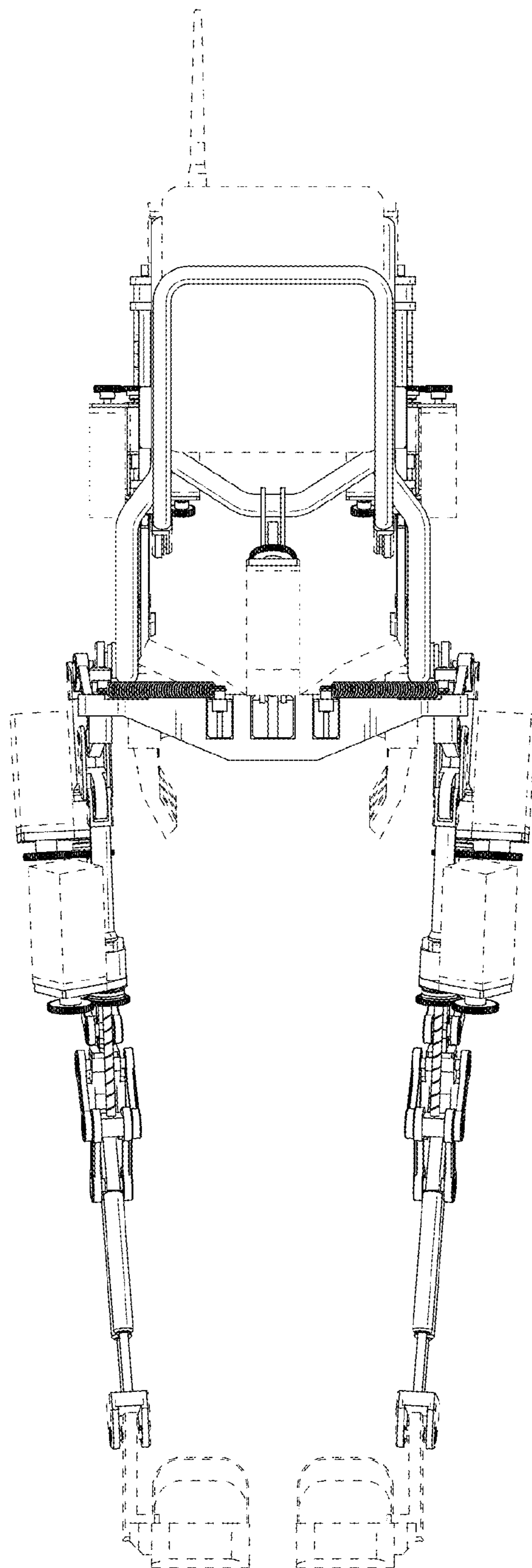




FIG. 5

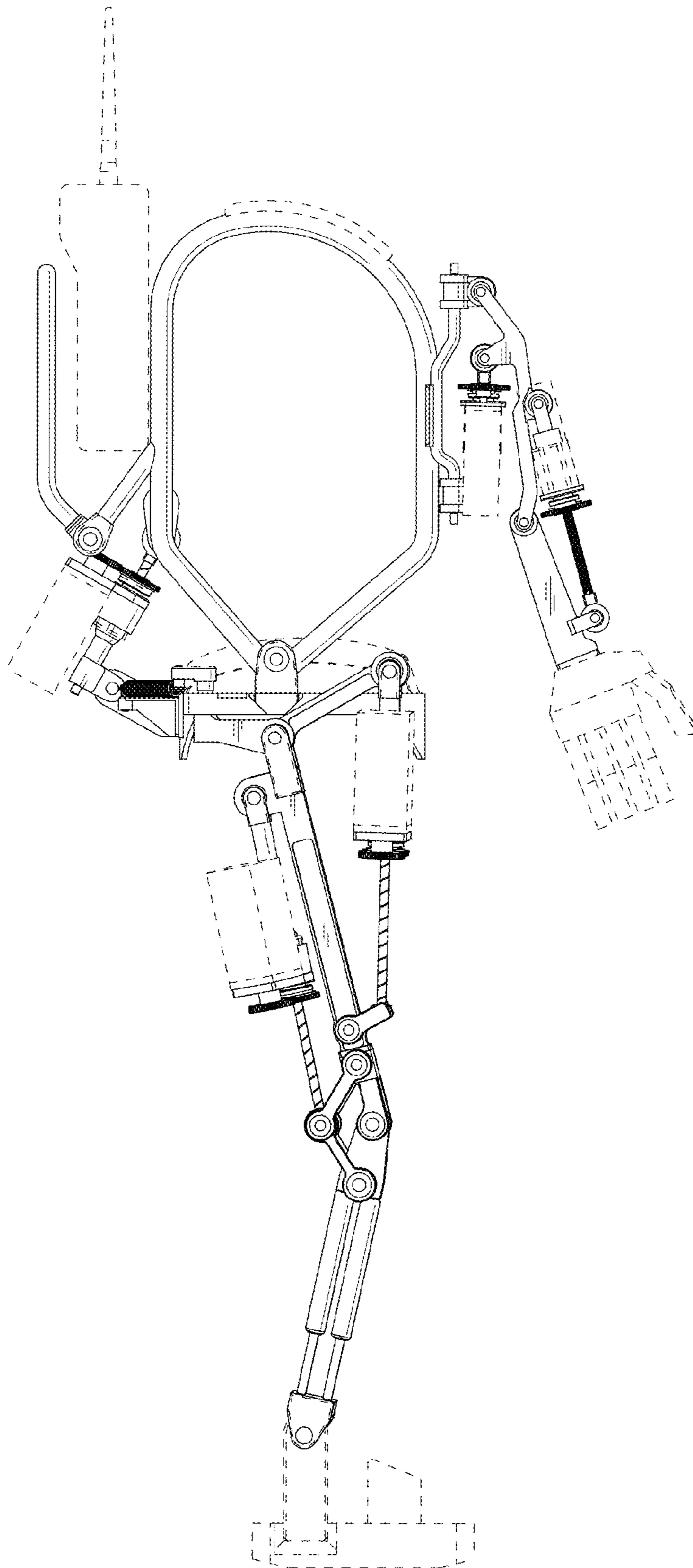


FIG. 6

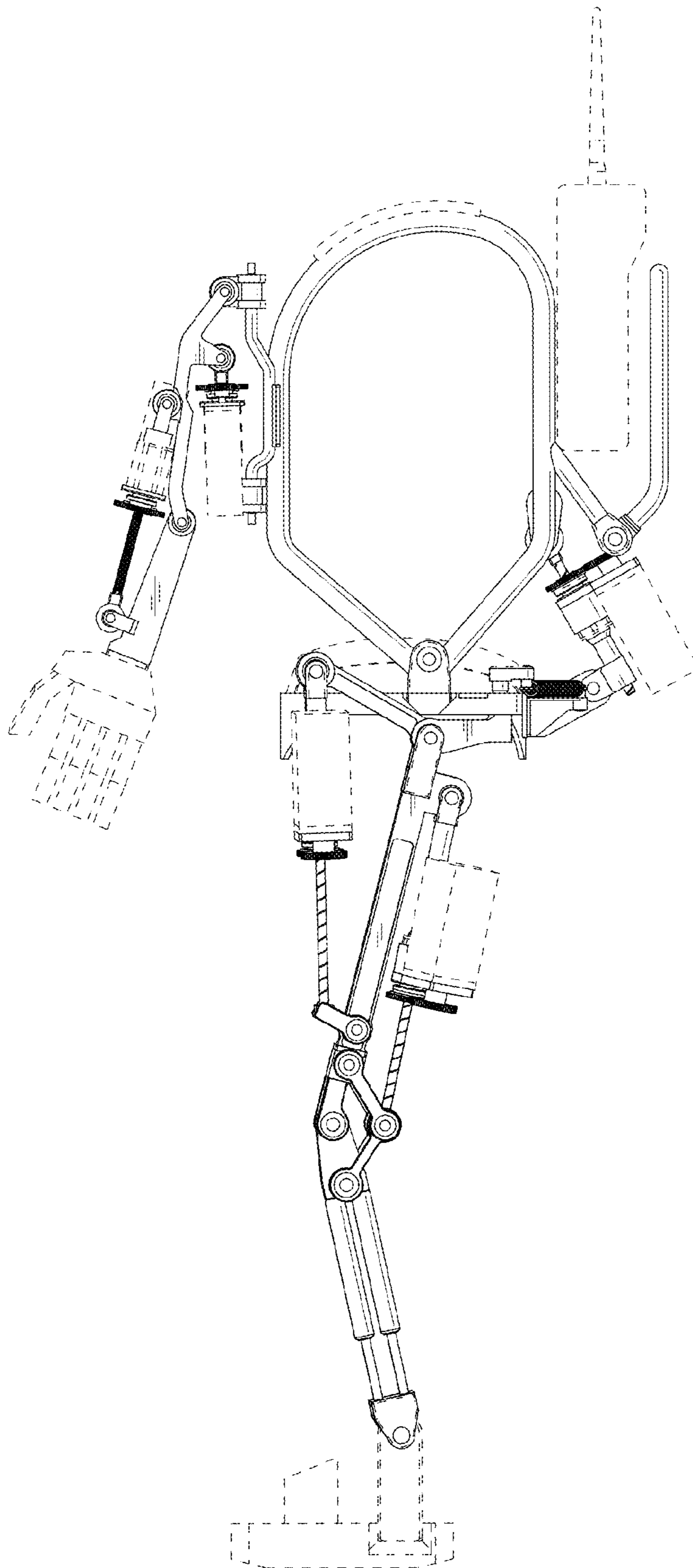




FIG. 7

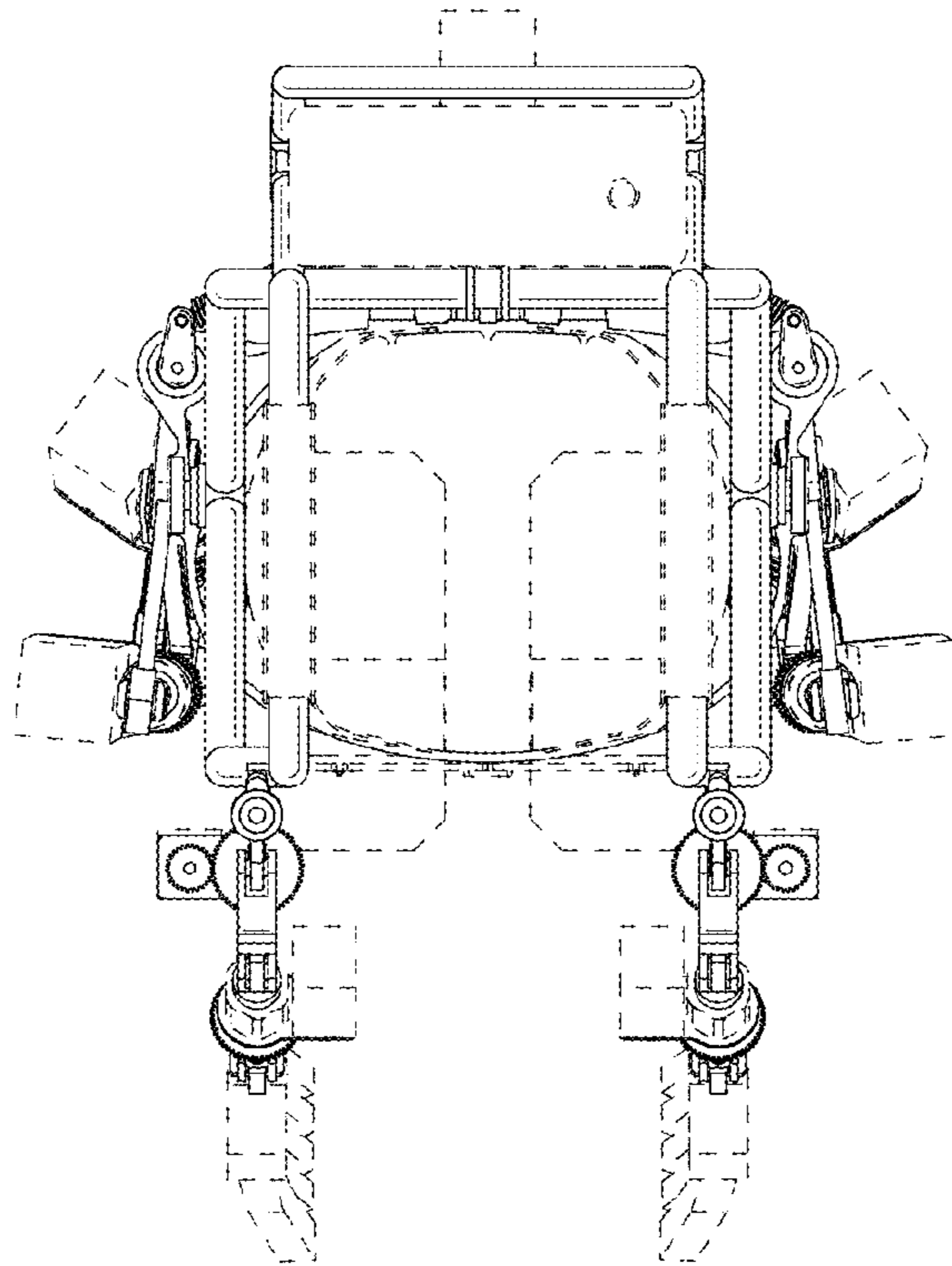


FIG. 8

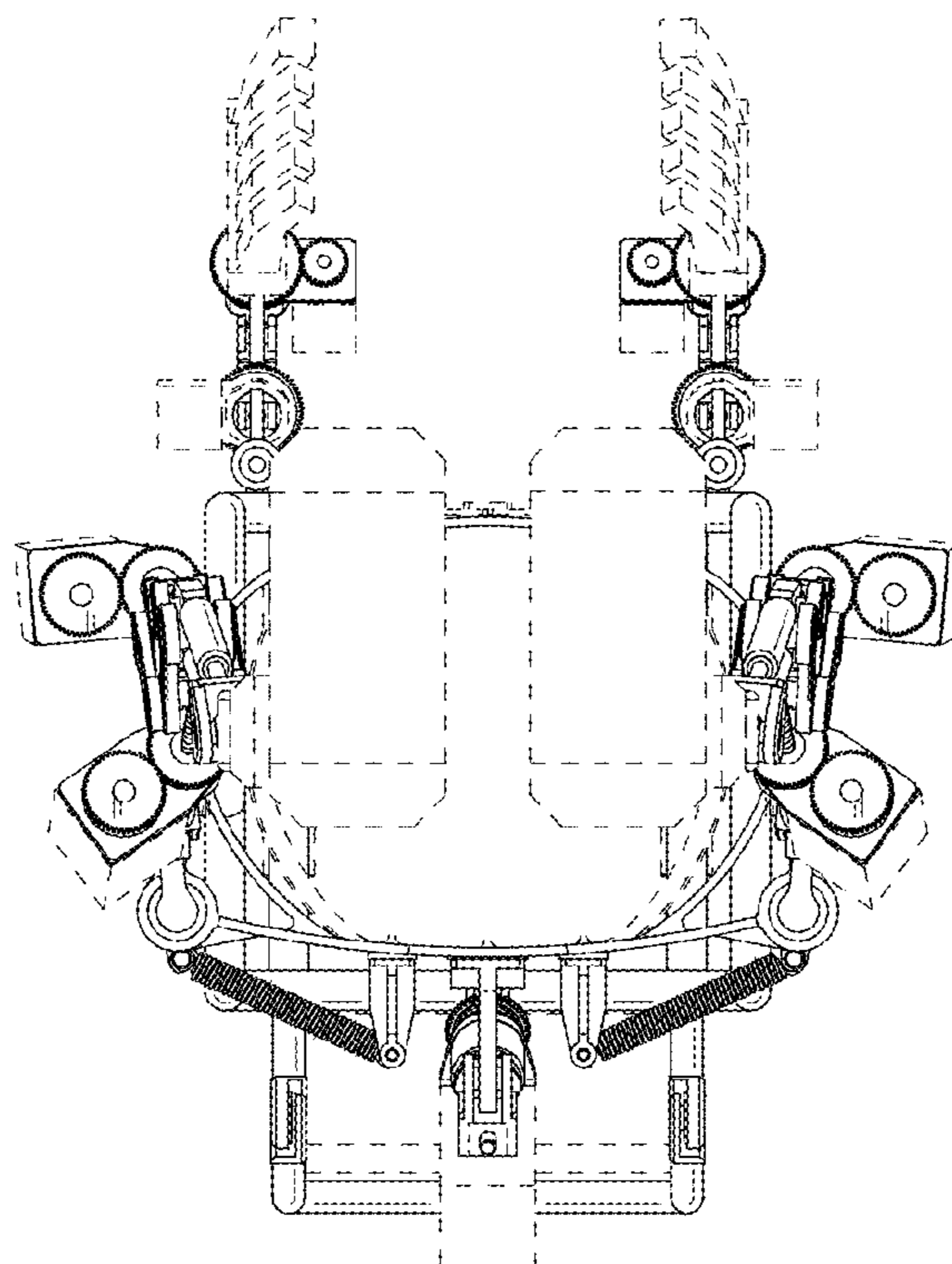


FIG. 9

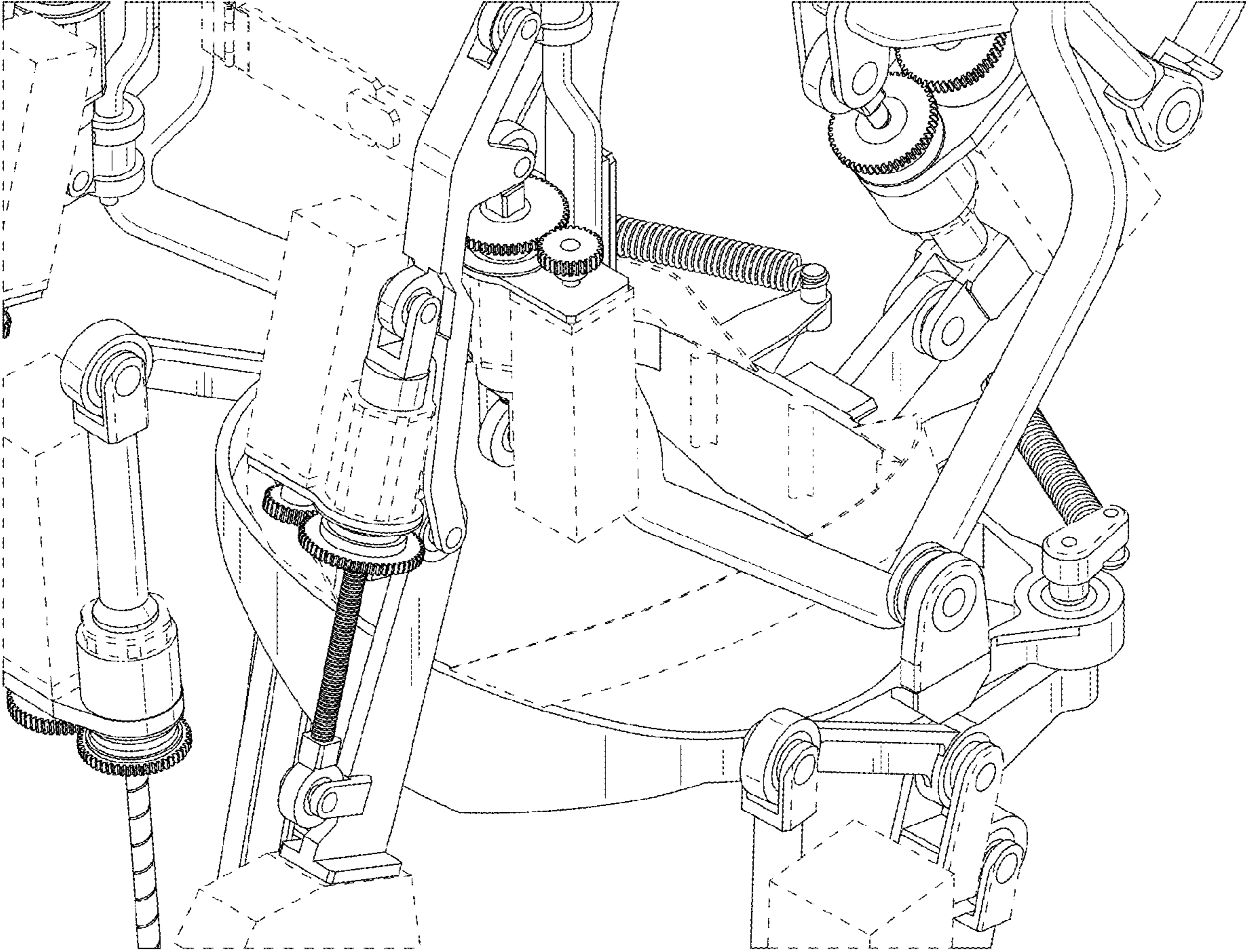


FIG. 10

