



US00D892185S

(12) **United States Design Patent**
Bennett

(10) **Patent No.:** **US D892,185 S**

(45) **Date of Patent:** **** Aug. 4, 2020**

(54) **PORTABLE BRAKING SYSTEM**

8,887,879 B1 * 11/2014 Decker, Jr. B60T 7/20

(71) Applicant: **HOPKINS MANUFACTURING CORPORATION**, Emporia, KS (US)

9,399,448 B1 * 7/2016 Schuck B60T 7/20
10,137,870 B2 * 11/2018 Decker, Jr. B60T 7/20

(72) Inventor: **Kyle M. Bennett**, Emporia, KS (US)

* cited by examiner

(73) Assignee: **Hopkins Manufacturing Corporation**, Emporia, KS (US)

Primary Examiner — Patricia A Palasik

(74) *Attorney, Agent, or Firm* — Hovey Williams LLP

(**) Term: **15 Years**

(57) **CLAIM**

(21) Appl. No.: **29/702,054**

The ornamental design for a portable braking system, as shown and described.

(22) Filed: **Aug. 16, 2019**

DESCRIPTION

Related U.S. Application Data

(62) Division of application No. 29/603,828, filed on May 12, 2017, now Pat. No. Des. 862,548.

(51) **LOC (12) Cl.** **15-09**

(52) **U.S. Cl.**
USPC **D15/149**; D12/180

(58) **Field of Classification Search**
USPC D12/179, 180; D15/148, 149, 199
CPC B60T 7/12; B60T 7/16; B60T 7/20
See application file for complete search history.

FIG. 1 is a top front perspective view of an embodiment of the portable braking system;
FIG. 2 is a bottom front perspective view of the portable braking system of FIG. 1;
FIG. 3 is a top rear perspective view of the portable braking system of FIG. 1;
FIG. 4 is a bottom rear perspective view of the portable braking system of FIG. 1;
FIG. 5 is a top plan view of the portable braking system of FIG. 1;
FIG. 6 is a front elevational view of the portable braking system of FIG. 1;
FIG. 7 is a left side elevational view of the portable braking system of FIG. 6;
FIG. 8 is a right side elevational view of the portable braking system of FIG. 6;
FIG. 9 is a rear elevational view of the portable braking system of FIG. 1; and,
FIG. 10 is a bottom plan view of the portable braking system of FIG. 1.

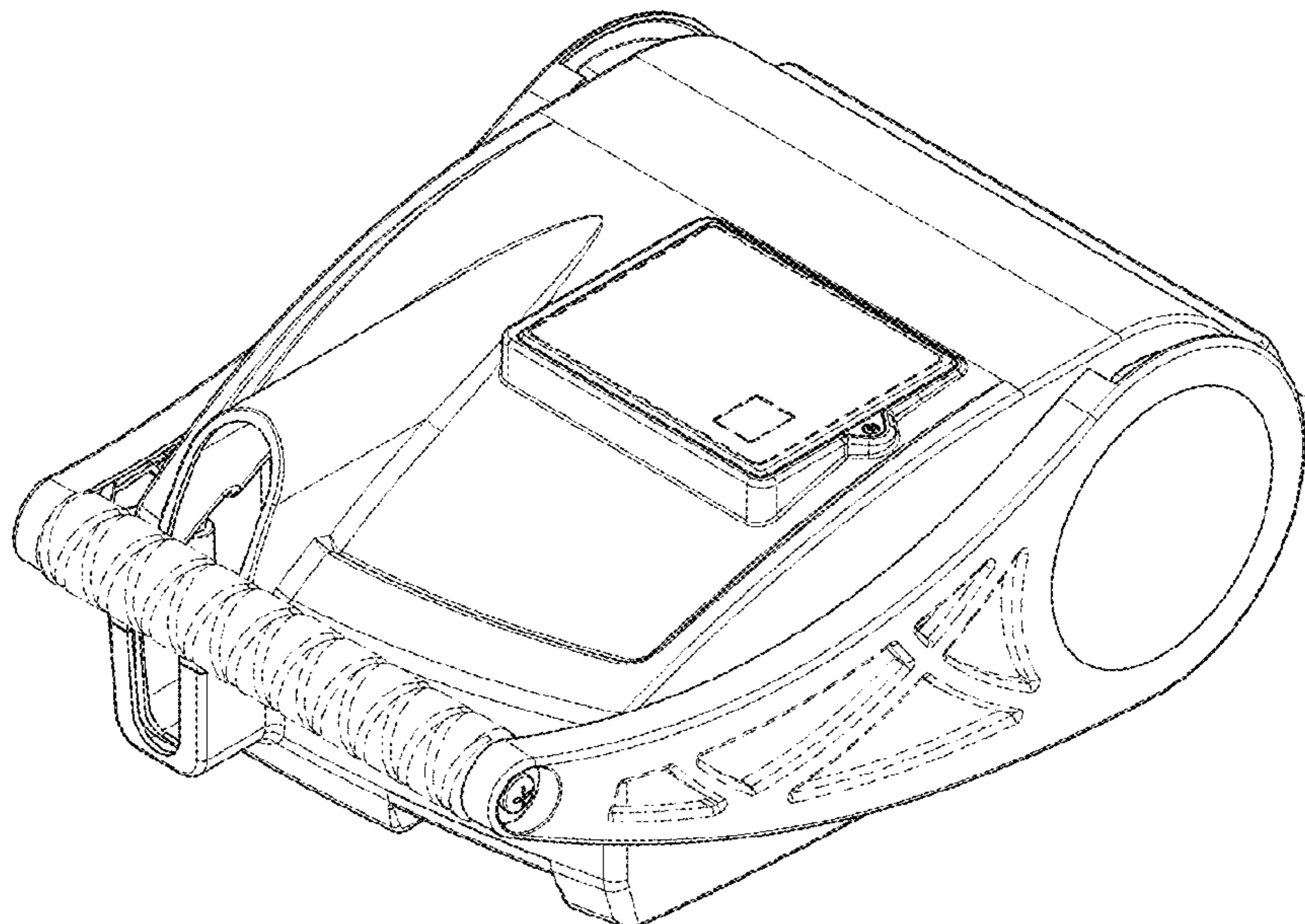
(56) **References Cited**

U.S. PATENT DOCUMENTS

6,158,823 A * 12/2000 Schuck B60T 13/46
303/12
D490,349 S * 5/2004 Brock D12/180
D498,190 S * 11/2004 Brock D12/180
D551,139 S * 9/2007 Barnes D12/180
D679,229 S * 4/2013 Decker, Jr. 188/73.35
8,430,458 B2 * 4/2013 Kaminski B60T 7/06
188/1.11 E
8,662,262 B1 * 3/2014 Decker, Jr. B60T 7/20
188/112 R

The broken lines in the drawings depict unclaimed portions of the portable braking system which form no part of the claimed design.

1 Claim, 5 Drawing Sheets



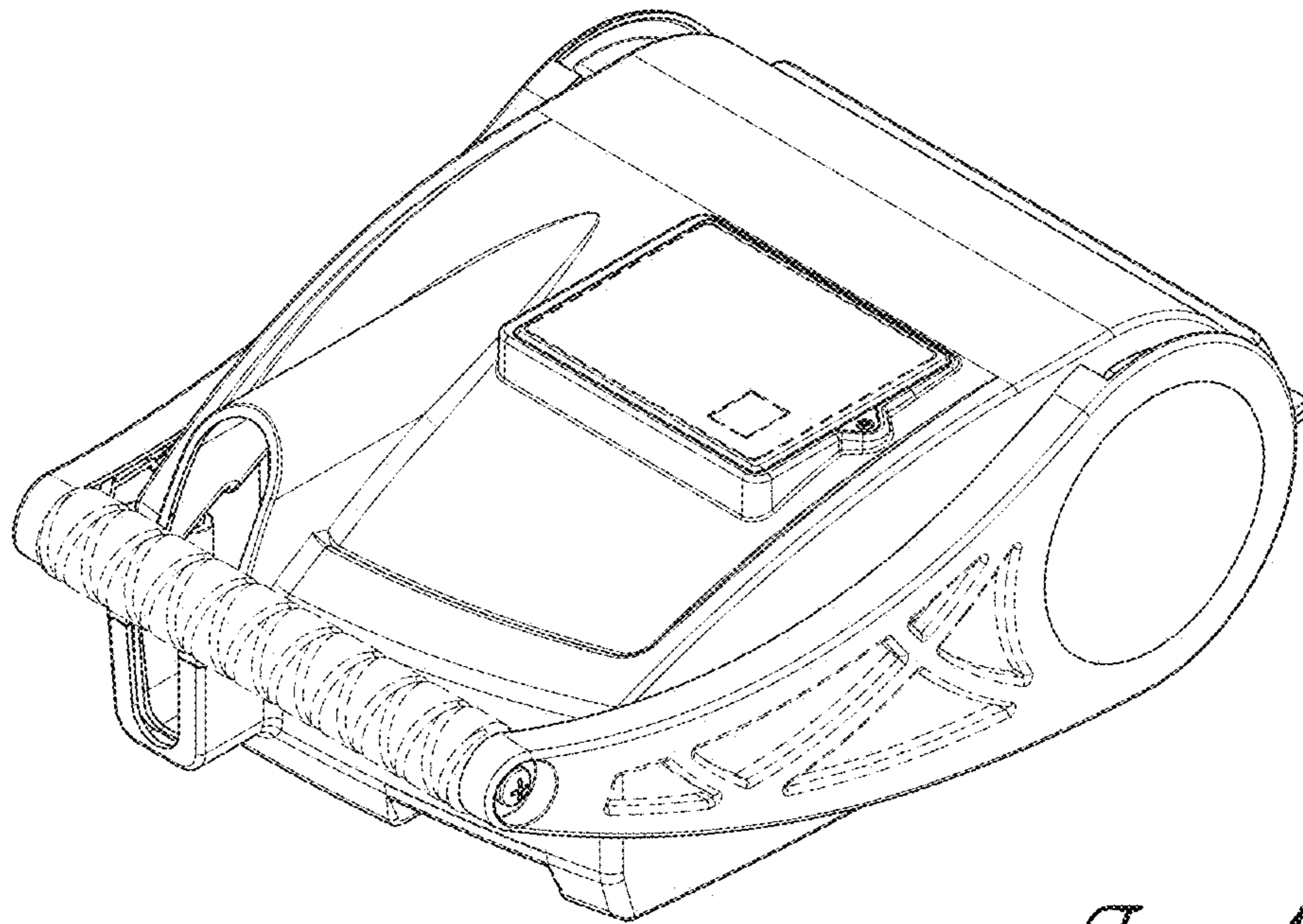


Fig. 1.

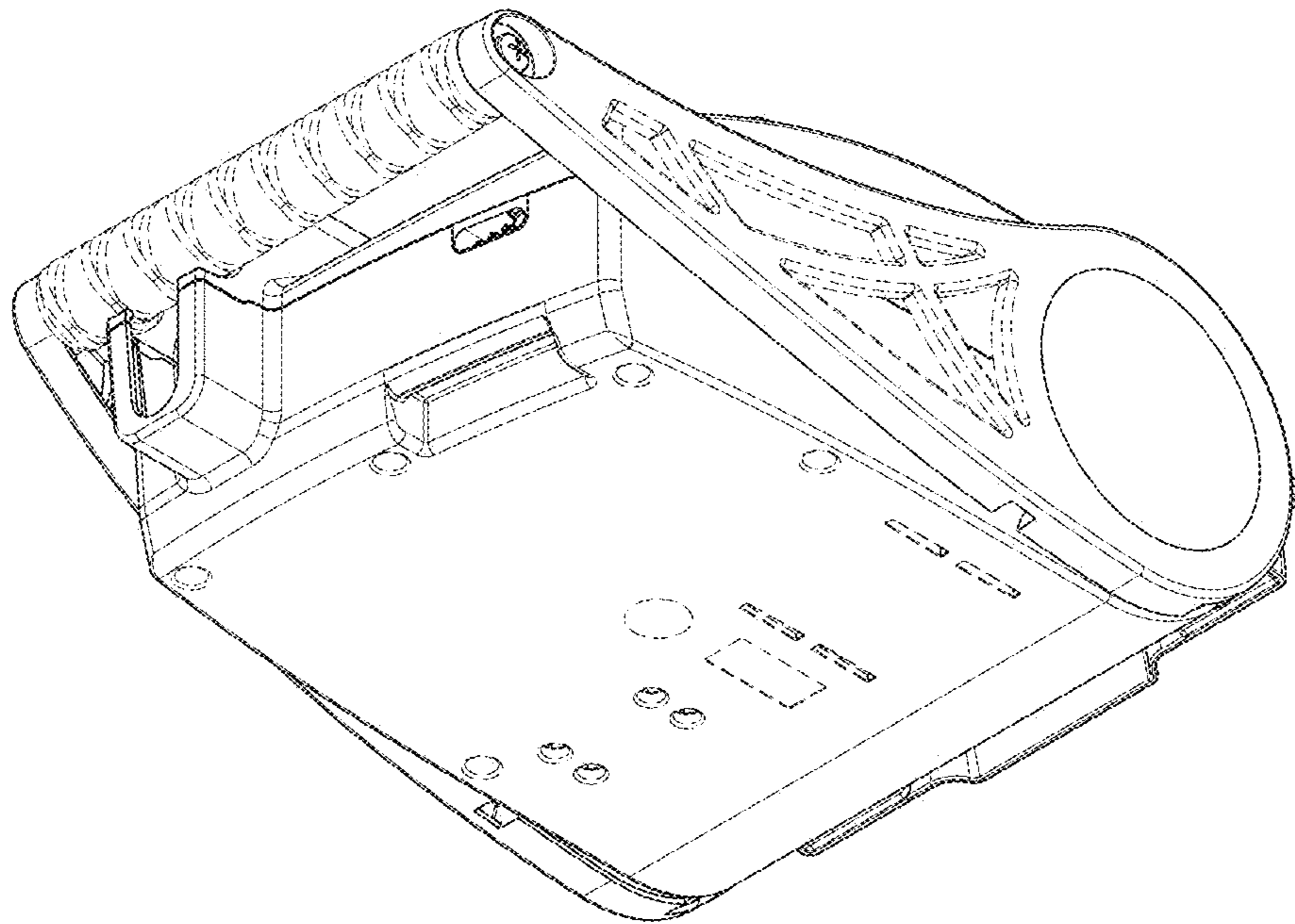


Fig. 2.

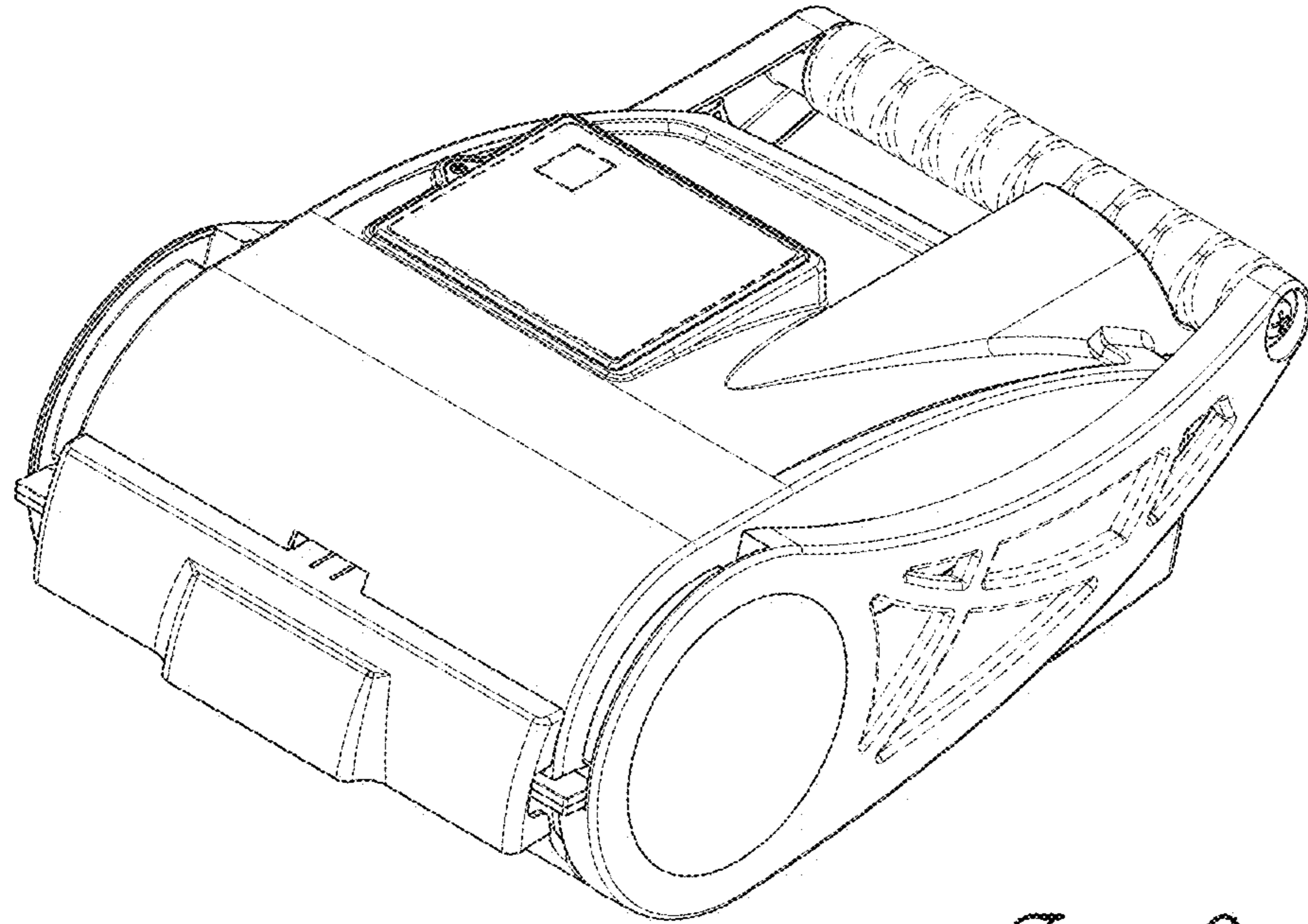


Fig. 3.

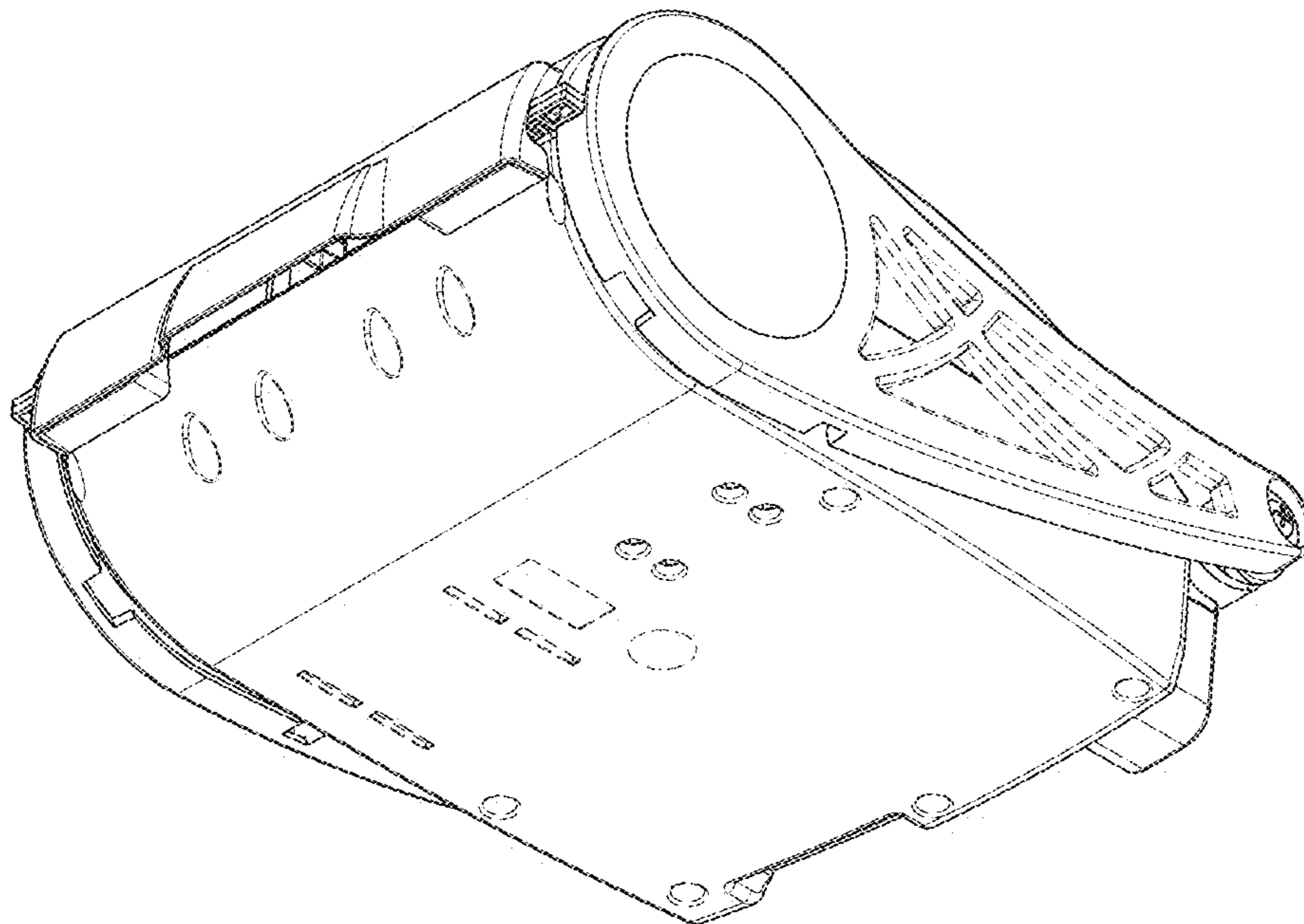


Fig. 4.

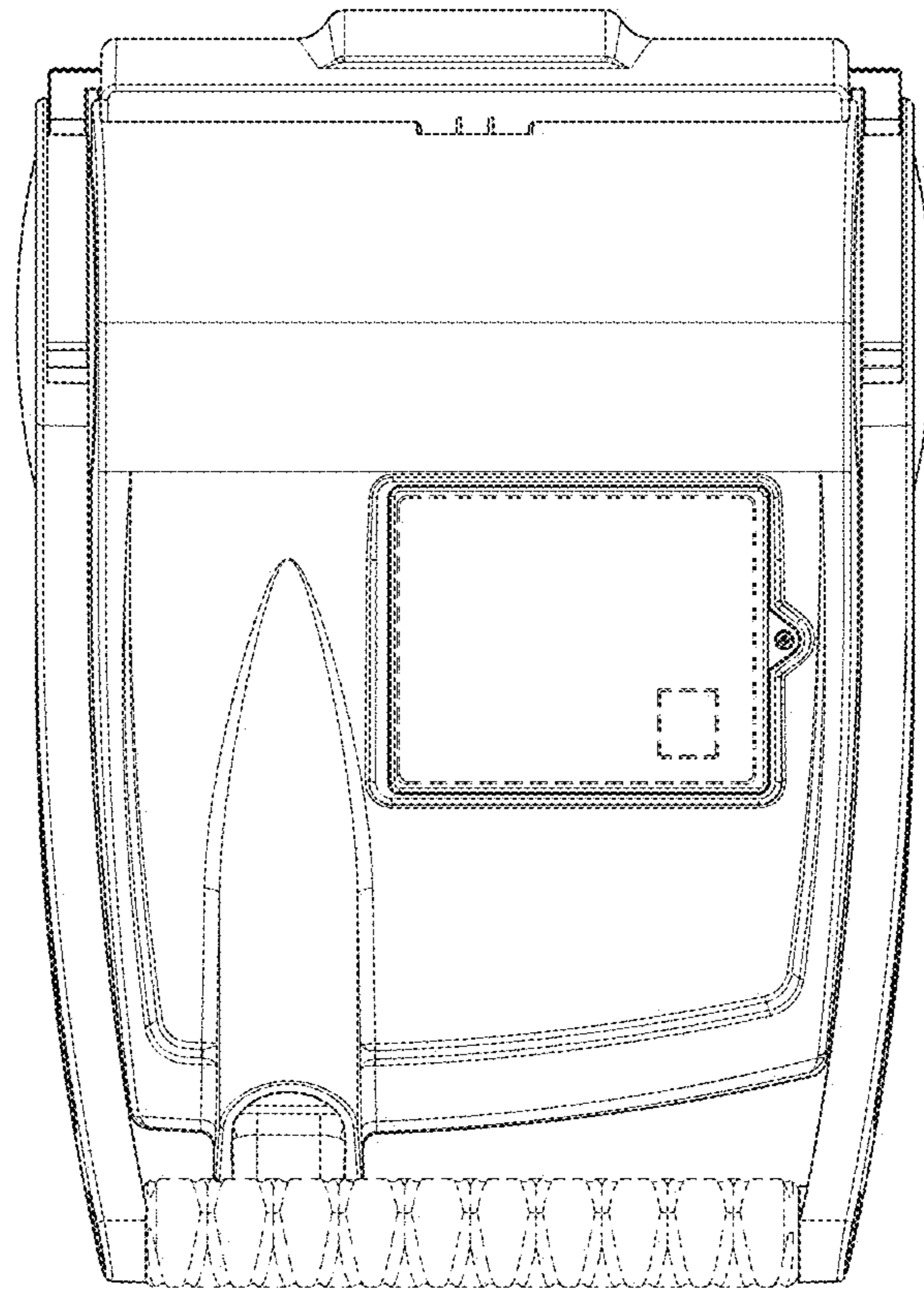


Fig. 5.

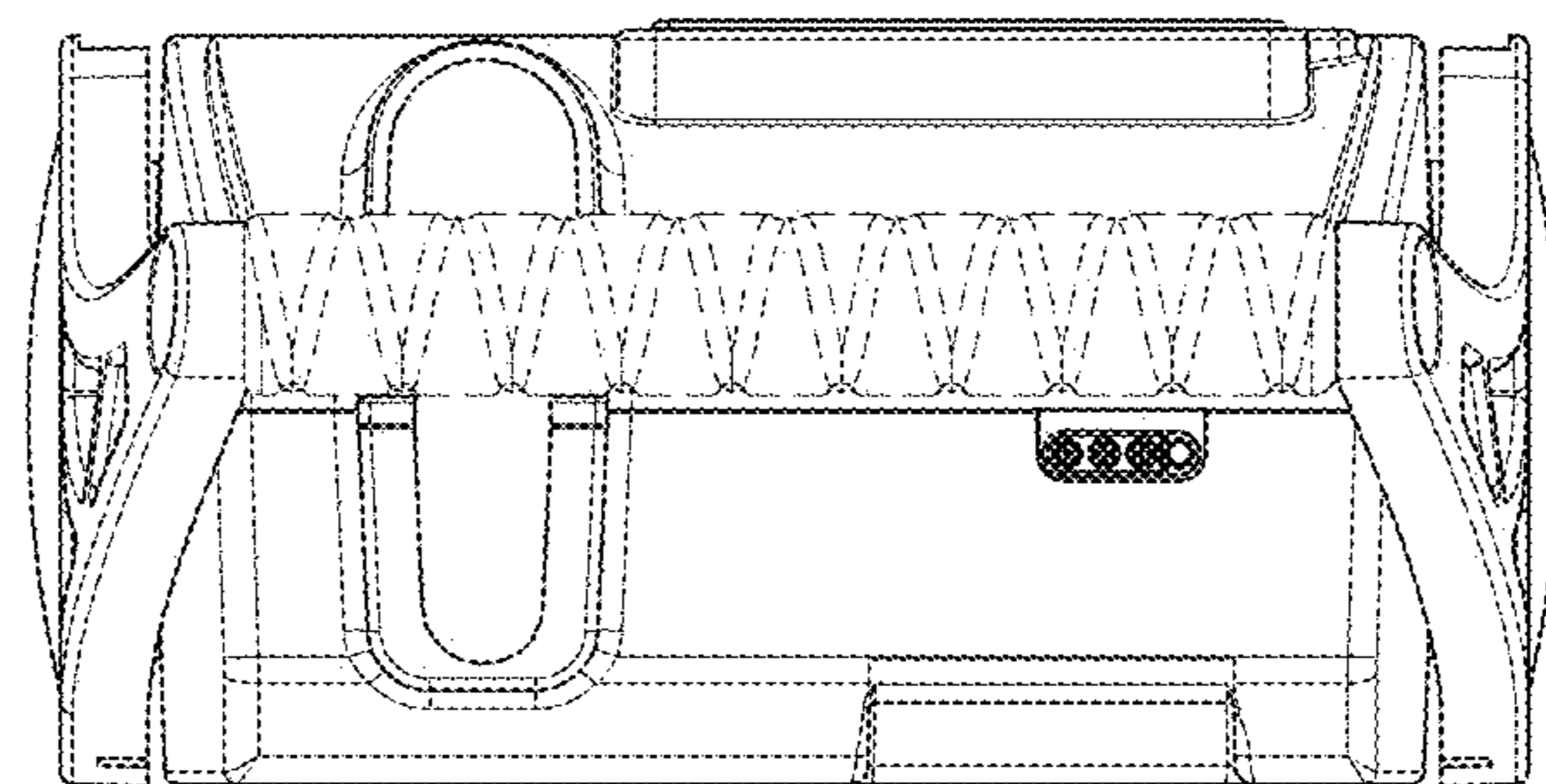


Fig. 6.

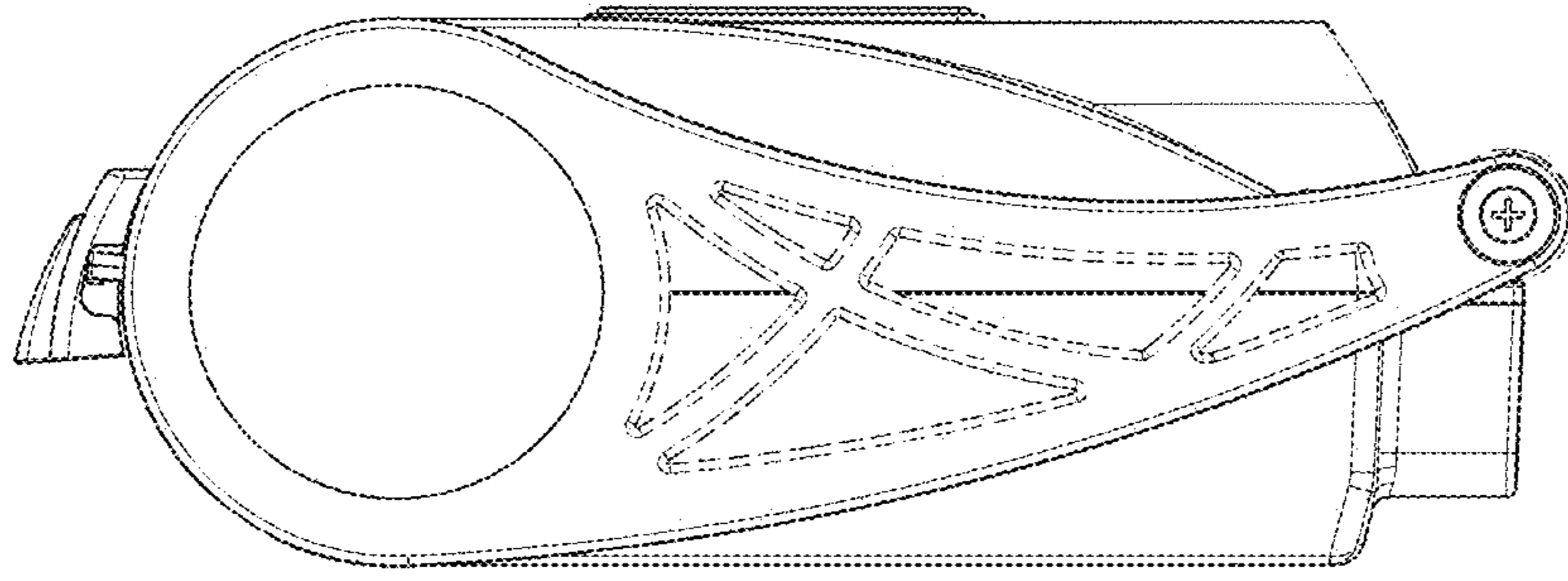


Fig. 7.

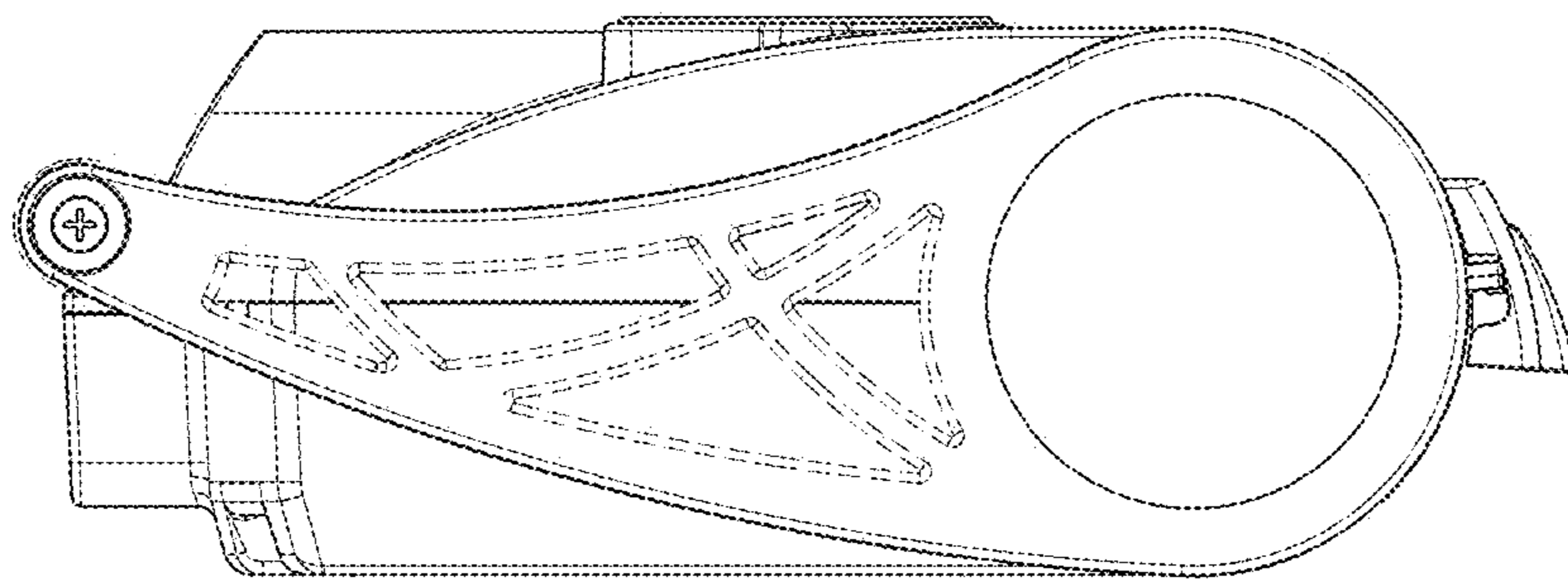


Fig. 8.

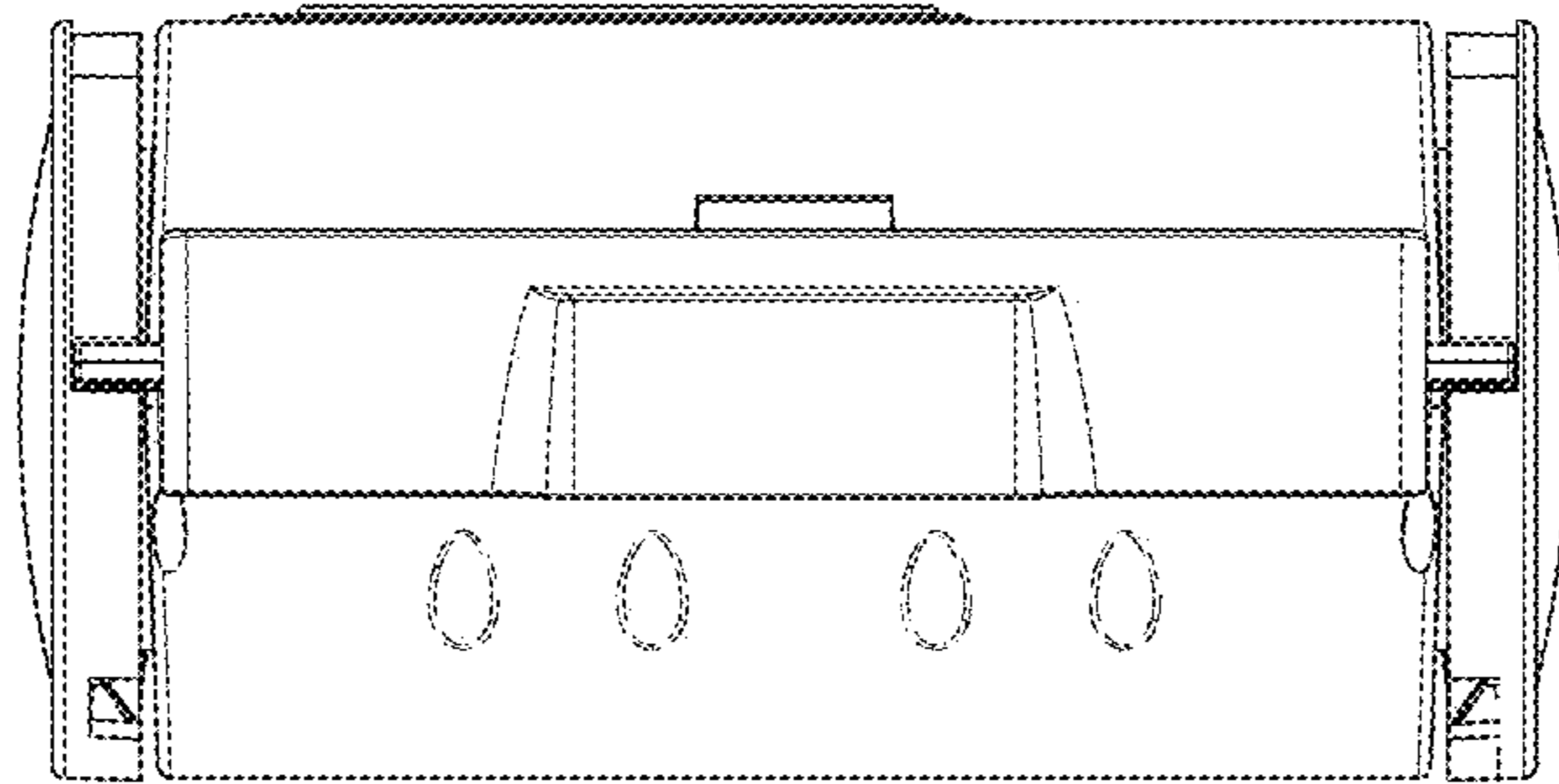


Fig. 9.

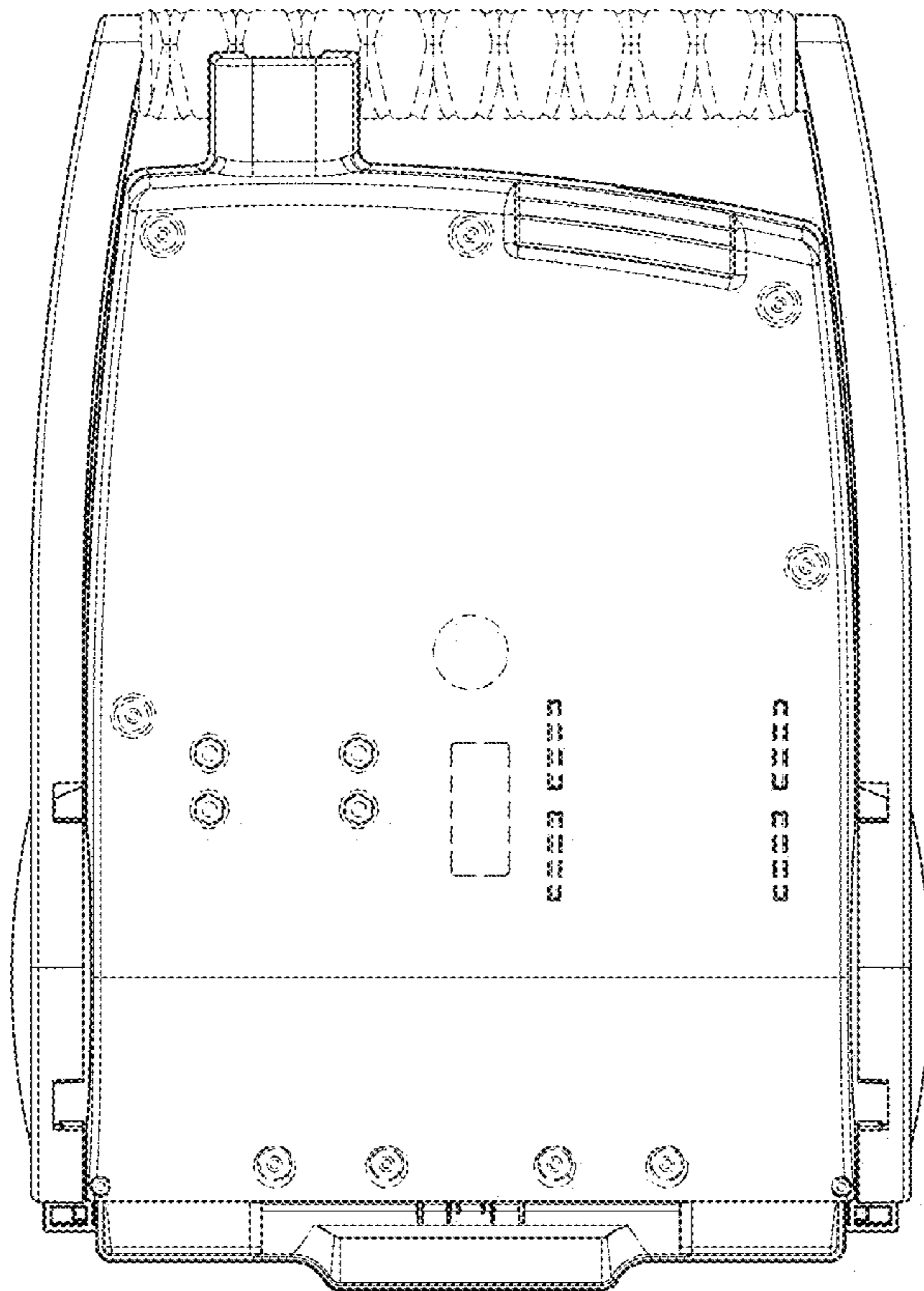


Fig. 10.