

US00D892183S

(12) **United States Design Patent** (10) **Patent No.:** **US D892,183 S**
Parendo et al. (45) **Date of Patent:** **** Aug. 4, 2020**

(54) STEP DRILL BIT	2,897,696 A * 8/1959 Tisserant B23B 51/009 408/225
(71) Applicant: MILWAUKEE ELECTRIC TOOL CORPORATION, Brookfield, WI (US)	3,564,945 A * 2/1971 Bradley B23B 51/009 408/224
(72) Inventors: Brett A. Parendo, Arvada, WI (US); Richard Hohnl, Jr., Racine, WI (US); David Hlavac, Germantown, WI (US); Alexander R. Greenhill, St. Louis, MO (US); Ingolfur Ludviksson, Wauwatosa, WI (US)	3,645,640 A * 2/1972 Zukas B23B 5/16 408/192
(73) Assignee: MILWAUKEE ELECTRIC TOOL CORPORATION, Brookfield, WI (US)	3,758,222 A * 9/1973 Oakes B23B 51/009 408/224
(**) Term: 15 Years	4,127,355 A * 11/1978 Oakes B23B 51/009 408/220
(21) Appl. No.: 29/726,559	4,189,266 A * 2/1980 Koslow B23B 51/0009 408/224
(22) Filed: Mar. 4, 2020	4,536,107 A * 8/1985 Sandy B27G 15/00 408/214
Related U.S. Application Data	4,582,458 A * 4/1986 Korb B23B 51/009 408/224
(62) Division of application No. 29/715,603, filed on Dec. 3, 2019, which is a division of application No. 29/645,681, filed on Apr. 27, 2018, now Pat. No. Des. 872,783.	D345,495 S * 3/1994 Priddy D8/70
(51) LOC (12) Cl. 15-09	5,427,477 A * 6/1995 Weiss B23B 5/168 408/1 R
(52) U.S. Cl. USPC D15/139	
(58) Field of Classification Search USPC 8/20, 70, 86; 15/132, 138, 139, 140 CPC B27G 15/00; Y10T 408/902; Y10T 408/9097; Y10T 408/90467 See application file for complete search history.	
(56) References Cited U.S. PATENT DOCUMENTS	
716,557 A * 12/1902 Klingensmith B27G 15/00 408/214	
2,607,562 A * 8/1952 Phipps E21B 10/26 175/391	

(Continued)

Primary Examiner — Patricia A Palasik
(74) *Attorney, Agent, or Firm* — Michael Best & Friedrich LLP

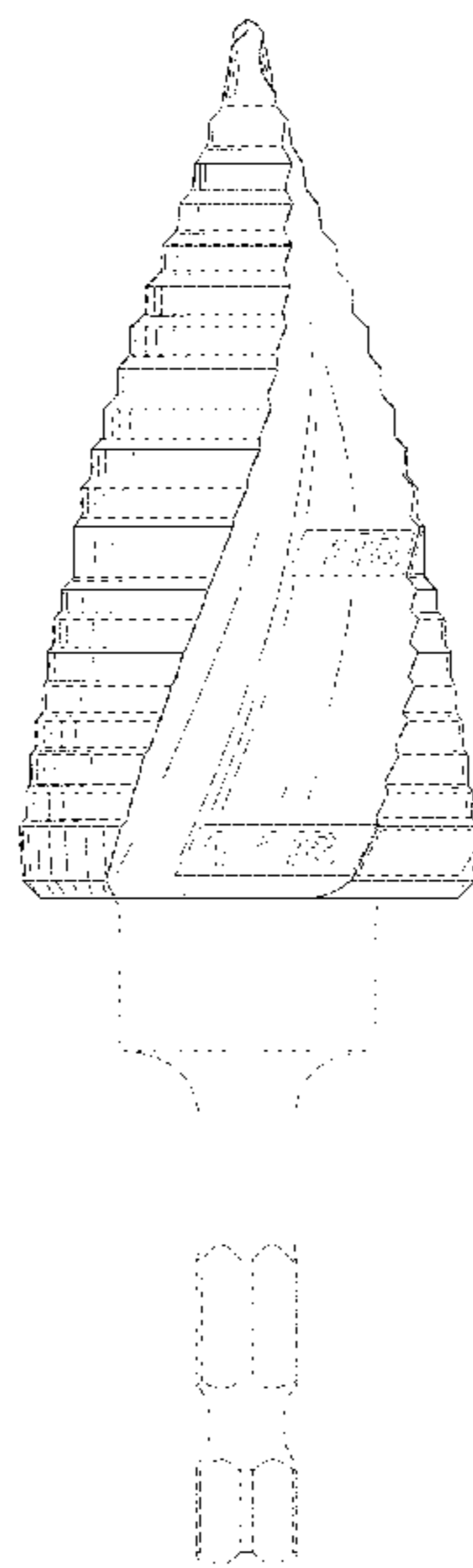
(57) **CLAIM**

We claim the ornamental design for a step drill bit, as shown and described.

DESCRIPTION

FIG. 1 is a first side view of a step drill bit embodying the invention.
FIG. 2 is a second side view of the step drill bit of FIG. 1.
FIG. 3 is a third side view of the step drill bit of FIG. 1; and,
FIG. 4 is a fourth side view of the step drill bit of FIG. 1.
The broken lines in the drawings depict portions of the step drill bit which form no part of the claimed design.

1 Claim, 2 Drawing Sheets



(56)

References Cited

U.S. PATENT DOCUMENTS

5,466,100	A *	11/1995	Ahluwalia	B23B 31/005	408/224
D390,239	S *	2/1998	Malin	D15/139	
5,820,319	A *	10/1998	Hull	B27G 15/00	408/214
D408,424	S *	4/1999	Schmotzer	D15/139	
5,915,893	A *	6/1999	Miyanaga	B23B 51/009	408/202
D419,575	S *	1/2000	Kouvelis	D15/139	
6,361,255	B1 *	3/2002	Schmotzer	B27G 15/00	408/1 R
D504,446	S *	4/2005	Kobayashi	D15/139	
D525,272	S *	7/2006	Duscha	D15/139	
D526,670	S *	8/2006	Ibey	D15/139	
D531,650	S *	11/2006	Switzer	D15/139	
7,171,871	B2 *	2/2007	Kozak	B23B 51/00	81/441
D559,874	S *	1/2008	Kobayashi	D15/139	
D580,462	S *	11/2008	Liao	D15/139	
D585,919	S *	2/2009	Cantlon	D15/139	
D585,920	S *	2/2009	Liao	D15/139	
D626,575	S *	11/2010	Washington, III	D15/139	
D664,167	S *	7/2012	Lampe	D15/139	
D678,369	S *	3/2013	Santamarina	D15/139	
D682,897	S *	5/2013	Evatt	D15/139	
D682,899	S *	5/2013	Evatt	D15/139	
D687,871	S *	8/2013	Liao	D15/139	
D709,111	S *	7/2014	Liao	D15/139	
8,764,355	B2 *	7/2014	Durfee	B23B 51/009	408/144
D724,125	S *	3/2015	Pierce	D15/139	
D734,792	S *	7/2015	Santamarina	D15/139	
D737,875	S *	9/2015	Santamarina	D15/139	
D741,924	S *	10/2015	Lee	D15/139	
9,676,041	B2 *	6/2017	Allen	B23B 51/009	
9,731,358	B2 *	8/2017	Allen	B23B 51/009	
10,245,656	B2 *	4/2019	Piper	B23B 51/009	
10,252,351	B2 *	4/2019	Allen	B23B 51/009	
10,328,500	B2 *	6/2019	Morton	B23B 51/009	
10,421,130	B2 *	9/2019	Van Essen	B25B 15/001	
D872,783	S *	1/2020	Parendo	D15/139	
2001/0010784	A1 *	8/2001	Giebmanns	B23B 51/02	408/214
2004/0076483	A1 *	4/2004	Singh	B23B 51/009	408/1 R
2006/0093448	A1 *	5/2006	Kelsey	B23B 51/009	408/224
2007/0264094	A1 *	11/2007	Seeley	B23B 51/009	408/224
2008/0029311	A1 *	2/2008	Seeley	B23B 51/009	175/413
2008/0166195	A1 *	7/2008	Gentry	B23B 51/009	408/224
2011/0038679	A1 *	2/2011	Kozak	B23B 35/00	408/1 BD
2012/0195704	A1 *	8/2012	White	B23B 51/0081	408/224
2017/0129022	A1	5/2017	Durfee			

* cited by examiner

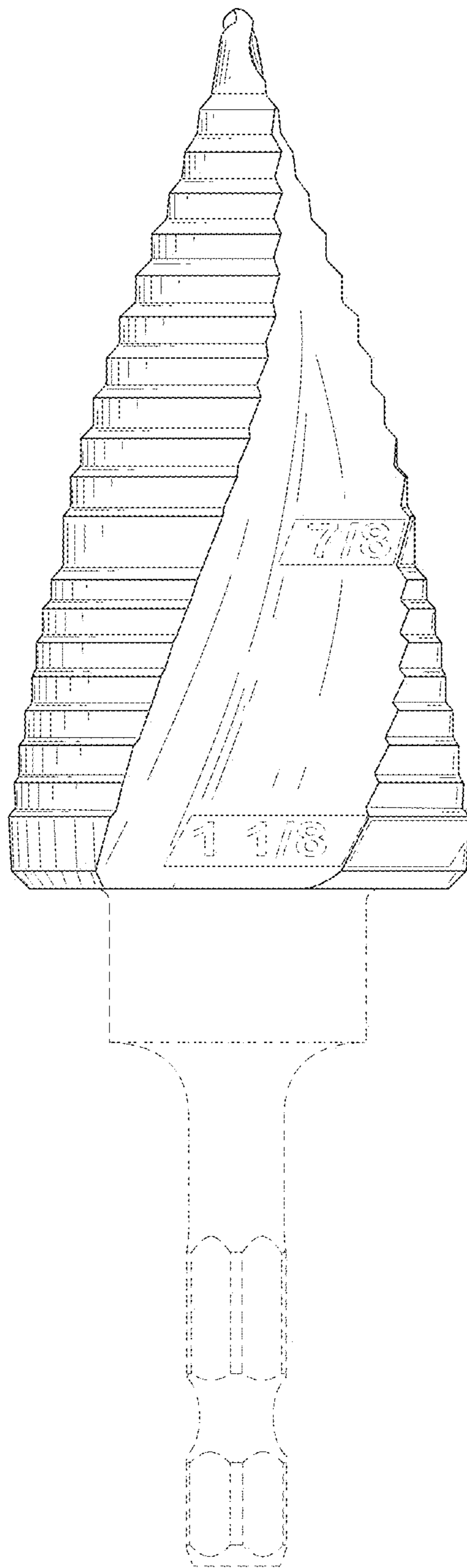


FIG. 1

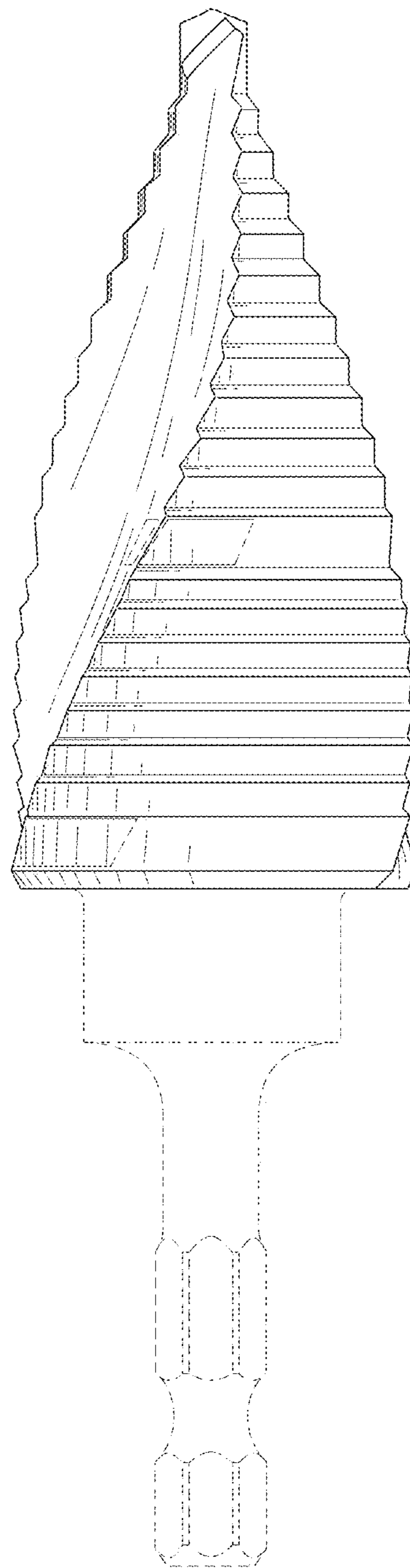


FIG. 2

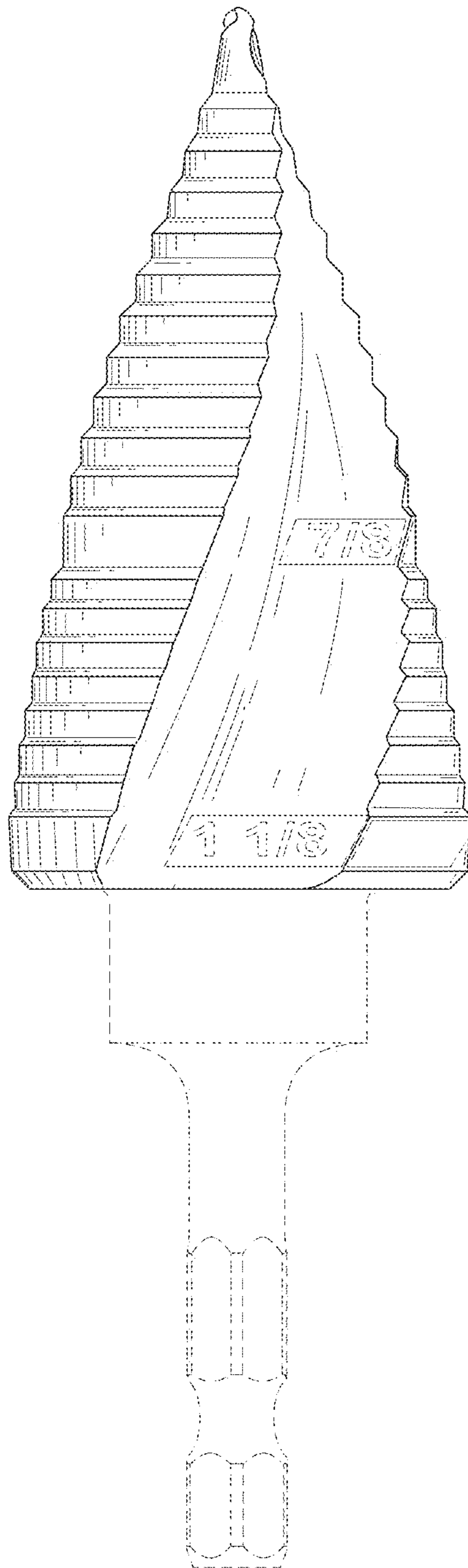


FIG. 3

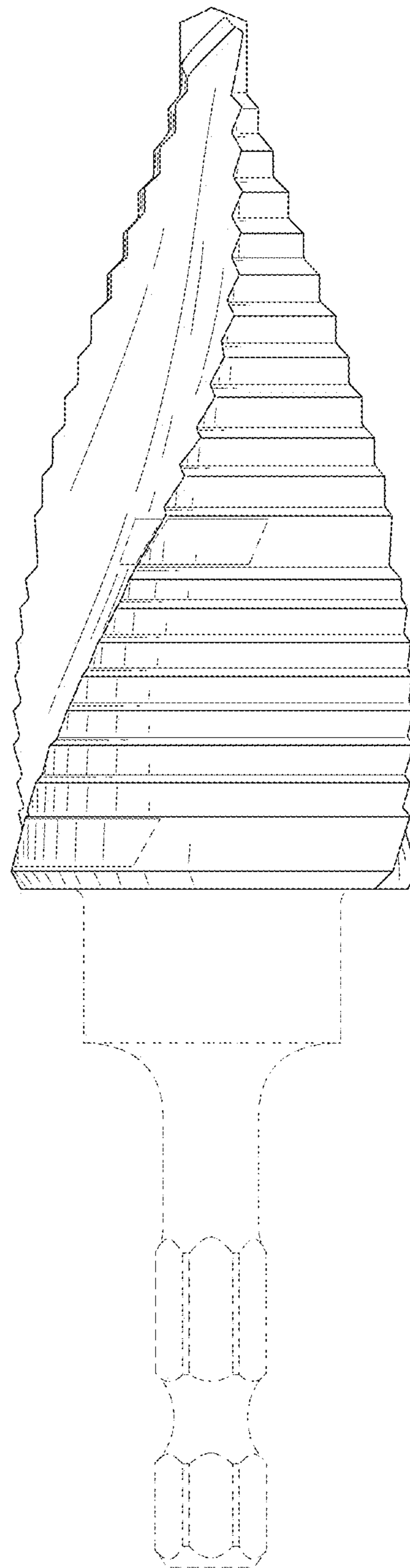


FIG. 4