



US00D892182S

(12) **United States Design Patent** (10) **Patent No.:** **US D892,182 S**  
**Ouyang et al.** (45) **Date of Patent:** **\*\* Aug. 4, 2020**

(54) **WASHING AND CURING MACHINE**

(56) **References Cited**

(71) Applicant: **Shenzhen Anycubic Technology Co., Ltd.**, Shenzhen (CN)

U.S. PATENT DOCUMENTS

(72) Inventors: **Xin Ouyang**, Shenzhen (CN); **Lu Ouyang**, Shenzhen (CN); **Yawei Li**, Shenzhen (CN)

D450,386 S *	11/2001	Wang	.....	D24/176
D661,021 S *	5/2012	Chang	.....	D28/54.1
D732,586 S *	6/2015	Chen	.....	D15/122
D735,267 S *	7/2015	Chung	.....	D18/50
D755,395 S	5/2016	Senn		
D763,330 S *	8/2016	Olive	.....	D15/122
D770,545 S *	11/2016	Olive	.....	D15/122
D777,808 S *	1/2017	Chang	.....	D15/122
D777,981 S *	1/2017	Oh	.....	D28/58
D785,085 S *	4/2017	Lee	.....	D18/55
D787,574 S *	5/2017	Lee	.....	D15/122

(73) Assignee: **Shenzhen Anycubic Technology Co., Ltd.**, Shenzhen (CN)

(\*\*) Term: **15 Years**

(Continued)

(21) Appl. No.: **29/726,691**

*Primary Examiner* — Michelle E. Wilson

(22) Filed: **Mar. 5, 2020**

(74) *Attorney, Agent, or Firm* — Andrew C. Cheng

(30) **Foreign Application Priority Data**

(57) **CLAIM**

Dec. 27, 2019 (CN) ..... 2019 3 0734036

The ornamental design for washing and curing machine, as shown and described.

(51) **LOC (12) Cl.** ..... **15-03**

**DESCRIPTION**

(52) **U.S. Cl.**

USPC ..... **D15/122**; D32/1

(58) **Field of Classification Search**

USPC ..... D15/122, 135, 138, 145, 146; D18/6, 7, D18/14, 19, 50, 54.1, 55; D32/1-6, D32/15-18, 25

CPC ..... G06T 11/206; G06T 11/60; G06T 15/00; G06T 2207/30201; G06T 7/0012; G06T 7/11; G06T 11/001; G06T 11/003; G06T 11/40; G06T 13/00; G06T 15/005; G06T 15/02; G06T 15/04; G06T 15/10; G06T 15/20; G06T 15/503; G06T 15/60; G06T 15/80; G06T 19/00; G06T 19/20; G06T 1/20; G06T 2200/24; G06T 2207/10024; G06T 2207/10068; G06T 2207/10132; G06T 2207/20221; G06T 2207/30028; G06T 2207/30048; G06T 2207/30104; G06T 7/00; G06T 7/149; G06T 7/248; G06T 7/64

FIG. 1 is a perspective view of a washing and curing machine showing my new design according to a first embodiment;

FIG. 2 is a front view thereof;

FIG. 3 is a rear view thereof;

FIG. 4 is a right side view thereof;

FIG. 5 is a left side view thereof;

FIG. 6 is a top plan view thereof;

FIG. 7 is a bottom plan view thereof;

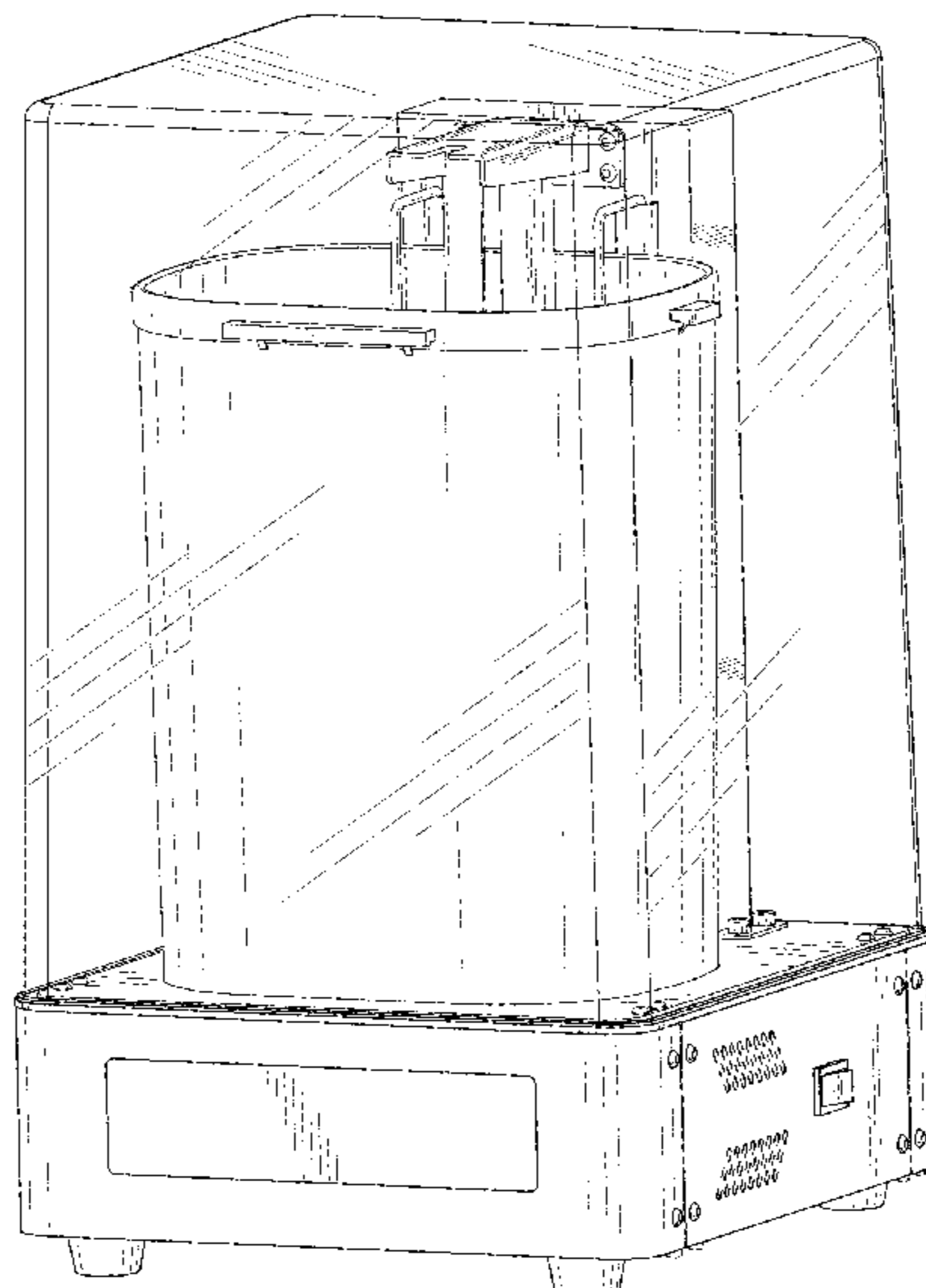
FIG. 8 is a perspective view of the machine when a transparent cover is open; and,

FIG. 9 is a perspective view showing a main body of the machine.

The broken lines are for the purposes of illustrating portions of the washing and curing machine and form no part of the claimed design.

See application file for complete search history.

**1 Claim, 9 Drawing Sheets**



(56)

**References Cited**

U.S. PATENT DOCUMENTS

D788,843 S *	6/2017	Lee .....	D18/55
D805,692 S	12/2017	Cheng	
D808,453 S *	1/2018	Share .....	D15/199
D809,574 S *	2/2018	Lin .....	D15/122
D810,156 S *	2/2018	Lin .....	D15/135
D835,162 S	12/2018	Reches et al.	
D856,603 S *	8/2019	Hong .....	D30/122
D858,590 S *	9/2019	Kazaoka .....	D15/122
D886,167 S *	6/2020	Wang .....	D15/122

\* cited by examiner

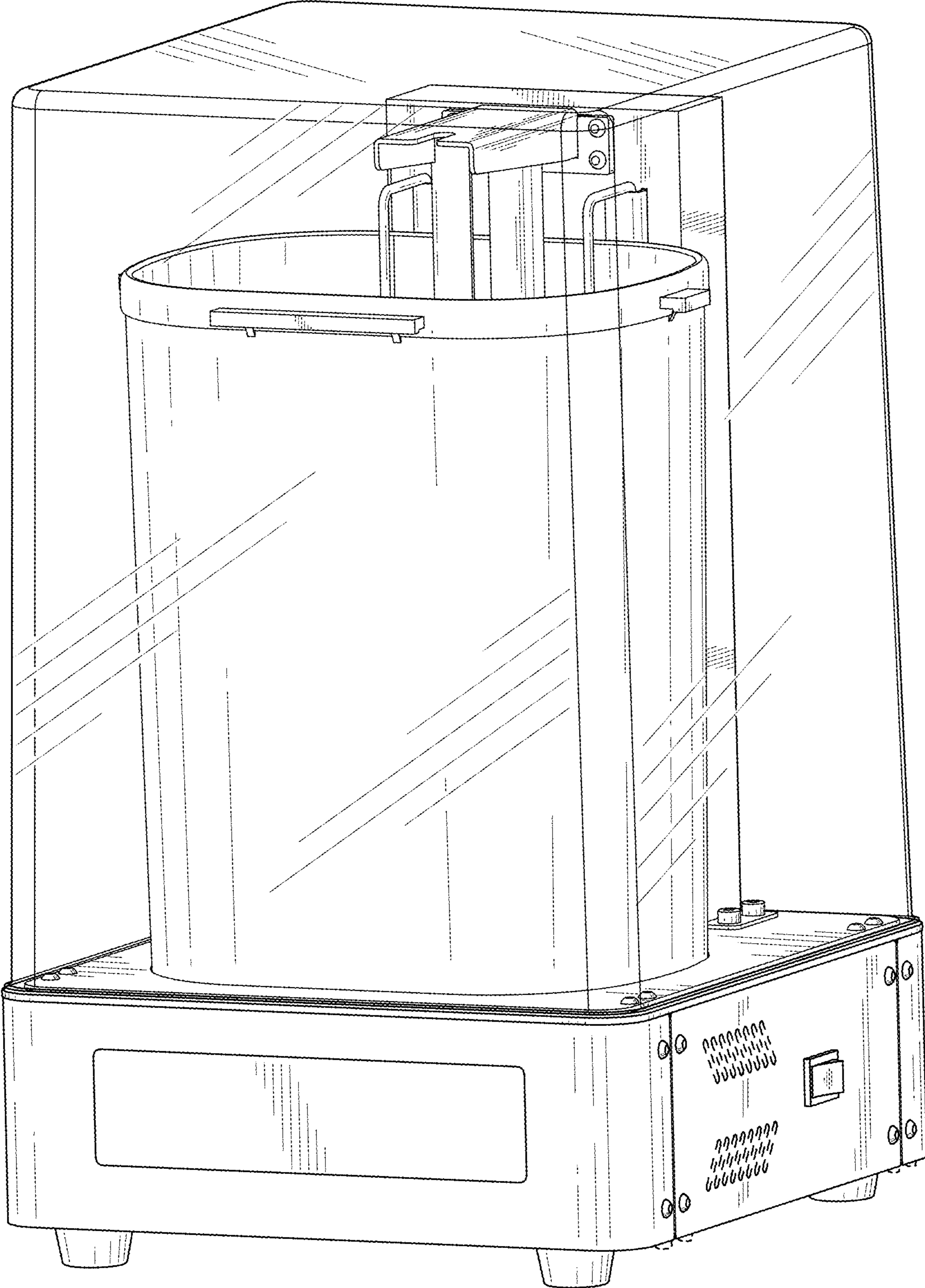


FIG. 1

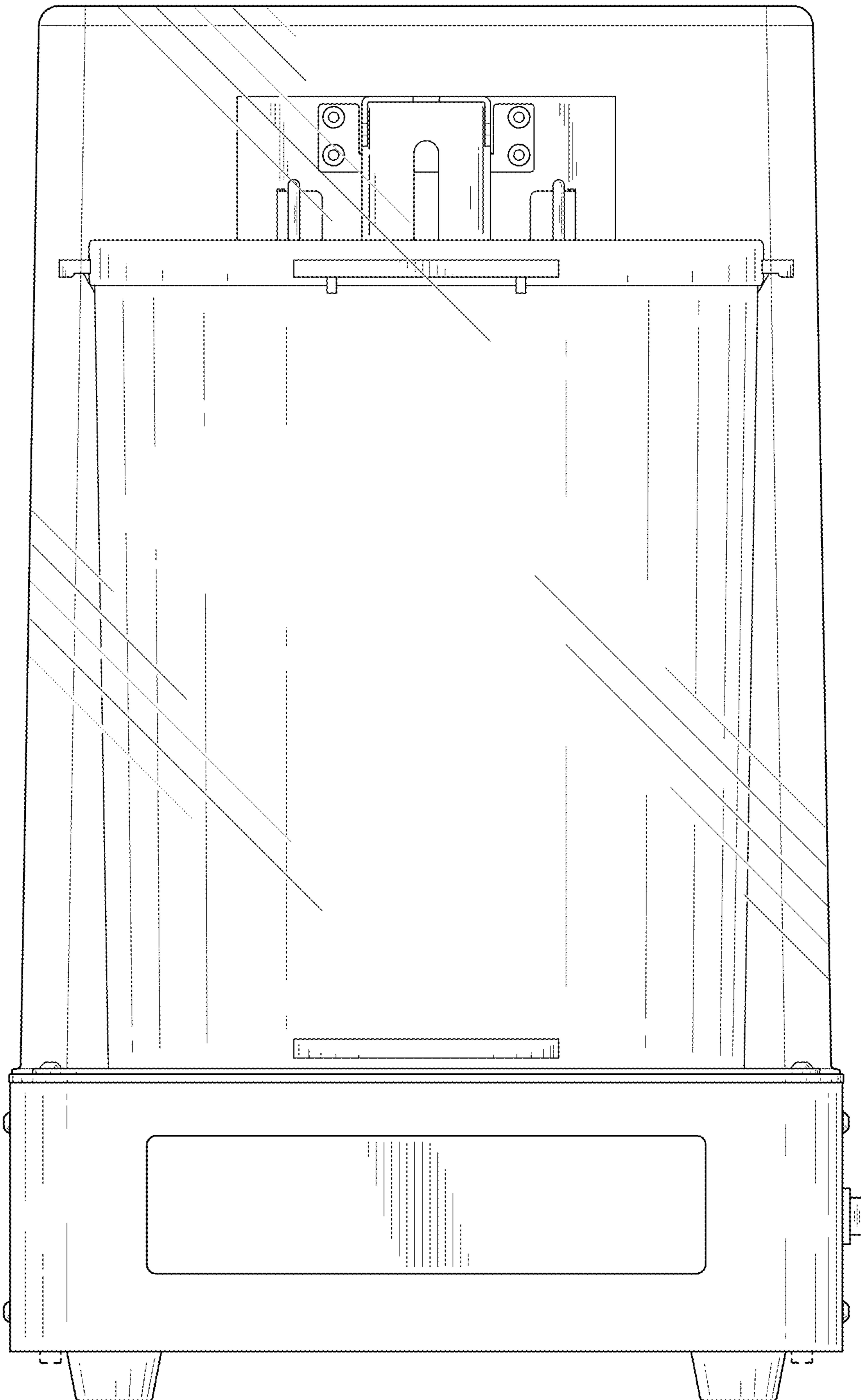


FIG. 2

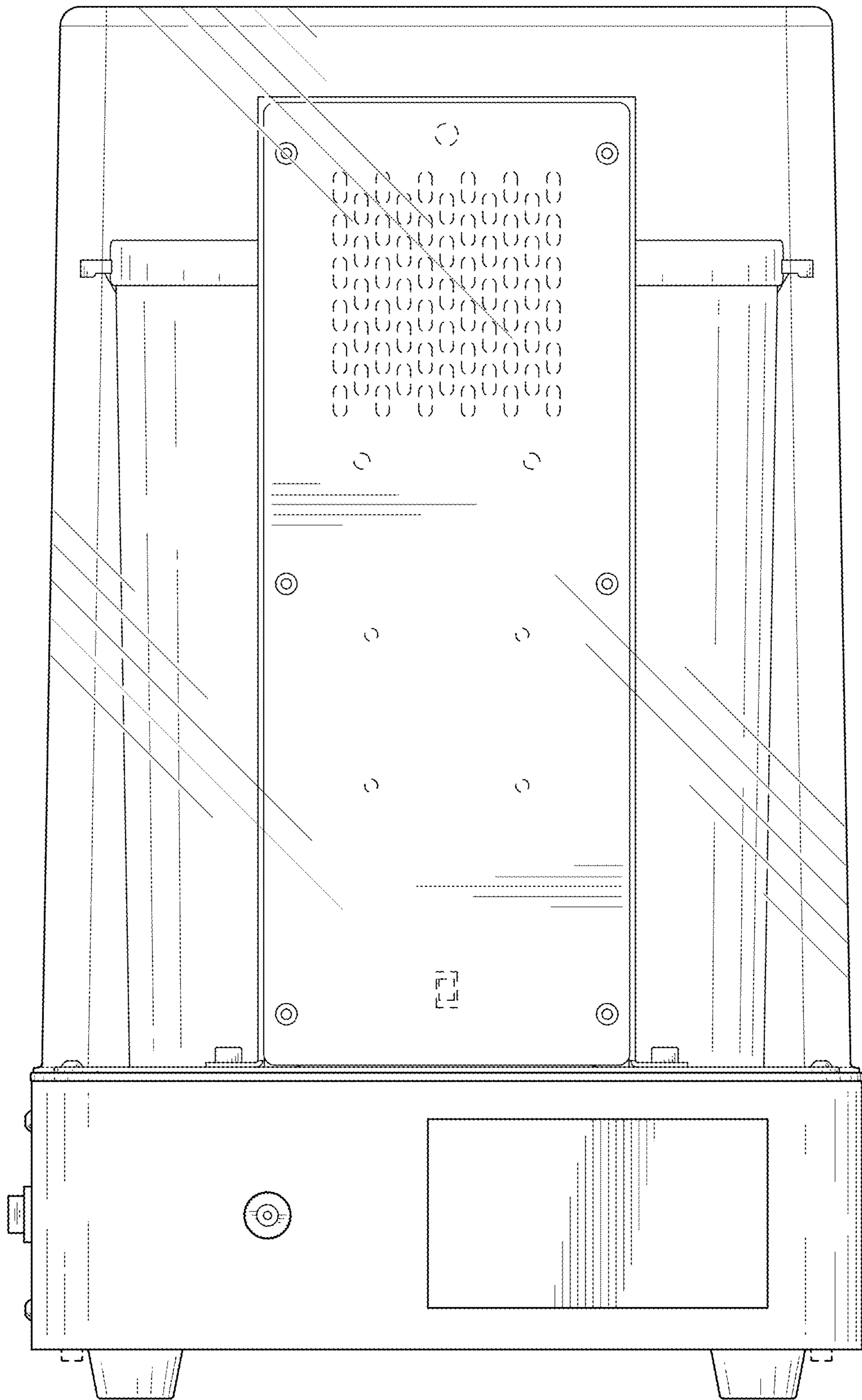


FIG. 3

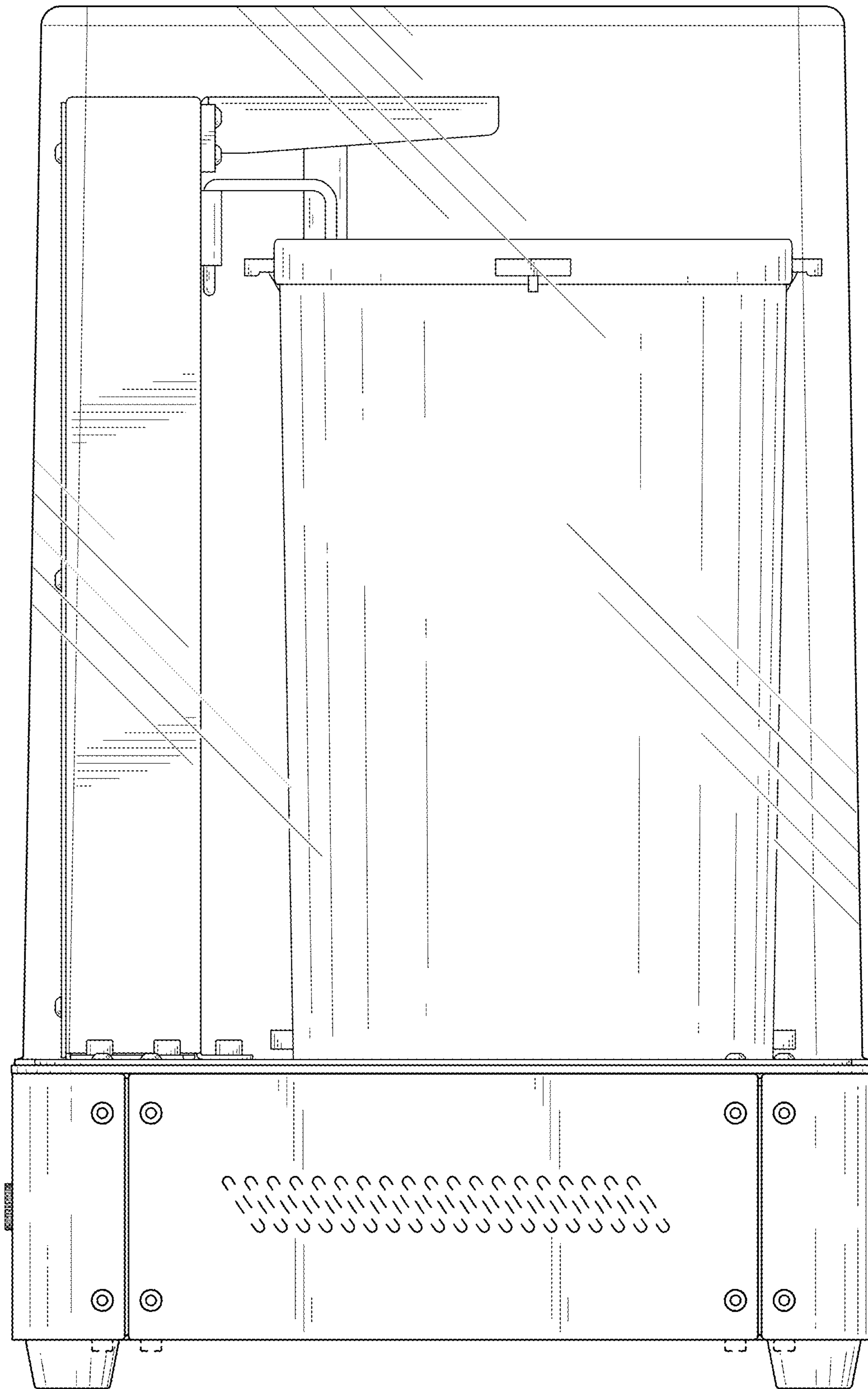


FIG. 4

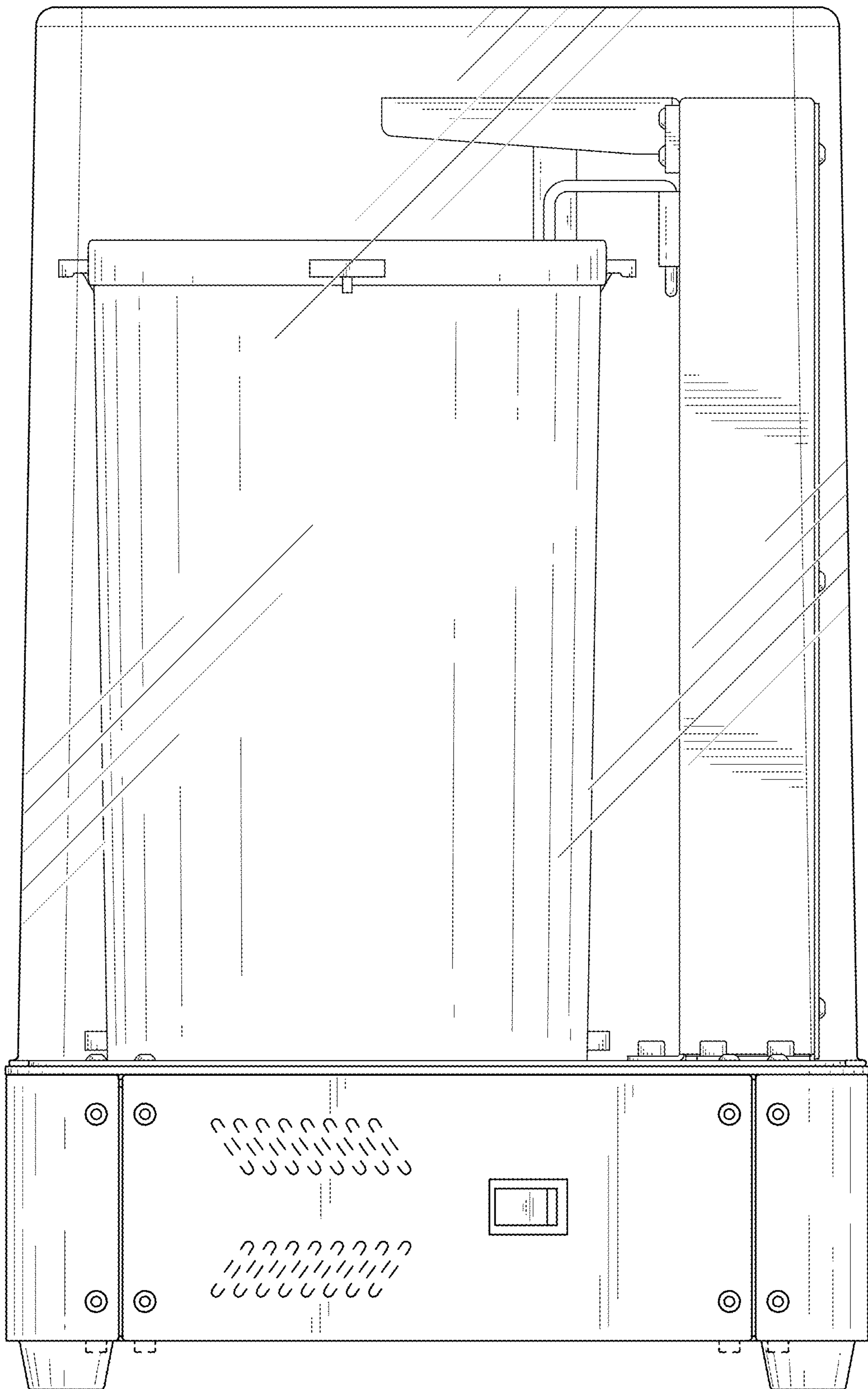


FIG. 5

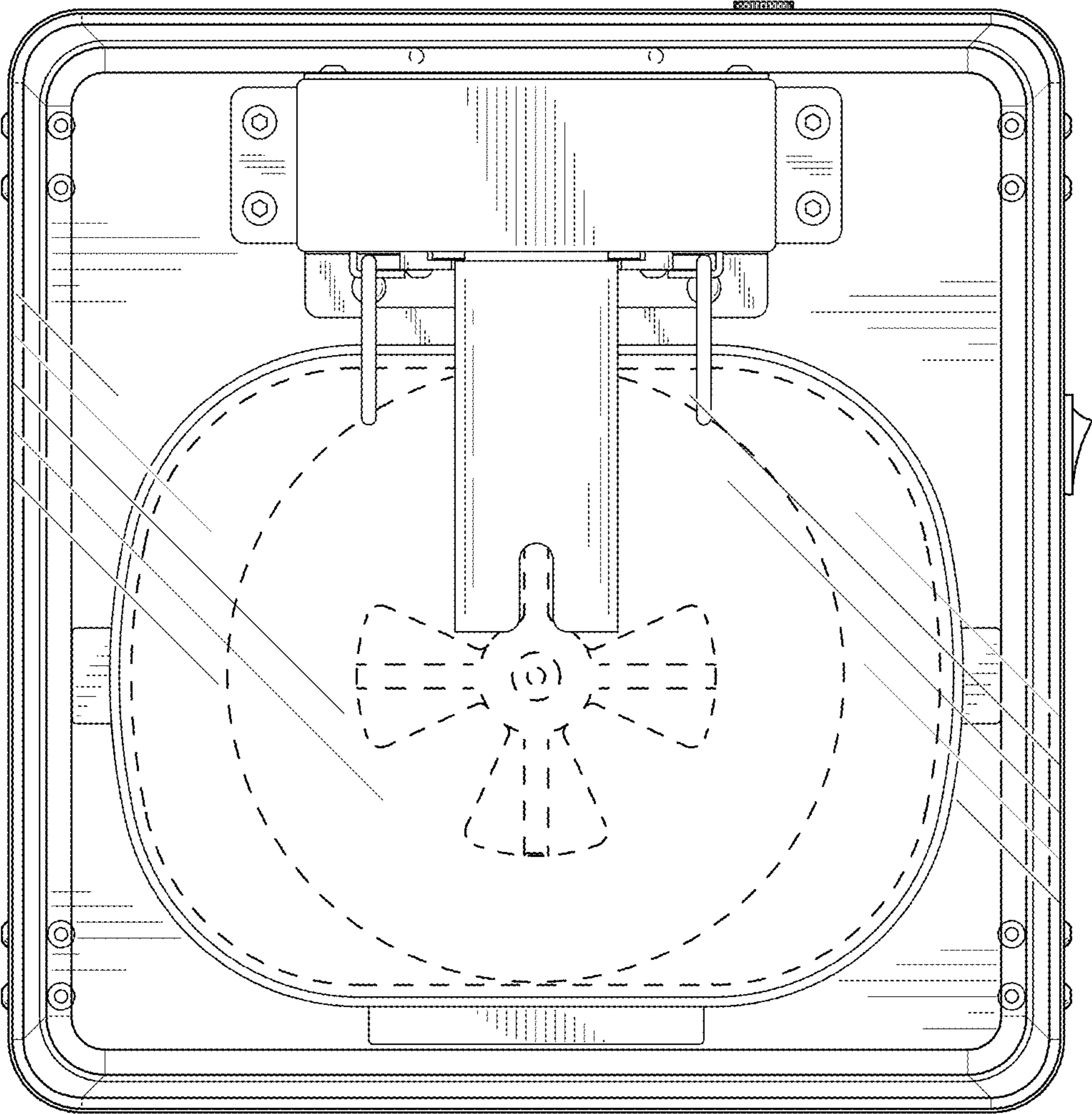


FIG. 6



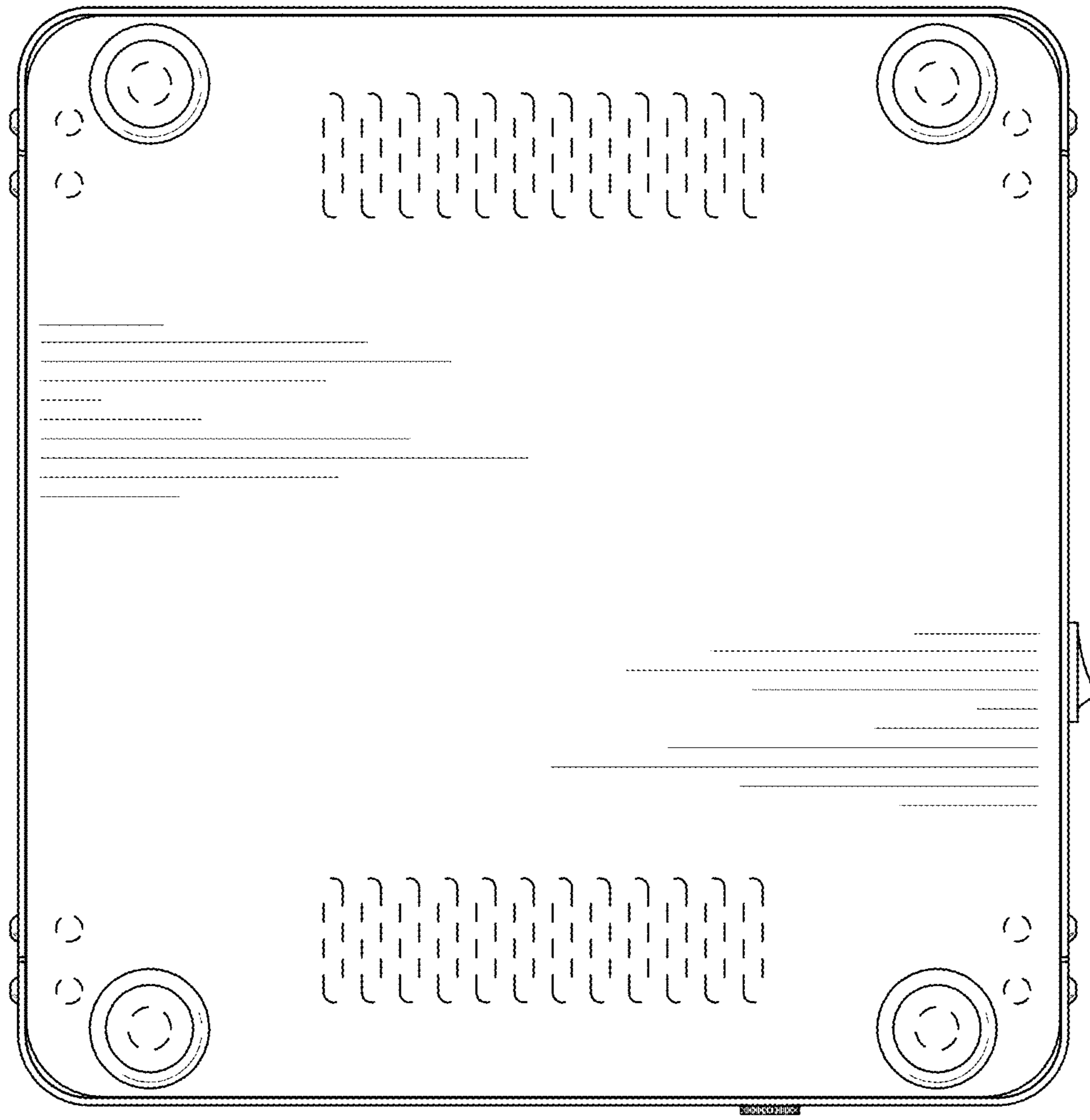


FIG. 7

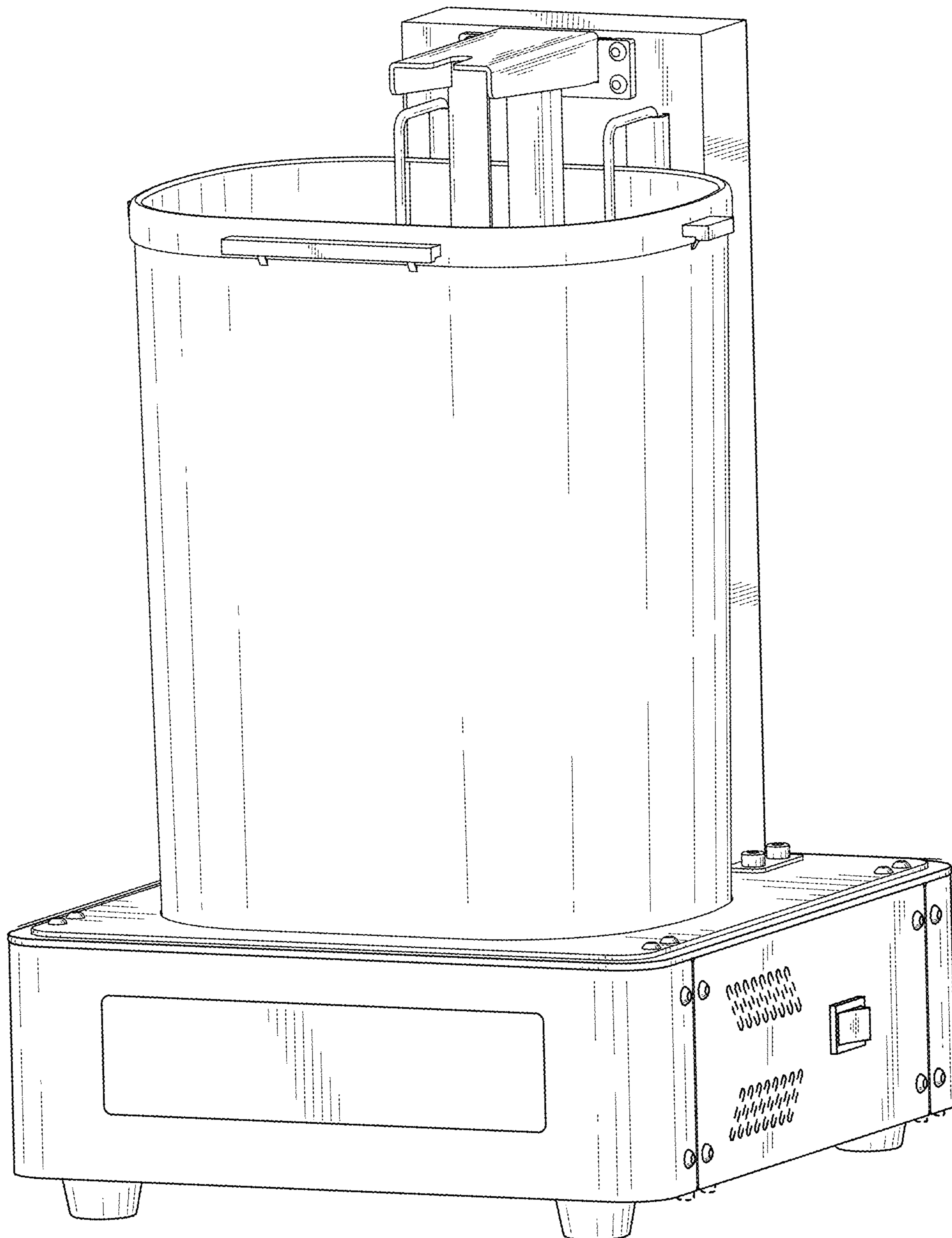


FIG. 8

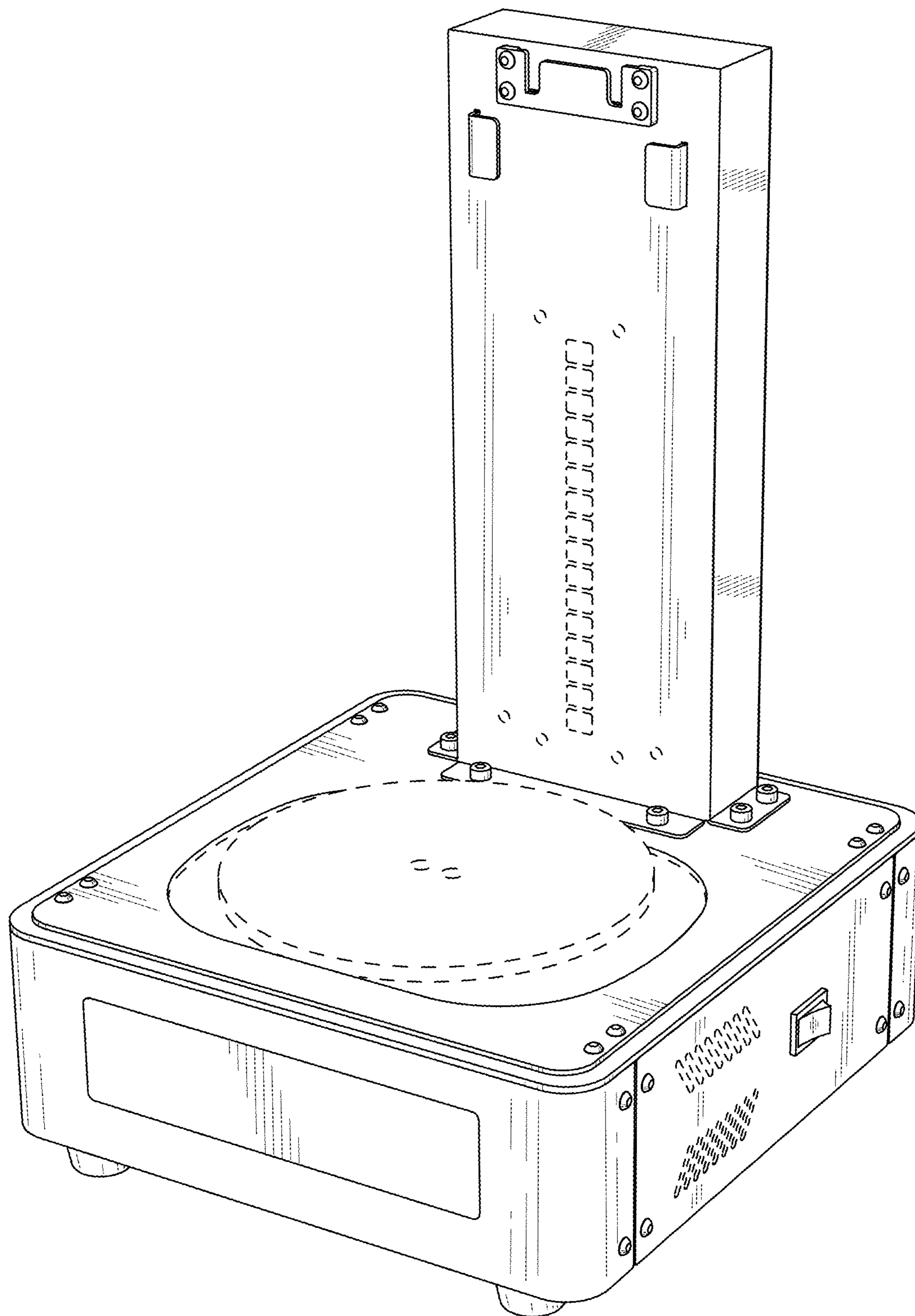


FIG. 9