



US00D892181S

(12) **United States Design Patent** (10) **Patent No.:** **US D892,181 S**
Blutbacher (45) **Date of Patent:** **** Aug. 4, 2020**

(54) **LASER MACHINE**

(71) Applicant: **ZELTWANGER Holding GmbH,**
Tübingen (DE)

(72) Inventor: **Sascha Blutbacher,** Dusslingen (DE)

(73) Assignee: **ZELTWANGER Holding GmbH,**
Tubingen (DE)

(**) Term: **15 Years**

(21) Appl. No.: **29/625,566**

(22) Filed: **Nov. 10, 2017**

(30) **Foreign Application Priority Data**

May 11, 2017 (EM) 003994904-0001
May 11, 2017 (EM) 003994904-0002

(51) **LOC (12) Cl.** **15-09**

(52) **U.S. Cl.**
USPC **D15/122; D15/127**

(58) **Field of Classification Search**
USPC D15/122, 127, 130
CPC .. B23K 26/38; B23K 26/702; B23K 26/0846;
B23K 26/0869; B23K 2101/16
See application file for complete search history.

(56) **References Cited**

U.S. PATENT DOCUMENTS

D241,160 S * 8/1976 Marshall et al. D15/122
D261,390 S * 10/1981 Harvill D7/307
D419,573 S * 1/2000 Kawahara D15/122
D420,686 S * 2/2000 Kunema D15/127
D424,584 S * 5/2000 Kawahara D15/122
D444,800 S * 7/2001 Miller D15/122
D464,363 S * 10/2002 Saito D15/122
D489,077 S * 4/2004 Bloch D15/122
D495,723 S * 9/2004 Kawamura D15/127
D548,754 S * 8/2007 Itabashi D15/122
D548,755 S * 8/2007 Takeshima D15/122

D557,295 S * 12/2007 Formanek D15/127
D559,283 S * 1/2008 Takeda D15/127
D559,871 S * 1/2008 Kittaka D15/122
D603,430 S * 11/2009 Masauji D15/122
D603,431 S * 11/2009 Masauji D15/122
D635,595 S * 4/2011 Hiroshima D15/122
D635,596 S * 4/2011 Hiroshima D15/122
D636,796 S * 4/2011 Hiroshima D15/122
D637,631 S * 5/2011 Hiroshima D15/122
D654,518 S * 2/2012 Miyake D15/122

(Continued)

Primary Examiner — Patricia A Palasik

(74) Attorney, Agent, or Firm — Arent Fox LLP

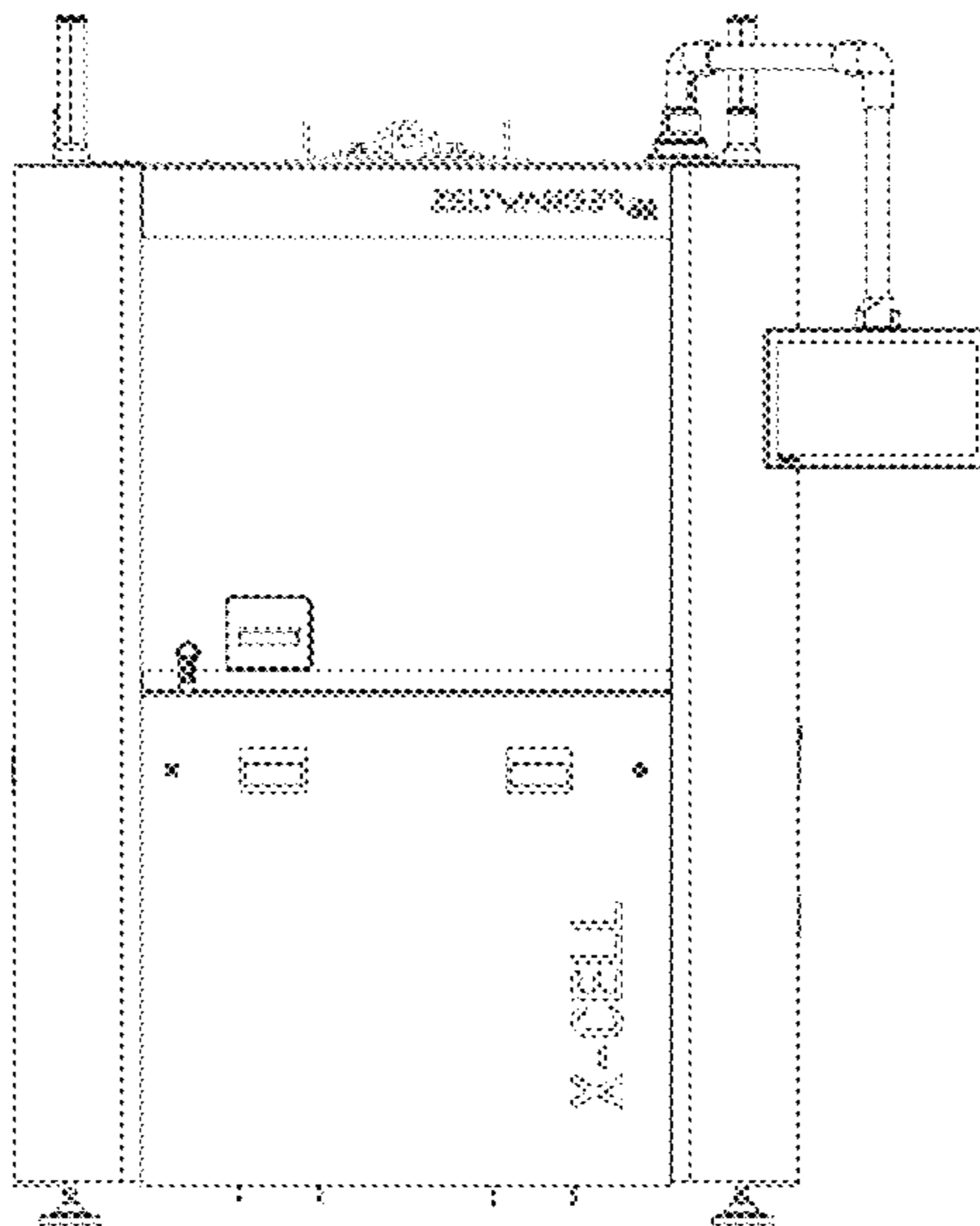
(57) **CLAIM**

The ornamental design for a laser machine, as shown and described.

DESCRIPTION

FIG. 1 is a front view of a first embodiment of a laser machine showing my new design;
FIG. 2 is a left side view of the laser machine shown in FIG. 1;
FIG. 3 is a rear side view of the laser machine shown in FIG. 1;
FIG. 4 is a top plan view of the laser machine shown in FIG. 1;
FIG. 5 is a front view of a second embodiment of a laser machine showing my new design;
FIG. 6 is a left side view of the laser machine shown in FIG. 5;
FIG. 7 is a rear side view of the laser machine shown in FIG. 5; and,
FIG. 8 is a top plan view of the laser machine shown in FIG. 5.
The bottom view of the laser machines of FIGS. 1 and 5 is omitted as it is not part of the claimed design. The broken lines in the drawings depict portions of the laser machine that form no part of the claimed design.

1 Claim, 8 Drawing Sheets



(56)

References Cited

U.S. PATENT DOCUMENTS

D659,174	S	*	5/2012	Mueller	D15/122
D659,728	S	*	5/2012	Mueller	D15/122
D664,570	S	*	7/2012	Mueller	D15/122
D667,030	S	*	9/2012	Hiroshima	D15/122
D667,031	S	*	9/2012	Mueller	D15/122
D683,771	S	*	6/2013	Shimano	D15/122
D690,331	S	*	9/2013	Kitamura	D15/122
D690,744	S	*	10/2013	Koide	D15/122
D690,745	S	*	10/2013	Koide	D15/122
D693,859	S	*	11/2013	Kitamura	D15/122
D696,315	S	*	12/2013	Schmid	D15/122
D711,947	S	*	8/2014	Son	D15/199
D716,351	S	*	10/2014	Kitamura	D15/122
D717,840	S	*	11/2014	Schonherr	D15/122
D718,353	S	*	11/2014	Kato	D15/122
D745,070	S	*	12/2015	Schindler	D15/122
D759,133	S	*	6/2016	Kitamura	D15/122
D759,738	S	*	6/2016	Schonherr	D15/122
9,415,474	B2	*	8/2016	Lee	B23Q 11/00
D794,099	S	*	8/2017	Gallo	D15/122
D798,917	S	*	10/2017	Gallo	D15/122
D816,741	S	*	5/2018	Nicaise	D15/122
D841,701	S	*	2/2019	Gallo	D15/122

* cited by examiner

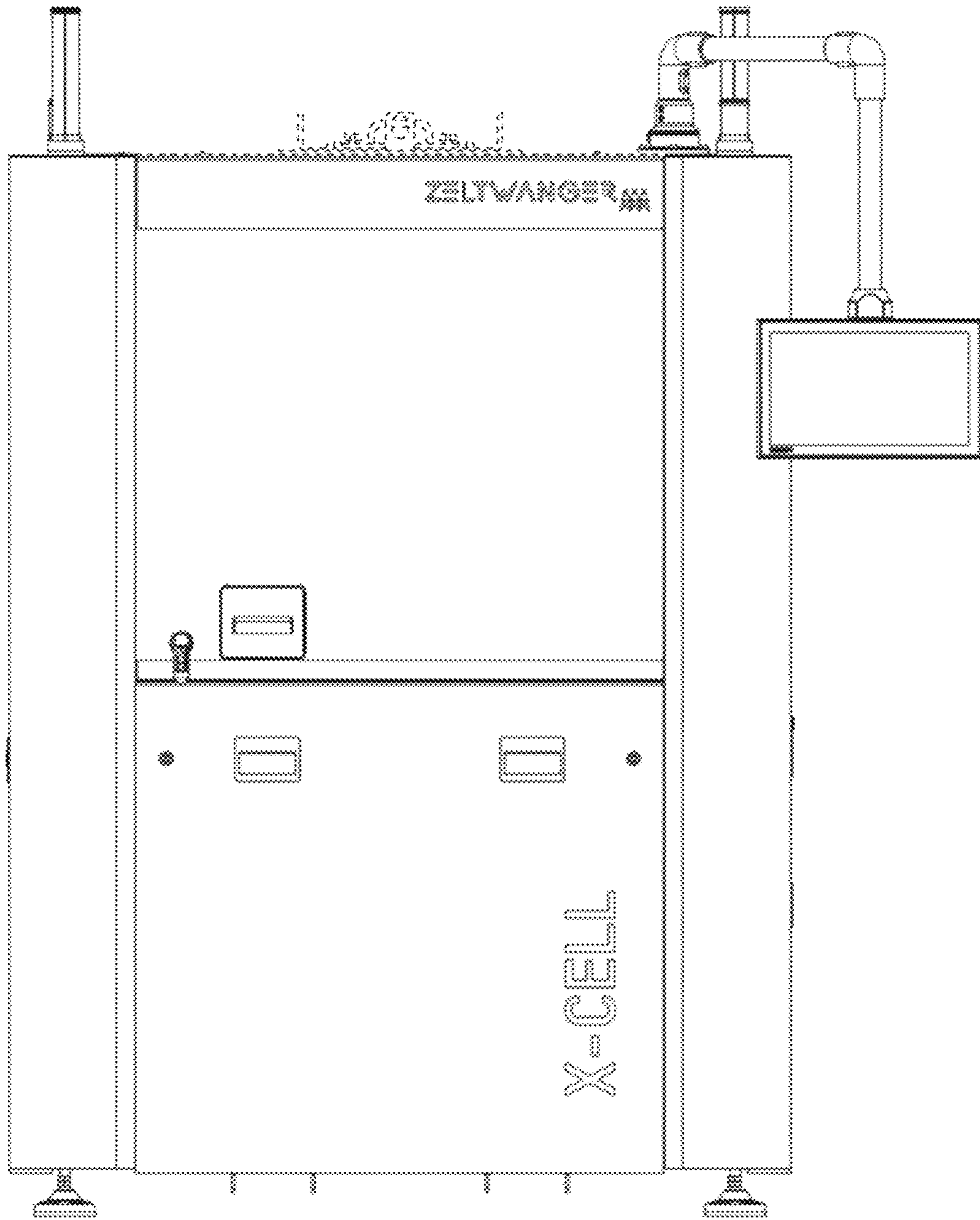


FIG. 1

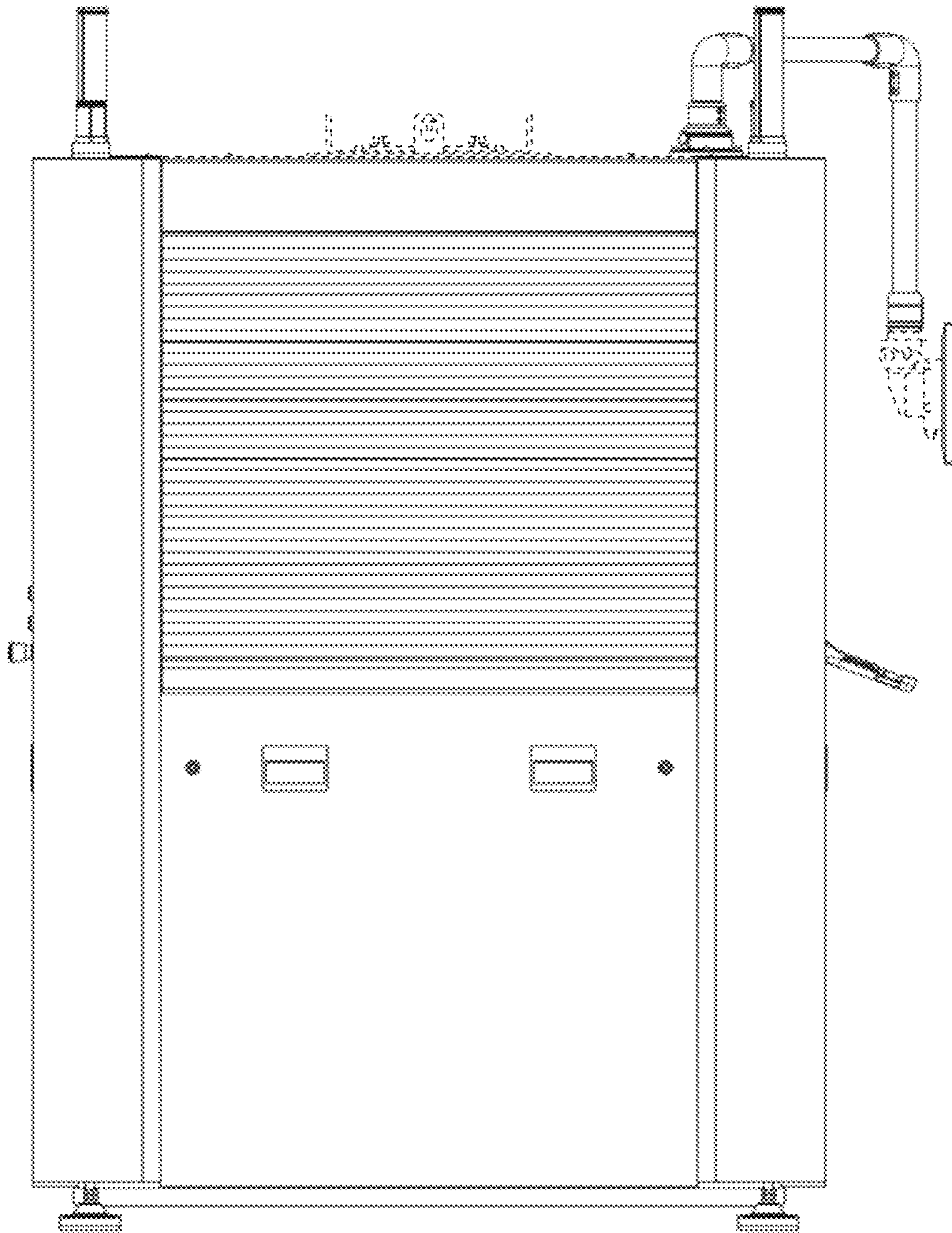


FIG. 2

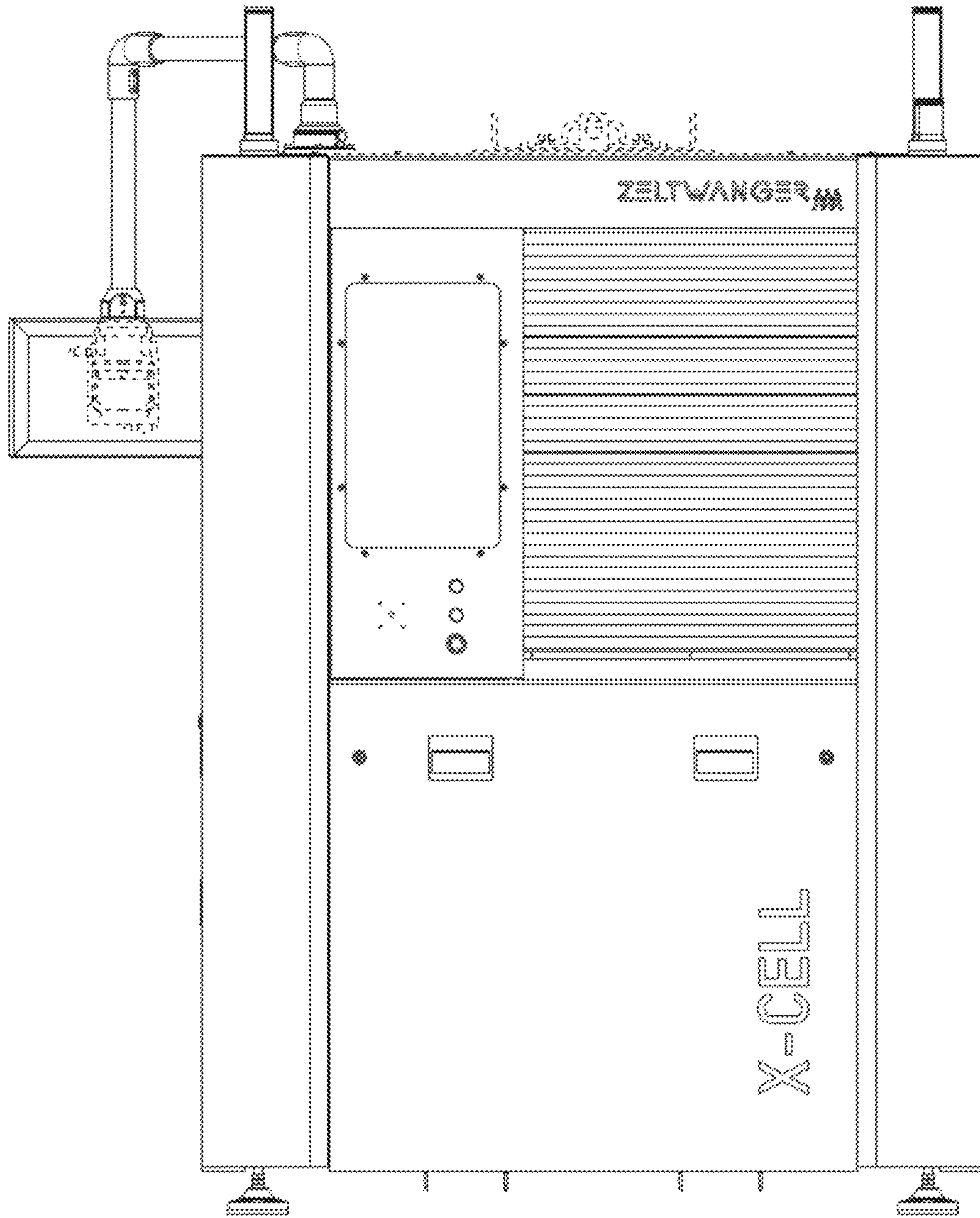


FIG. 3

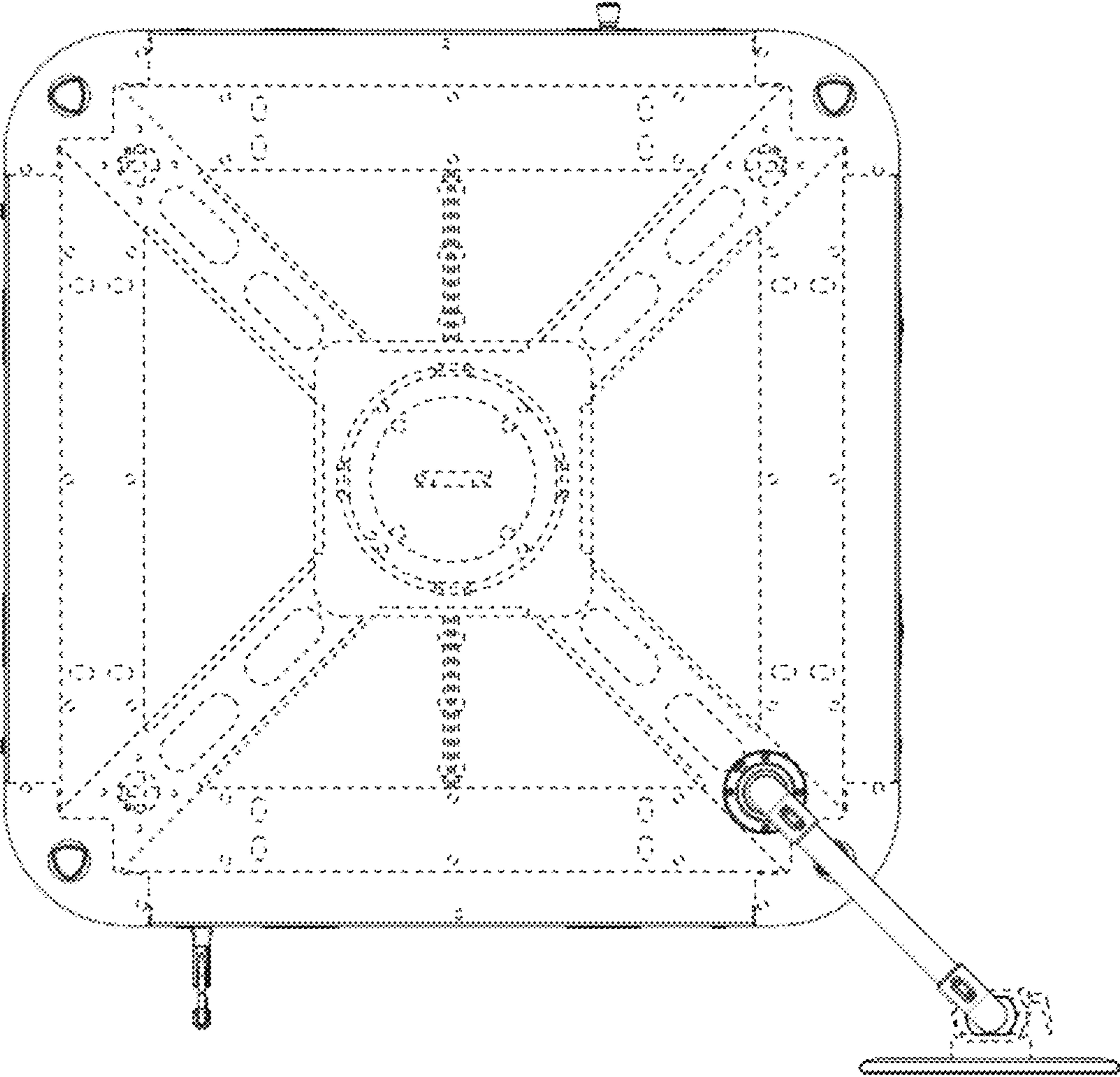


FIG. 4

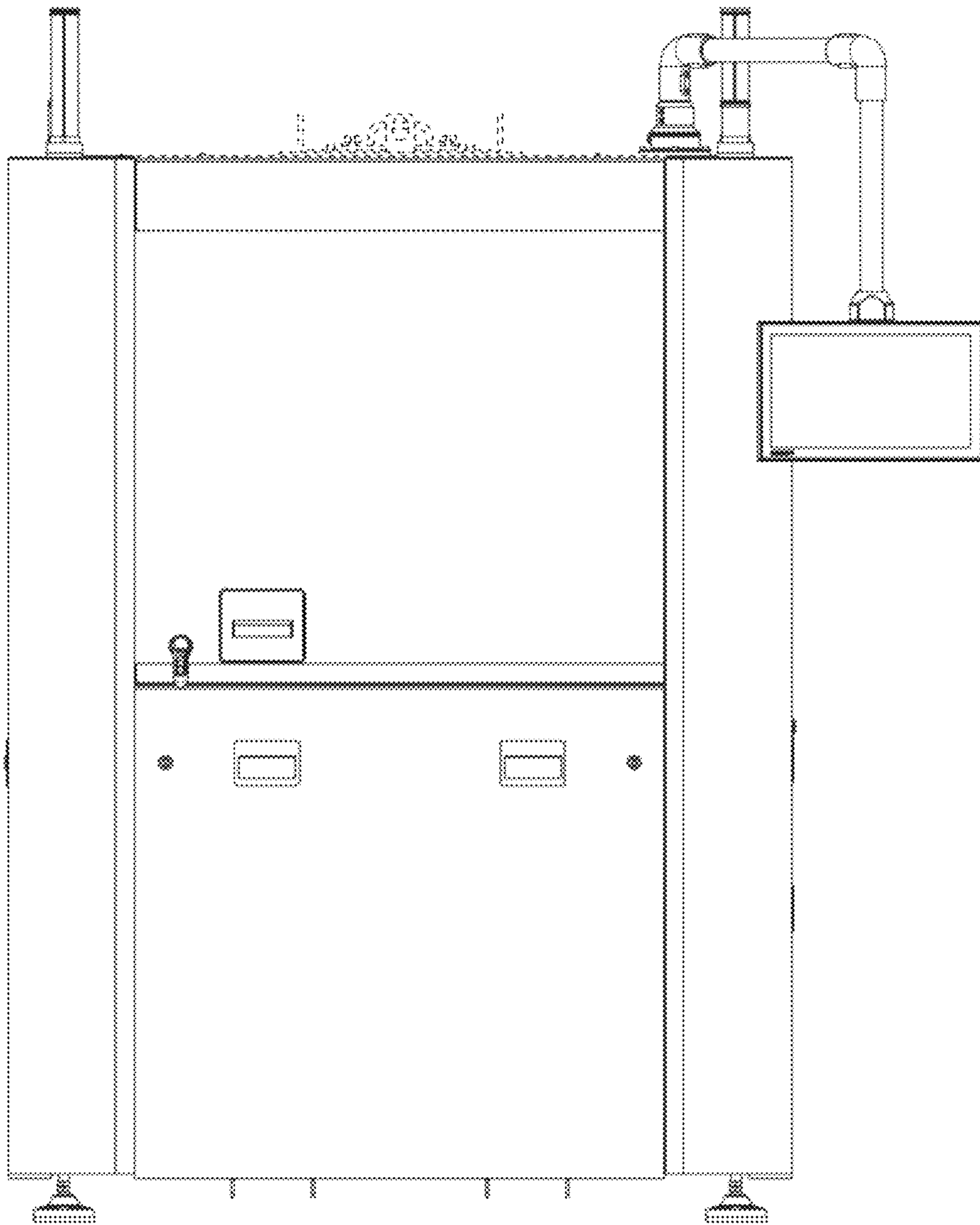


FIG. 5

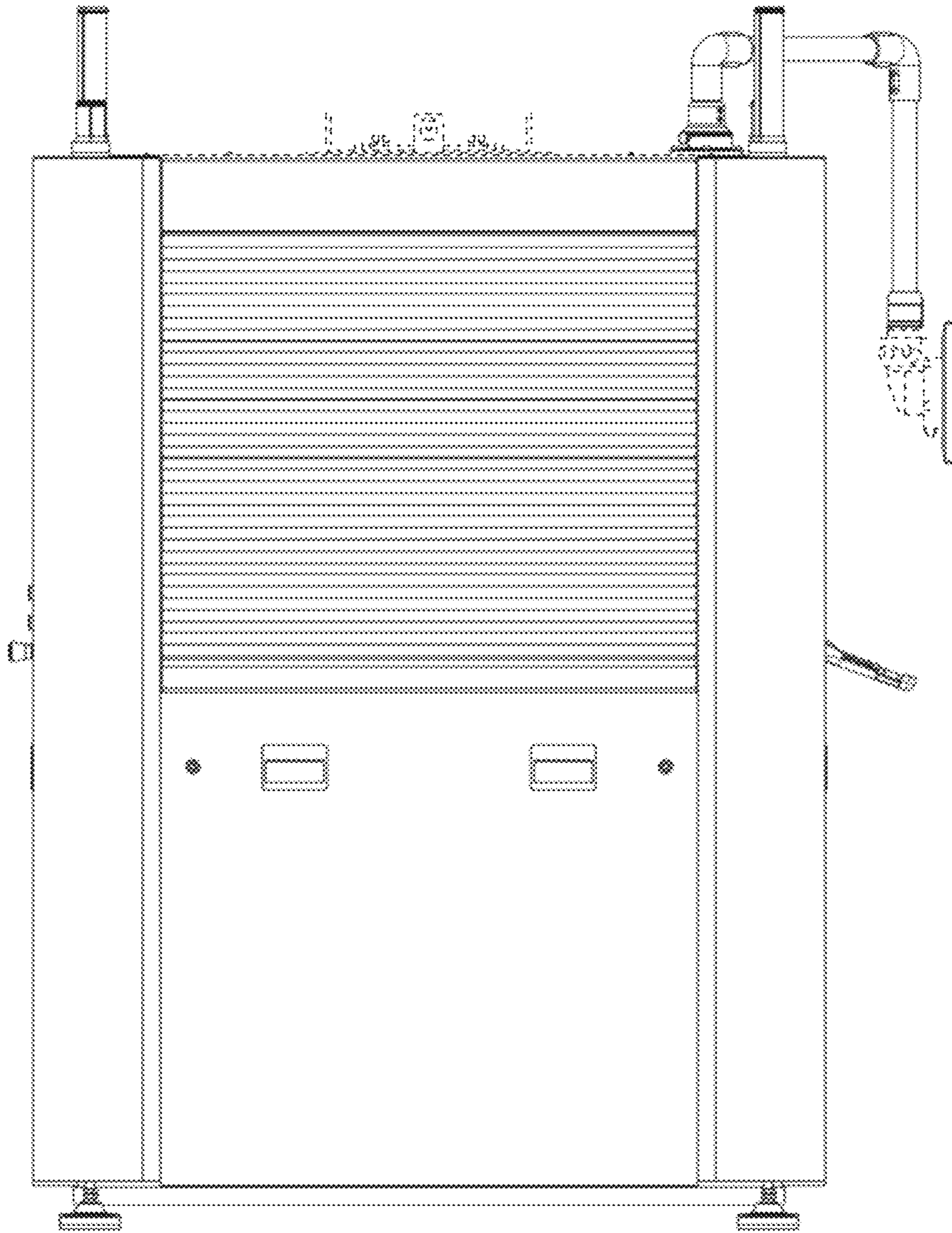


FIG. 6

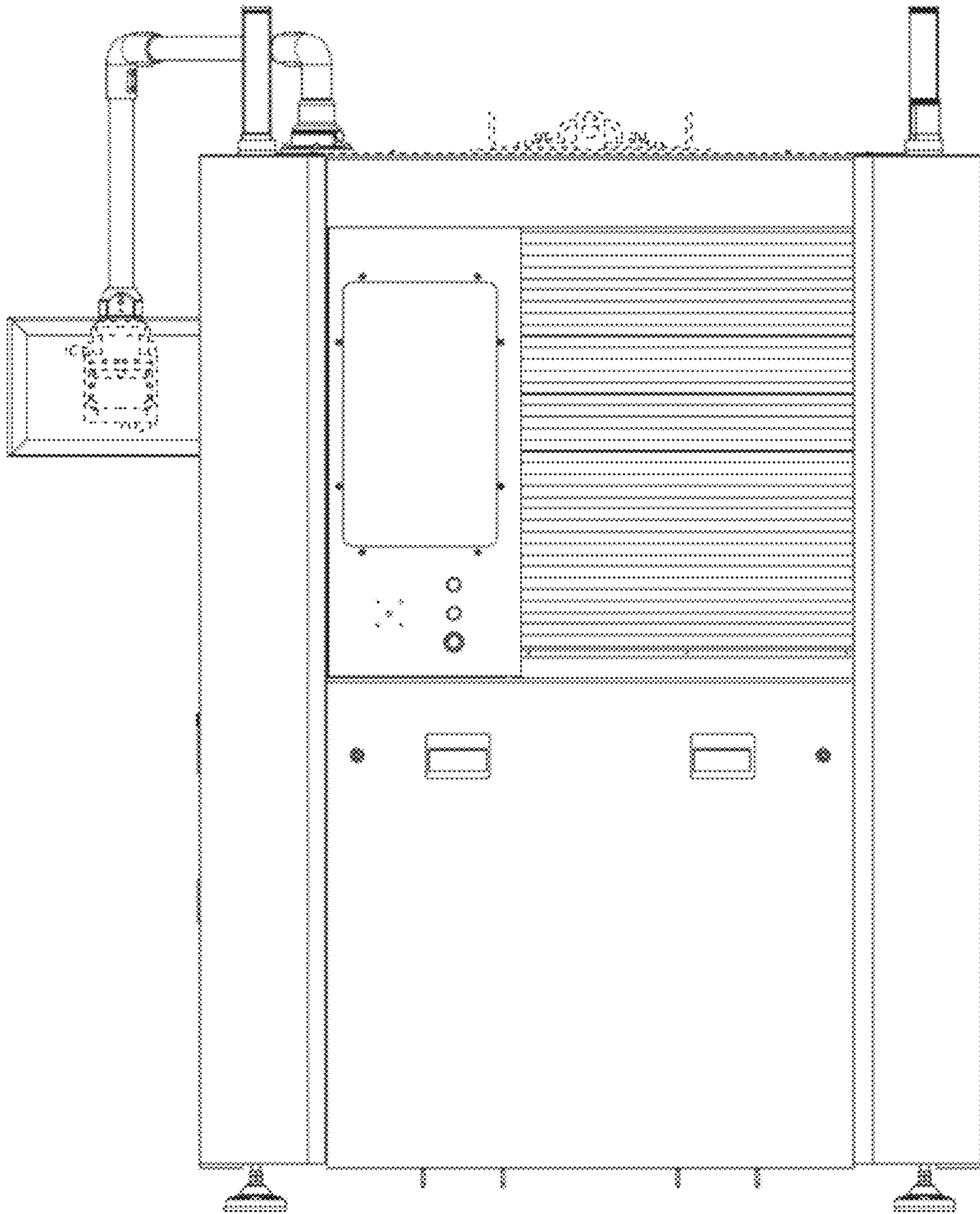


FIG. 7

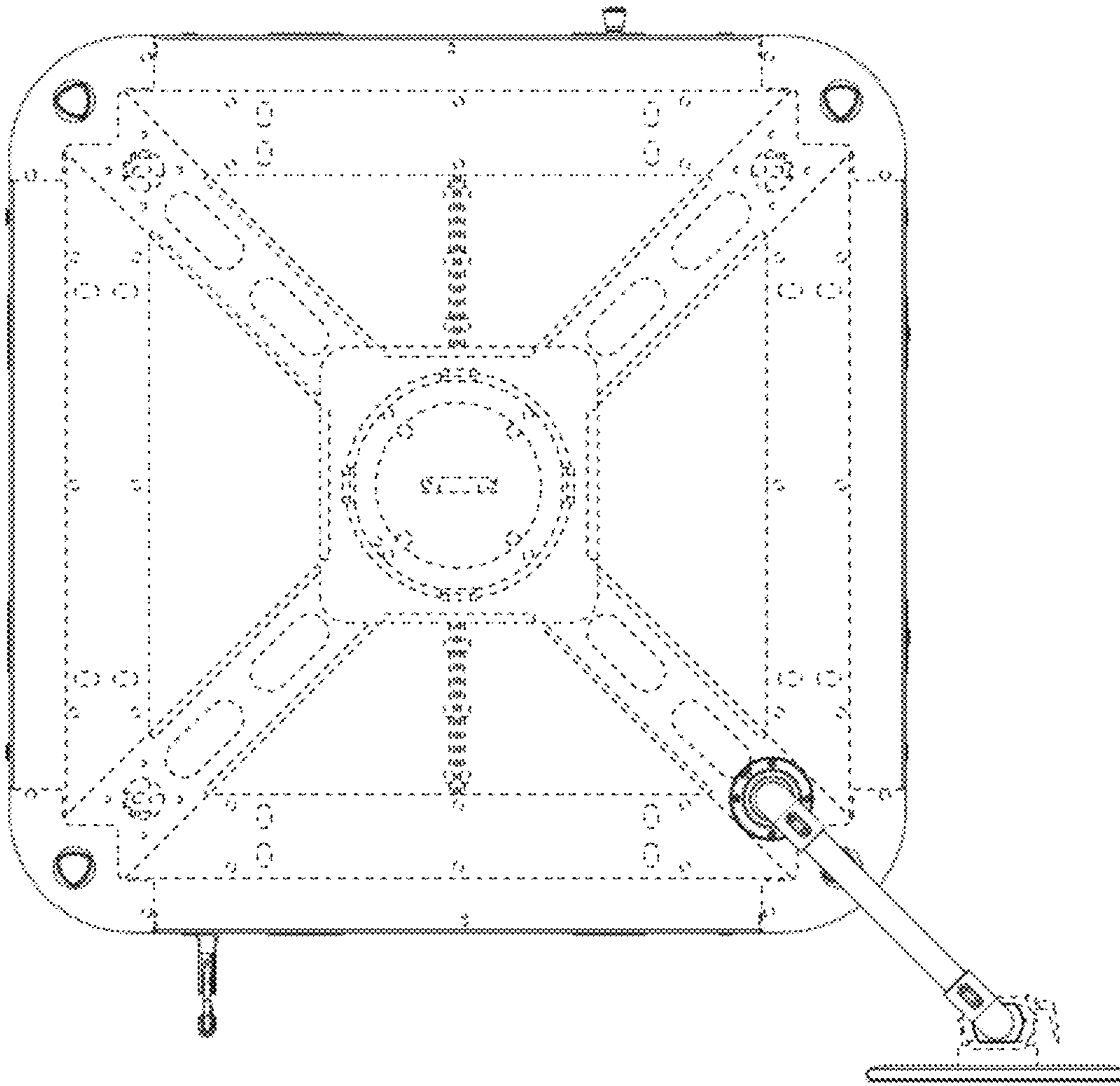


FIG. 8