



US00D892179S

(12) **United States Design Patent** (10) **Patent No.:** **US D892,179 S**  
**Lonati et al.** (45) **Date of Patent:** **\*\* Aug. 4, 2020**

(54) **TEXTILE MACHINE** 4,539,825 A \* 9/1985 Colosio ..... D04B 15/68  
66/145 R  
(71) Applicant: **SANTONI S.P.A.**, Brescia (IT) D311,745 S \* 10/1990 Wieland ..... D15/66  
5,761,931 A \* 6/1998 Lonati ..... D04B 9/56  
66/148  
(72) Inventors: **Ettore Lonati**, Botticino (IT); **Fausto Lonati**, Brescia (IT); **Andrea Lonati**, Brescia (IT) D511,533 S \* 11/2005 Bossy ..... D15/66  
D511,784 S \* 11/2005 Bossy ..... D15/66  
6,983,625 B2 \* 1/2006 Weber ..... D04B 15/00  
66/8  
(73) Assignee: **SANTONI S.P.A.**, Brescia (IT) 7,310,976 B1 \* 12/2007 Renda ..... D04B 15/38  
66/125 R  
(\*\*) Term: **15 Years** 8,245,544 B2 \* 8/2012 Lonati ..... D04B 15/34  
66/216  
(21) Appl. No.: **29/666,472** D771,153 S \* 11/2016 Lonati ..... D15/66  
D771,154 S \* 11/2016 Lonati ..... D15/78  
D772,310 S \* 11/2016 Lonati ..... D15/66  
(22) Filed: **Oct. 12, 2018** 10,351,981 B2 \* 7/2019 Lonati ..... D04B 15/00  
2010/0192637 A1 \* 8/2010 Lonati ..... D04B 9/06  
66/19

(30) **Foreign Application Priority Data**

Apr. 12, 2018 (EM) ..... 005232022-0002

(51) **LOC (12) Cl.** ..... **15-06**  
(52) **U.S. Cl.**  
USPC ..... **D15/66**  
(58) **Field of Classification Search**  
USPC ..... D15/66-78  
CPC .. D04B 13/00; D04B 13/02; D04B 9/00-9/58  
See application file for complete search history.

(56) **References Cited**

**U.S. PATENT DOCUMENTS**

D198,581 S \* 7/1964 Kamp ..... D15/66  
3,859,822 A \* 1/1975 Renda ..... D04B 15/94  
66/8  
3,959,991 A \* 6/1976 Brown ..... D04B 15/00  
66/8  
3,959,992 A \* 6/1976 Eschenbach ..... D04B 15/00  
66/8  
4,033,147 A \* 7/1977 King ..... D04B 15/00  
66/8  
D246,244 S \* 11/1977 Current ..... D15/66  
D247,900 S \* 5/1978 Current ..... D15/66

\* cited by examiner

*Primary Examiner* — Mitchell I. Siegel  
(74) *Attorney, Agent, or Firm* — Oliff PLC

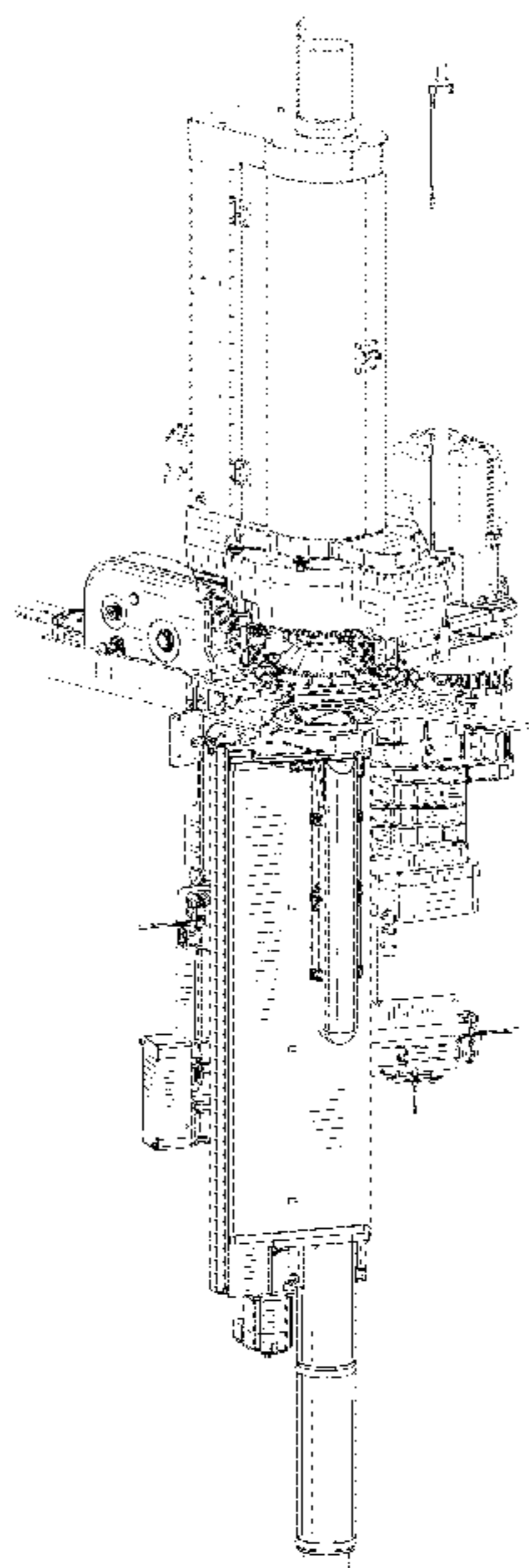
(57) **CLAIM**

The ornamental design for a textile machine, as shown and described.

**DESCRIPTION**

FIG. 1 is a front, left-side, top perspective view of the textile machine;  
FIG. 2 is a top plan view thereof;  
FIG. 3 is a bottom plan view thereof;  
FIG. 4 is a front elevational view thereof;  
FIG. 5 is a rear elevational view thereof;  
FIG. 6 is a left-side elevational view thereof; and,  
FIG. 7 is a right-side elevational view thereof.  
The broken lines depict parts of the textile machine that form no part of the claimed design.

**1 Claim, 7 Drawing Sheets**



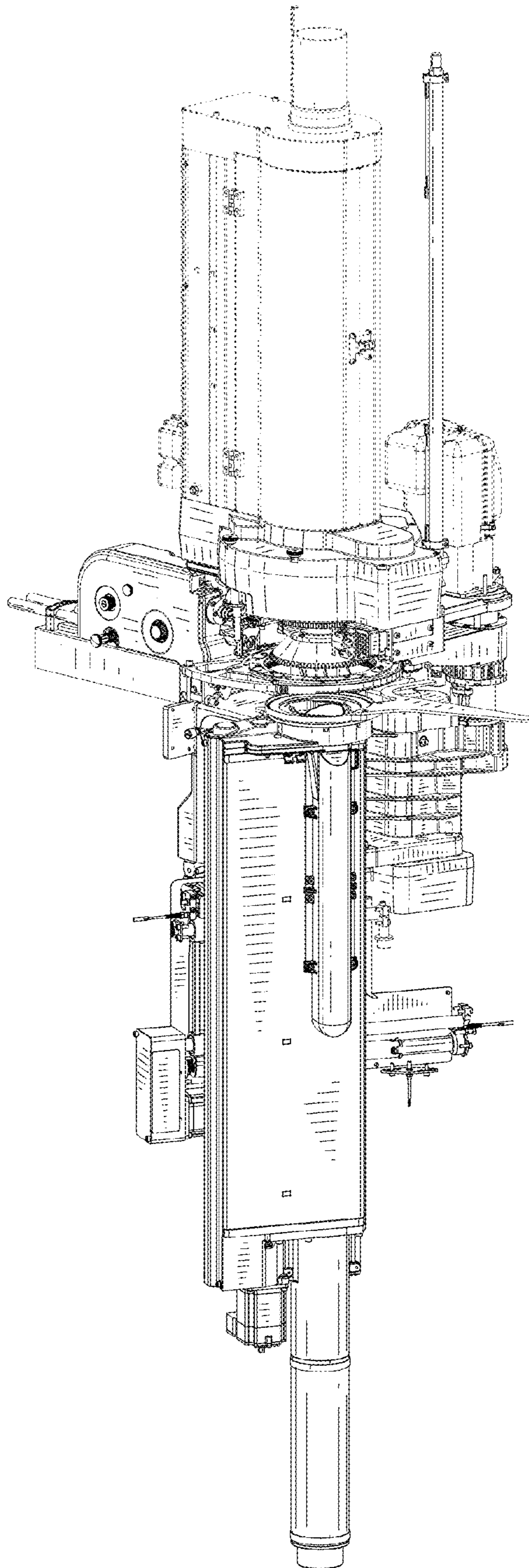


FIG.1

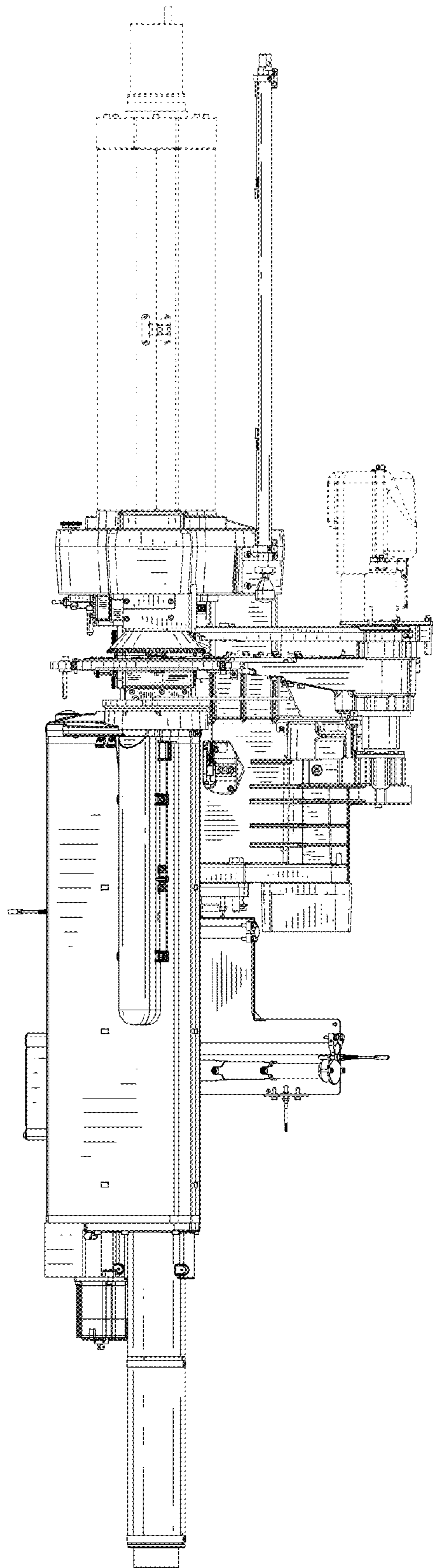


FIG.2

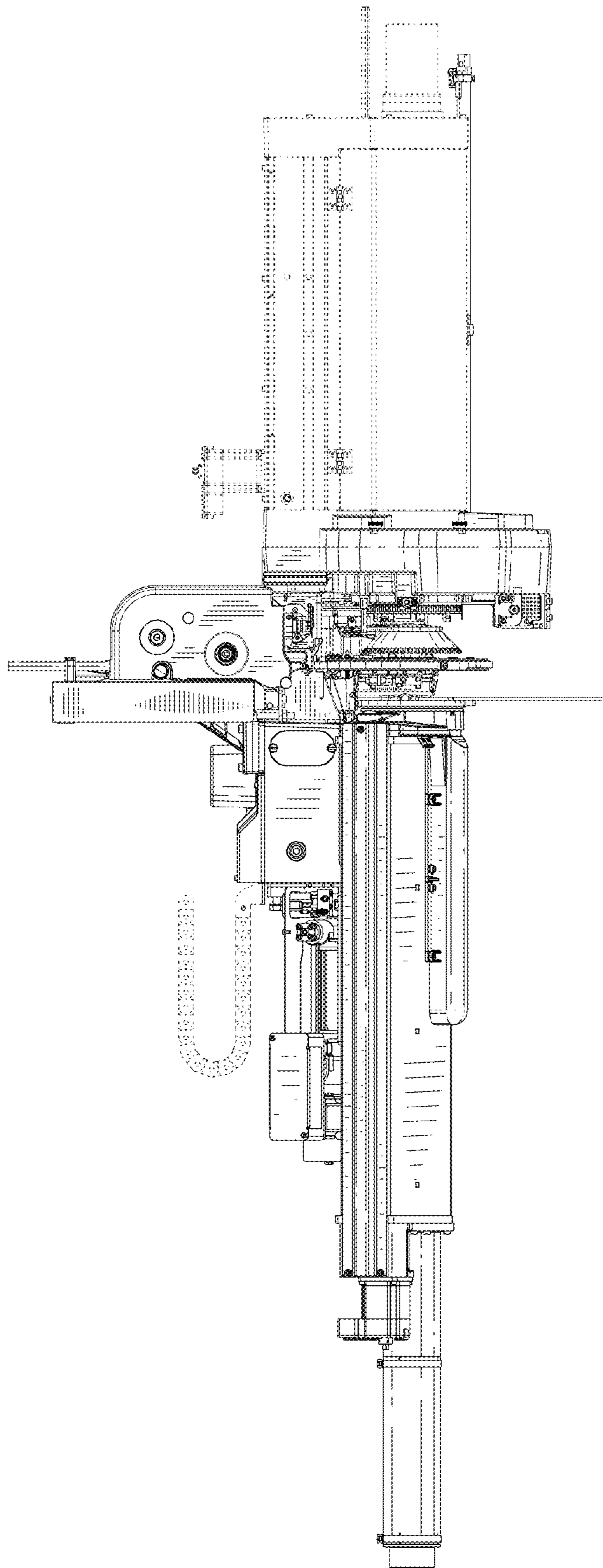


FIG.3

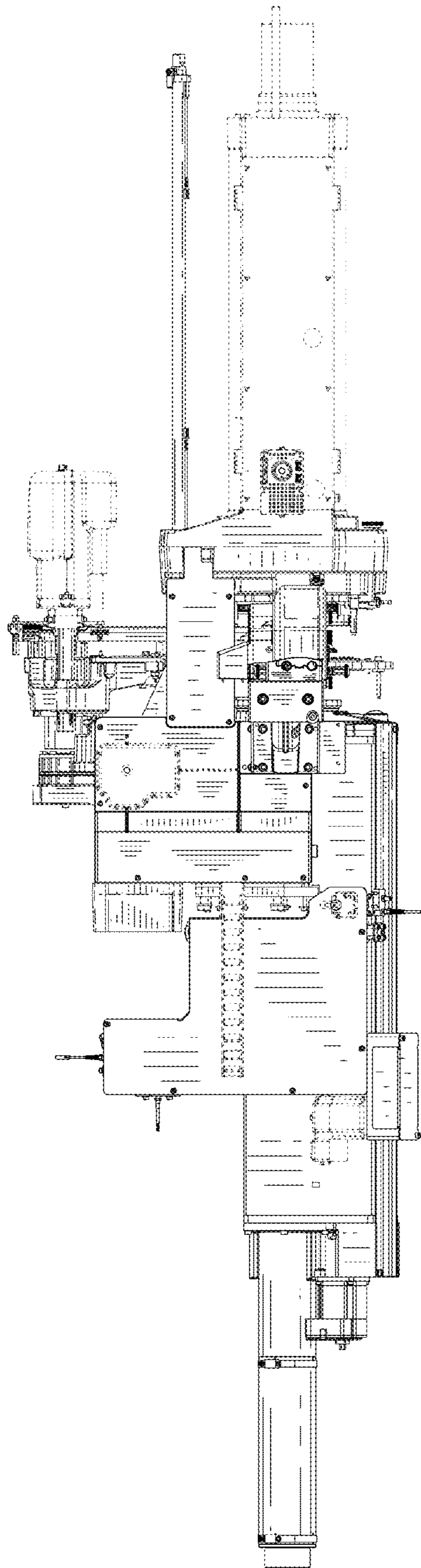


FIG.4

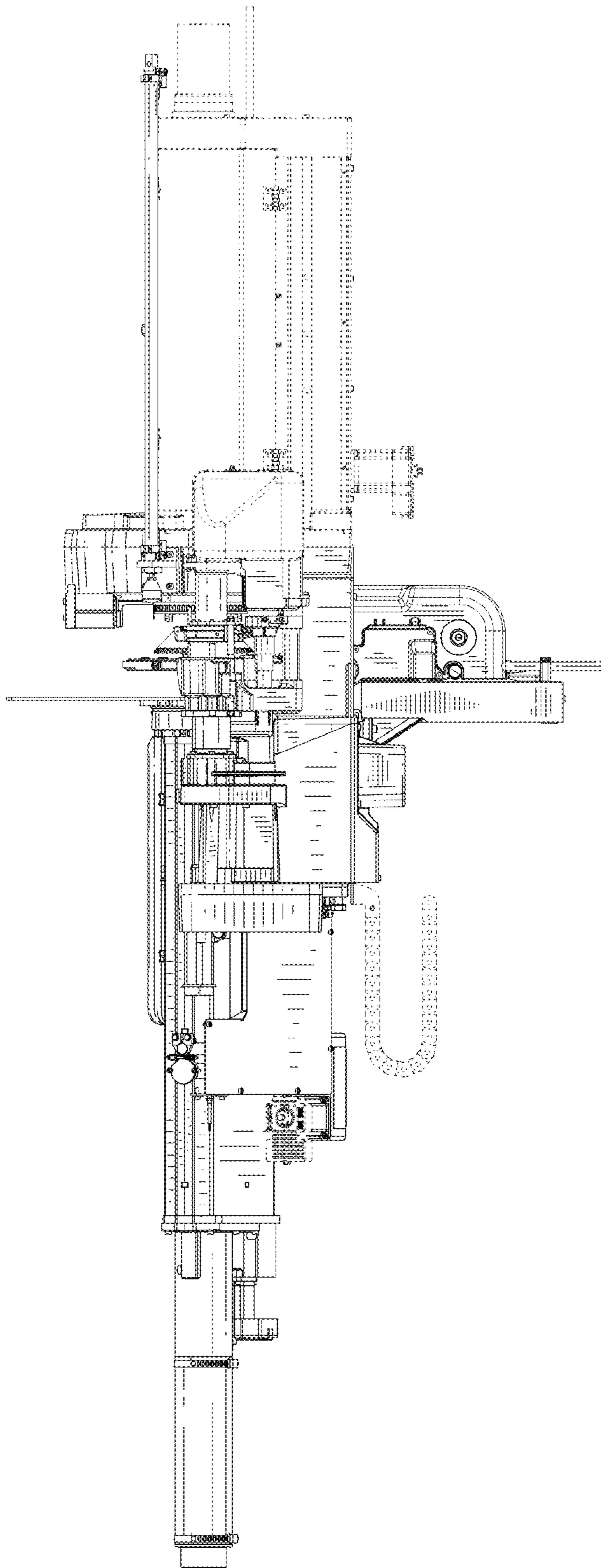


FIG.5

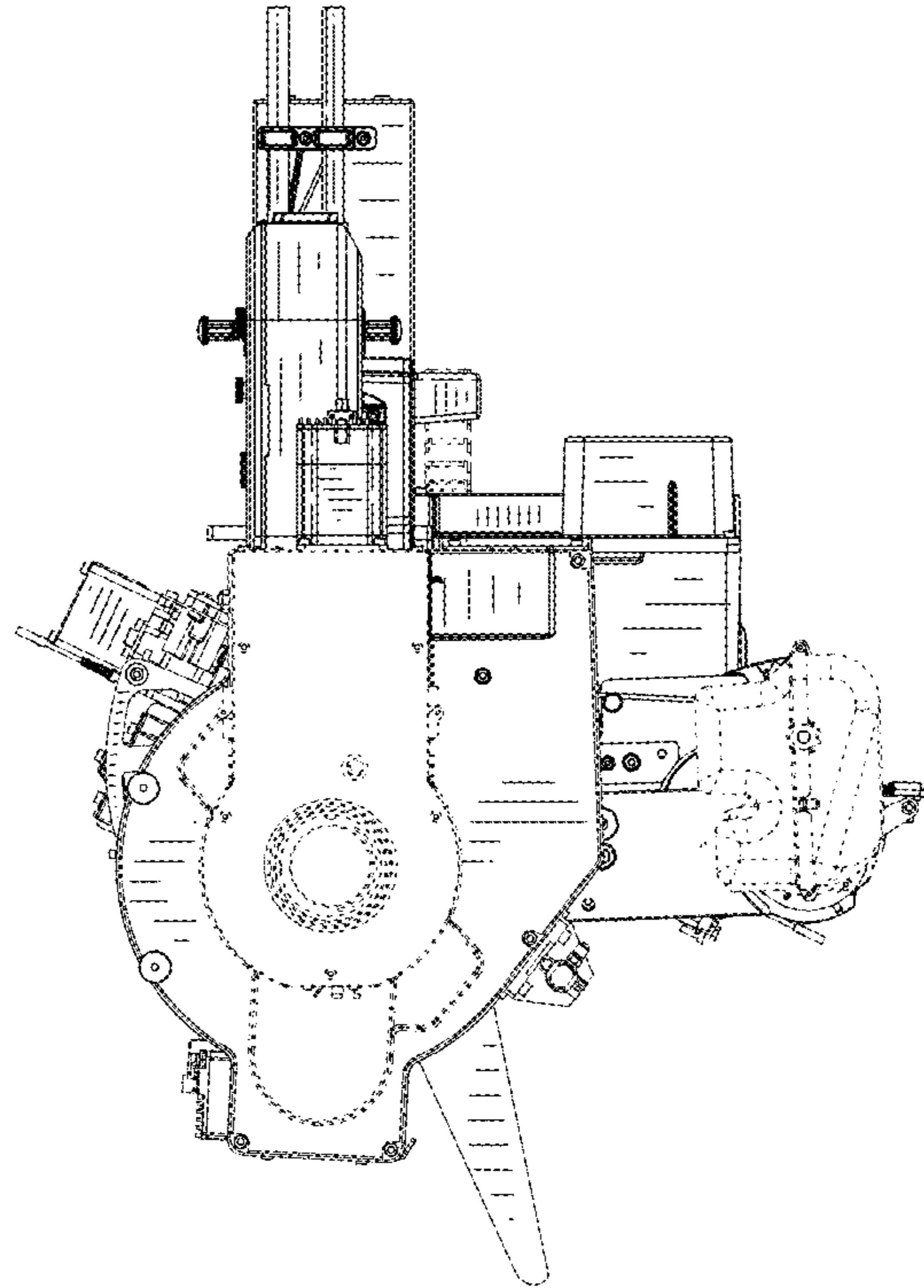


FIG.6

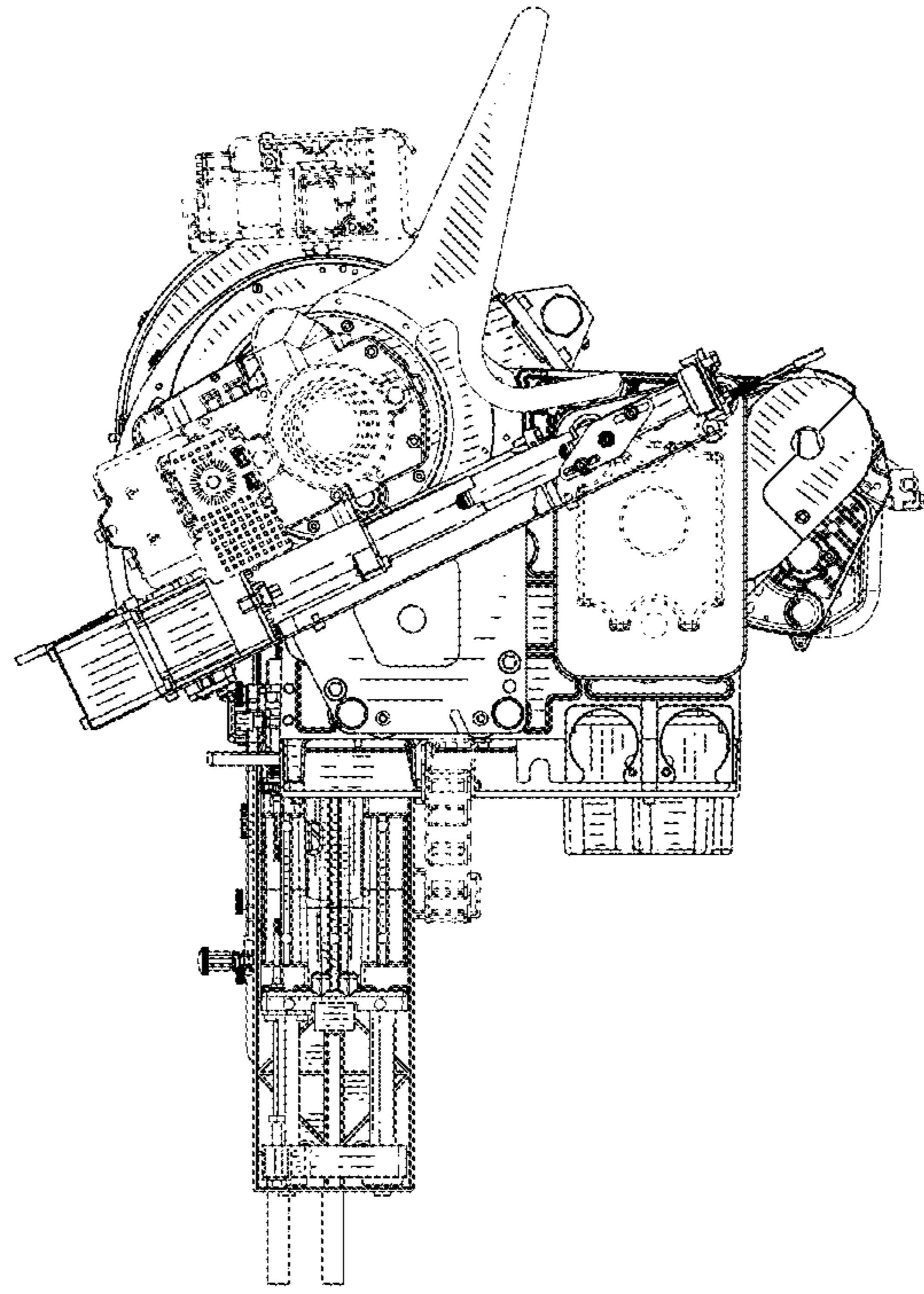


FIG.7