

US00D892178S

(12) **United States Design Patent**
Tam et al.

(10) **Patent No.:** **US D892,178 S**

(45) **Date of Patent:** **** Aug. 4, 2020**

(54) **BRAIDING DEVICE**

(71) Applicant: **SPIN MASTER LTD.**, Toronto (CA)

(72) Inventors: **Freda Wise Tam**, Toronto (CA); **Mollie B. Jameson**, Toronto (CA); **Dominique Roy**, Montreal (CA)

(73) Assignee: **SPIN MASTER LTD.**, Toronto, Ontario (CA)

(**) Term: **15 Years**

(21) Appl. No.: **29/636,994**

(22) Filed: **Feb. 13, 2018**

(51) **LOC (12) Cl.** **15-06**

(52) **U.S. Cl.**

USPC **D15/66**; D19/108

(58) **Field of Classification Search**

USPC D28/4, 9, 10, 11, 13, 44.2; D15/66, 78;
D21/527; D19/108

CPC B65H 51/22; D03J 33/00; D04C 3/00;
D04C 3/16; D04C 3/38; D04C 3/42

See application file for complete search history.

(56) **References Cited**

U.S. PATENT DOCUMENTS

- 4,583,561 A * 4/1986 Larsson A45D 2/00
132/212
- 5,988,181 A * 11/1999 Gable A45D 2/00
132/200
- 6,662,808 B2 * 12/2003 Leason A45D 2/00
132/212
- D486,604 S * 2/2004 Glucksman D28/10
- D560,850 S * 1/2008 James D28/10
- 7,699,258 B2 * 4/2010 Barea D04B 15/48
242/365.7
- 8,172,281 B2 * 5/2012 Crorey D04D 11/00
289/17
- 9,181,064 B2 * 11/2015 Barea B65H 51/30
- D794,683 S * 8/2017 Barea D15/78

- D794,715 S * 8/2017 Barea D15/78
- 10,246,804 B2 * 4/2019 Whitehead D04C 3/00
- 2003/0230316 A1 * 12/2003 Glucksman A45D 2/00
132/212
- 2016/0009521 A1 * 1/2016 Morris B65H 54/02
242/530
- 2016/0096703 A1 * 4/2016 Barea B65H 51/20
226/158

FOREIGN PATENT DOCUMENTS

JP 2018188790 A * 11/2018 D04C 3/00

OTHER PUBLICATIONS

Cool Maker KumiKreator Friendship Bracelet Maker, Cool Maker, first available on Jul. 10, 2018 on amazon.com, retrieved on Apr. 19, 2019, retrieved from the Internet URL: <https://www.amazon.com/Cool-Maker-KumiKreator-Friendship-Bracelet/dp/B07B4CJFK9>.*

* cited by examiner

Primary Examiner — Jennifer Rivard
Assistant Examiner — Alison M Ofstun
(74) *Attorney, Agent, or Firm* — Millman IP Inc.

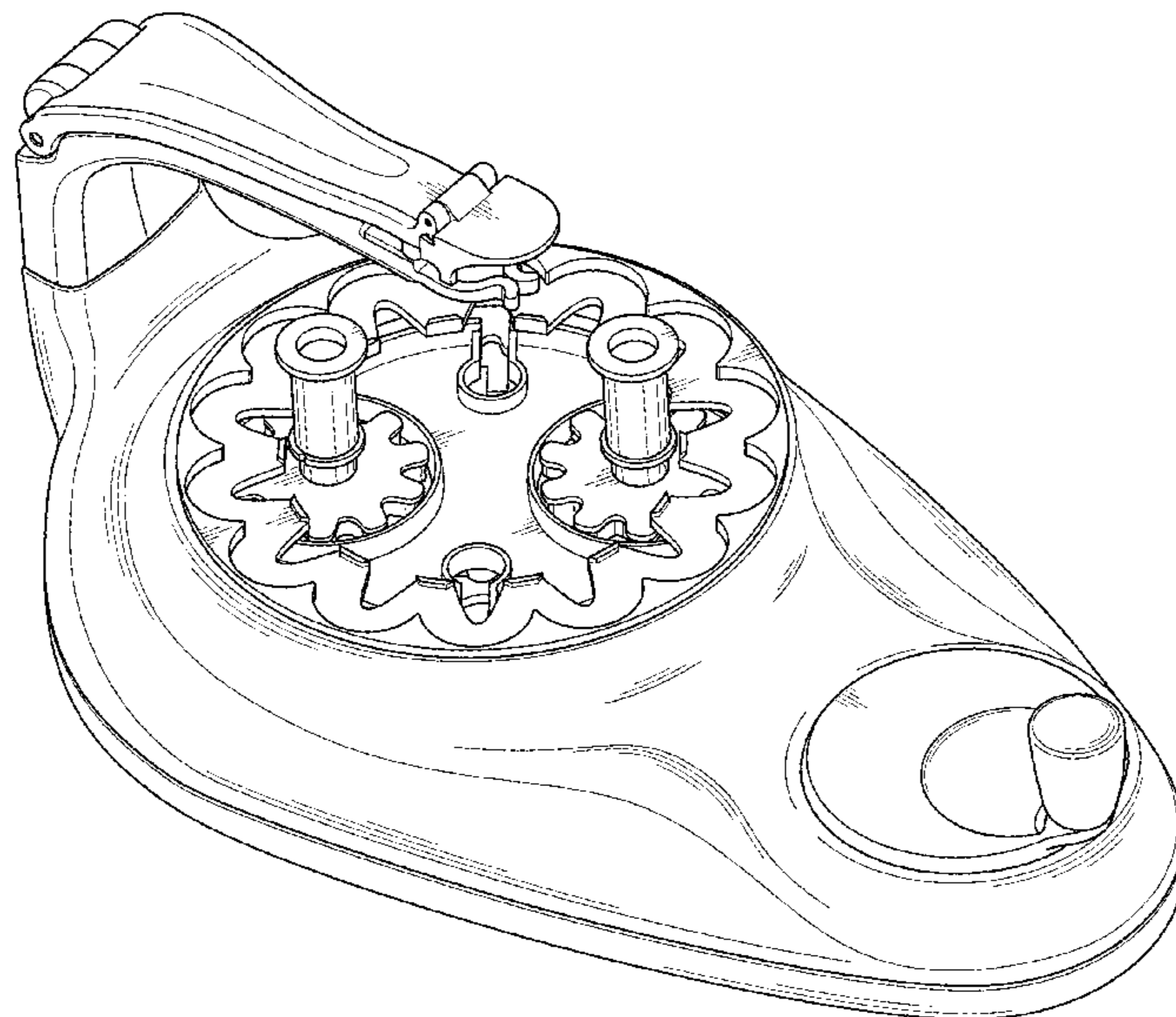
(57) **CLAIM**

The ornamental design for a braiding device, as shown and described.

DESCRIPTION

FIG. 1 is a top, front, right side perspective view of a braiding device, showing our new design;
FIG. 2 is a top, back, right side perspective view thereof;
FIG. 3 is a top view thereof;
FIG. 4 is a right side elevation view thereof;
FIG. 5 is a front elevation view thereof;
FIG. 6 is a left side elevation view thereof;
FIG. 7 is a back elevation view thereof; and,
FIG. 8 is a bottom view thereof.

1 Claim, 8 Drawing Sheets



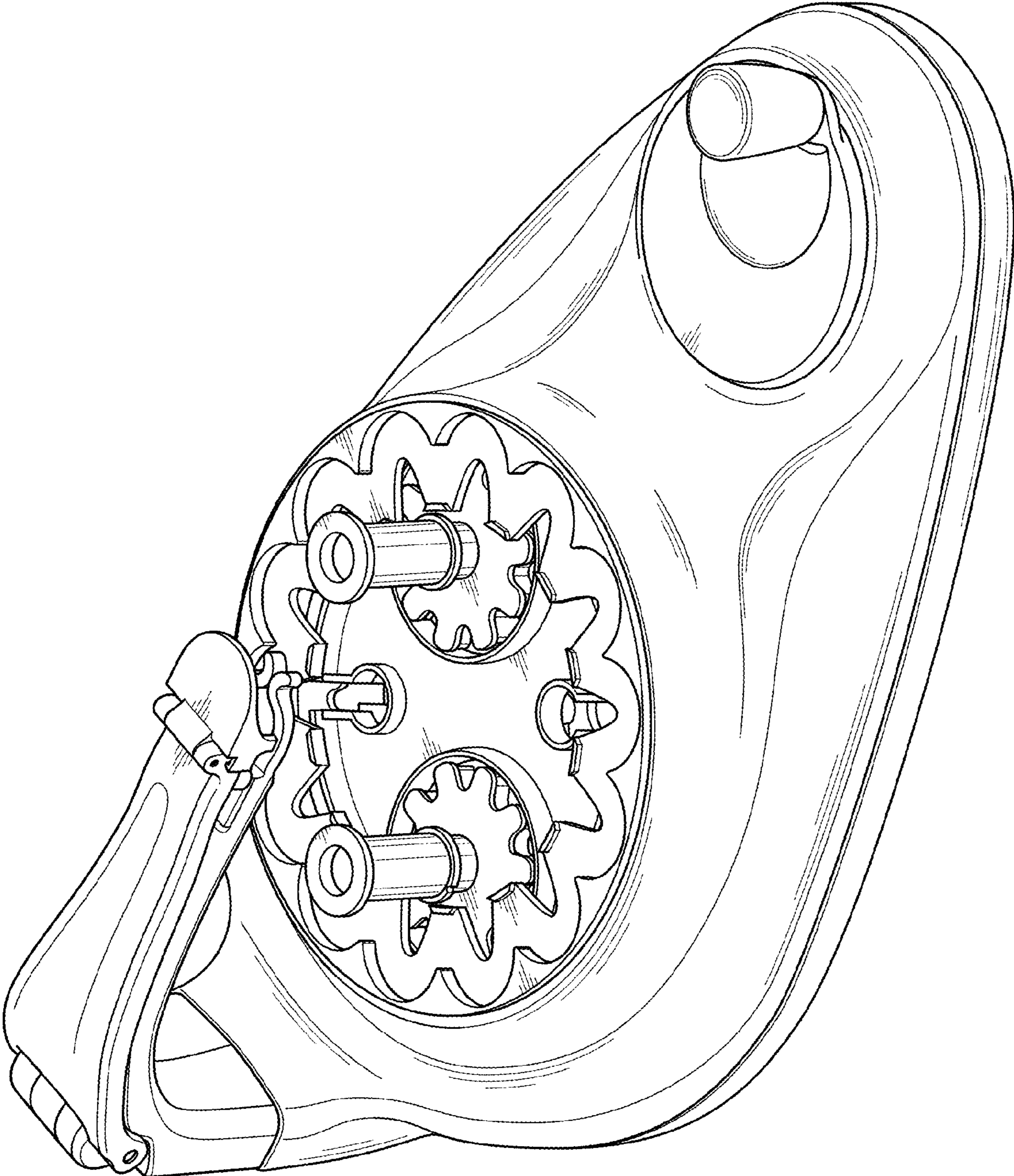
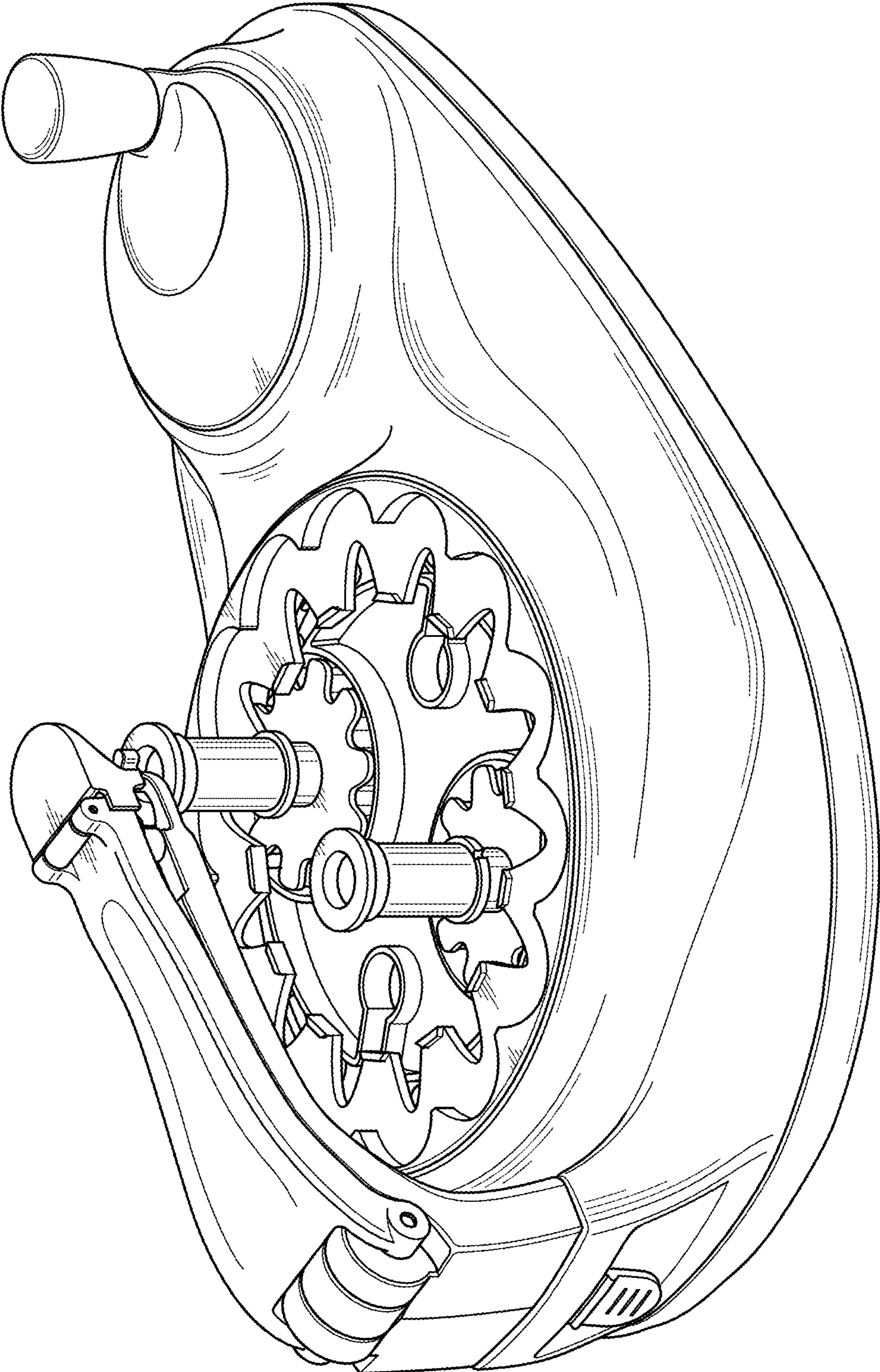


FIG. 1

FIG. 2



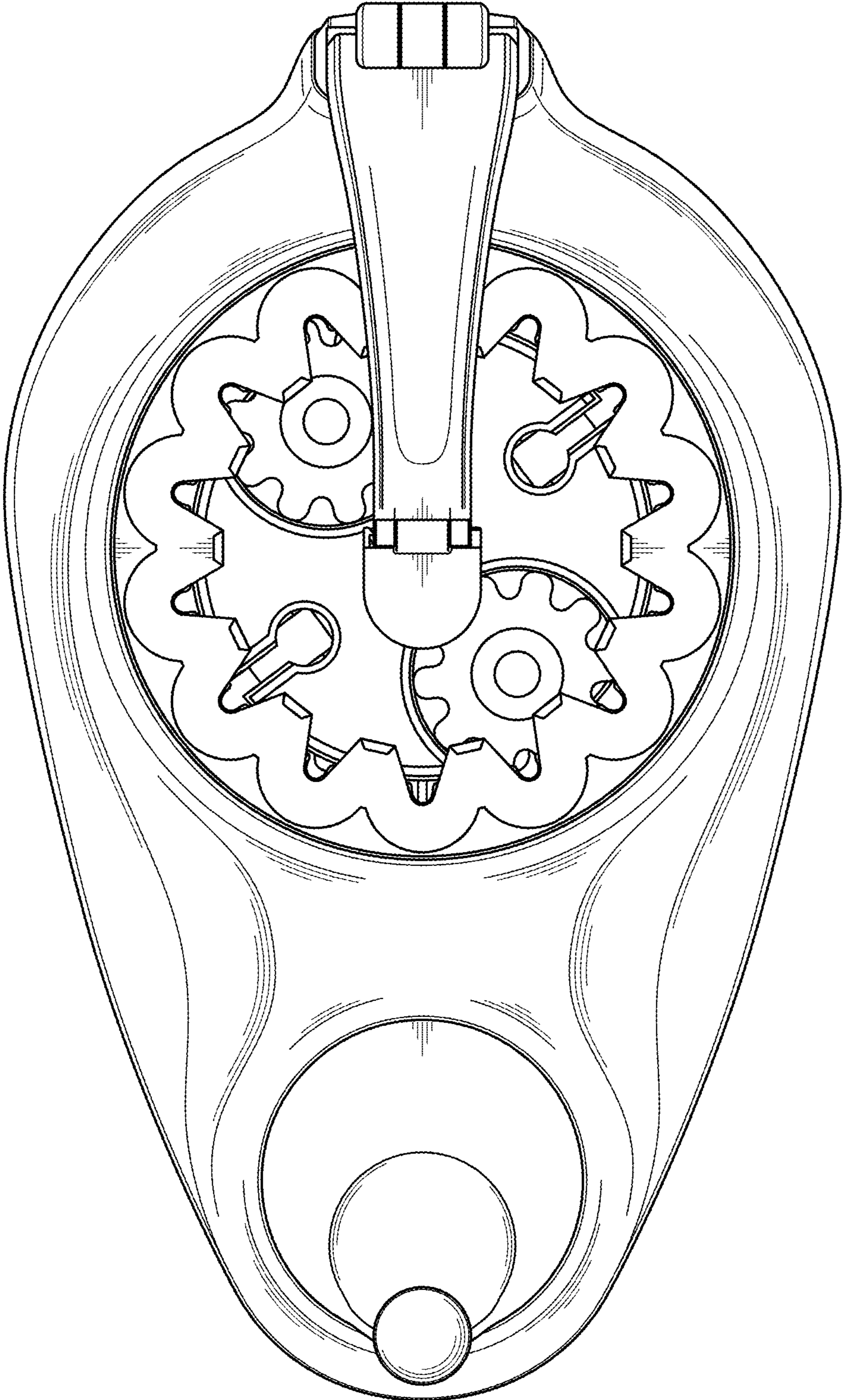


FIG. 3

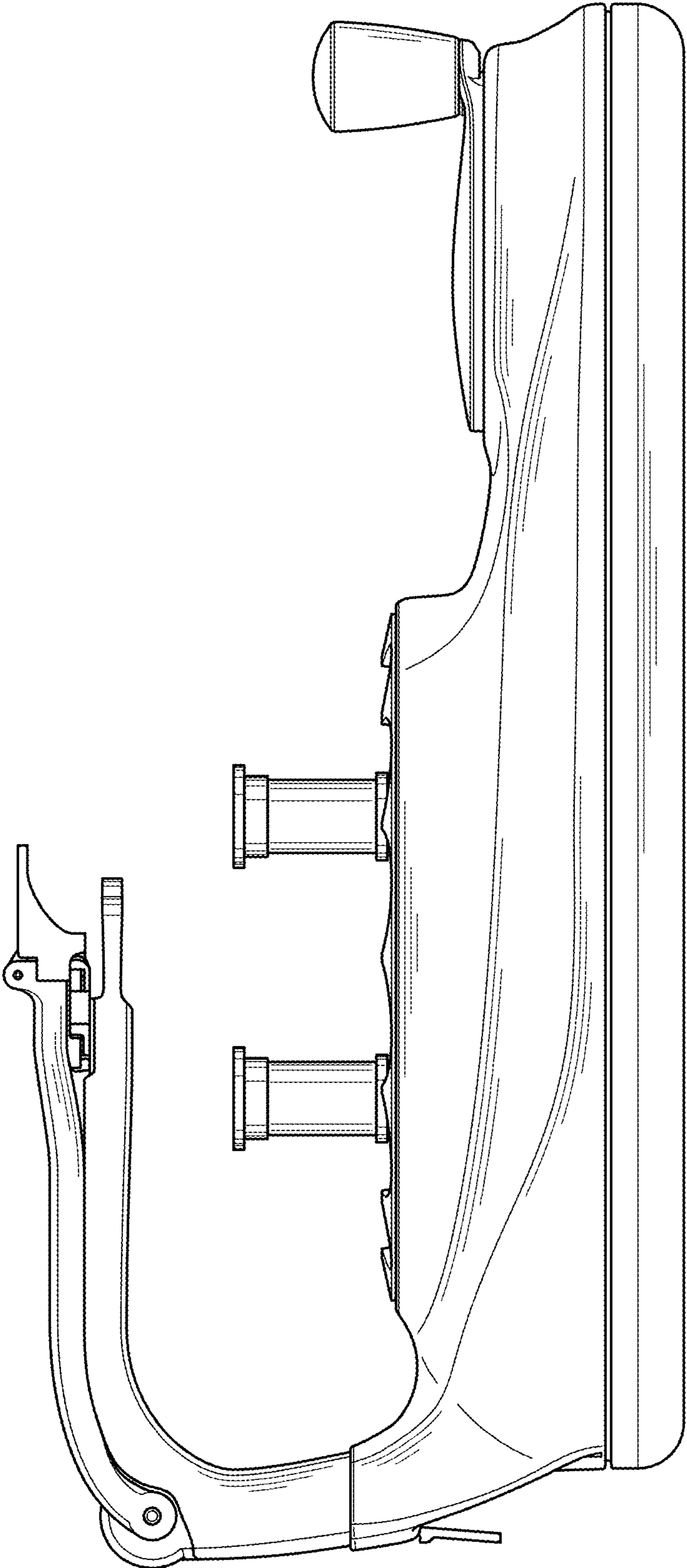


FIG. 4

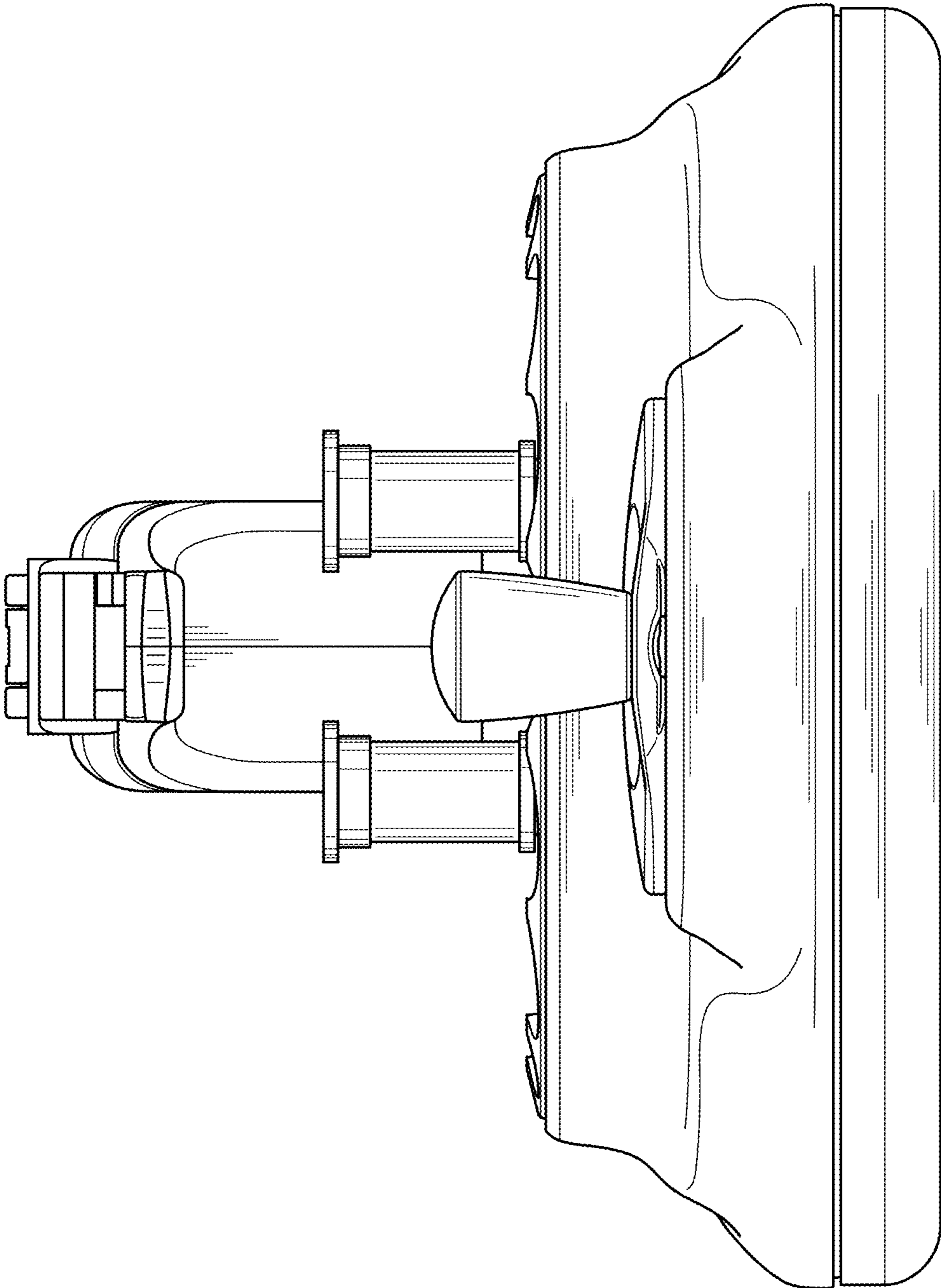


FIG. 5

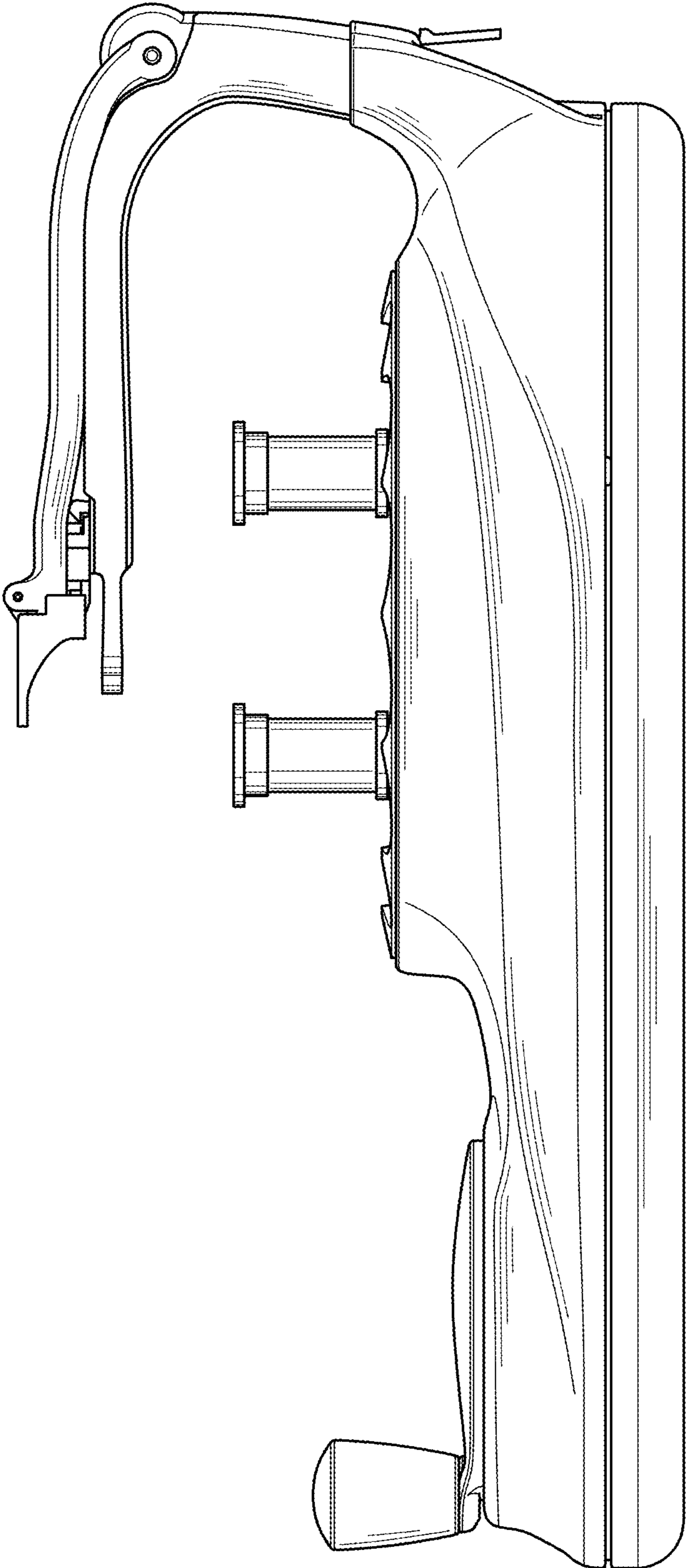


FIG. 6

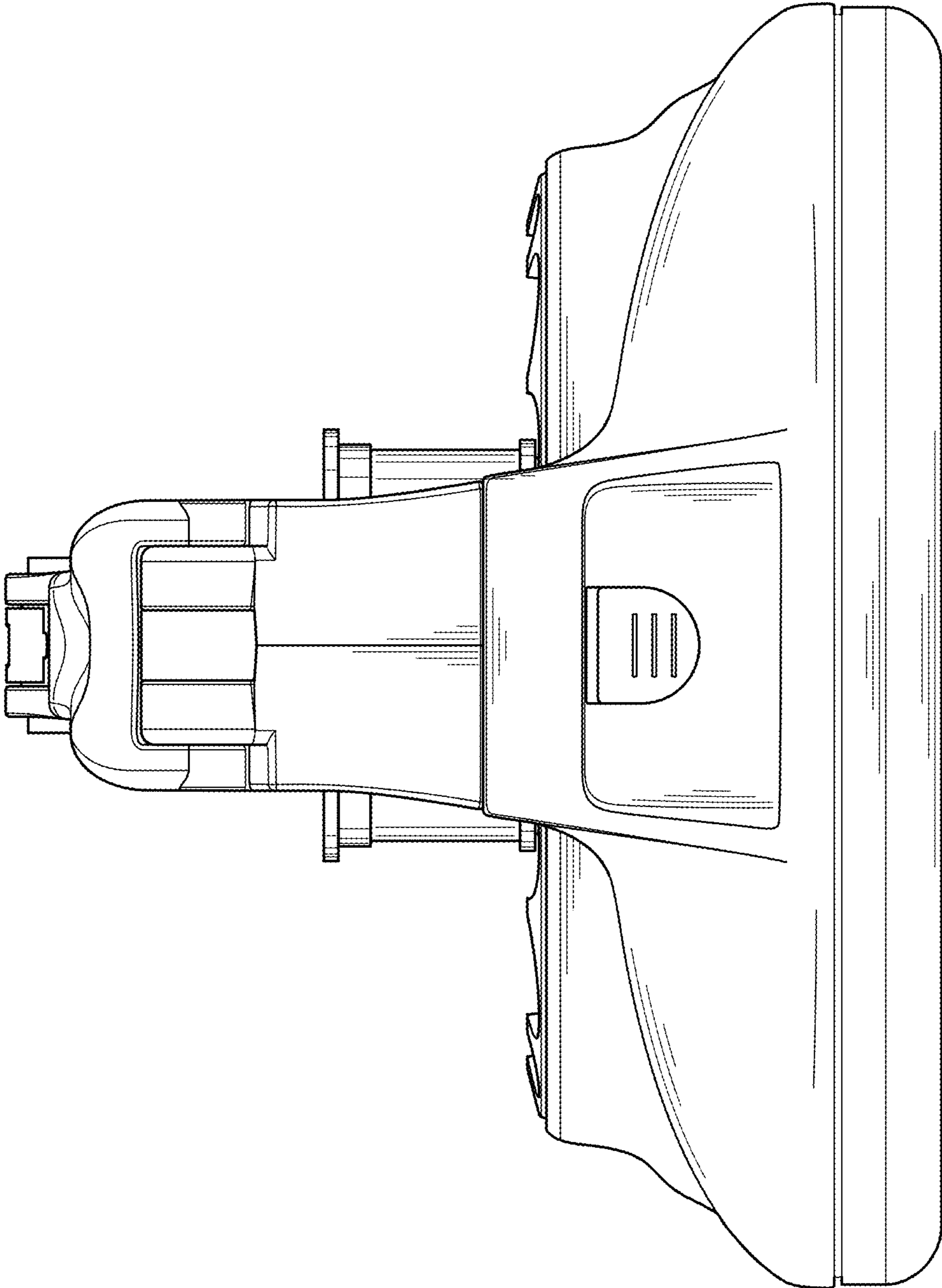


FIG. 7

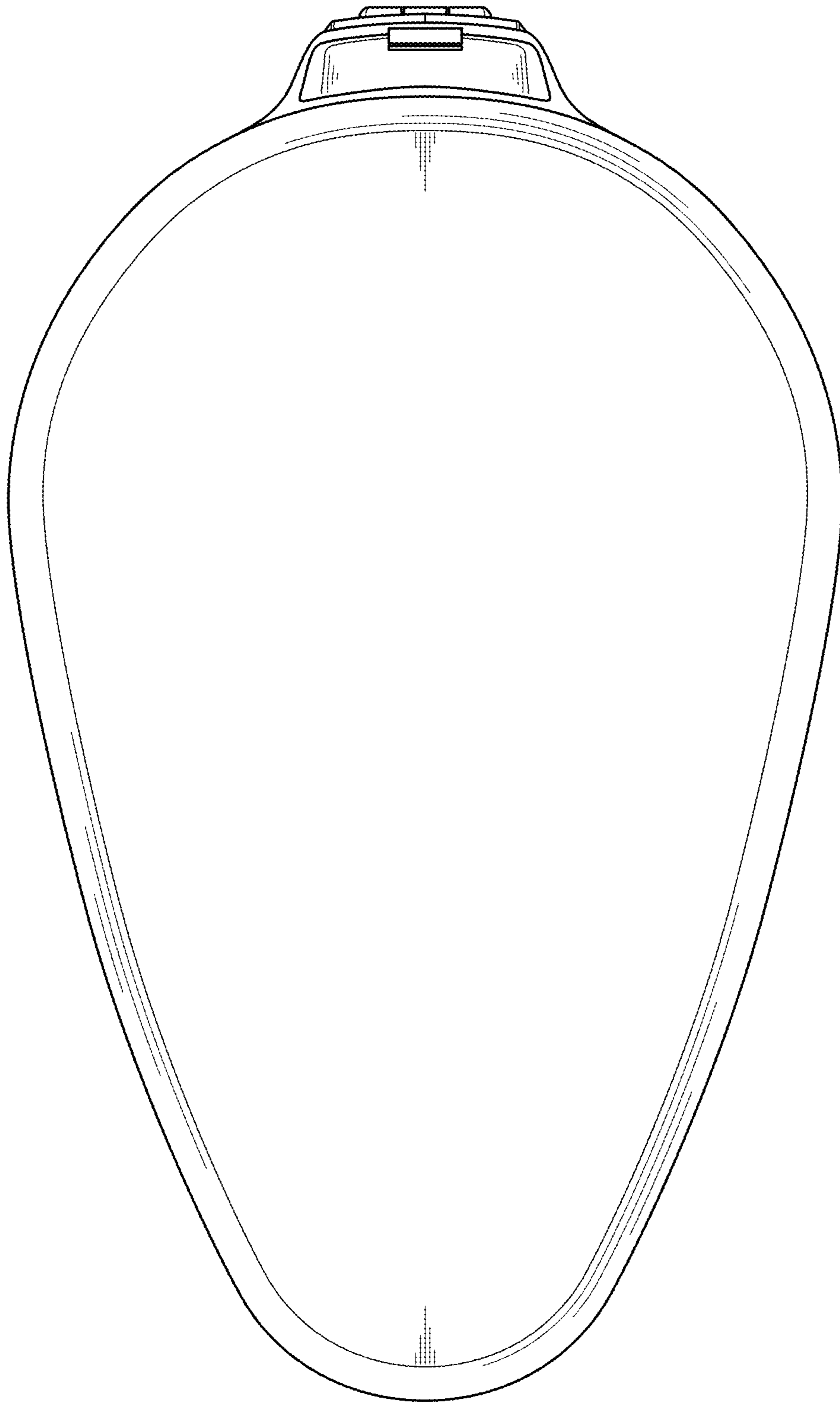


FIG. 8