



US00D892176S

(12) **United States Design Patent** (10) **Patent No.:** **US D892,176 S**
Adachi et al. (45) **Date of Patent:** **** Aug. 4, 2020**

(54) **REAR COVER FOR CONSTRUCTION MACHINE**

(71) Applicant: **KOBELCO CONSTRUCTION MACHINERY CO., LTD.**, Hiroshima-shi, Hiroshima (JP)

(72) Inventors: **Kaoru Adachi**, Hiroshima (JP); **Keiji Yamamoto**, Hiroshima (JP); **Shintaro Sakitani**, Hiroshima (JP)

(73) Assignee: **KOBELCO CONSTRUCTION MACHINERY CO., LTD.**, Hiroshima-Shi (JP)

(**) Term: **15 Years**

(21) Appl. No.: **29/674,925**

(22) Filed: **Dec. 27, 2018**

(30) **Foreign Application Priority Data**

Jul. 10, 2018 (JP) 2018-015167

(51) **LOC (12) Cl.** **15-03**

(52) **U.S. Cl.**
USPC **D15/28; D15/17**

(58) **Field of Classification Search**
USPC D15/17, 28, 14, 15, 22-26, 31, 33;
D12/192; 180/69.24, 69.2, 69.21, 90,
180/89.12, 900; 296/70, 30, 72, 191,
296/192, 193.03
CPC B62D 49/00; B60K 37/00; B60K 37/02;
B60K 37/04; B60K 2350/928; B60Y
2200/22
See application file for complete search history.

(56) **References Cited**

U.S. PATENT DOCUMENTS

D427,613 S * 7/2000 Altmann D15/28
D456,821 S * 5/2002 Ege D15/28

D457,173 S * 5/2002 Harden D15/28
D484,894 S * 1/2004 McCord D15/28
D549,739 S * 8/2007 Stephens D15/28
D593,134 S * 5/2009 Kuwae D15/17
D636,794 S 4/2011 Ono et al.
D678,917 S * 3/2013 Hagura D15/28
D678,918 S * 3/2013 Hagura D15/28
D682,892 S * 5/2013 Takagi D15/17
D683,369 S * 5/2013 Takagi D15/17
D683,370 S * 5/2013 Takagi D15/17
D687,469 S * 8/2013 Takagi D15/17
D727,978 S * 4/2015 Higuchi D15/28
D783,686 S * 4/2017 Jilbert D15/28
D795,309 S * 8/2017 Sauvaget D15/31
D816,729 S * 5/2018 Diebold D15/28
D816,730 S * 5/2018 Diebold D15/28
D816,731 S * 5/2018 Diebold D15/28
D846,599 S * 4/2019 Ryan D15/31
D856,379 S * 8/2019 Ninomiya D15/28
D856,380 S * 8/2019 Ninomiya D15/28

* cited by examiner

Primary Examiner — Mark A Goodwin

(74) *Attorney, Agent, or Firm* — Birch, Stewart, Kolasch & Birch, LLP

(57) **CLAIM**

The ornamental design for a rear cover for construction machine, as shown and described.

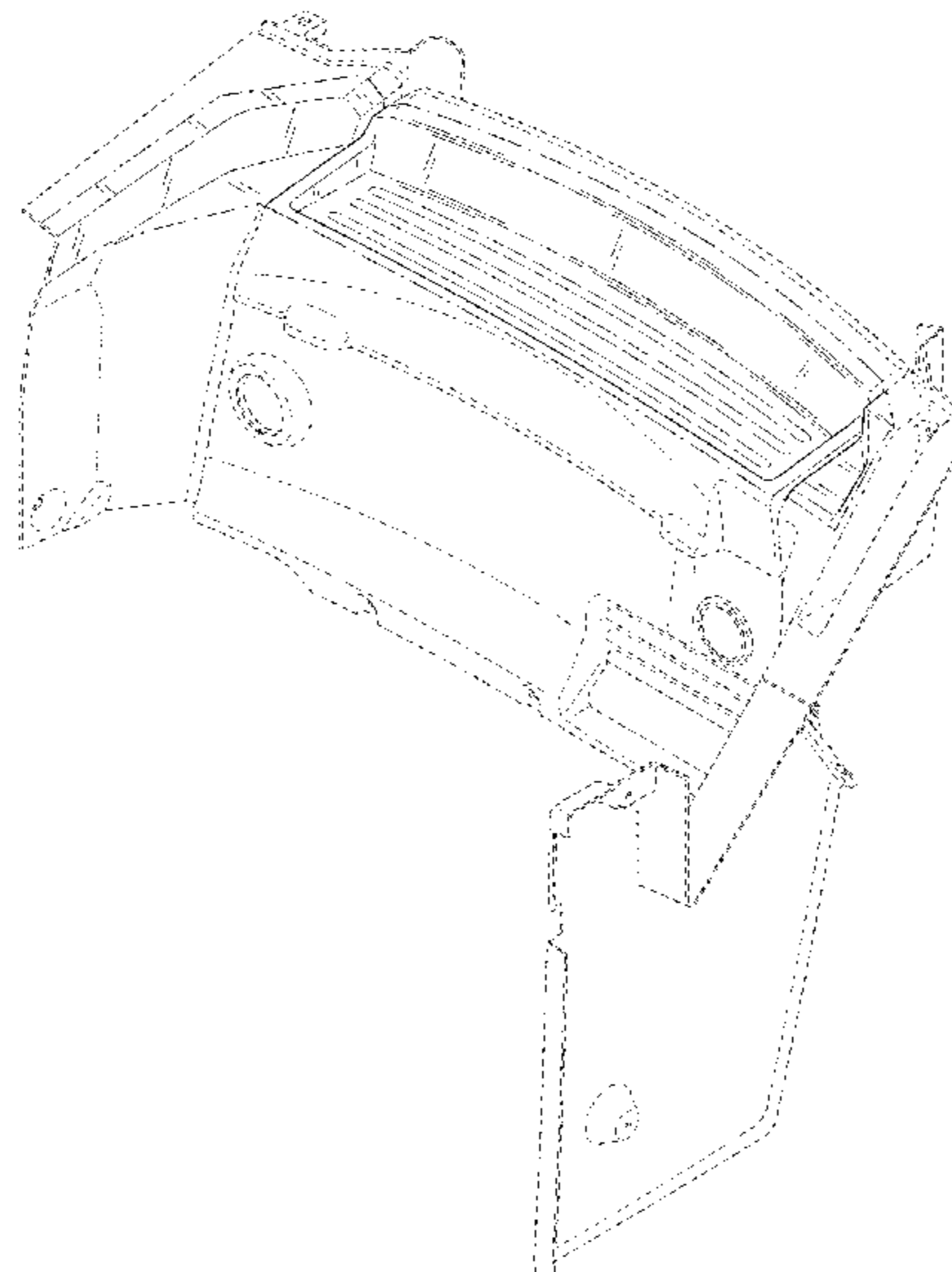
DESCRIPTION

FIG. 1 is a perspective view of a rear cover for construction machine;
FIG. 2 is a front view thereof;
FIG. 3 is a right side view thereof; and,
FIG. 4 is a top view thereof.

The broken lines depict portions of the rear cover for construction machine in which the design is embodied that are not considered part of the claimed design.

The dashed lines show a boundary between the claimed design and unclaimed portions.

1 Claim, 4 Drawing Sheets



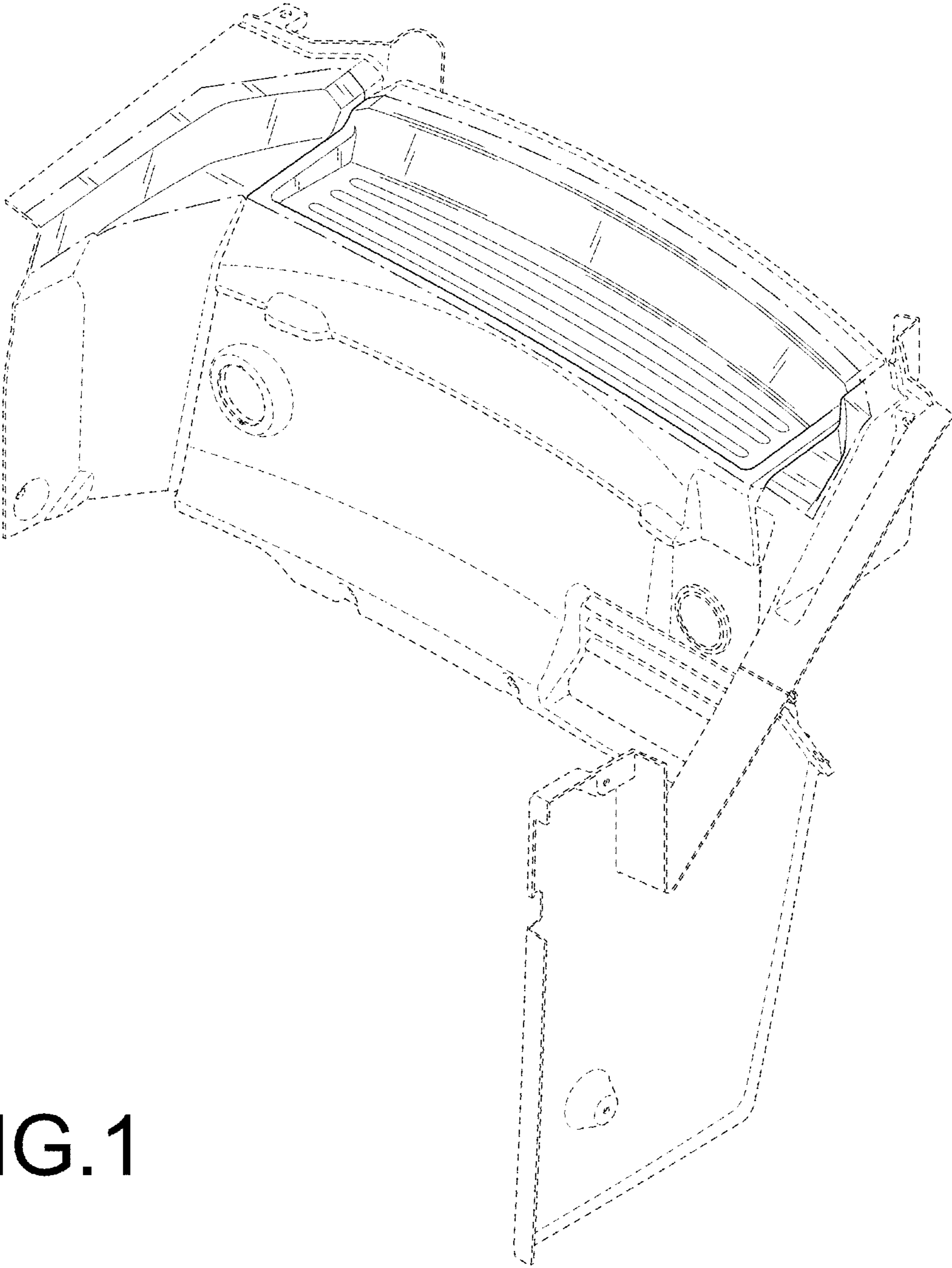


FIG. 1

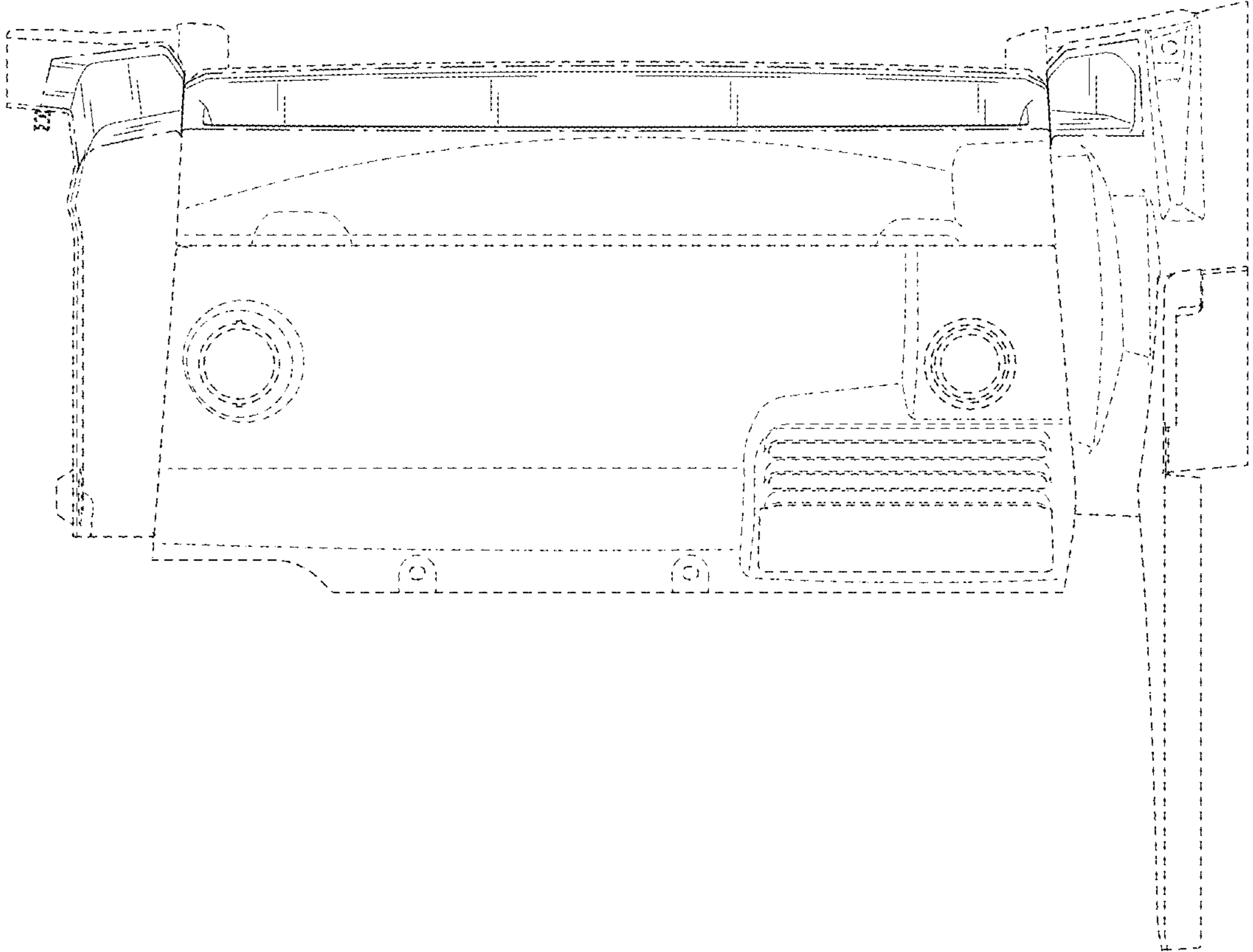


FIG.2

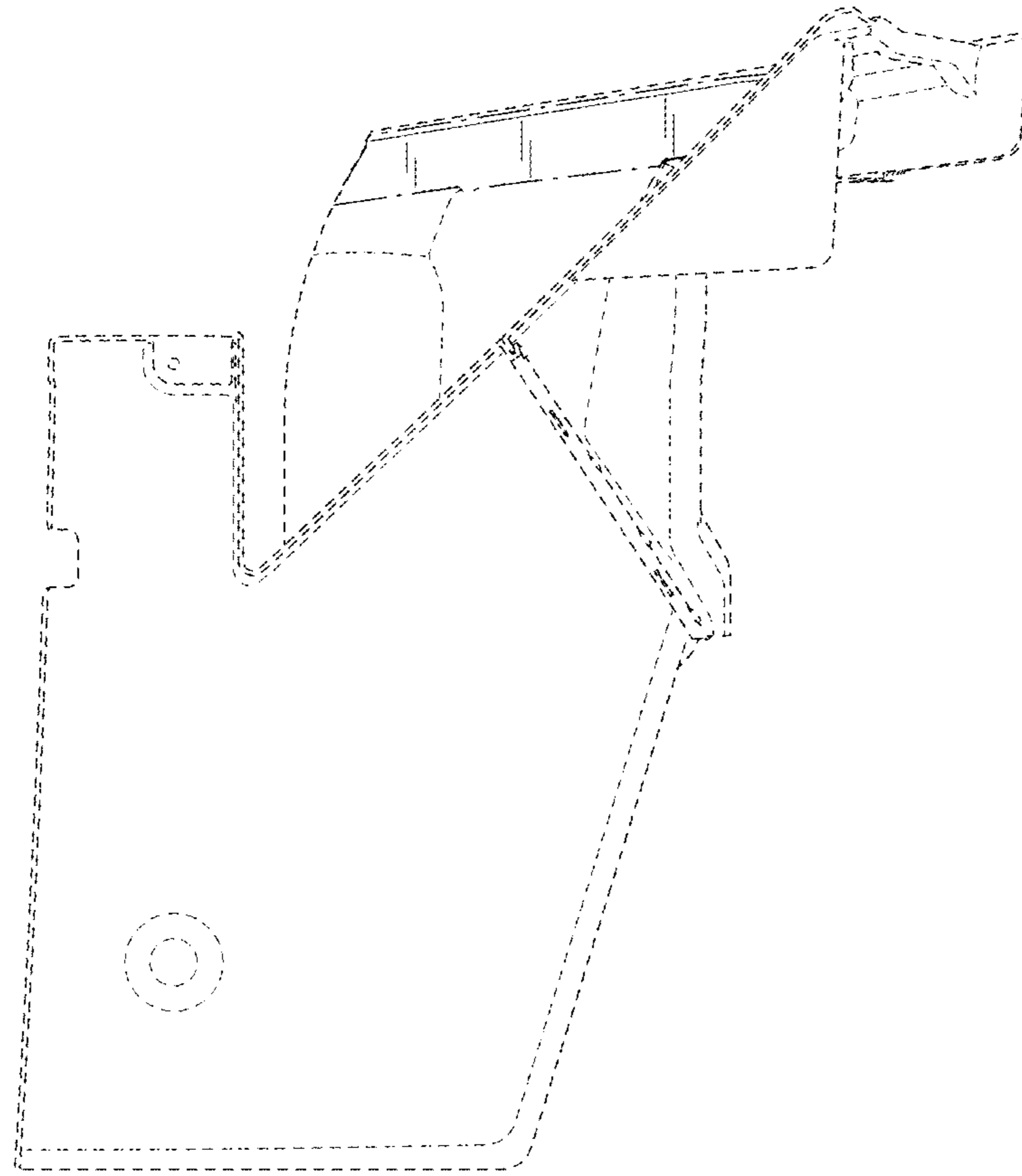


FIG.3

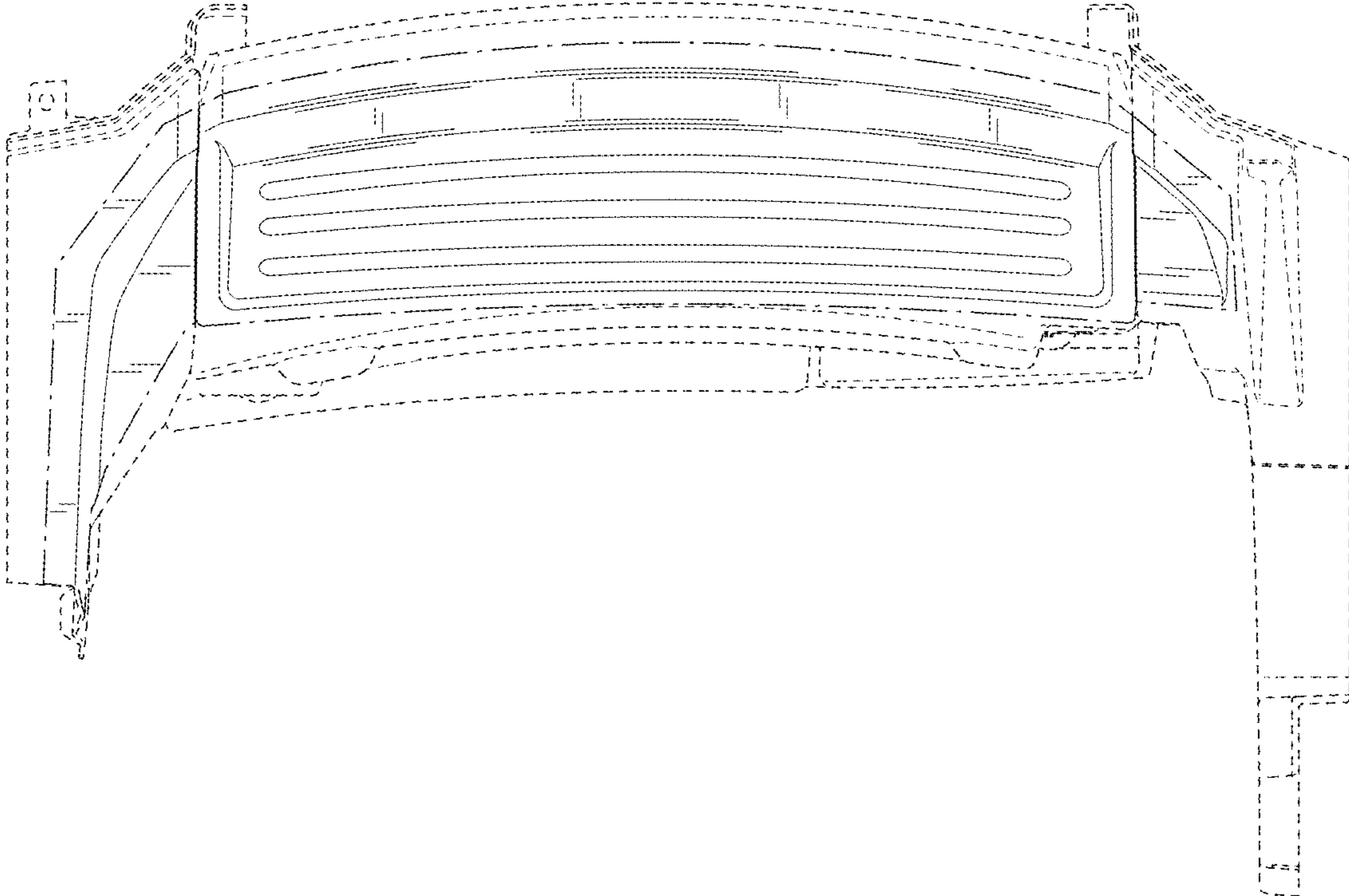


FIG.4