



US00D892174S

(12) **United States Design Patent**
Wipper et al.

(10) **Patent No.:** **US D892,174 S**

(45) **Date of Patent:** **** Aug. 4, 2020**

(54) **COMPRESSOR**

(74) *Attorney, Agent, or Firm* — Reinhart Boerner Van Deuren P.C.

(71) Applicant: **BITZER Kuehlmaschinenbau GmbH**,
Sindelfingen (DE)

(57) **CLAIM**

(72) Inventors: **Bertram Wipper**, Leipzig (DE);
Mathias Beyer, Leipzig (DE)

We claim the ornamental design for a compressor, as shown and described.

(73) Assignee: **BITZER Kuehlmaschinenbau GmbH**,
Sindelfingen (DE)

DESCRIPTION

(**) Term: **15 Years**

The design application contains at least one drawing executed in color. Copies of this design application publication with color drawings will be provided by the Office upon request and payment of the necessary fee.

(21) Appl. No.: **29/656,442**

FIG. 1 is a perspective view from the front and right hand side of a compressor in accordance with an embodiment of the present invention;

(22) Filed: **Jul. 12, 2018**

FIG. 2 is a front view of the compressor shown in FIG. 1; FIG. 3 is a rear view of the compressor shown in FIG. 1; FIG. 4 is a top view of the compressor shown in FIG. 1; FIG. 5 is a bottom view of the compressor shown in FIG. 1; FIG. 6 is a left side view of the compressor shown in FIG. 1;

(30) **Foreign Application Priority Data**

Jan. 17, 2018 (EM) 004669513

Jan. 17, 2018 (EM) 004669513-0001

(Continued)

(51) **LOC (12) Cl.** **15-02**

(52) **U.S. Cl.**
USPC **D15/9**

(58) **Field of Classification Search**
USPC D15/7-9; D23/231, 232, 225

(Continued)

FIG. 7 is a right side view of the compressor shown in FIG. 1;

FIG. 8 is a perspective view from the front and right hand side of a compressor in accordance with a second embodiment illustrated with shaded color drawings and markings; FIG. 9 is a front view of the compressor shown in FIG. 8; FIG. 10 is a rear view of the compressor shown in FIG. 8; FIG. 11 is a top view of the compressor shown in FIG. 8; FIG. 12 is a bottom view of the compressor shown in FIG. 8;

(56) **References Cited**

U.S. PATENT DOCUMENTS

D394,068 S 5/1998 Pollrich et al.

D467,254 S 12/2002 Ullrich

(Continued)

FIG. 13 is a left side view of the compressor shown in FIG. 8;

FIG. 14 is a right side view of the compressor shown in FIG. 8;

OTHER PUBLICATIONS

U.S. Appl. No. 29/539,144, filed Sep. 11, 2015, Christensen.

(Continued)

FIGS. 15 is a perspective view from the front and right hand side of a compressor in accordance with a third embodiment of the present invention;

FIG. 16 is a front view of the compressor shown in FIG. 15;

FIG. 17 is a rear view of the compressor shown in FIG. 15;

FIG. 18 is a top view of the compressor shown in FIG. 15;

(Continued)

Primary Examiner — Mitchell I. Siegel

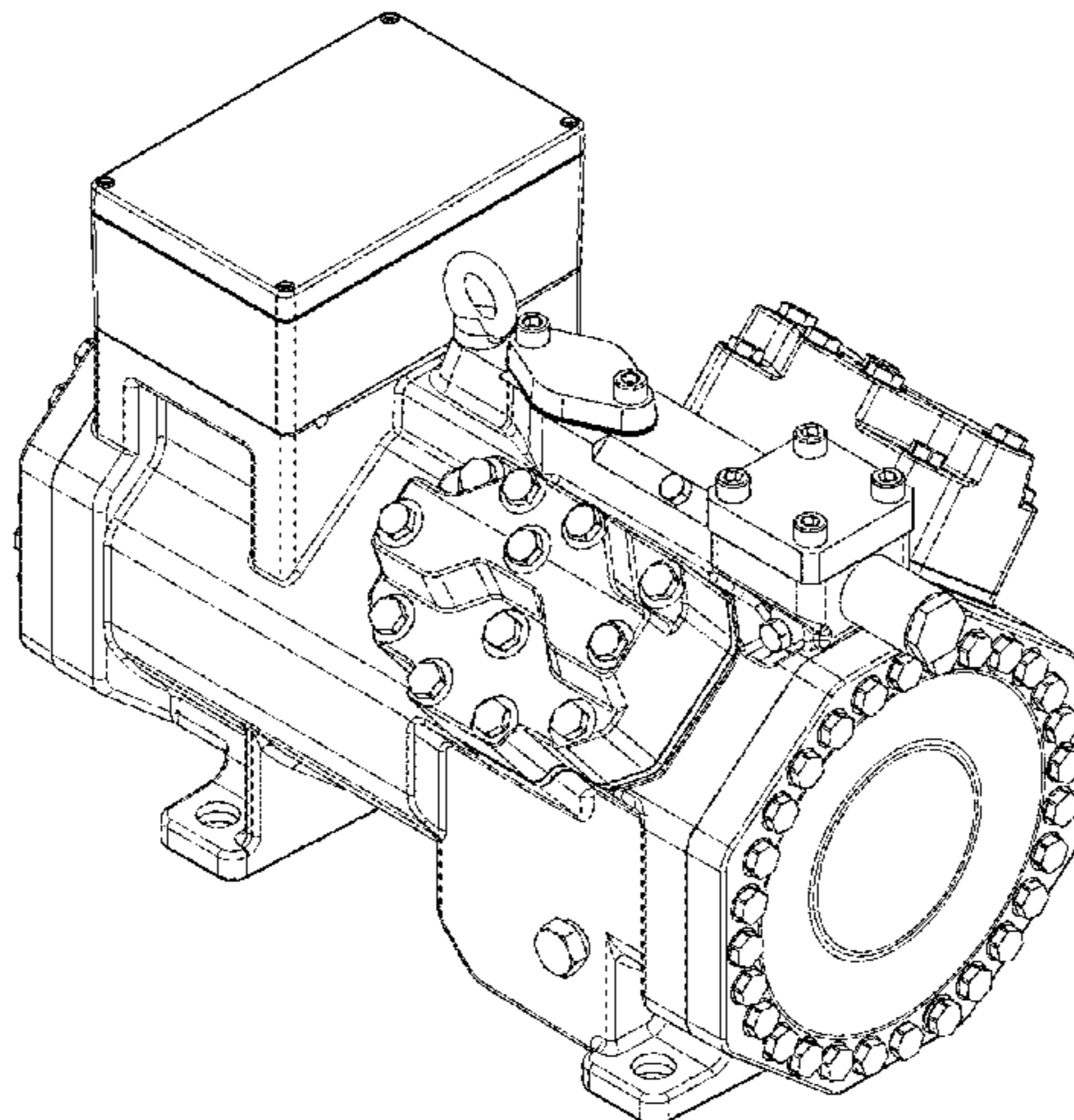


FIG. 19 is a bottom view of the compressor shown in FIG. 15;
 FIG. 20 is a left side view of the compressor shown in FIG. 15;
 FIG. 21 is a right side view of the compressor shown in FIG. 15.
 FIG. 22 is a perspective view from the front and right hand side of a compressor in accordance with a third embodiment illustrated with shaded color drawings and markings;
 FIG. 23 is a front view of the compressor shown in FIG. 22;
 FIG. 24 is a rear view of the compressor shown in FIG. 22;
 FIG. 25 is a top view of the compressor shown in FIG. 22;
 FIG. 26 is a bottom view of the compressor shown in FIG. 22;
 FIG. 27 is a left side view of the compressor shown in FIG. 22;
 FIG. 28 is a right side view of the compressor shown in FIG. 22;
 FIG. 29 is a perspective view from the front and right hand side of a compressor in accordance with a fifth embodiment of the present invention;
 FIG. 30 is a front view of the compressor shown in FIG. 29;
 FIG. 31 is a rear view of the compressor shown in FIG. 29;
 FIG. 32 is a top view of the compressor shown in FIG. 29;
 FIG. 33 is a bottom view of the compressor shown in FIG. 29;
 FIG. 34 is a left side view of the compressor shown in FIGS. 29; and,
 FIG. 35 is a right side view of the compressor shown in FIG. 29.
 The broken lines shown in the drawings are for purposes of illustrating the boundaries of the claimed portions as well as unclaimed portions and unclaimed features of the compressor.

**1 Claim, 35 Drawing Sheets
 (14 of 35 Drawing Sheet(s) Filed in Color)**

(30) **Foreign Application Priority Data**

Jan. 17, 2018 (EM) 004669513-0002
 Jan. 17, 2018 (EM) 004669513-0003
 Jan. 17, 2018 (EM) 004669513-0004
 Jan. 17, 2018 (EM) 004669513-0005

(58) **Field of Classification Search**

CPC F01D 5/14; F01D 5/12; F01D 5/04; F02B
 33/40; F04D 29/42; F02M 37/04; F02M
 37/14

See application file for complete search history.

(56) **References Cited**

U.S. PATENT DOCUMENTS

D479,247 S 9/2003 Ullrich
 D531,194 S 10/2006 Hertenstein et al.

D538,826	S	*	3/2007	Kienzle	D15/9
D595,748	S		7/2009	Kratschmer		
D634,664	S	*	3/2011	DaRif	D15/7
D656,161	S	*	3/2012	Nam	D15/9
D666,220	S	*	8/2012	Chen	D15/9
D666,221	S	*	8/2012	Chen	D15/9
D666,222	S	*	8/2012	Chen	D15/9
D666,223	S	*	8/2012	Chen	D15/9
D668,677	S	*	10/2012	Chen	D15/9
D668,678	S	*	10/2012	Chen	D15/9
D668,679	S	*	10/2012	Chen	D15/9
D668,680	S	*	10/2012	Chen	D15/9
D668,681	S	*	10/2012	Chen	D15/9
D668,682	S	*	10/2012	Chen	D15/9
D671,561	S	*	11/2012	Nam	D15/9
D673,180	S	*	12/2012	Nam	D15/9
D673,584	S	*	1/2013	Nam	D15/7
D678,340	S	*	3/2013	Chu	D15/9
D684,197	S		6/2013	Kienzle et al.		
D690,324	S		9/2013	Kienzle et al.		
D691,638	S	*	10/2013	Alexander	D15/7
D700,212	S	*	2/2014	Alexander	D15/7
D701,538	S	*	3/2014	Nam	D15/9
D704,231	S	*	5/2014	Chen	D15/9
D709,524	S		7/2014	Ohser et al.		
D710,395	S	*	8/2014	Park	D15/9
D710,905	S	*	8/2014	Park	D15/9
D710,906	S	*	8/2014	Park	D15/9
D710,907	S	*	8/2014	Lim	D15/9
D710,908	S	*	8/2014	Son	D15/9
D710,909	S	*	8/2014	Kim	D15/9
D714,829	S	*	10/2014	Chu	D15/9
D714,832	S	*	10/2014	Chen	D15/9
D714,834	S	*	10/2014	Chen	D15/9
D715,326	S	*	10/2014	Lim	D15/9
D715,327	S	*	10/2014	Lim	D15/9
D715,328	S	*	10/2014	Kim	D15/9
D717,344	S		11/2014	Ohser et al.		
D723,067	S	*	2/2015	Lim	D15/9
D731,558	S	*	6/2015	Chen	D15/9
D732,085	S	*	6/2015	Park	D15/9
D732,641	S		6/2015	Hermann		
D733,764	S		7/2015	Ohser		
D735,244	S	*	7/2015	Jeong	D15/9
D745,896	S		12/2015	Ohser et al.		
D761,326	S		7/2016	Kienzle et al.		
D763,323	S	*	8/2016	Mikulic	D15/9
D777,213	S		1/2017	Ohser		
D777,794	S		1/2017	Wipper et al.		
D819,702	S	*	6/2018	Chu	D15/9
D829,711	S		10/2018	Akana et al.		
D835,158	S	*	12/2018	Shin	D15/9
D838,294	S	*	1/2019	Nguyen	D15/7
D842,341	S	*	3/2019	Shin	D15/9

OTHER PUBLICATIONS

U.S. Appl. No. 29/616,611, filed Sep. 7, 2017, Mikesch et al.
 U.S. Appl. No. 29/618,442, filed Sep. 21, 2017, Mikulic et al.
 U.S. Appl. No. 29/658,622, filed Aug. 1, 2018, Loerch.

* cited by examiner

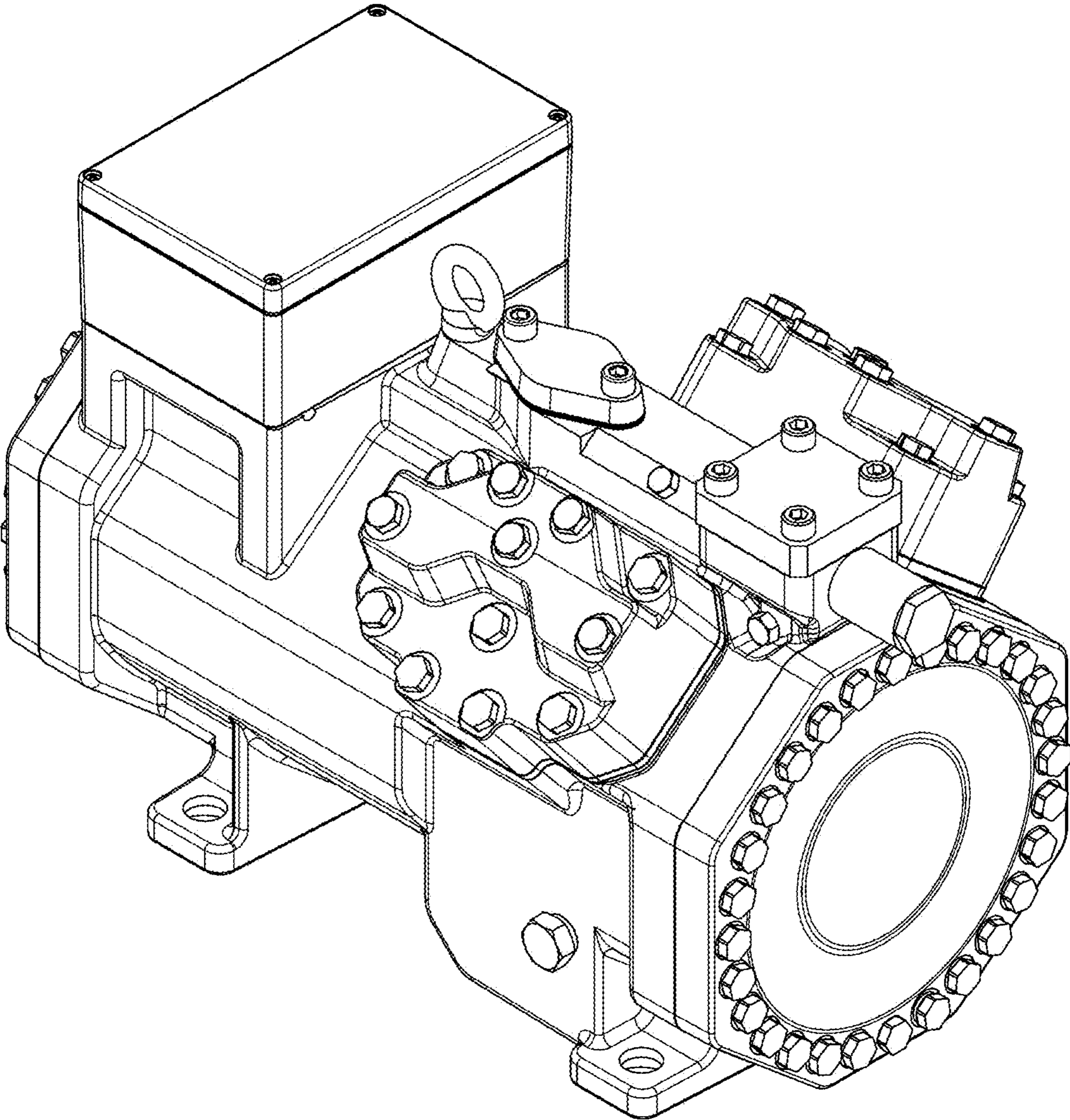


FIG 1

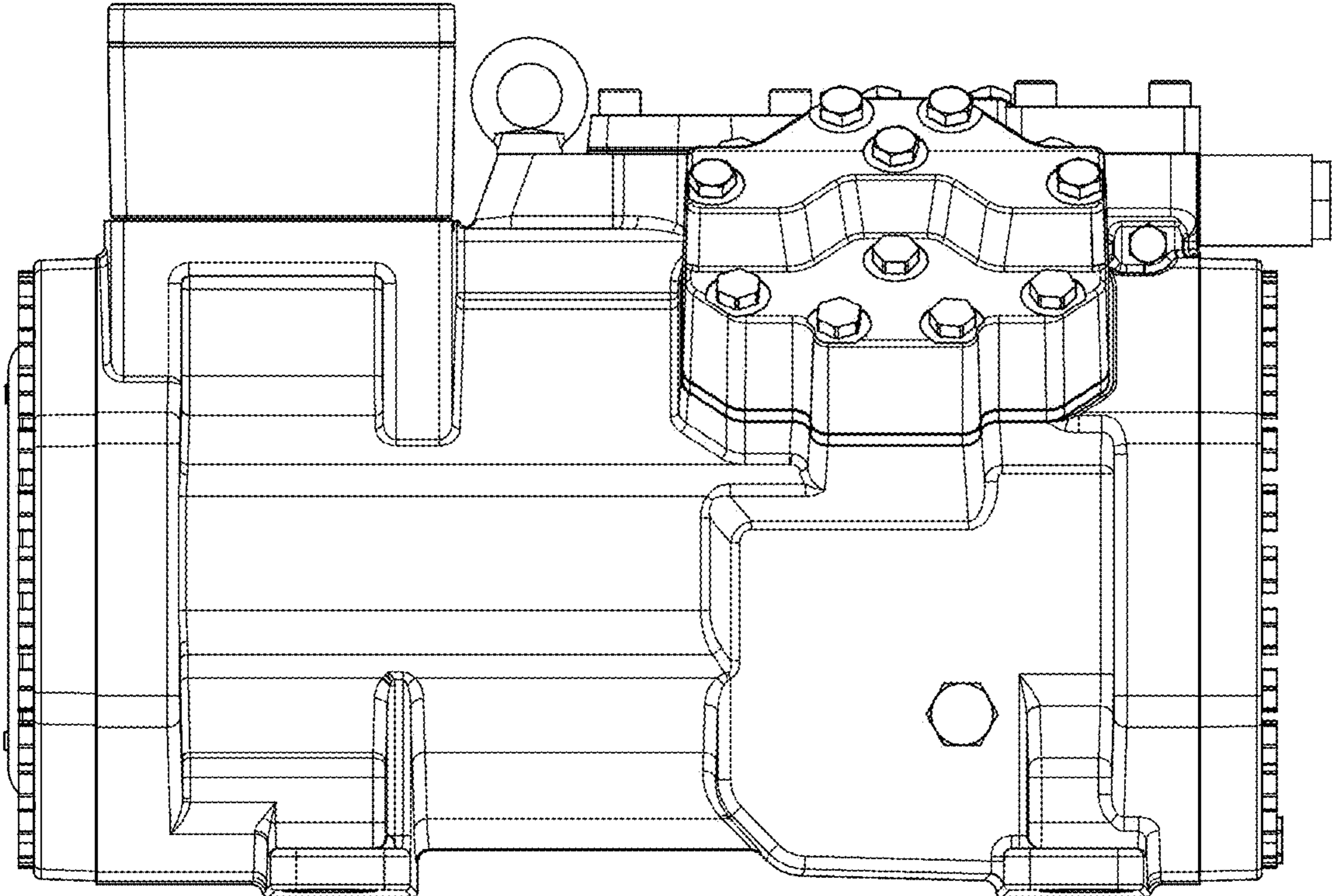


FIG 2

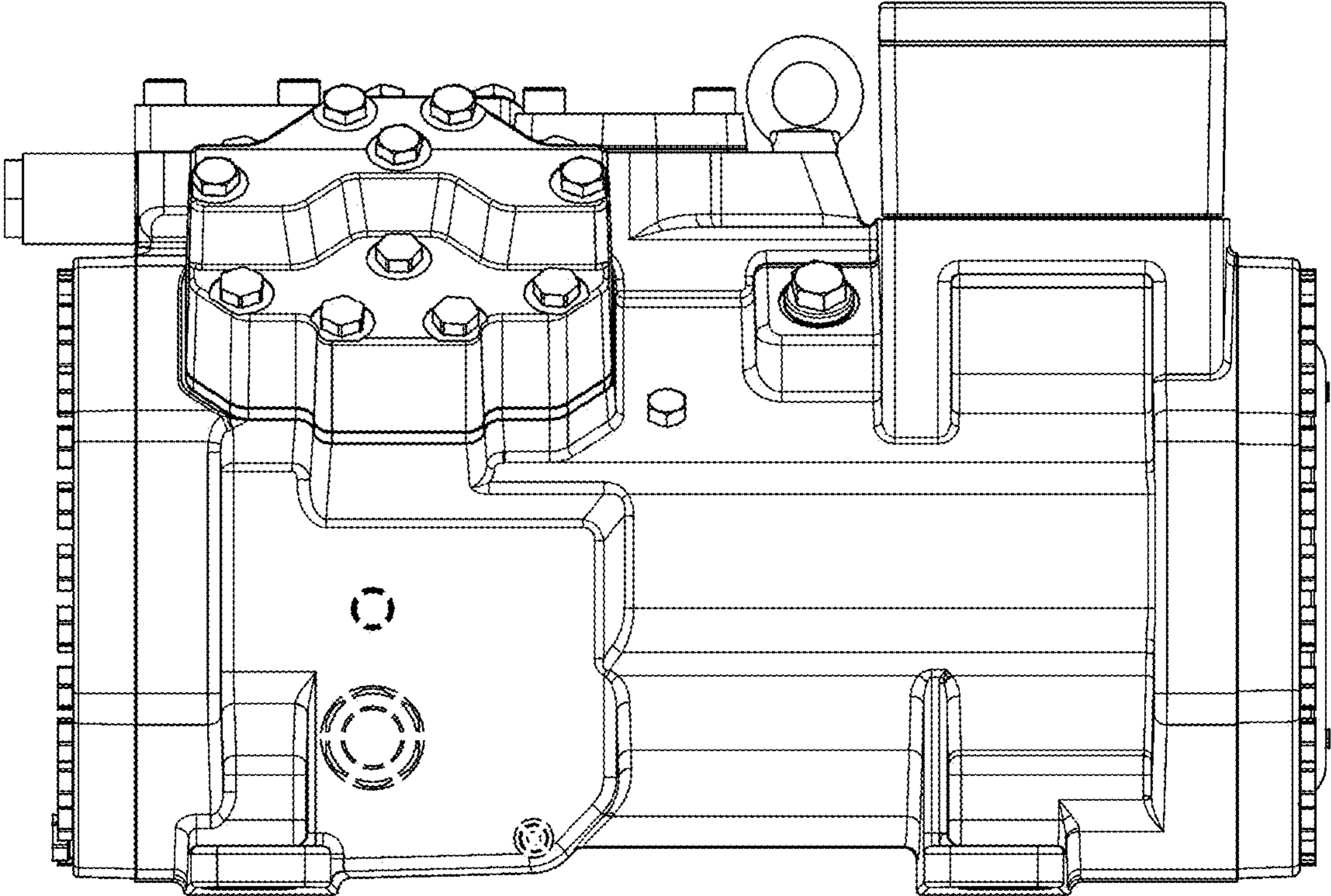


FIG 3

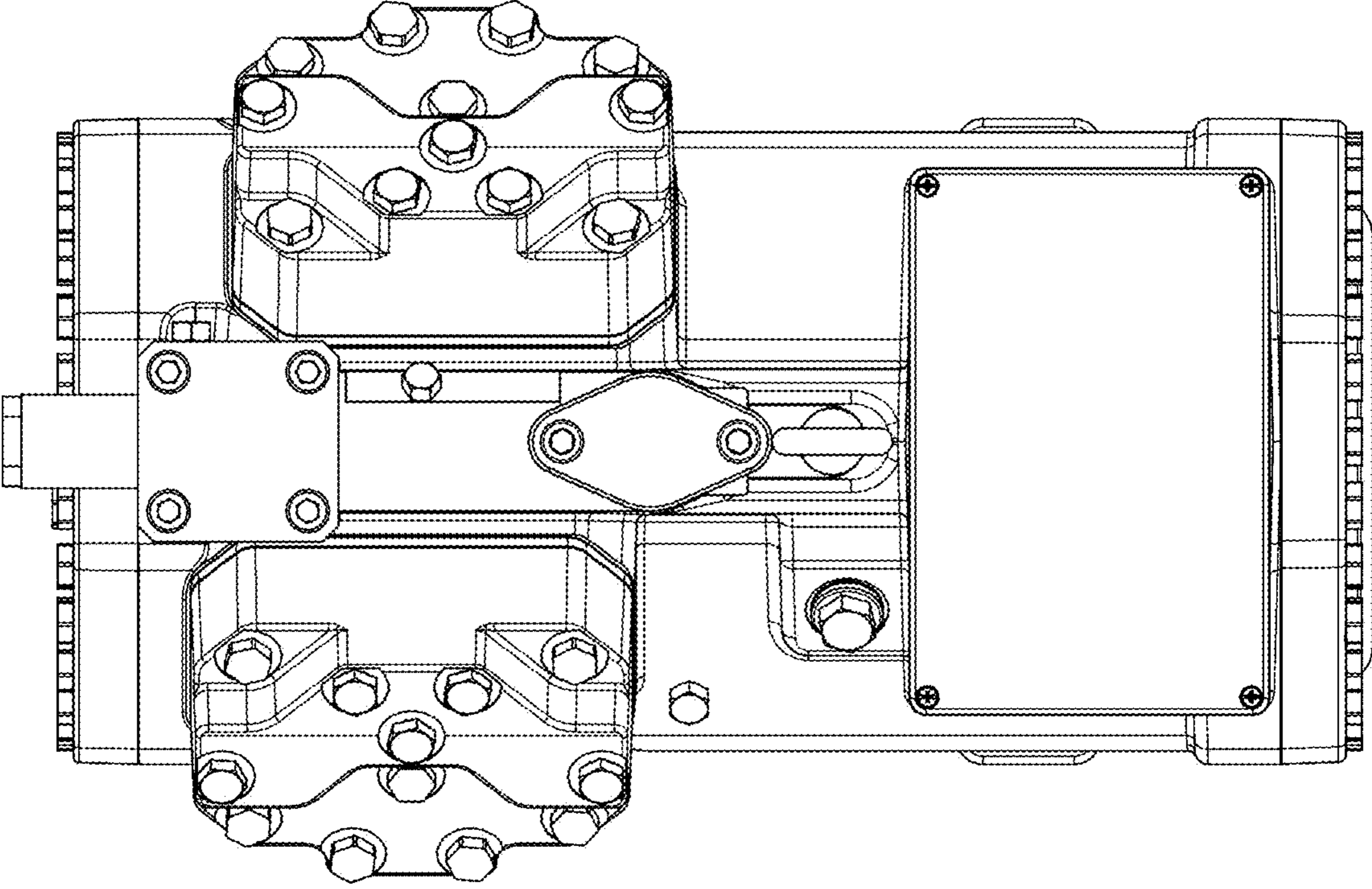


FIG 4

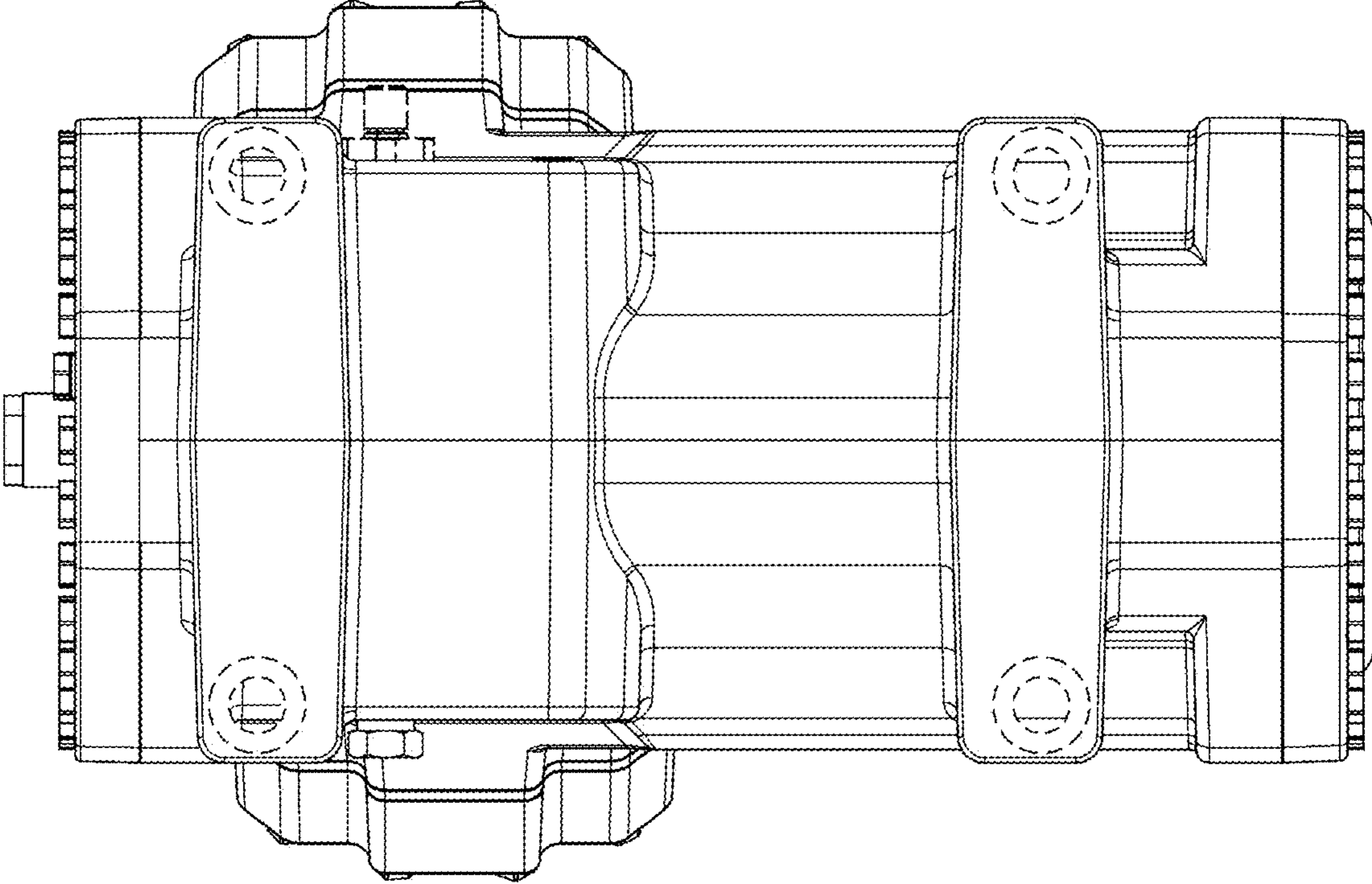


FIG 5

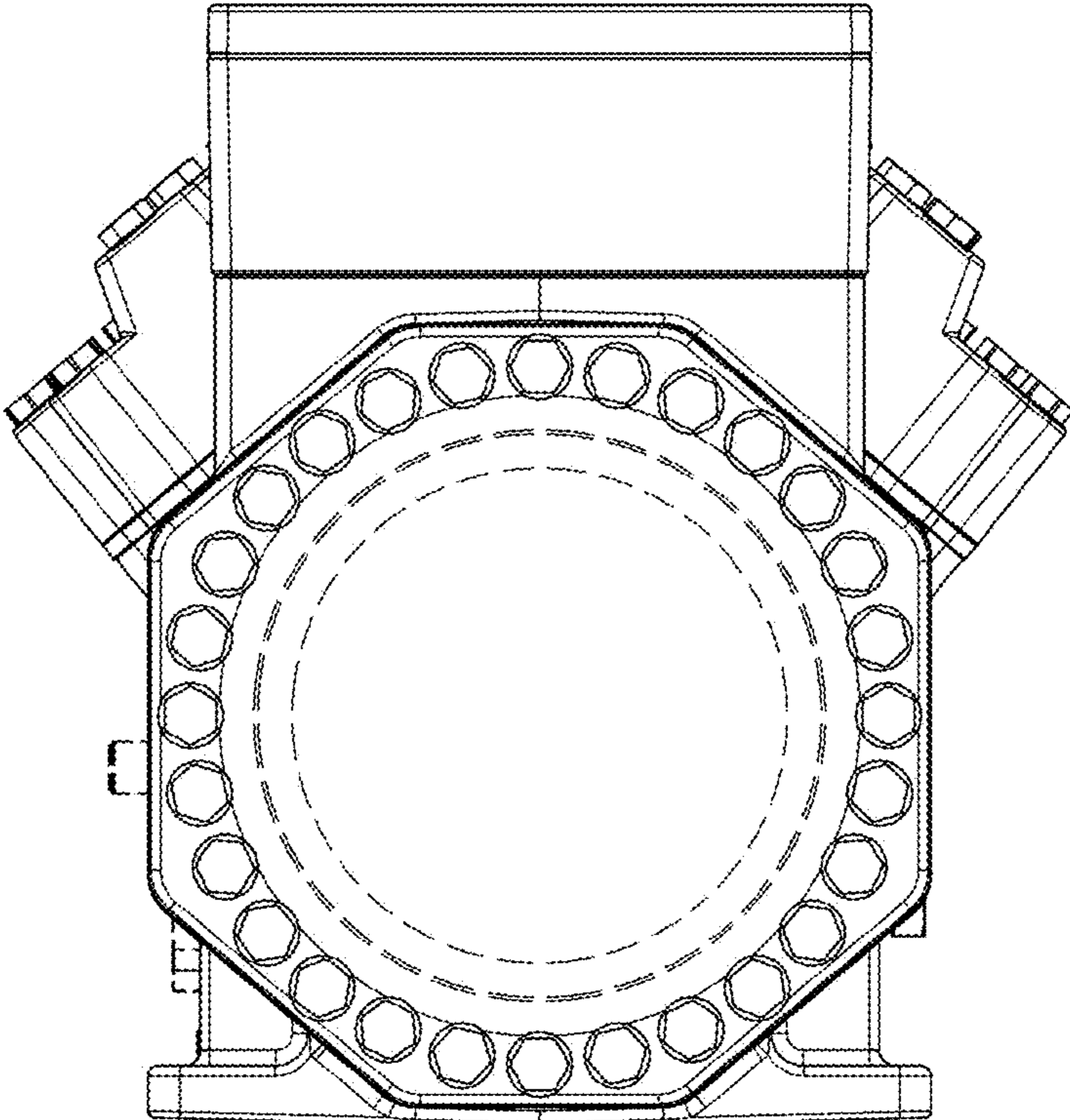


FIG 6

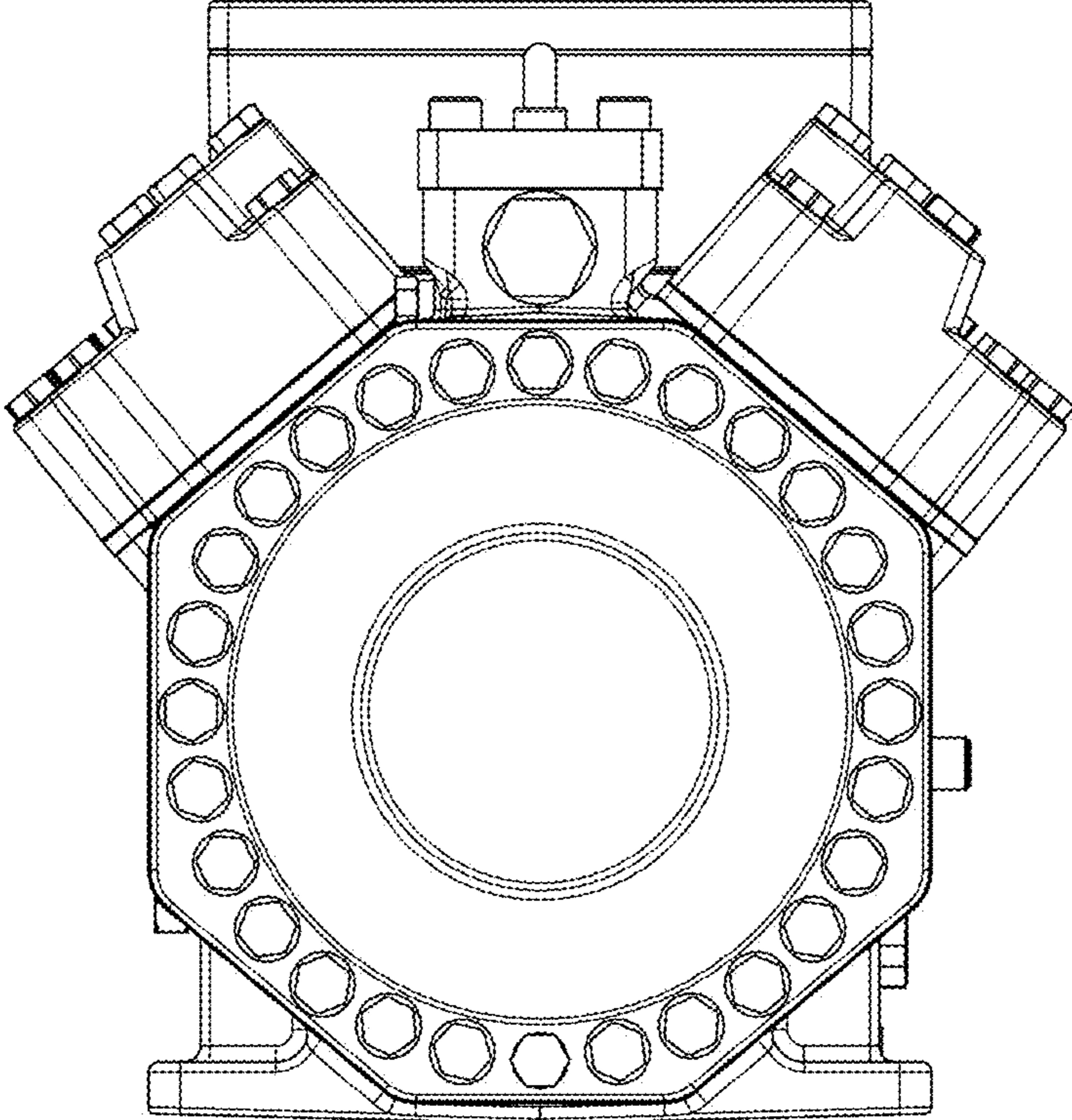


FIG 7

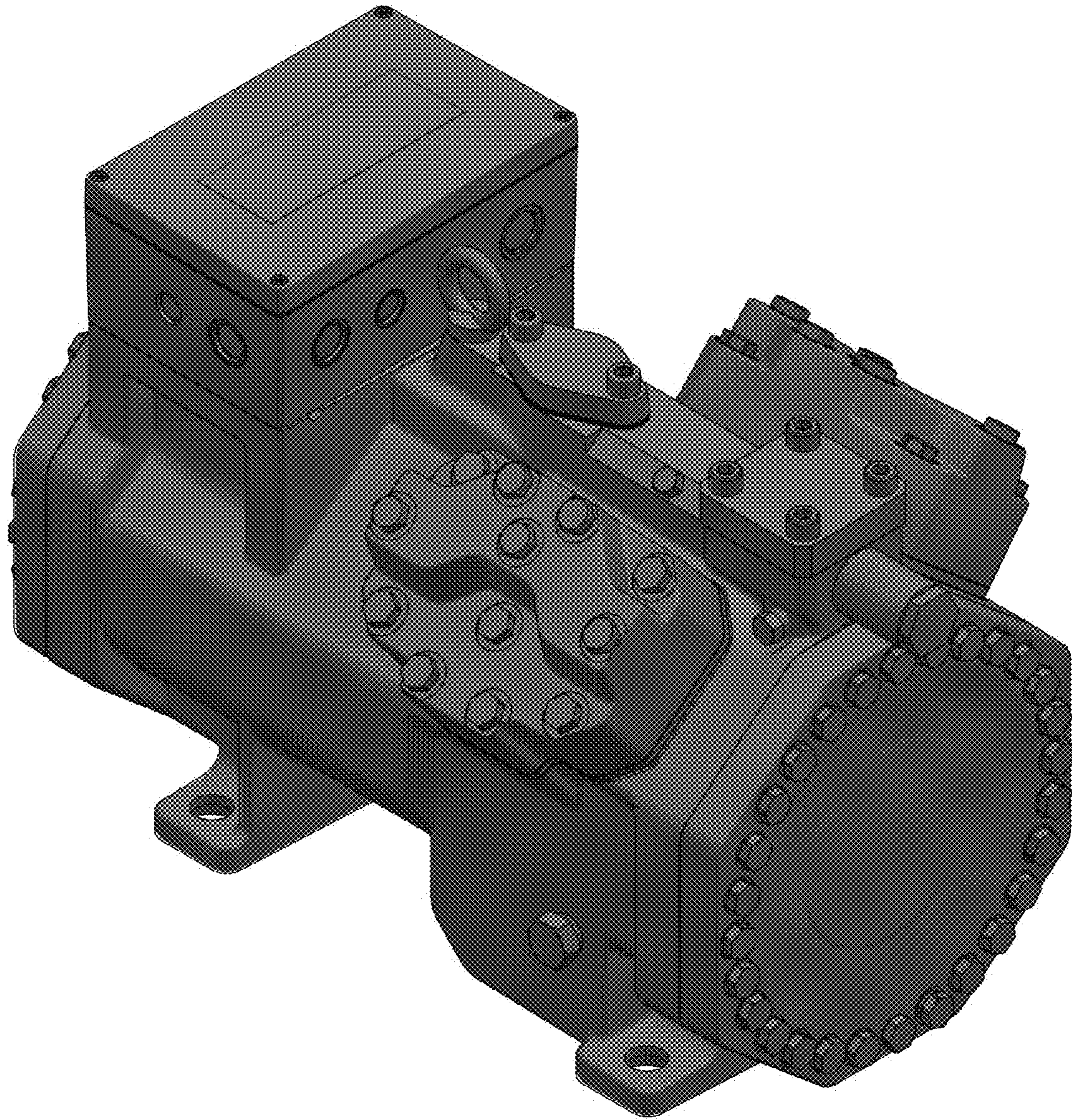


FIG 8

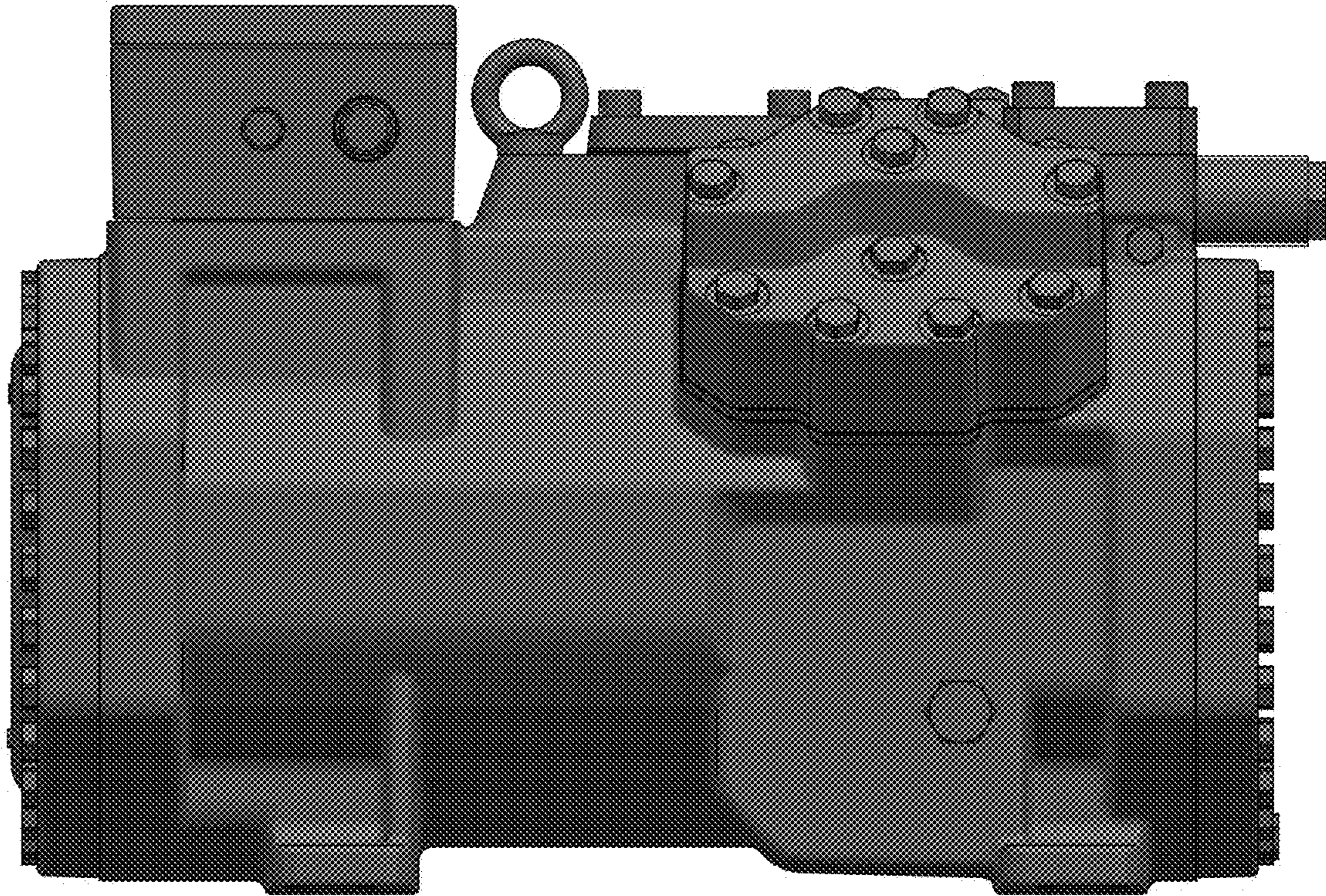


FIG 9

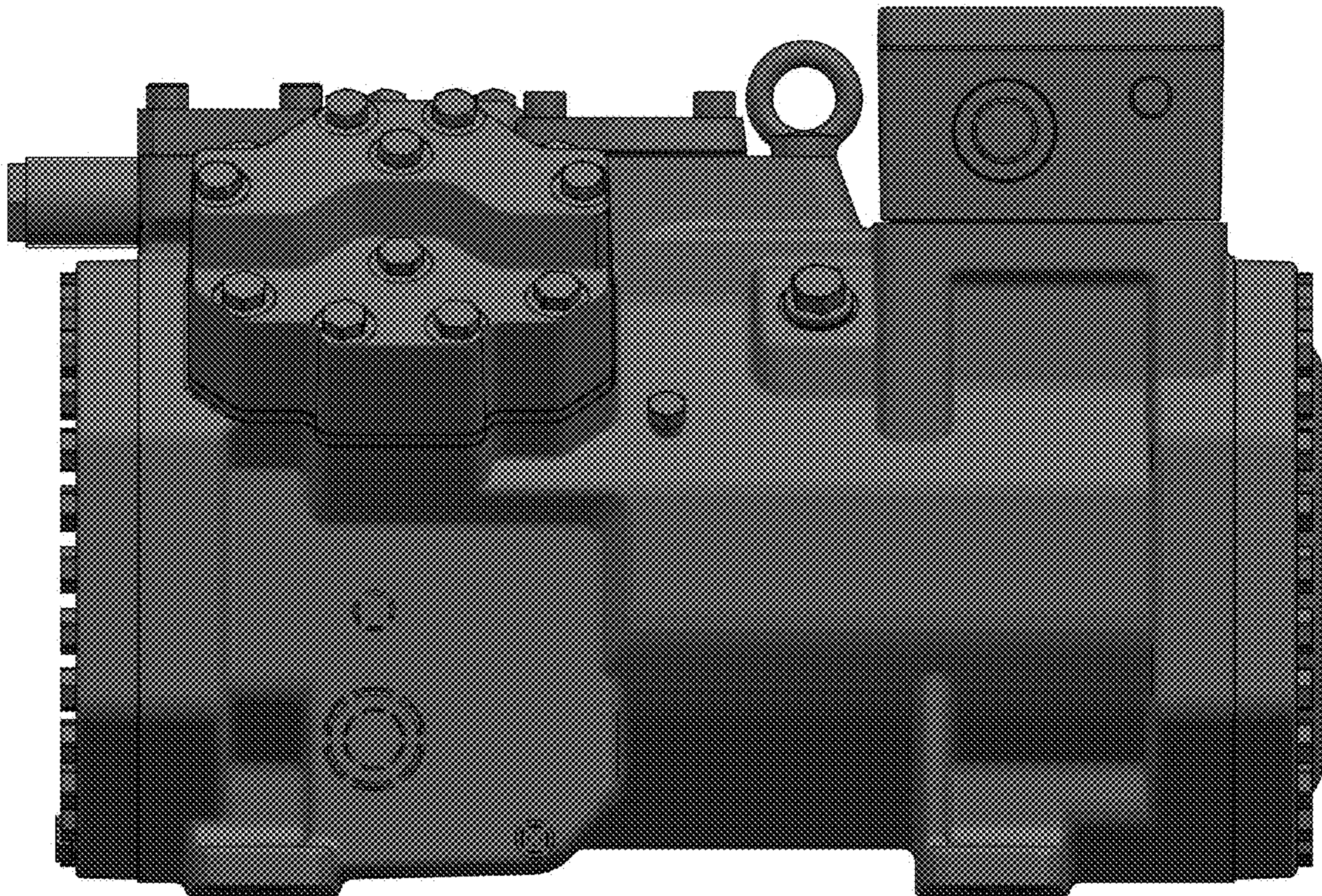


FIG 10

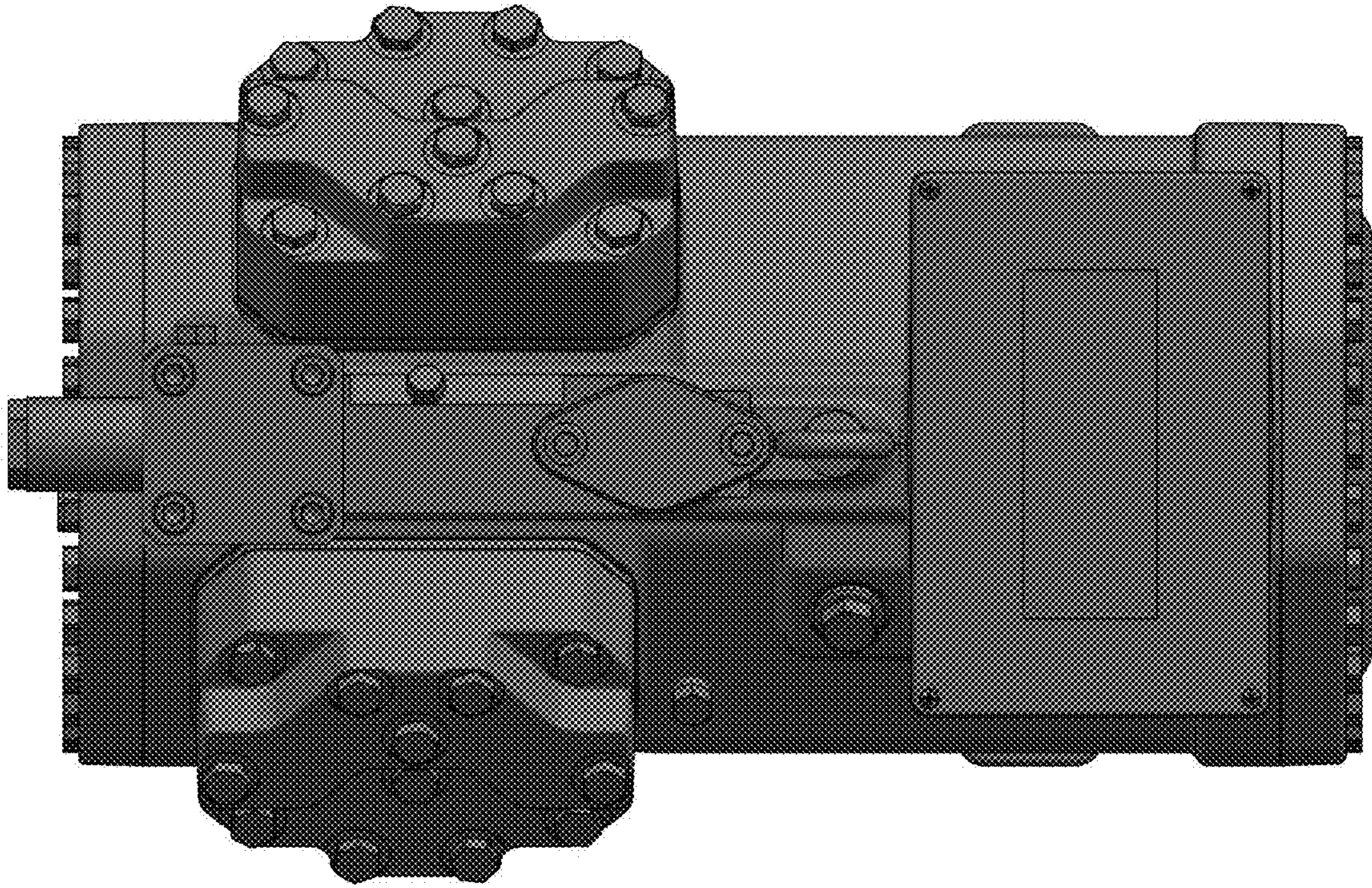


FIG 11

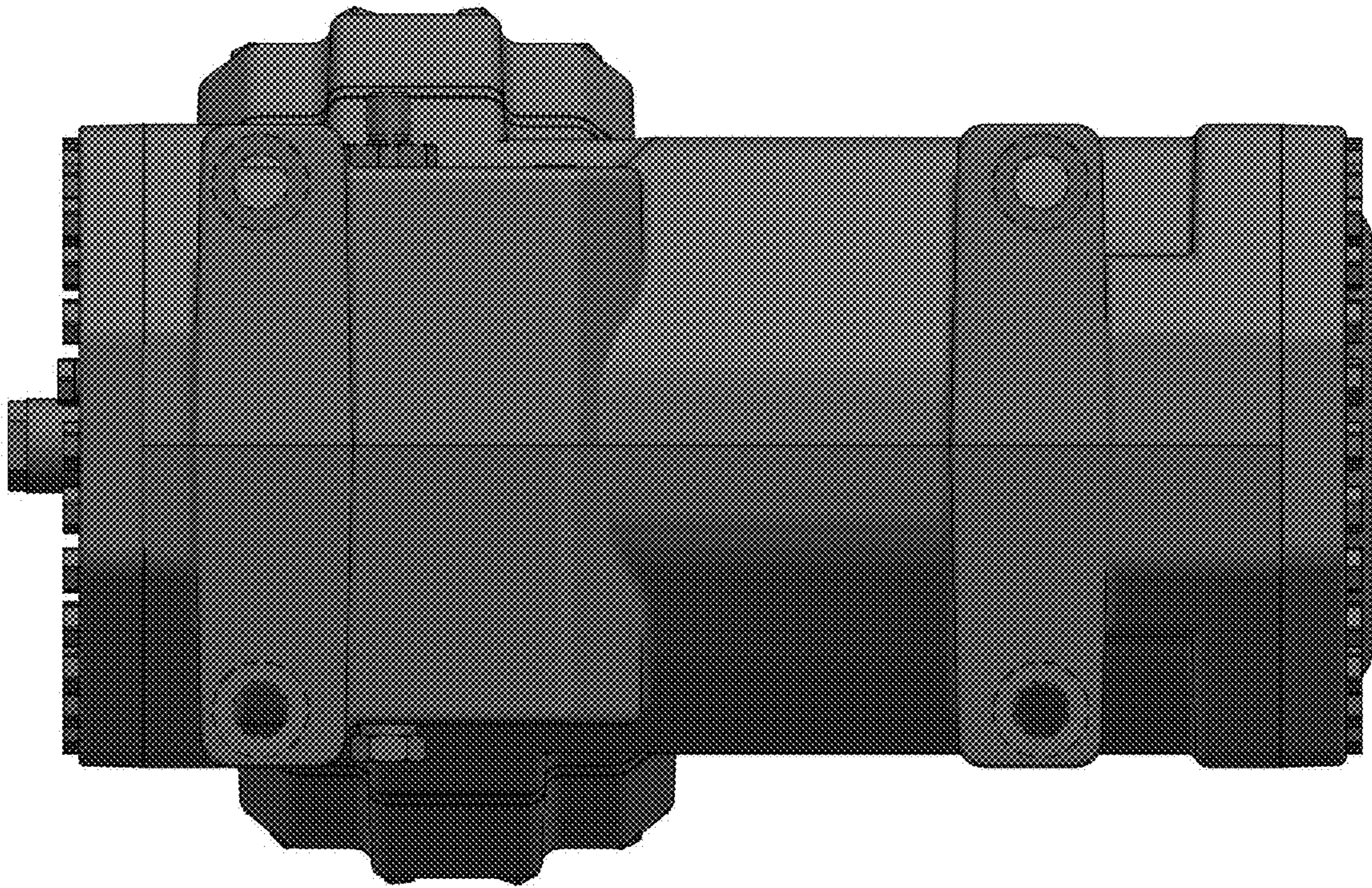


FIG 12

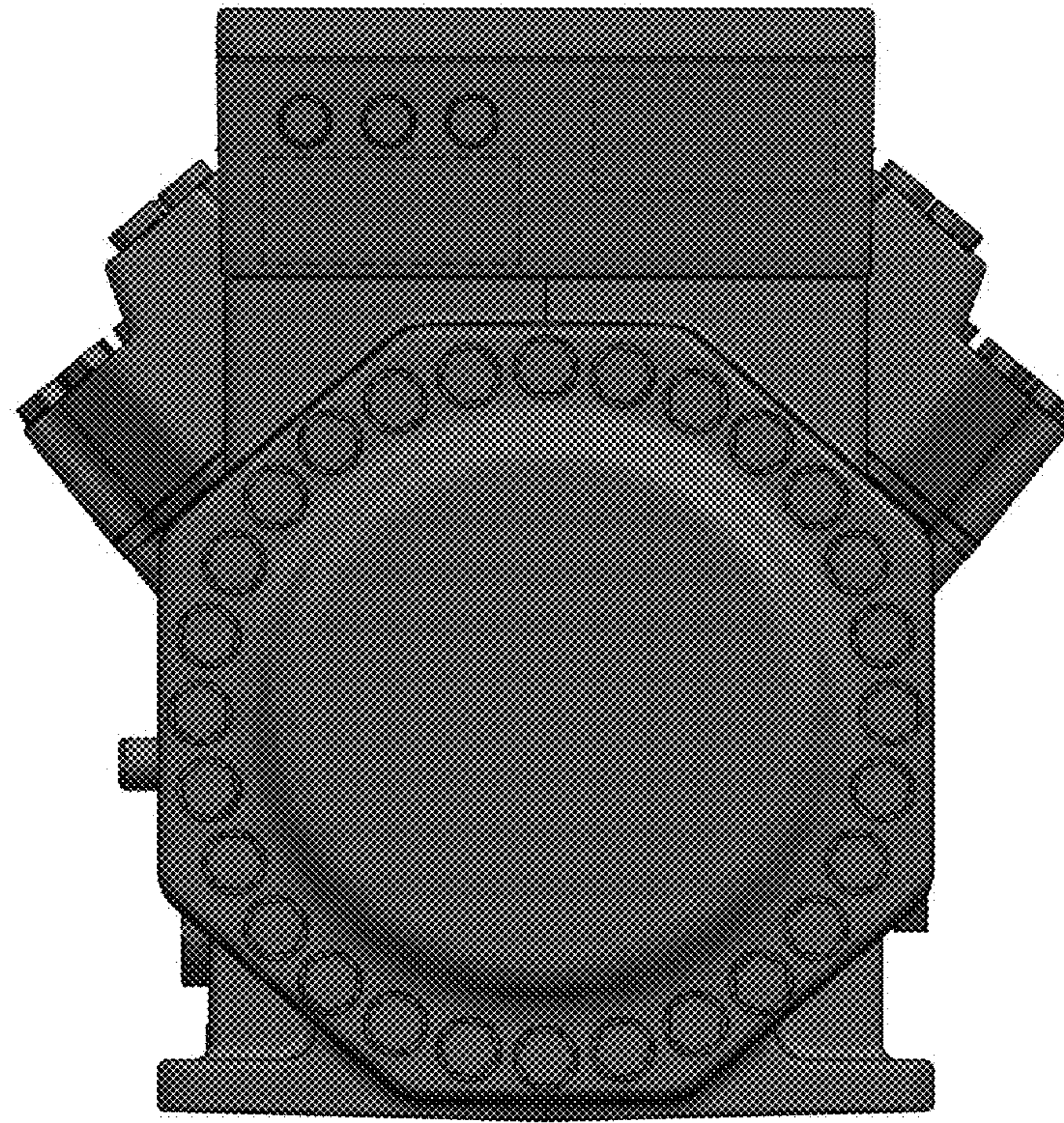


FIG 13

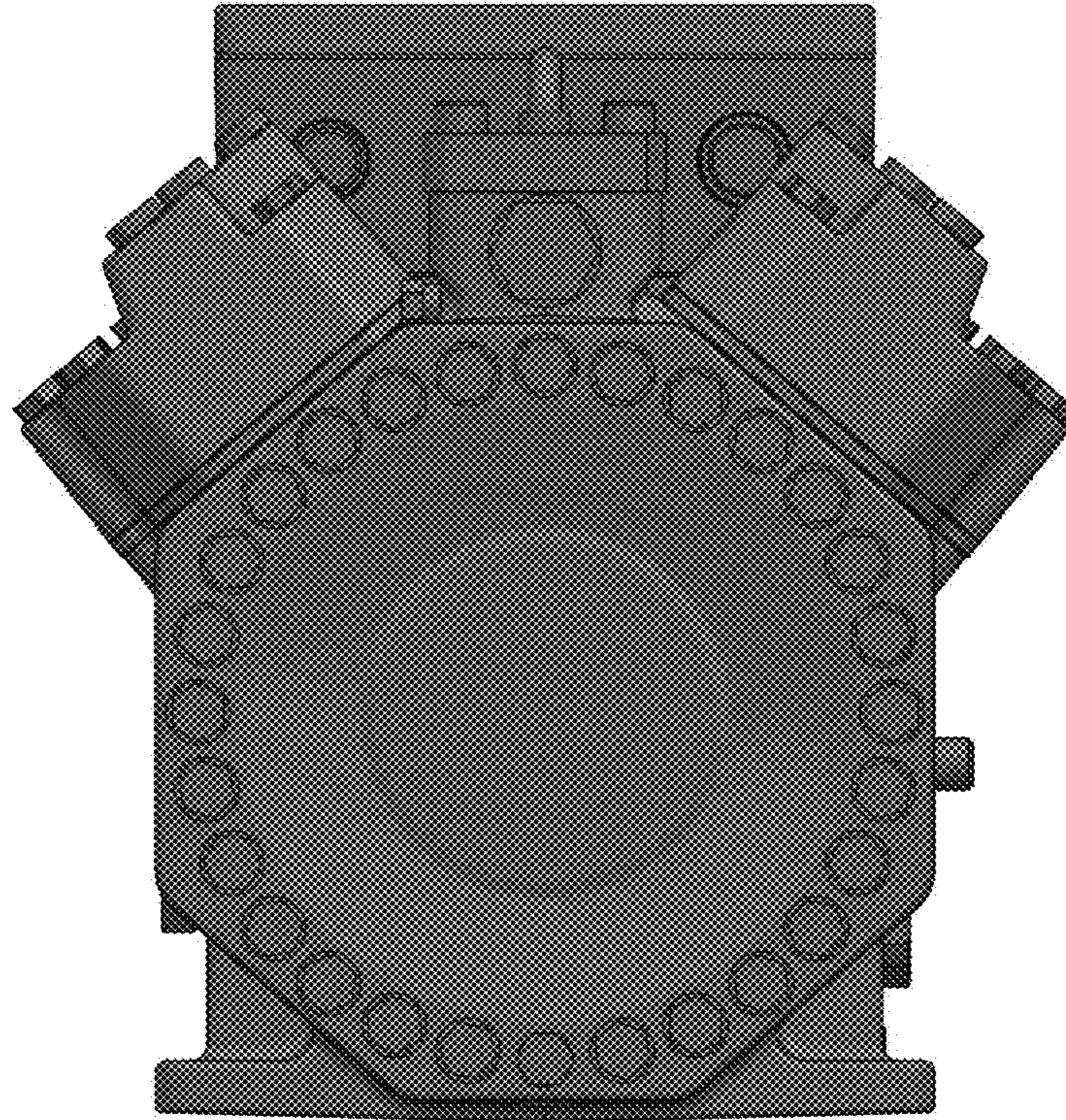


FIG 14

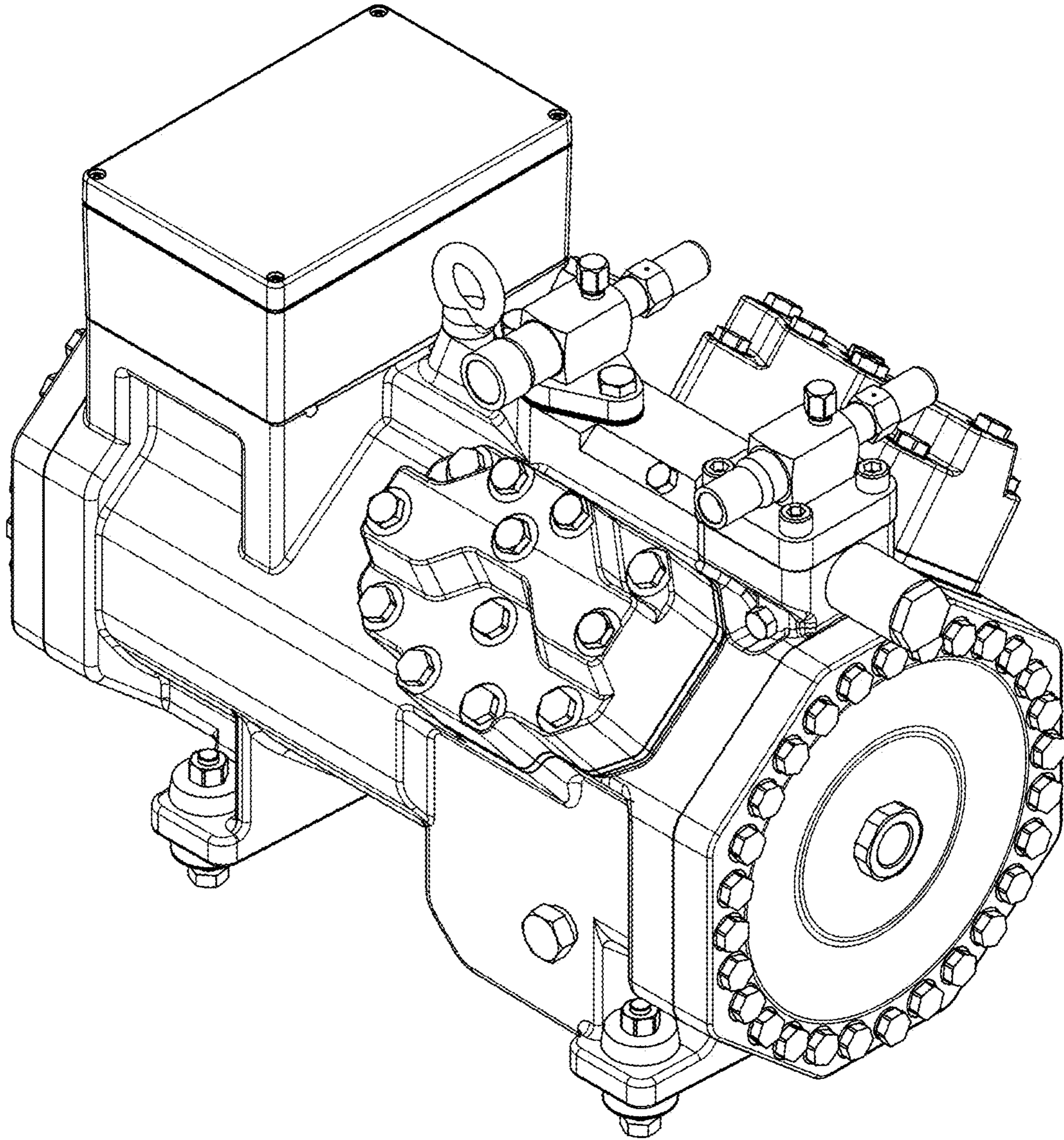


FIG 15

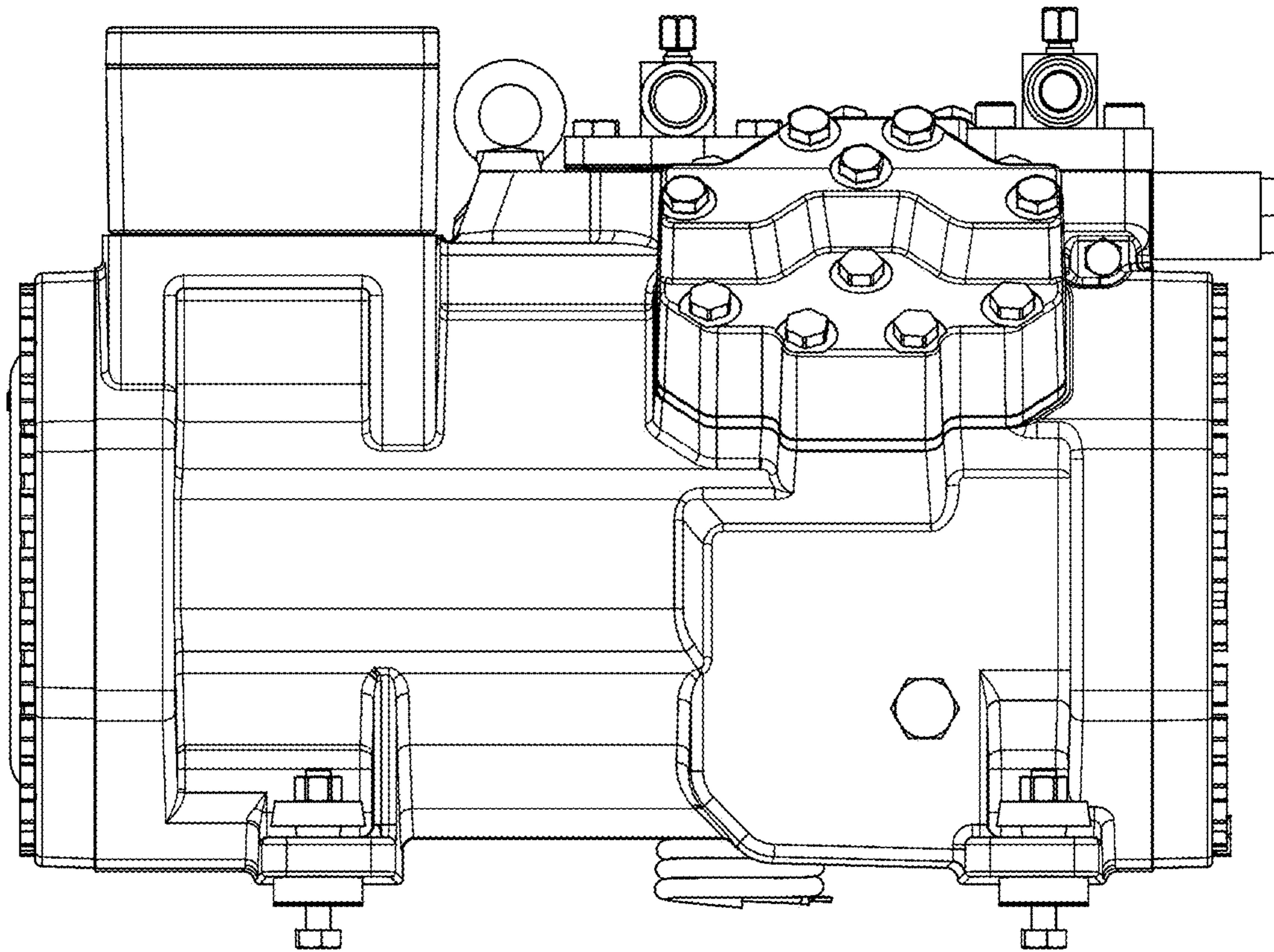


FIG 16

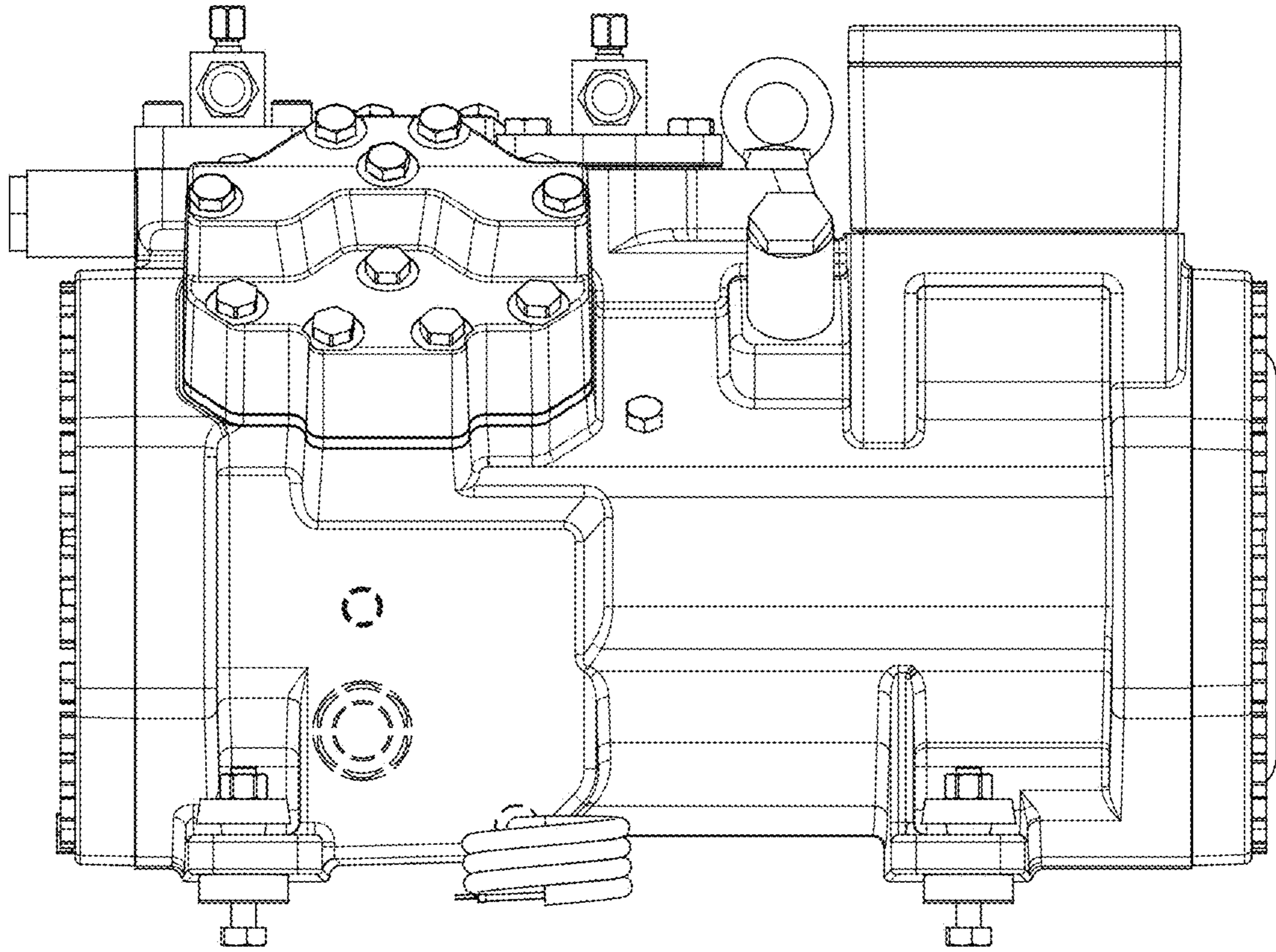


FIG 17

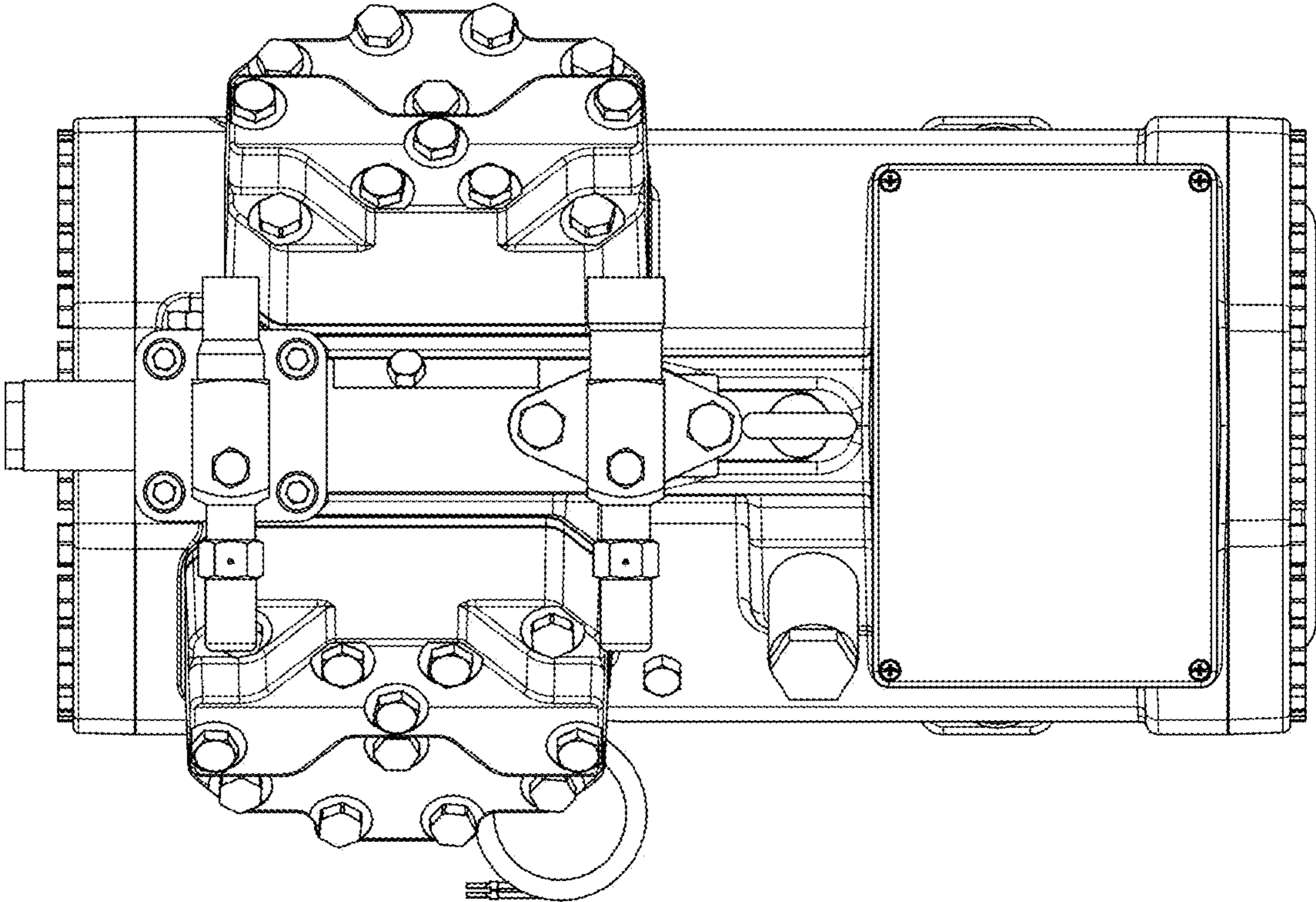


FIG 18

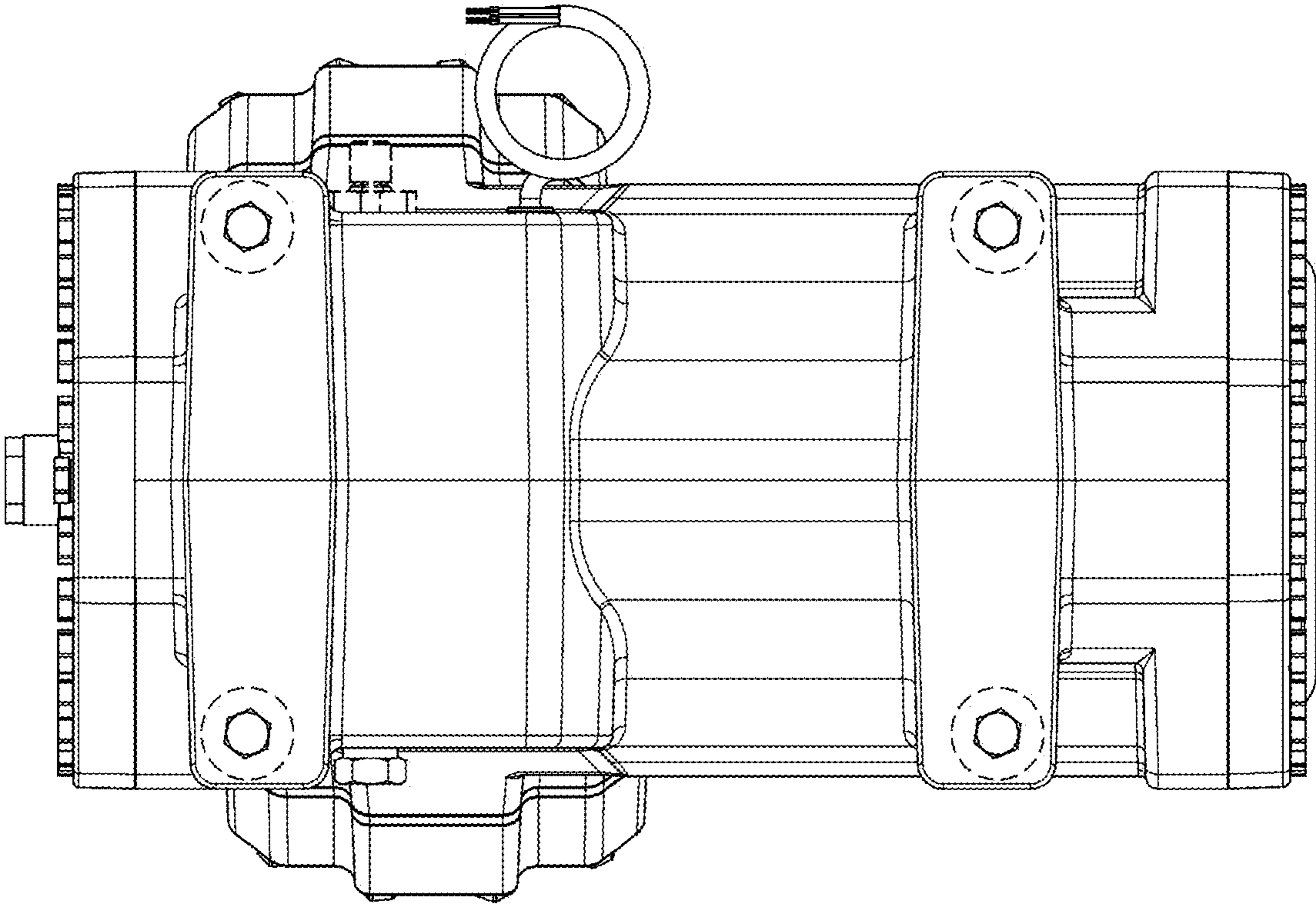


FIG 19

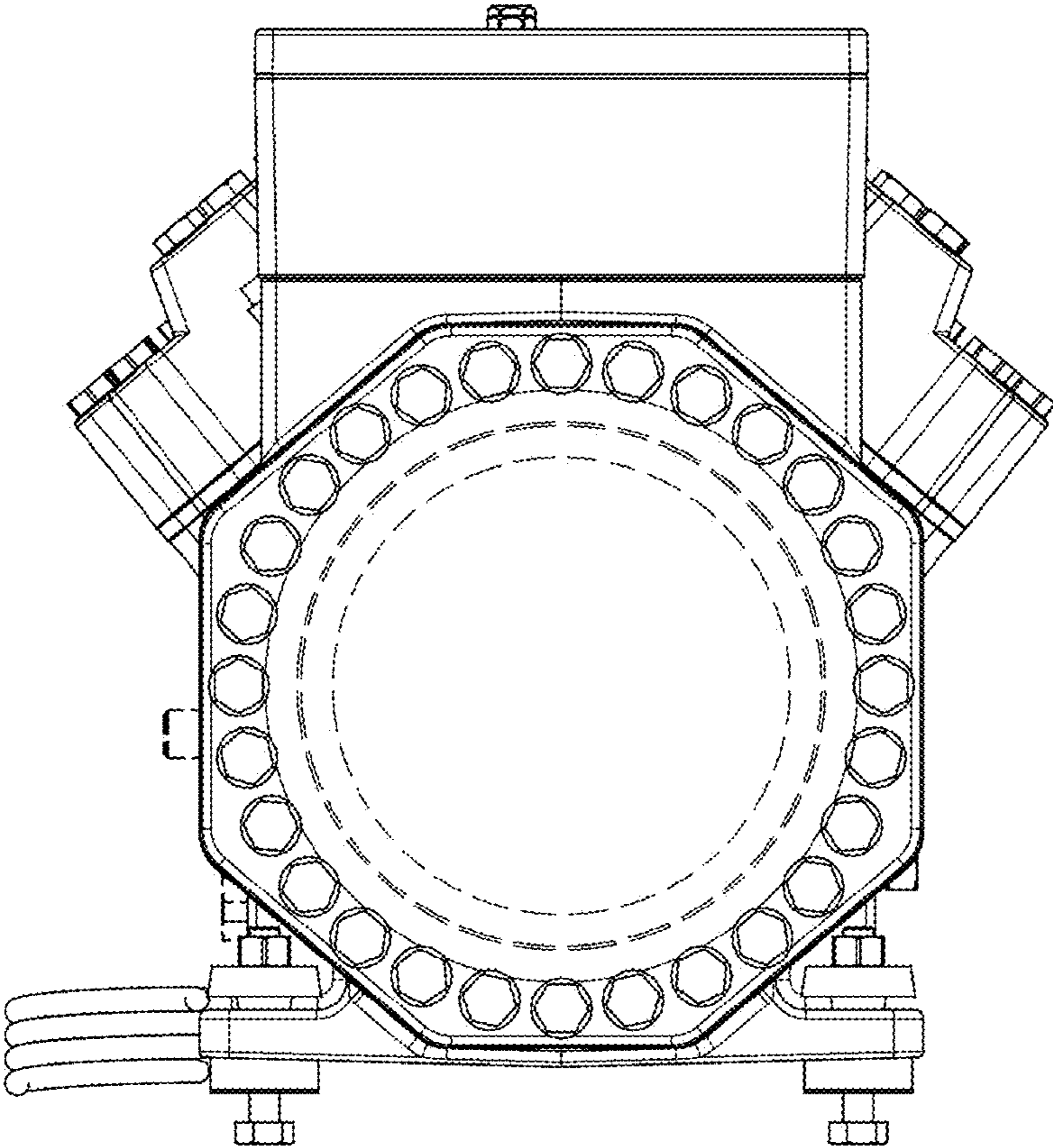


FIG 20

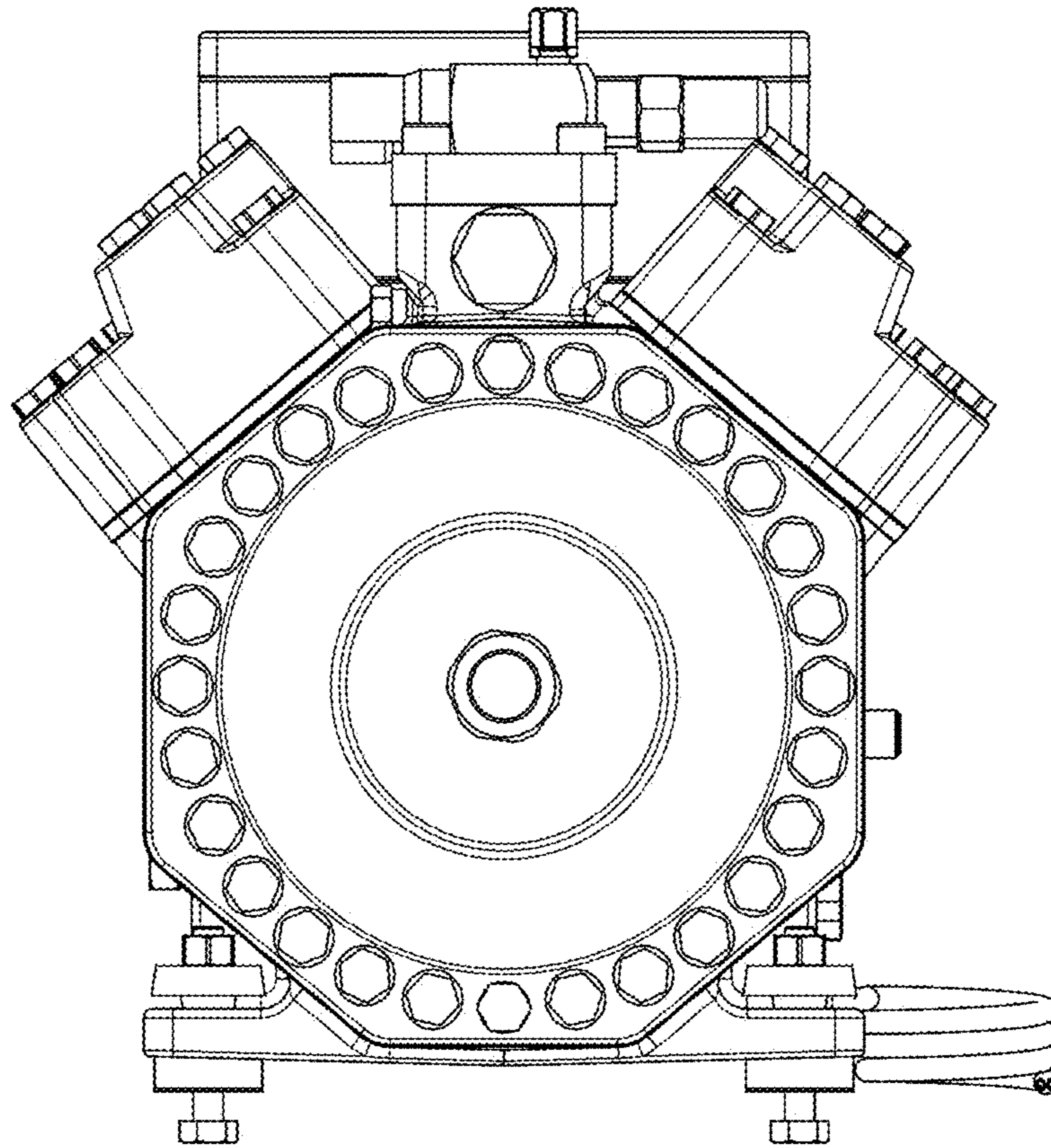


FIG 21

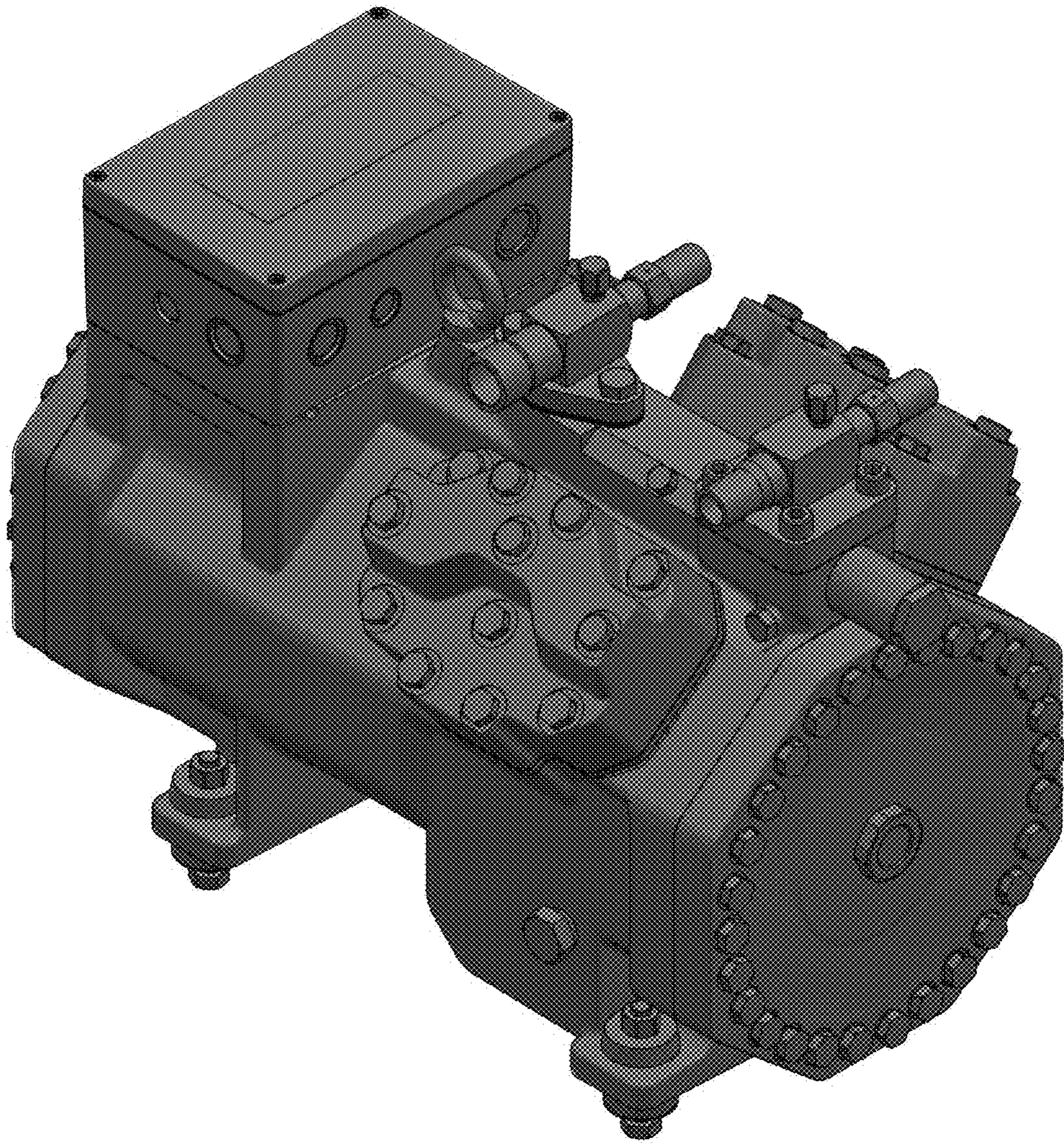


FIG 22

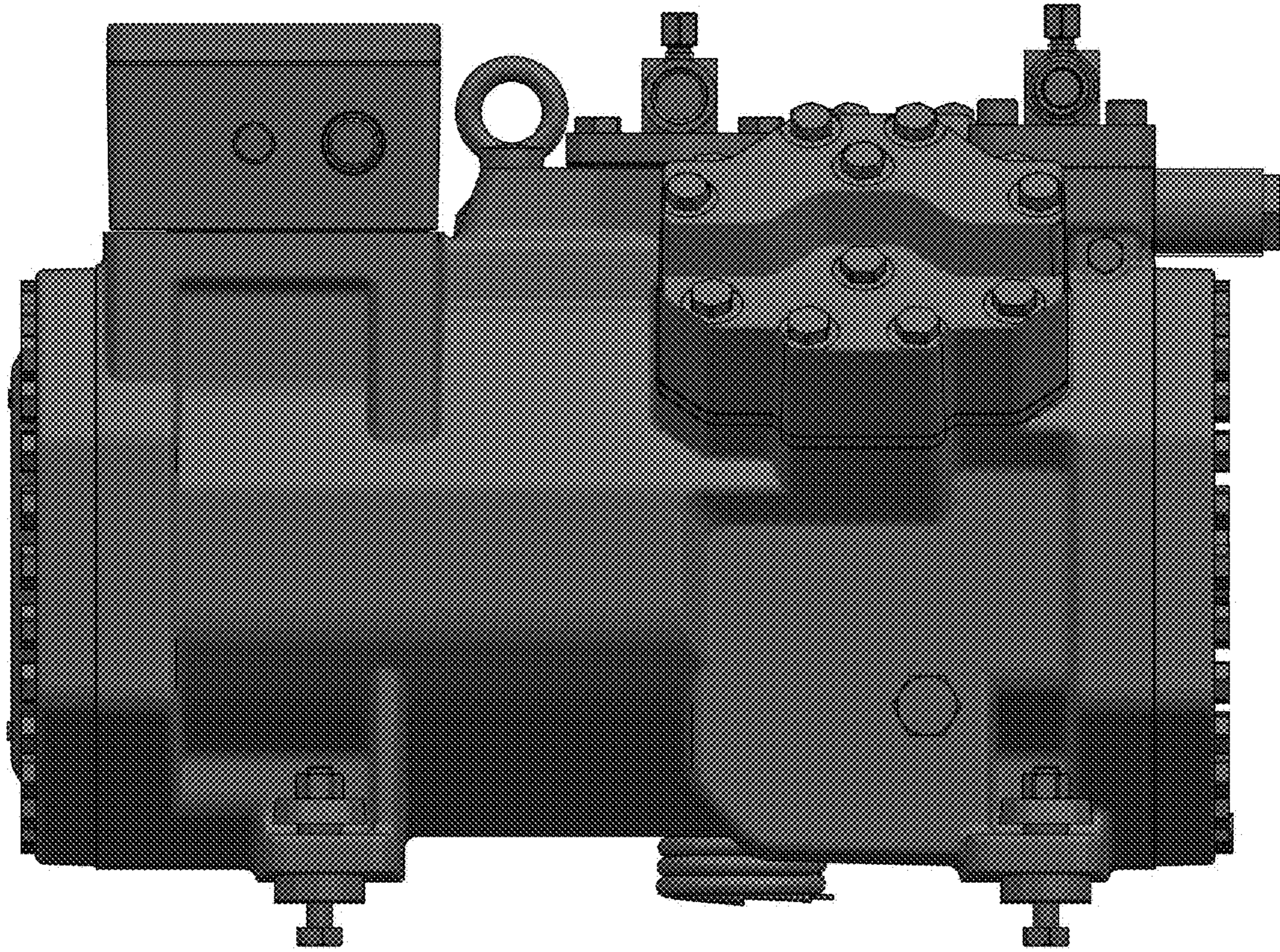


FIG 23

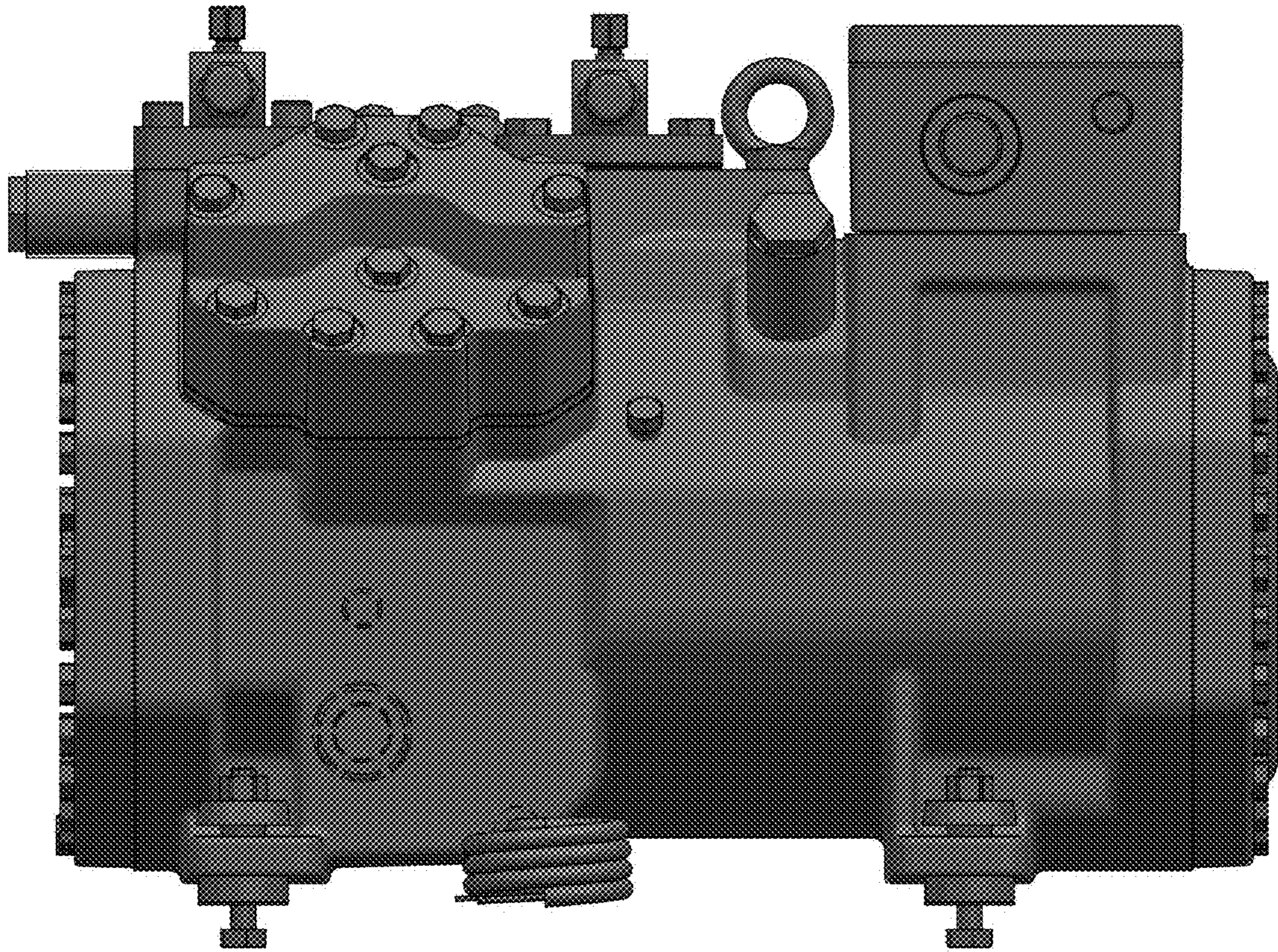


FIG 24

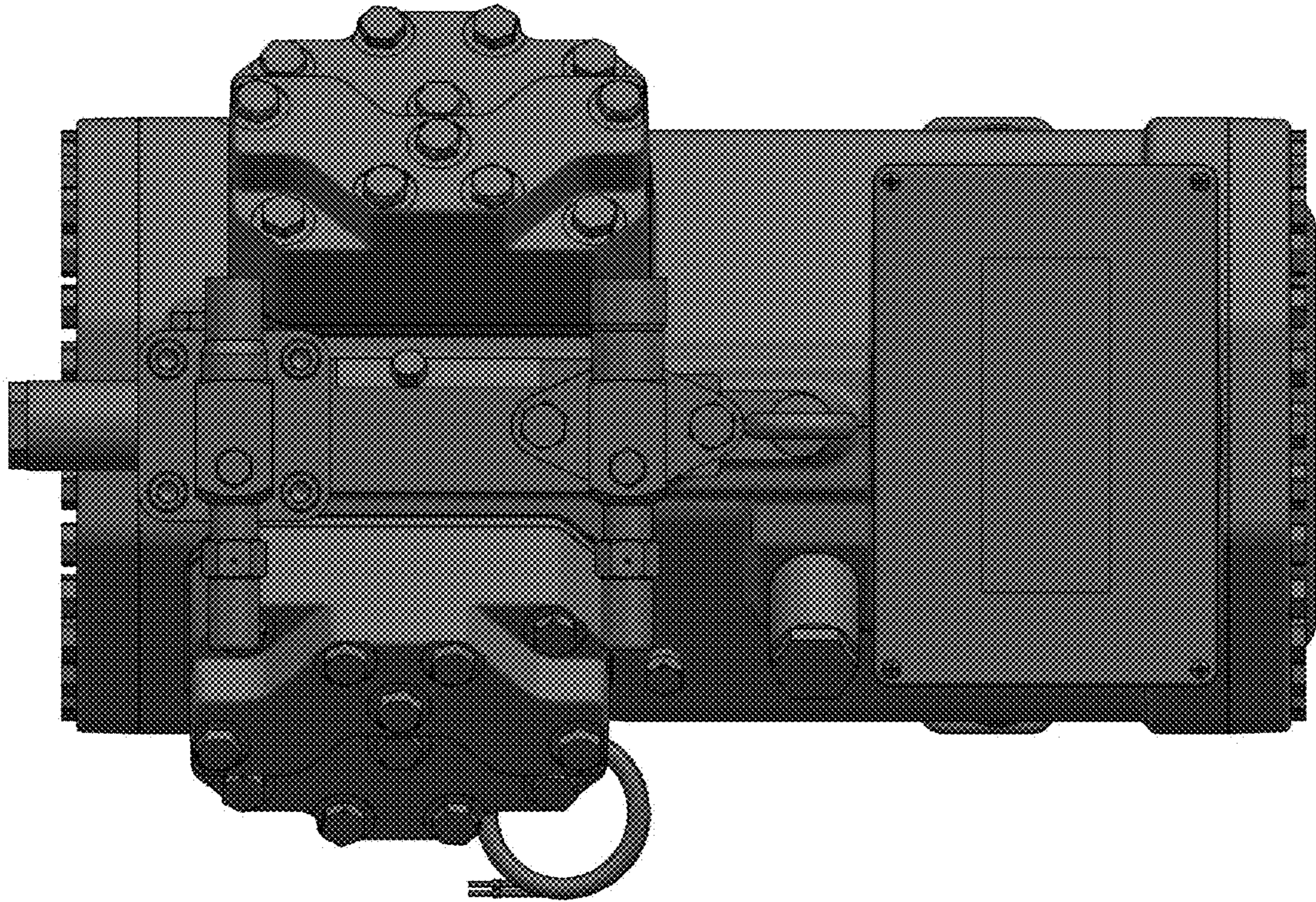


FIG 25

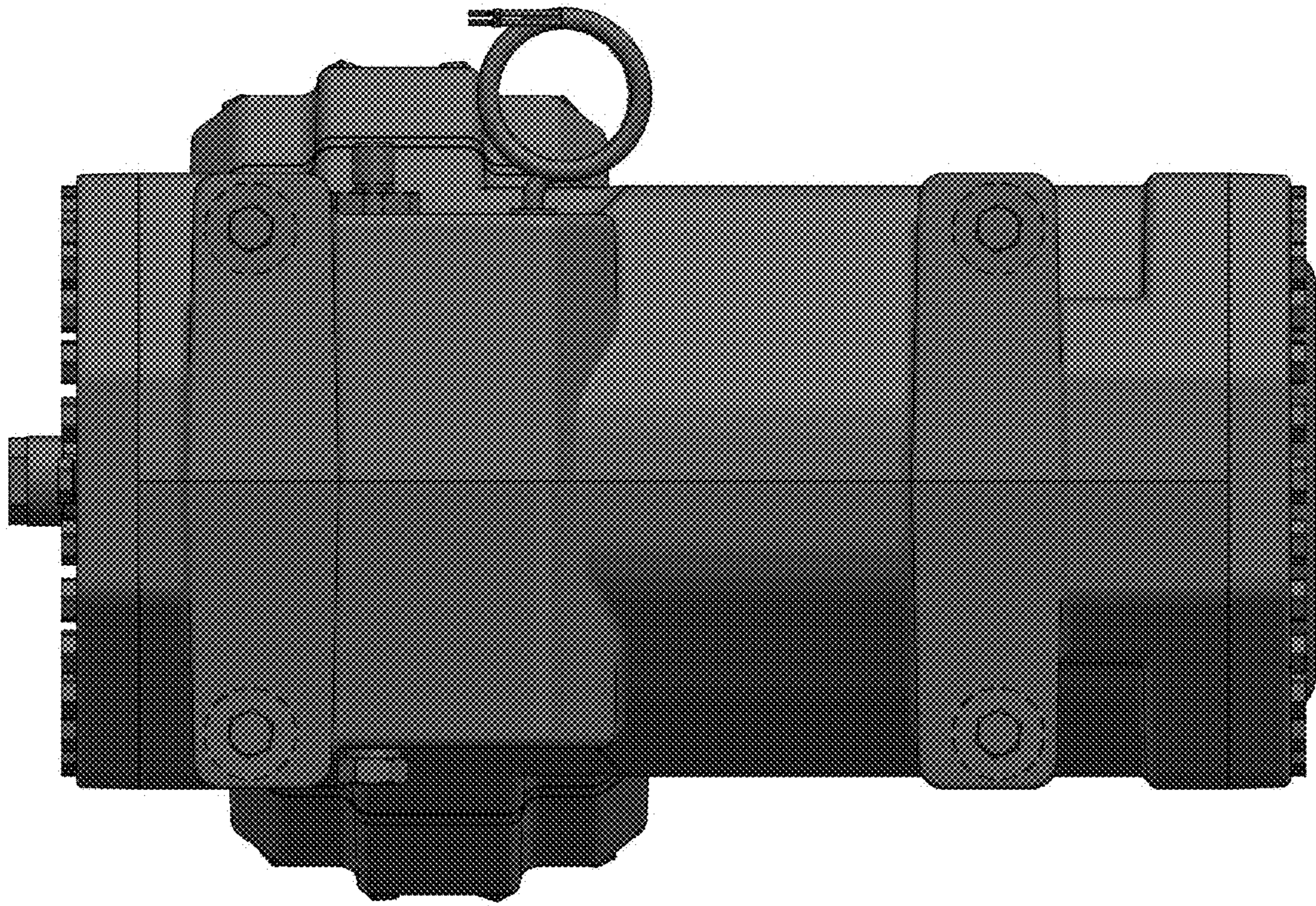


FIG 26

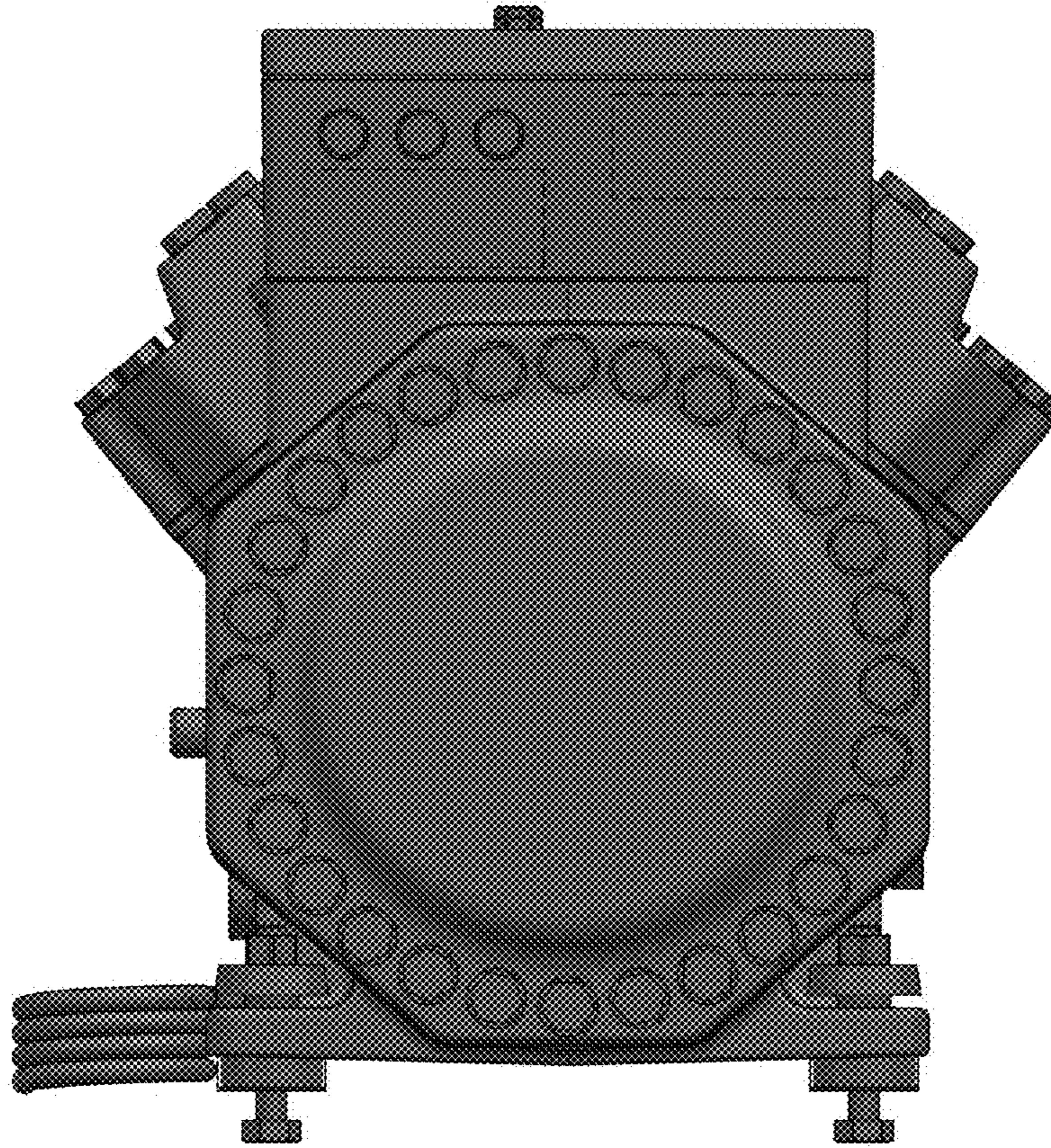


FIG 27

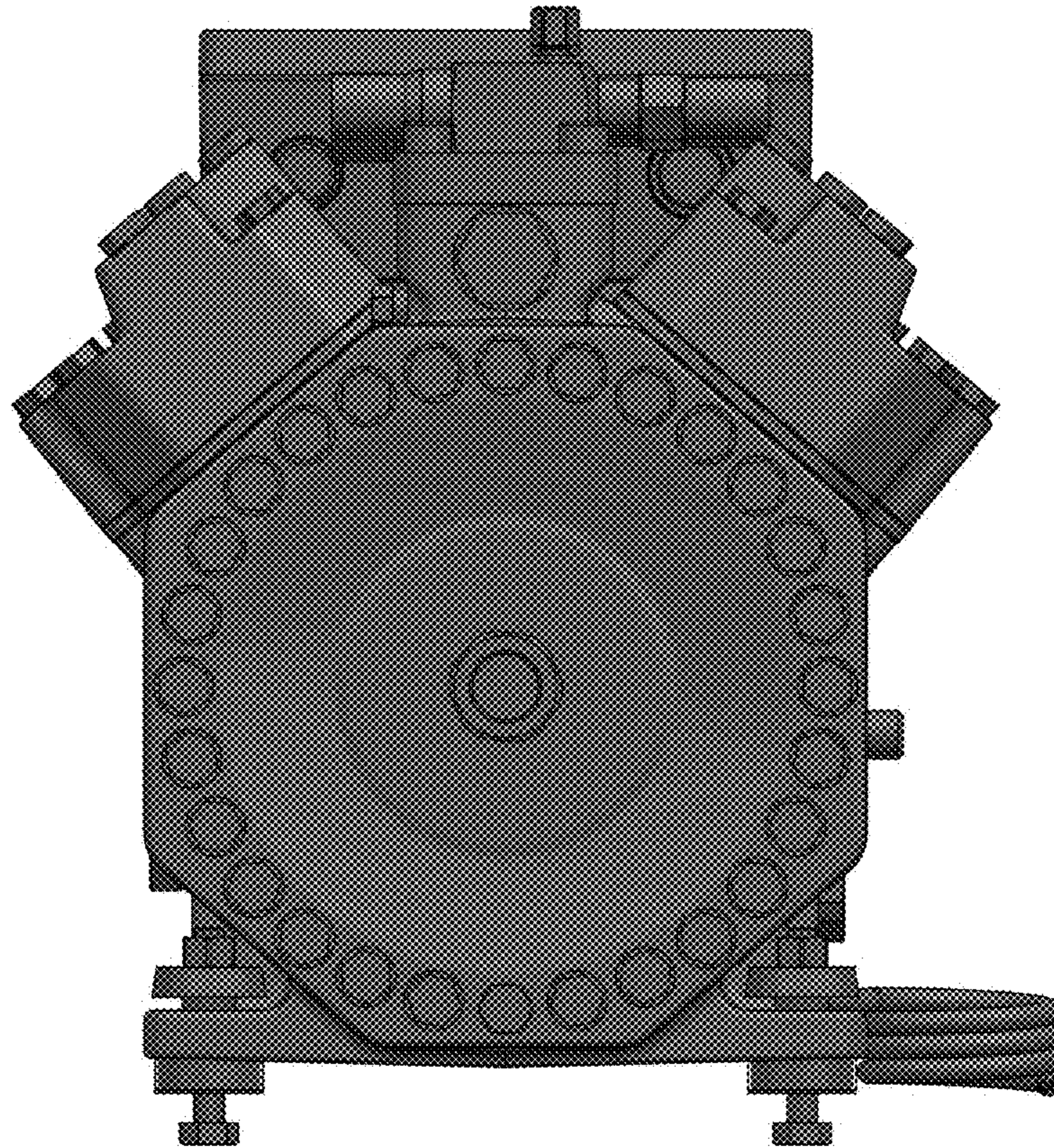


FIG 28

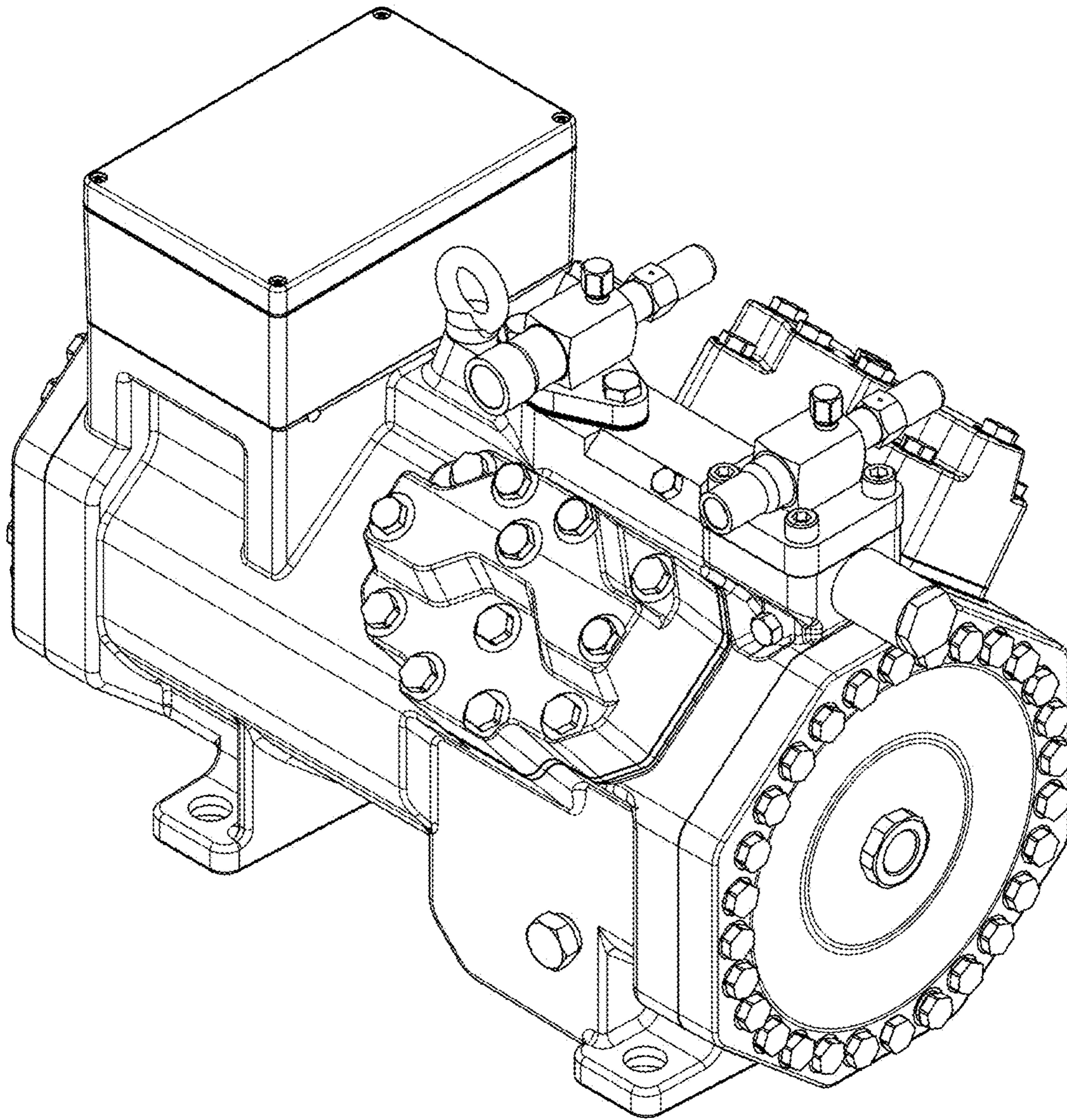


FIG 29

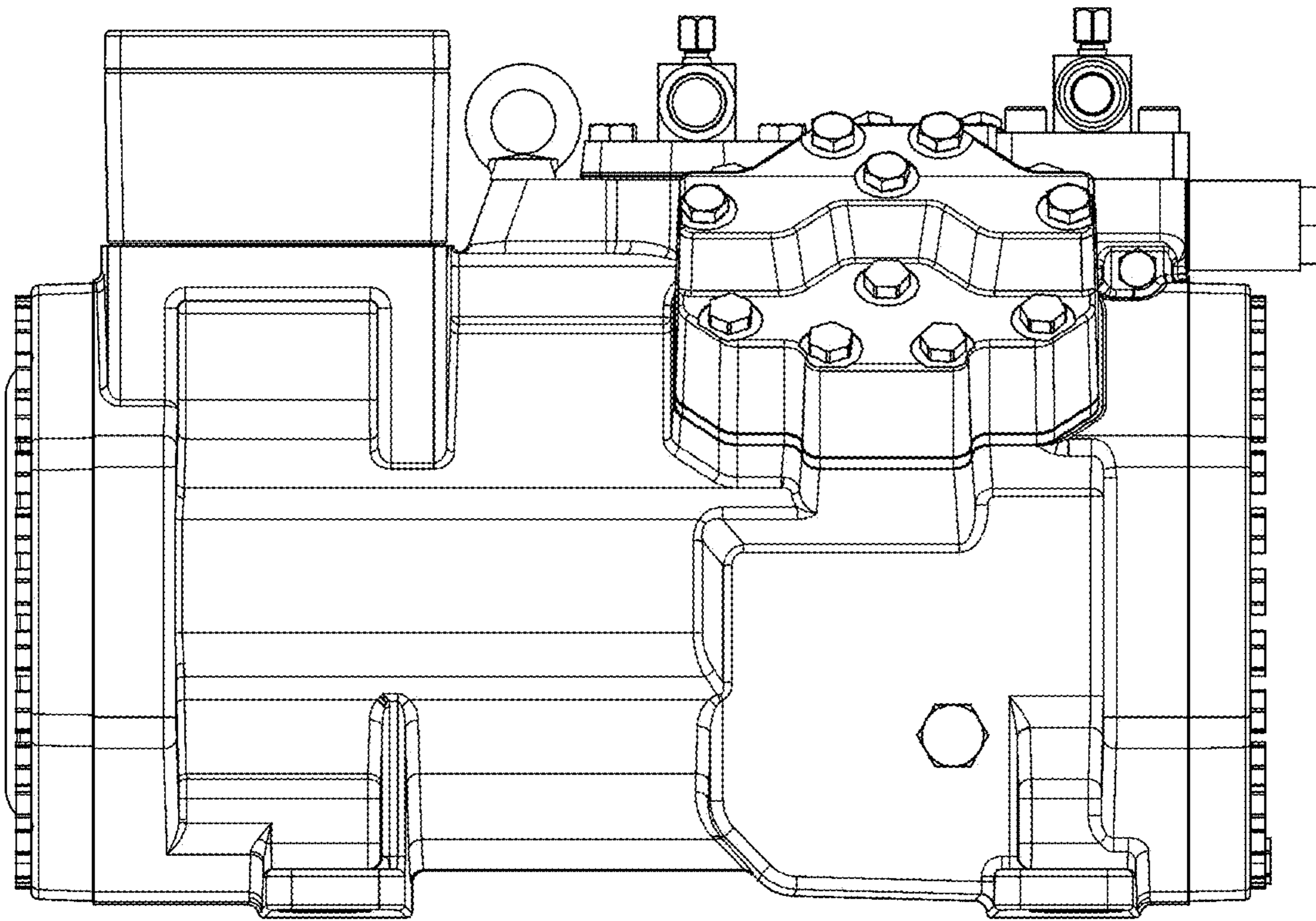


FIG 30

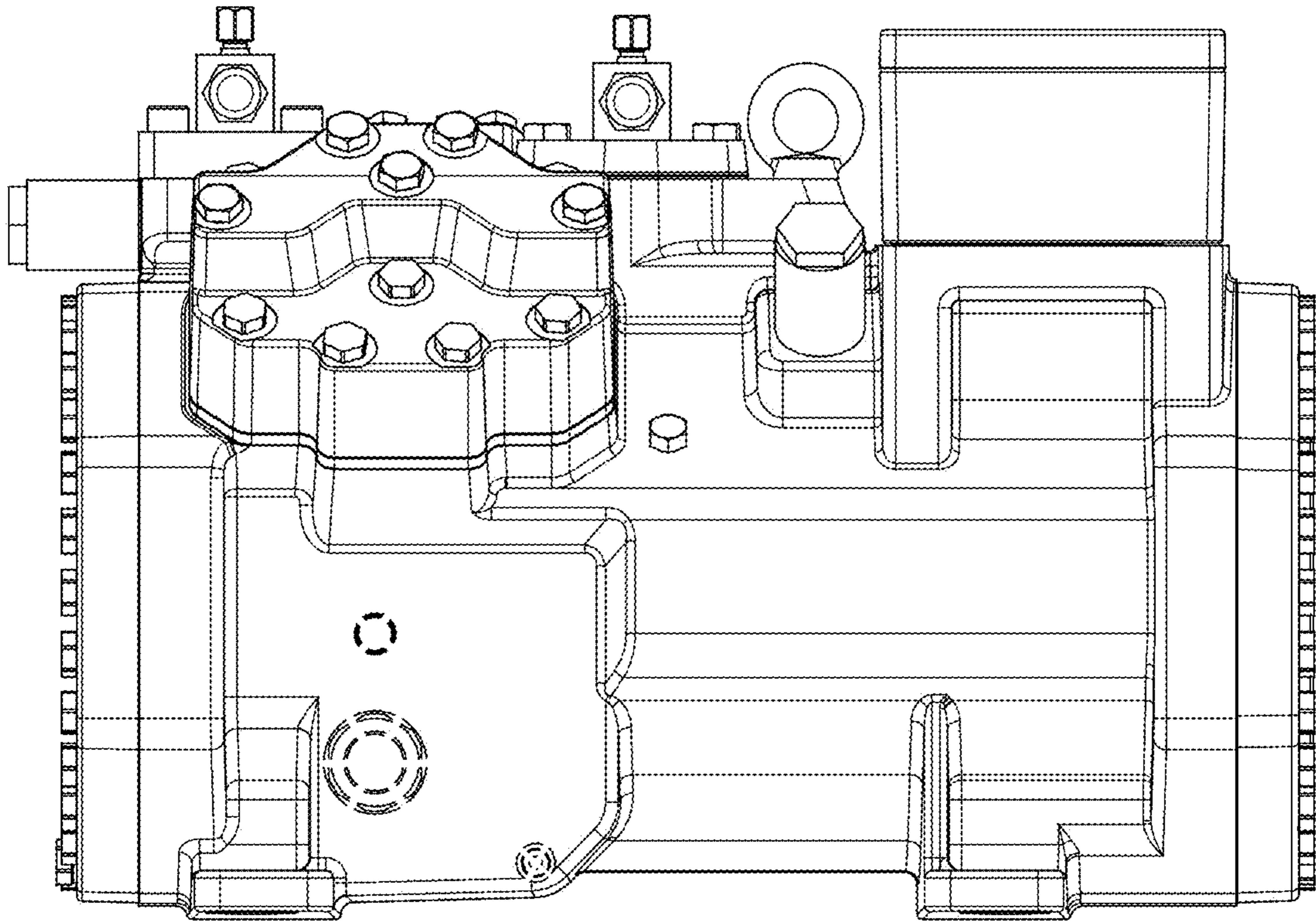


FIG 31

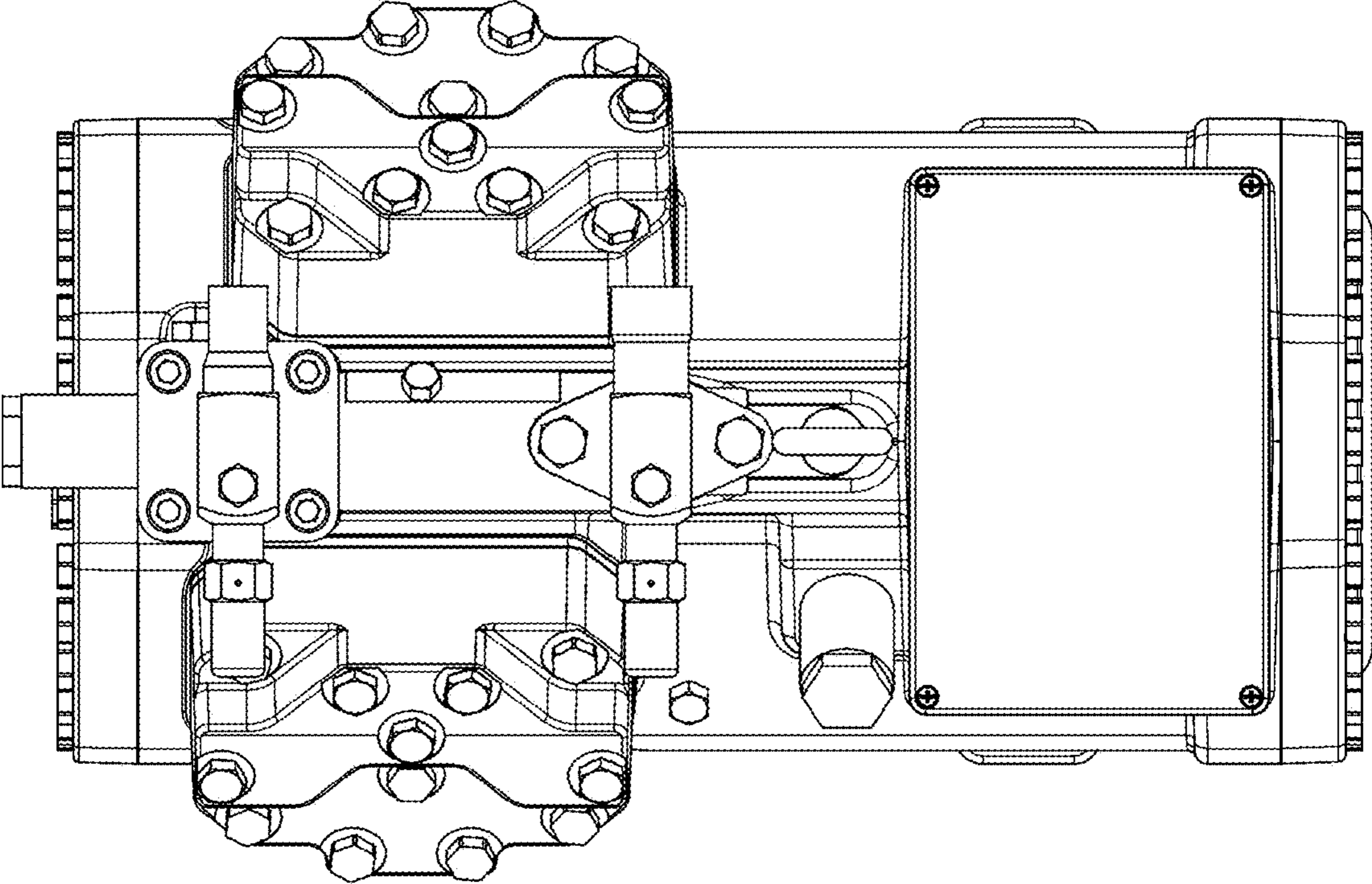


FIG 32

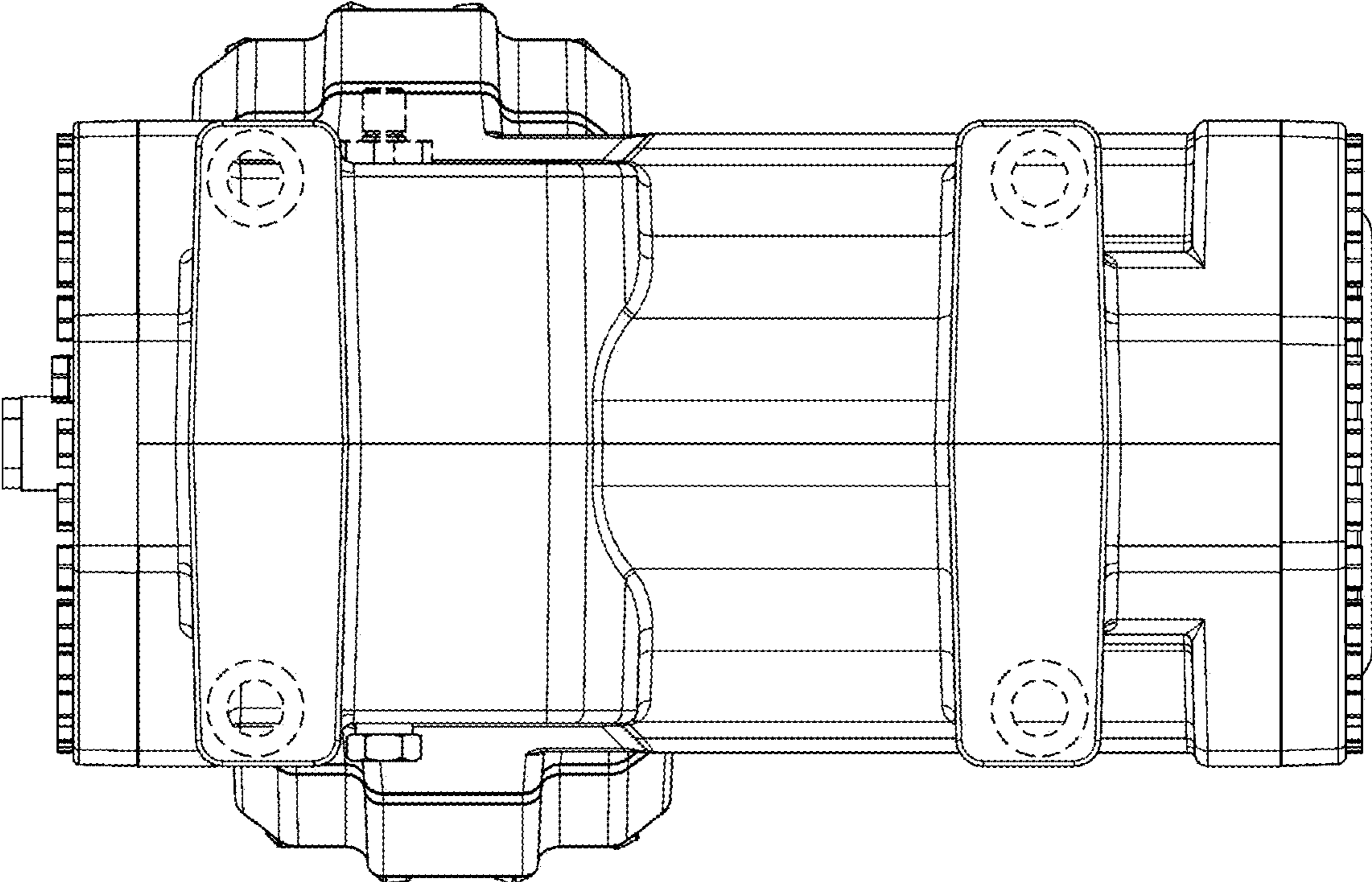


FIG 33

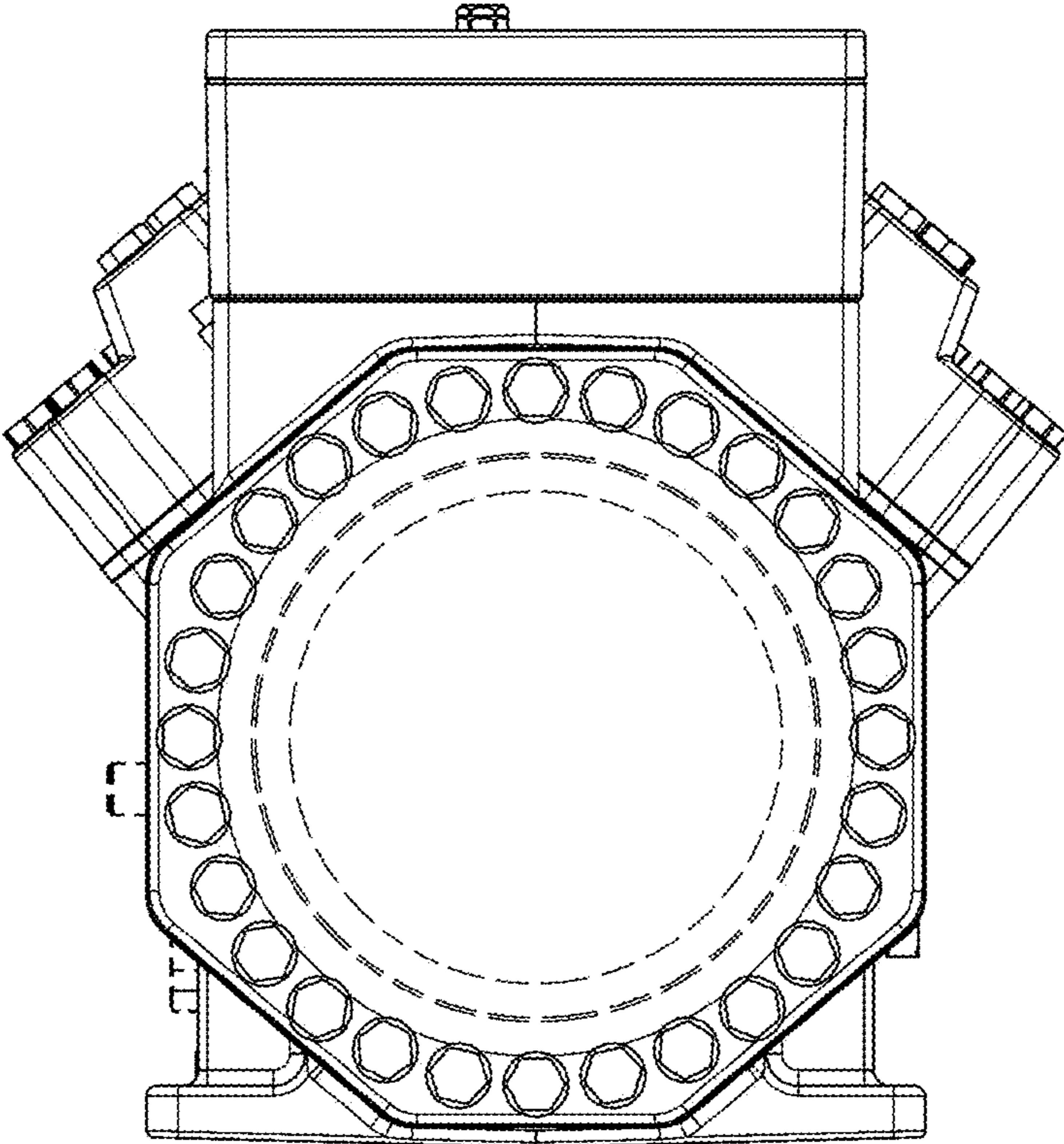


FIG 34

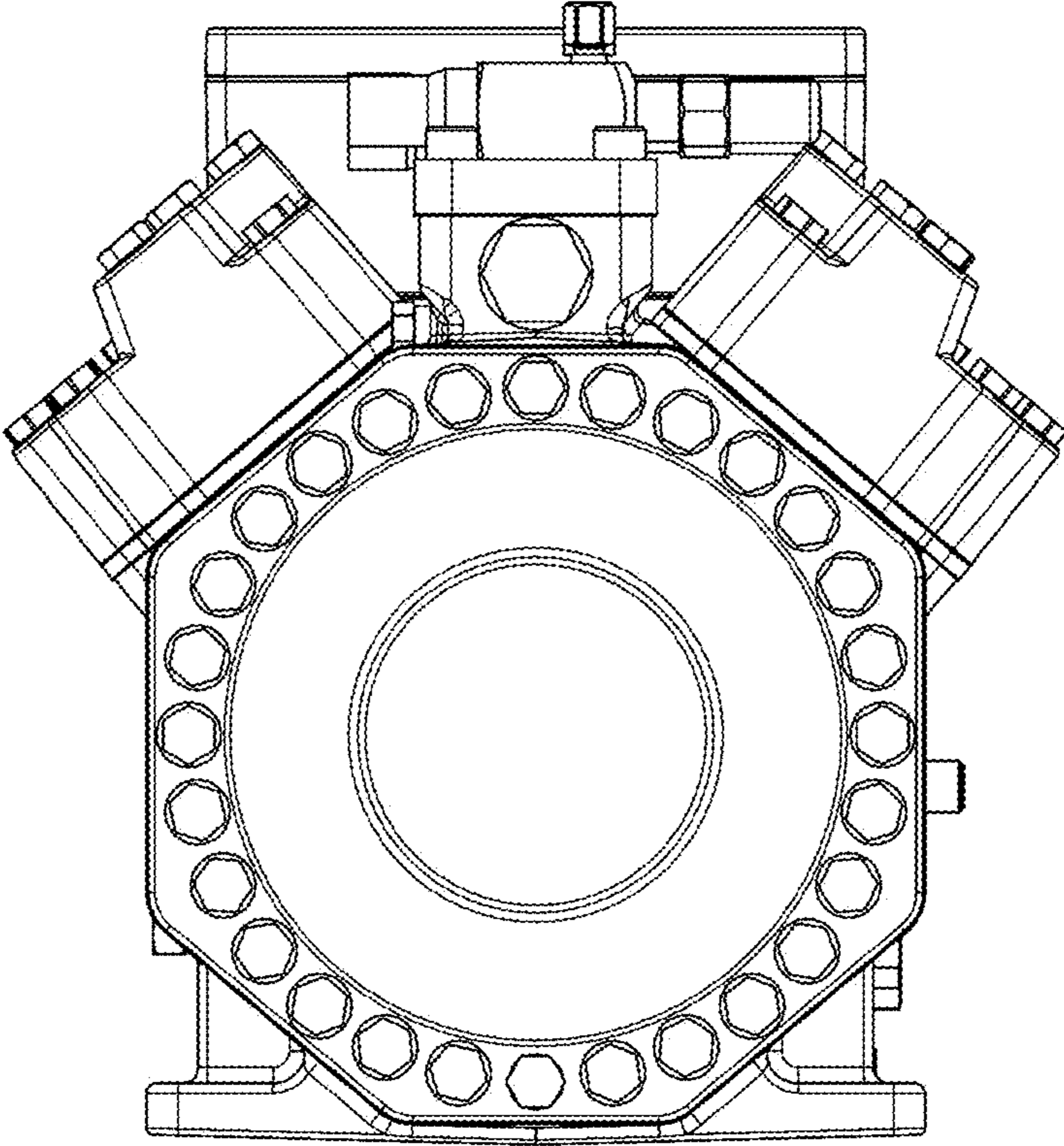


FIG 35