



US00D892170S

(12) **United States Design Patent**
Benedetti et al.

(10) **Patent No.:** **US D892,170 S**
(45) **Date of Patent:** **** Aug. 4, 2020**

(54) **HOUSING FOR A KARAOKE DEVICE**
(71) Applicant: **VOXX International Corporation**,
Hauppauge, NY (US)
(72) Inventors: **David Anthony Benedetti**, Carmel, IN
(US); **Ian S. Geise**, Carmel, IN (US);
John Anthony Andrews, Indianapolis,
IN (US)

6,328,570 B1 * 12/2001 Ng G09B 5/065
434/307 A
D461,469 S * 8/2002 Wang D14/497
6,774,297 B1 * 8/2004 Lee G10H 1/0025
84/602
D577,038 S * 9/2008 Nakamura D14/496
D591,720 S * 5/2009 Motoishi D14/168
D631,062 S * 1/2011 Bennett D14/496
D730,942 S * 6/2015 Wong D14/203.1

* cited by examiner

(73) Assignee: **VOXX International Corporation**,
Hauppauge, NY (US)

Primary Examiner — Sandra L Morris

(**) Term: **15 Years**

(74) *Attorney, Agent, or Firm* — Bodner & O'Rourke,
LLP; Gerald T. Bodner; Christian P. Bodner

(21) Appl. No.: **29/658,519**

(57) **CLAIM**

(22) Filed: **Jul. 31, 2018**

The ornamental design of a housing for a karaoke device,
substantially as shown and described.

(51) **LOC (12) Cl.** **14-03**

(52) **U.S. Cl.**
USPC **D14/497**

DESCRIPTION

(58) **Field of Classification Search**

USPC D14/496–511, 168–172, 188–196,
D14/203.1–203.8, 204, 207, 209.1–216,
D14/217, 299
CPC B60K 35/00; B60K 37/00; B60K 37/02;
B60K 37/06; B60R 11/02; G11B 17/02;
G11B 17/04

FIG. 1 is a top front perspective view of a housing for a
karaoke device showing our new design;
FIG. 2 is a bottom rear perspective view thereof;
FIG. 3 is a top plan view thereof;
FIG. 4 is a bottom plan view thereof;
FIG. 5 is a right elevational view thereof;
FIG. 6 is a left elevational view thereof;
FIG. 7 is a front elevational view thereof; and,
FIG. 8 is a rear elevational view thereof.

See application file for complete search history.

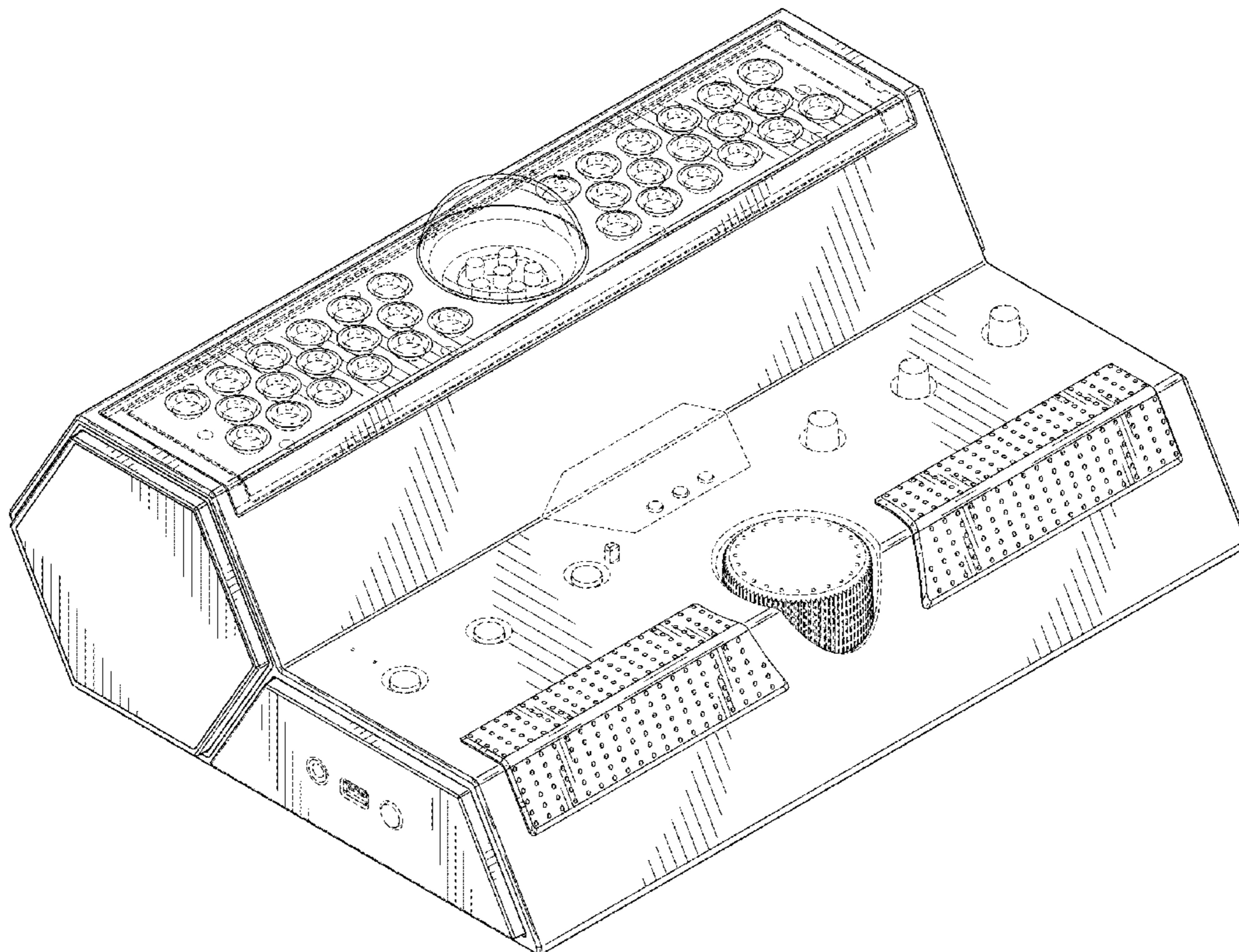
The broken lines and portions contained within are not
claimed.

(56) **References Cited**

U.S. PATENT DOCUMENTS

D366,041 S * 1/1996 Tatsumi D14/497
D429,684 S * 8/2000 Johnson D12/415

1 Claim, 8 Drawing Sheets



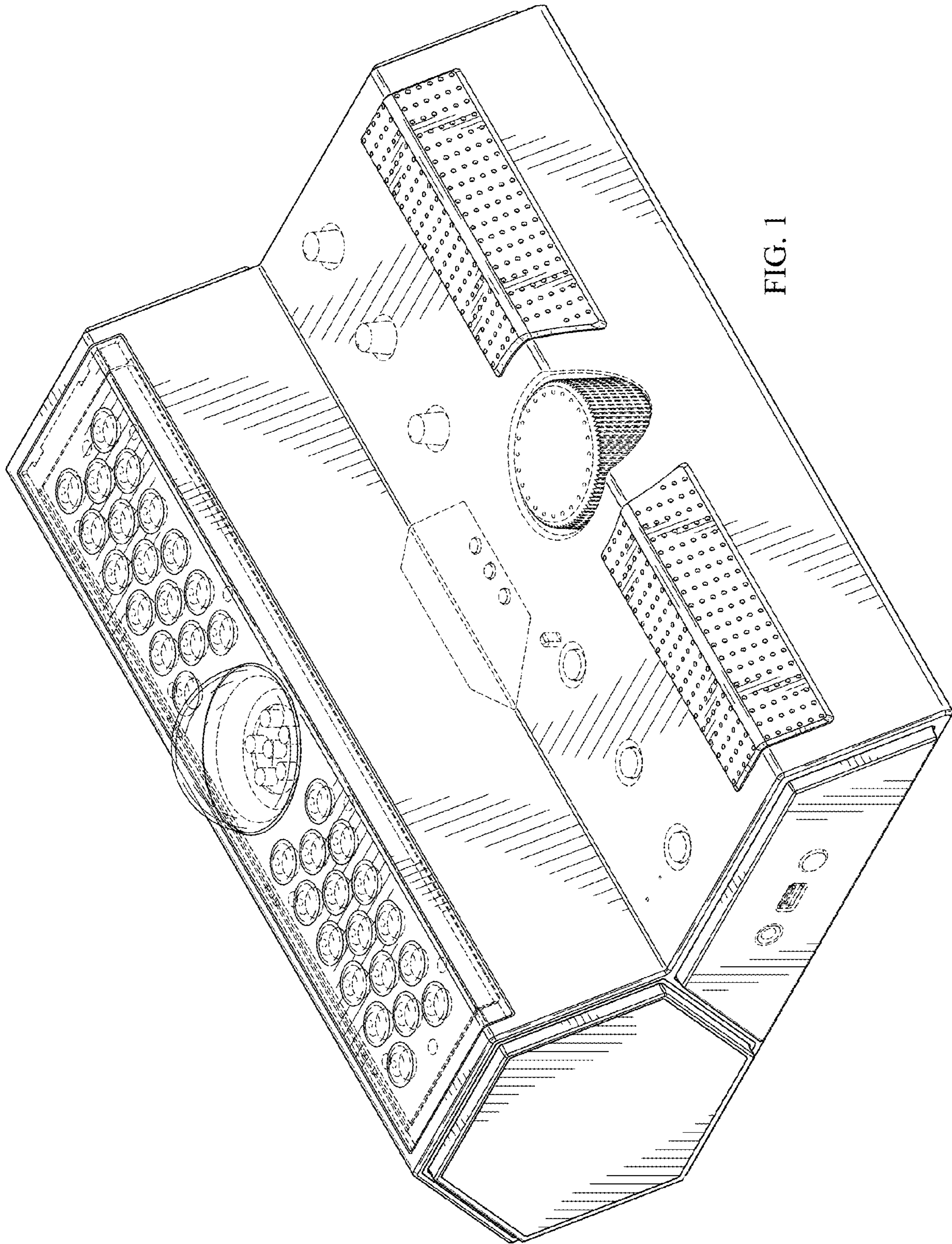


FIG. 1

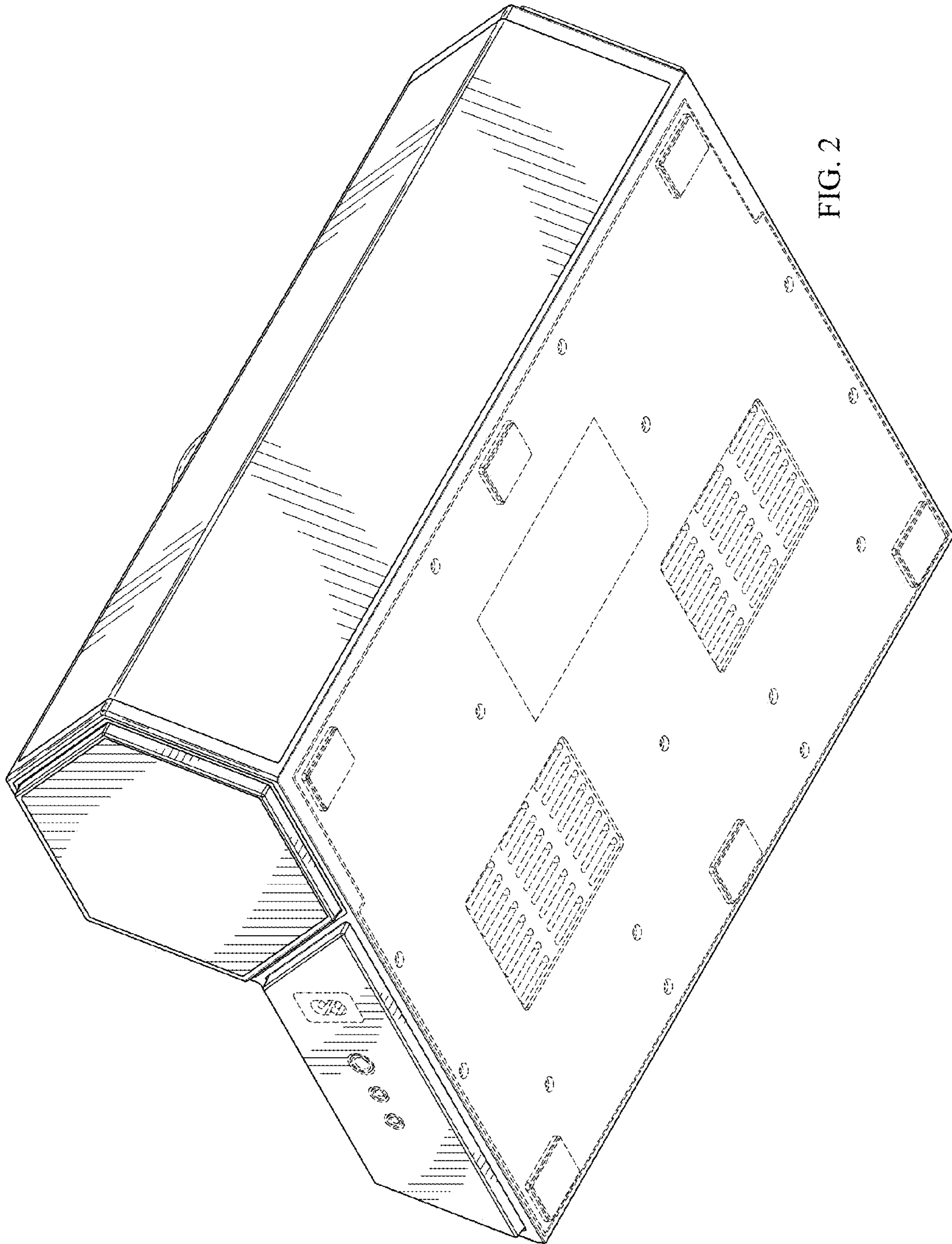


FIG. 2

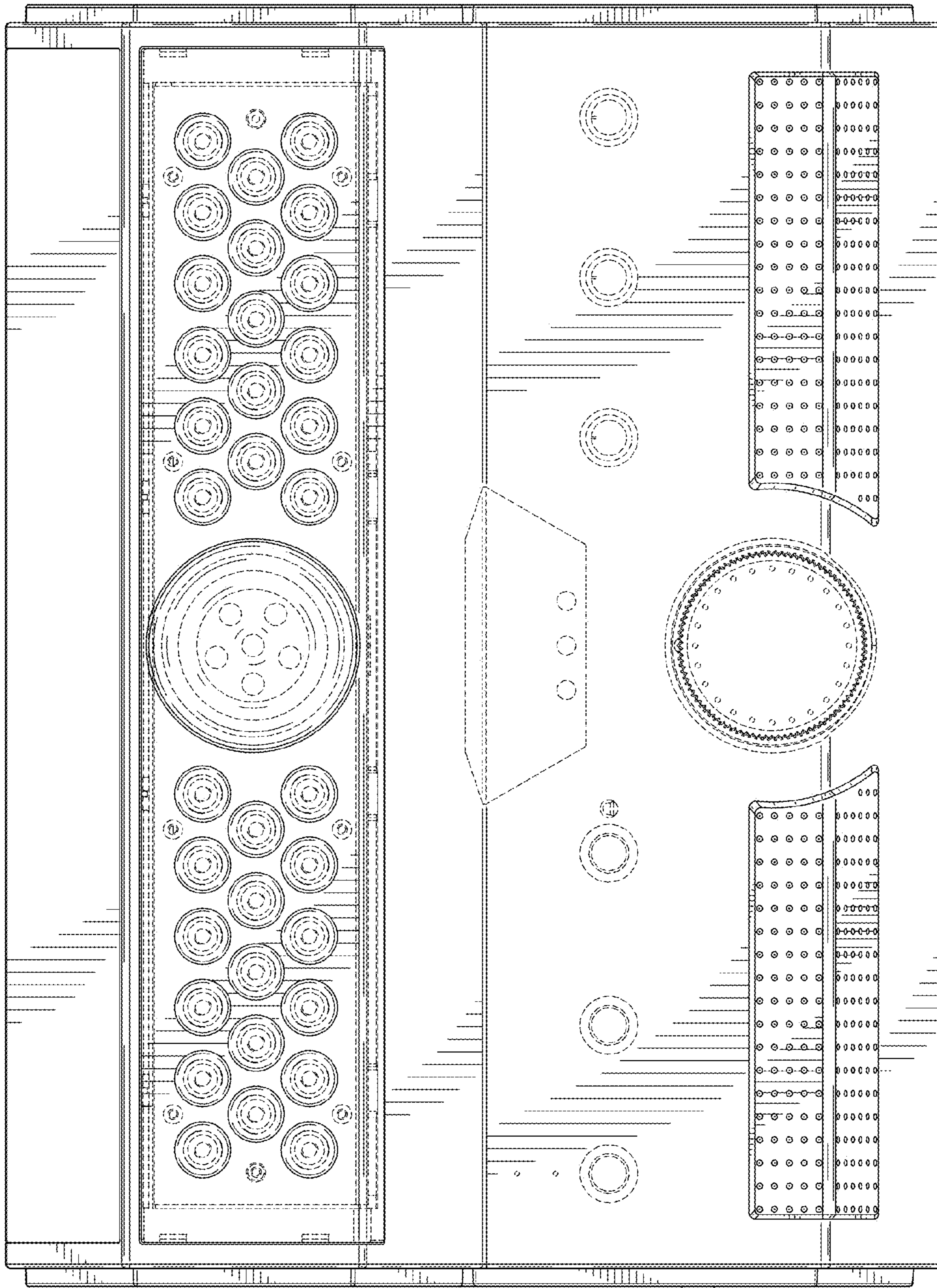


FIG. 3

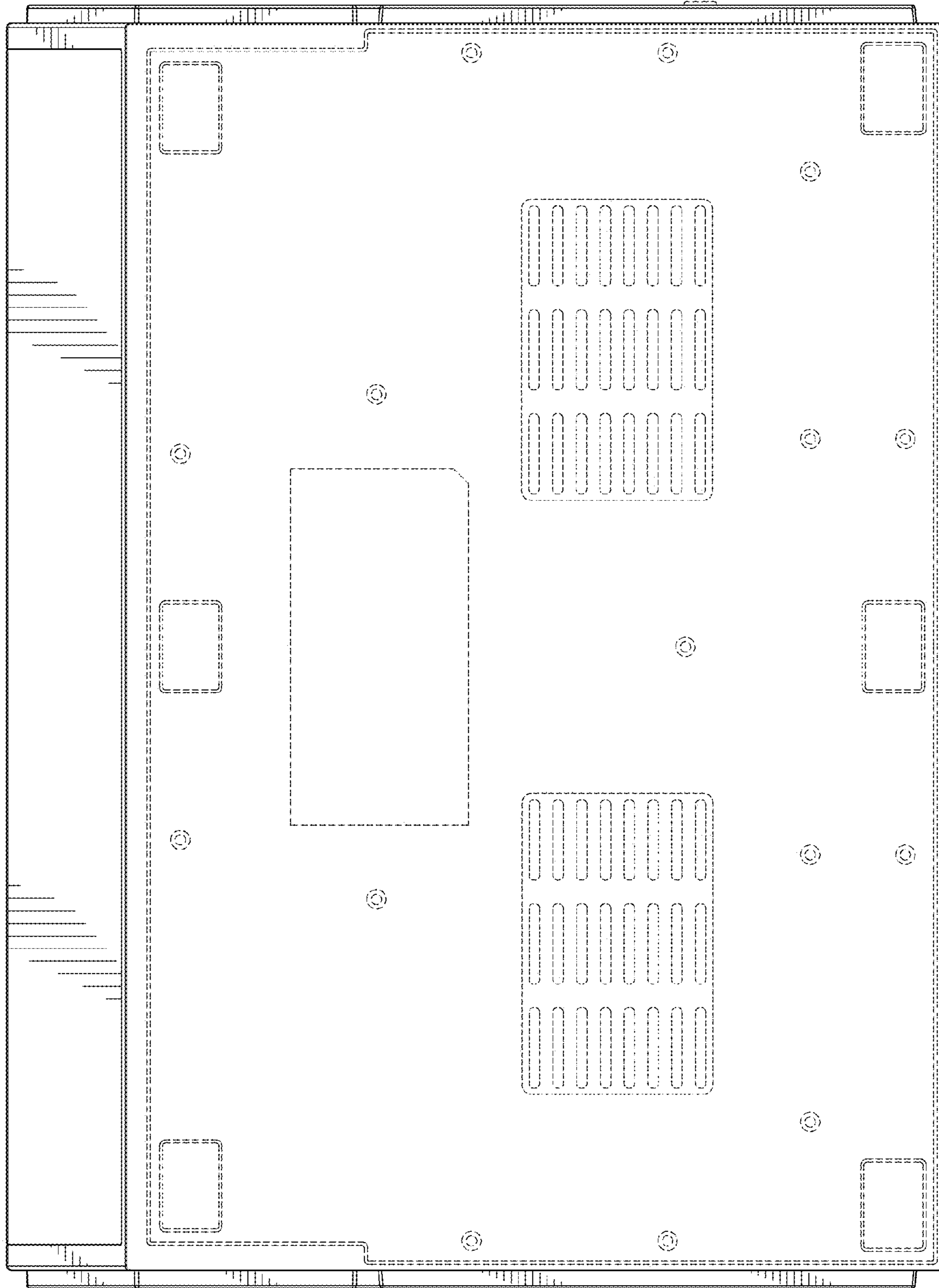


FIG. 4

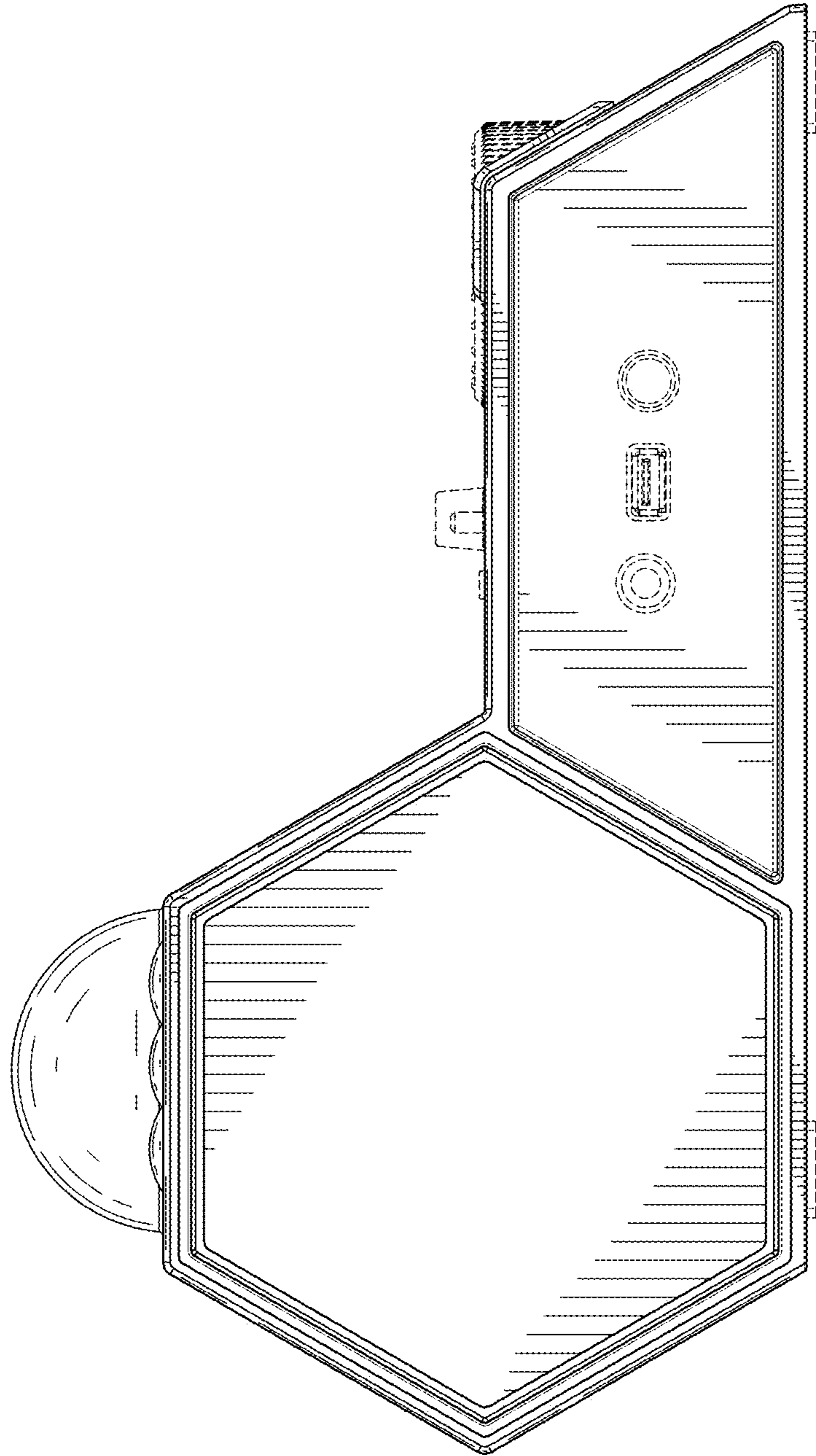


FIG. 5

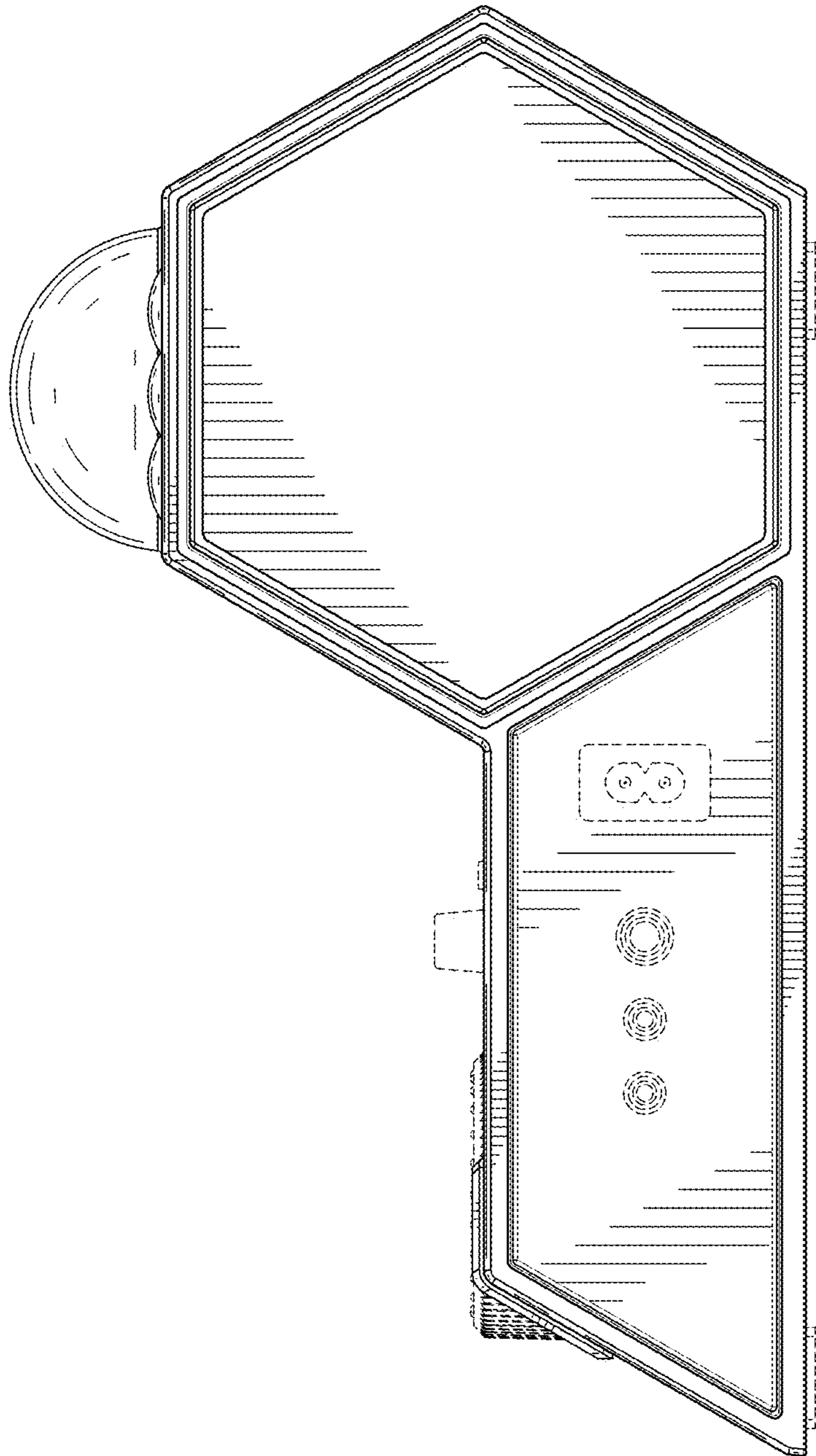


FIG. 6

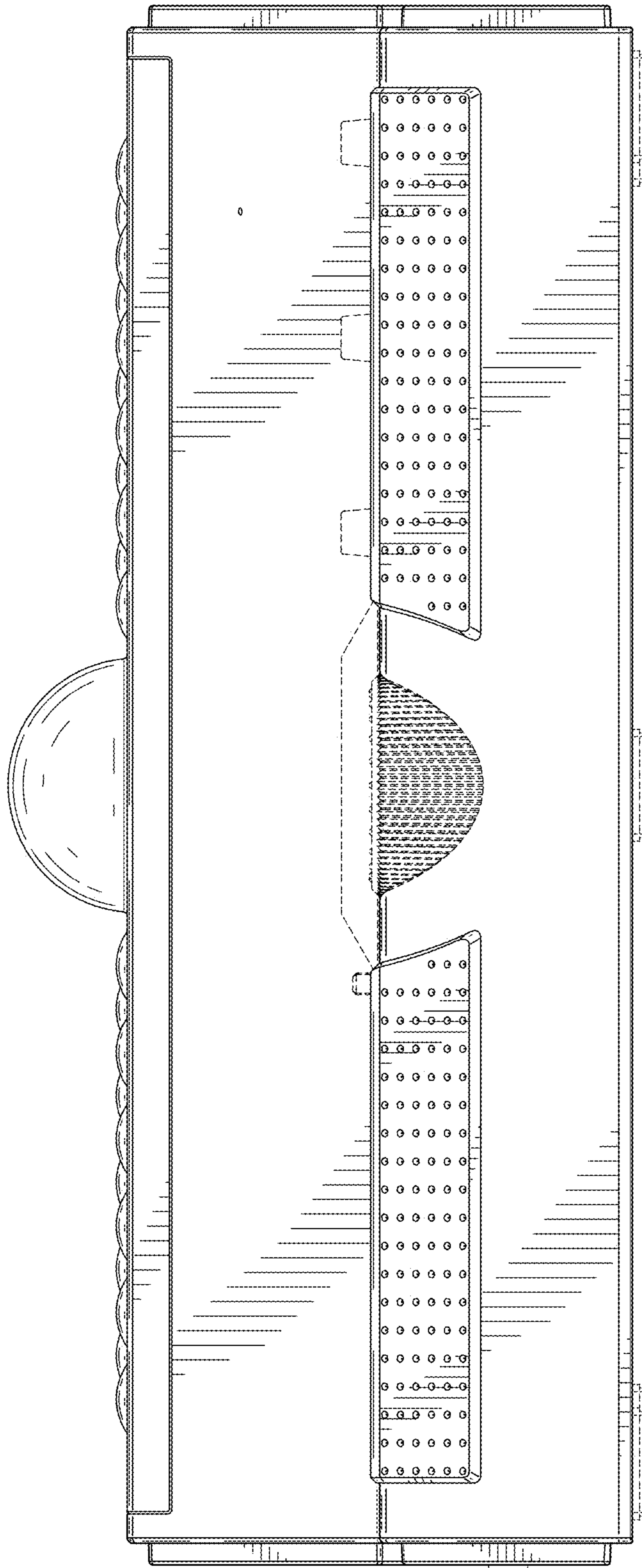


FIG. 7

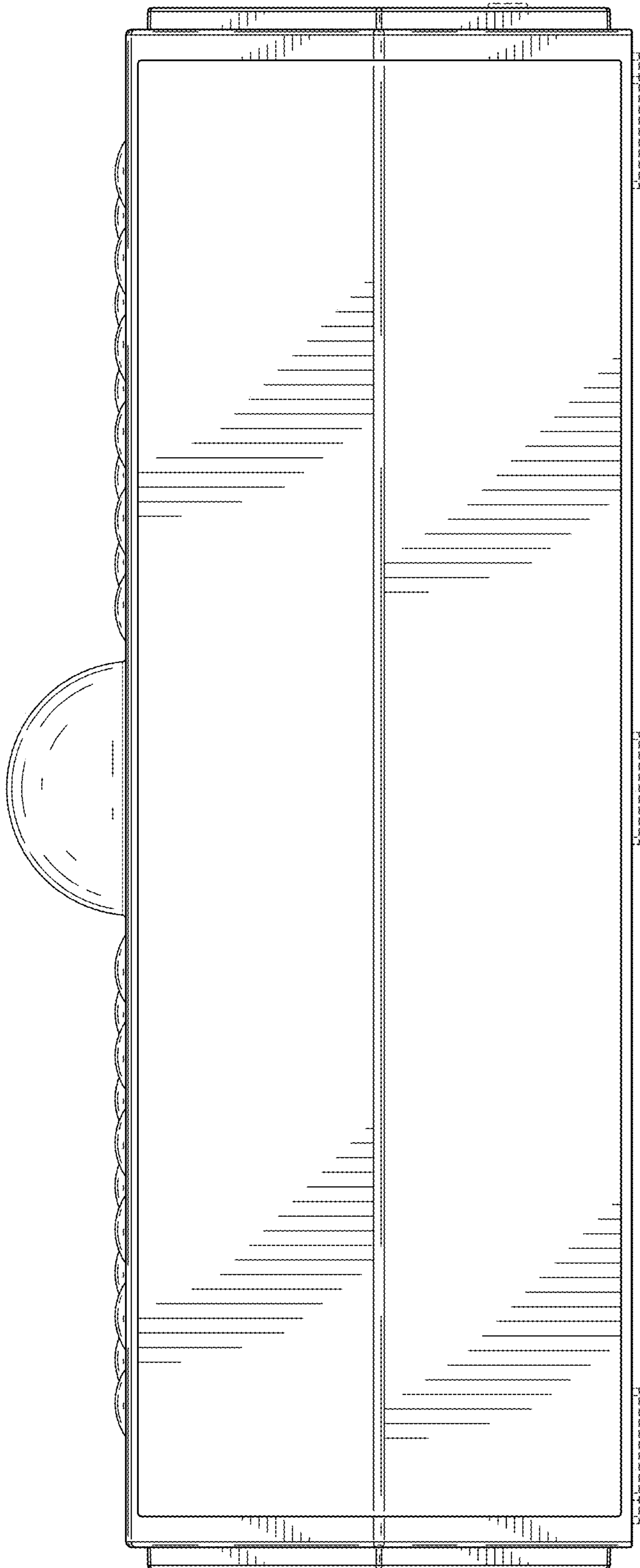


FIG. 8