

US00D892169S

(12) **United States Design Patent** (10) **Patent No.:** **US D892,169 S**
Benedetti et al. (45) **Date of Patent:** **** Aug. 4, 2020**

- (54) **HOUSING FOR A KARAOKE DEVICE**
- (71) Applicant: **VOXX International Corporation**,
Hauppauge, NY (US)
- (72) Inventors: **David Anthony Benedetti**, Carmel, IN (US); **Ian S. Geise**, Carmel, IN (US); **John Anthony Andrews**, Indianapolis, IN (US)
- (73) Assignee: **VOXX International Corporation**,
Hauppauge, NY (US)
- (**) Term: **15 Years**
- (21) Appl. No.: **29/657,888**
- (22) Filed: **Jul. 26, 2018**
- (51) **LOC (12) Cl.** **14-03**
- (52) **U.S. Cl.**
USPC **D14/497**
- (58) **Field of Classification Search**
USPC D14/496–511, 168–172, 188–196,
D14/203.1–203.8, 204, 207, 209.1–216,
D14/217
CPC B60K 35/00; B60K 37/00; B60K 37/02;
B60K 37/06; B60R 11/02; G11B 17/02;
G11B 17/04
See application file for complete search history.

D577,357 S *	9/2008	Poandl	D14/216
D606,096 S *	12/2009	Bui	D14/496
D614,669 S *	4/2010	Strauser	D14/496
D614,670 S *	4/2010	Strauser	D14/496
D798,840 S *	10/2017	Tse	D14/216
D813,192 S *	3/2018	Zeng	D14/204
D822,004 S *	7/2018	Tan	D14/216
D823,894 S *	7/2018	Ullits	D14/496

* cited by examiner

Primary Examiner — Sandra L Morris
(74) *Attorney, Agent, or Firm* — Bodner & O'Rourke,
LLP; Gerald T. Bodner; Christian P. Bodner

(57) **CLAIM**

The ornamental design for a housing for a karaoke device, as shown and described.

DESCRIPTION

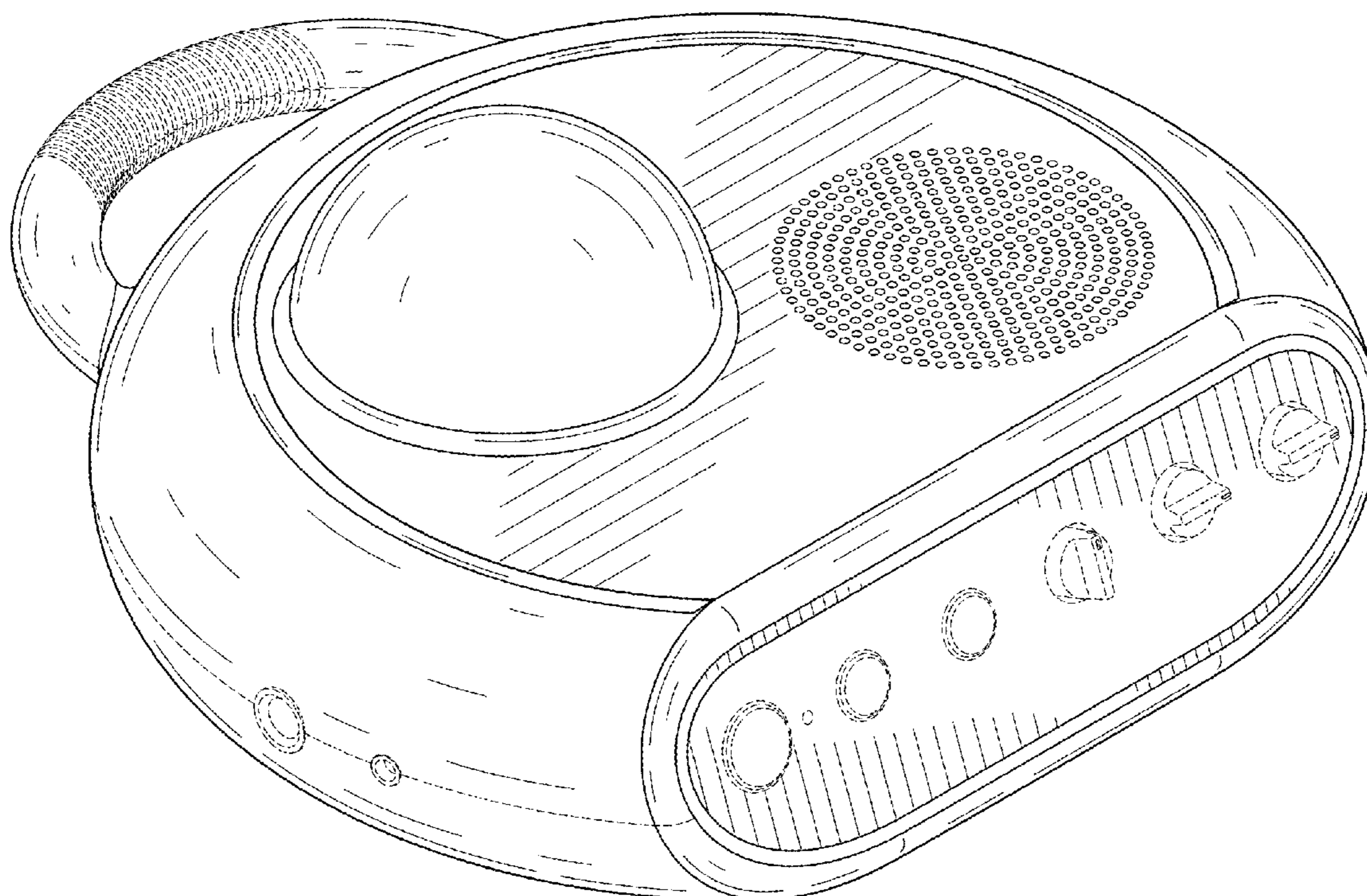
FIG. 1 is a top perspective view of a housing for a karaoke device showing our new design;
FIG. 2 is a bottom perspective view thereof;
FIG. 3 is a top plan view thereof;
FIG. 4 is a bottom plan view thereof;
FIG. 5 is a right elevational view thereof;
FIG. 6 is a left elevational view thereof;
FIG. 7 is a front elevational view thereof; and,
FIG. 8 is a rear elevational view thereof.
The broken lines and portions contained within are not claimed.

1 Claim, 6 Drawing Sheets

(56) **References Cited**

U.S. PATENT DOCUMENTS

D472,230 S *	3/2003	Chan	D14/196
D569,847 S *	5/2008	Miyawaki	D14/211



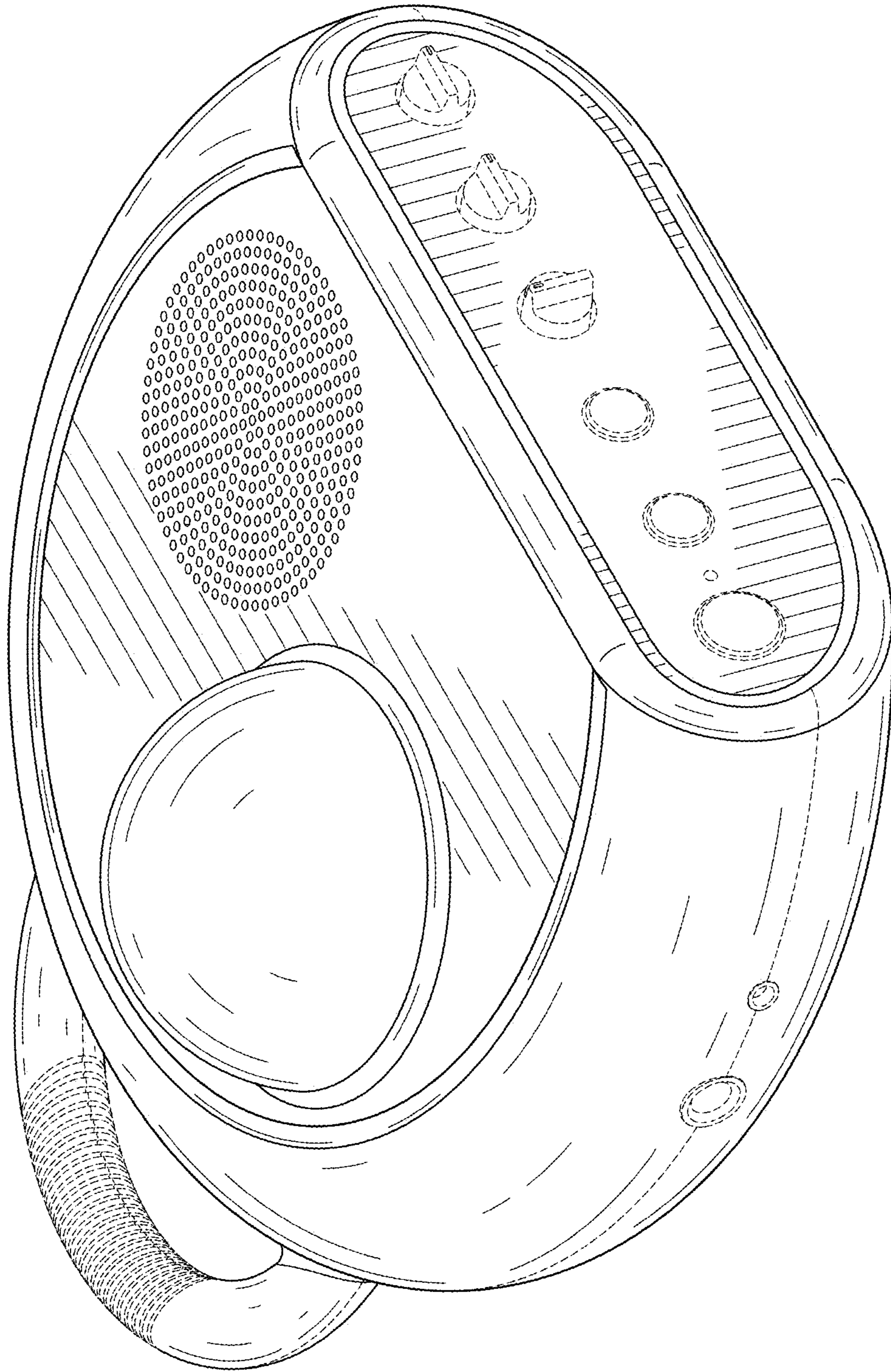


FIG. 1

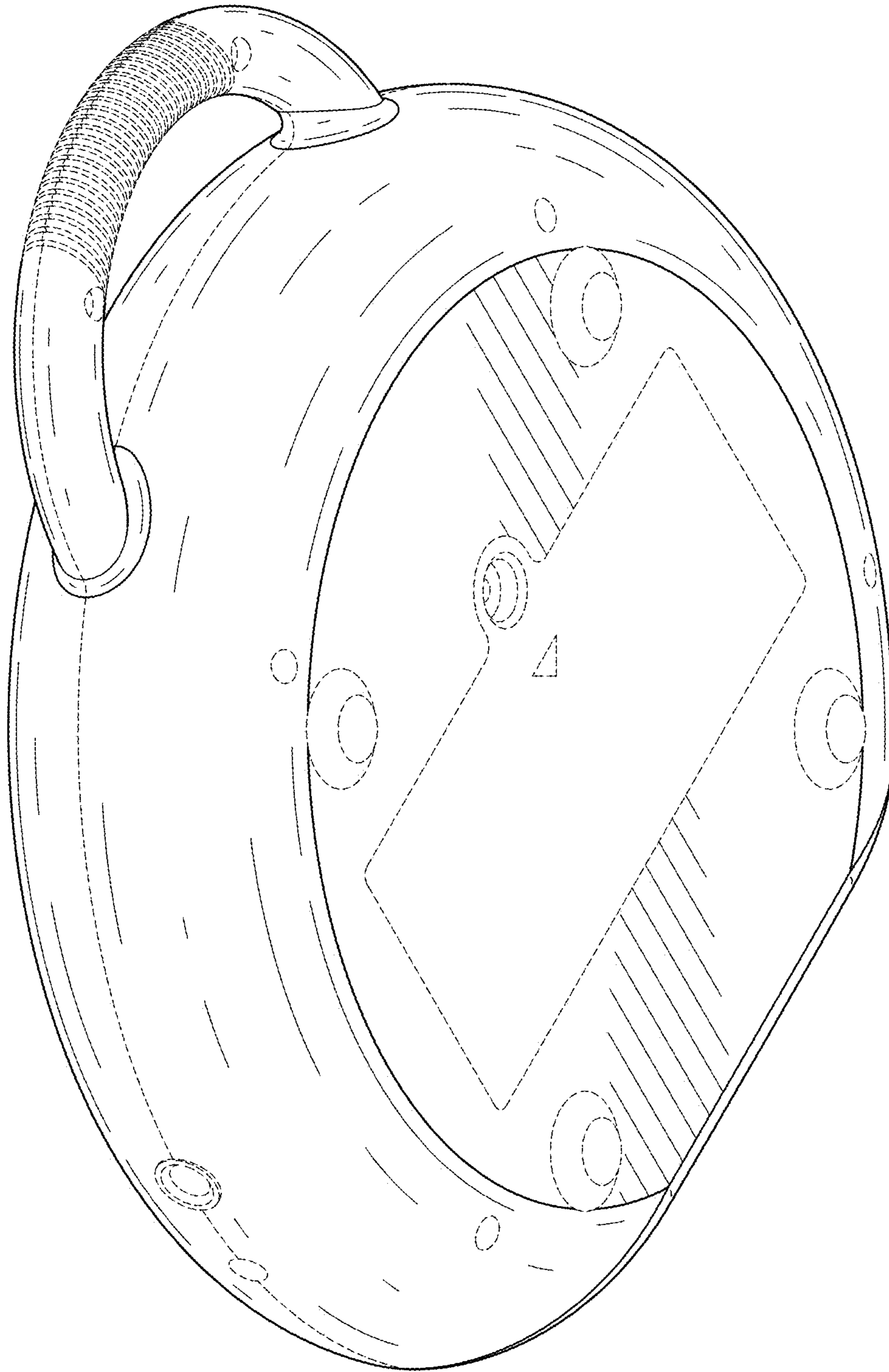


FIG. 2

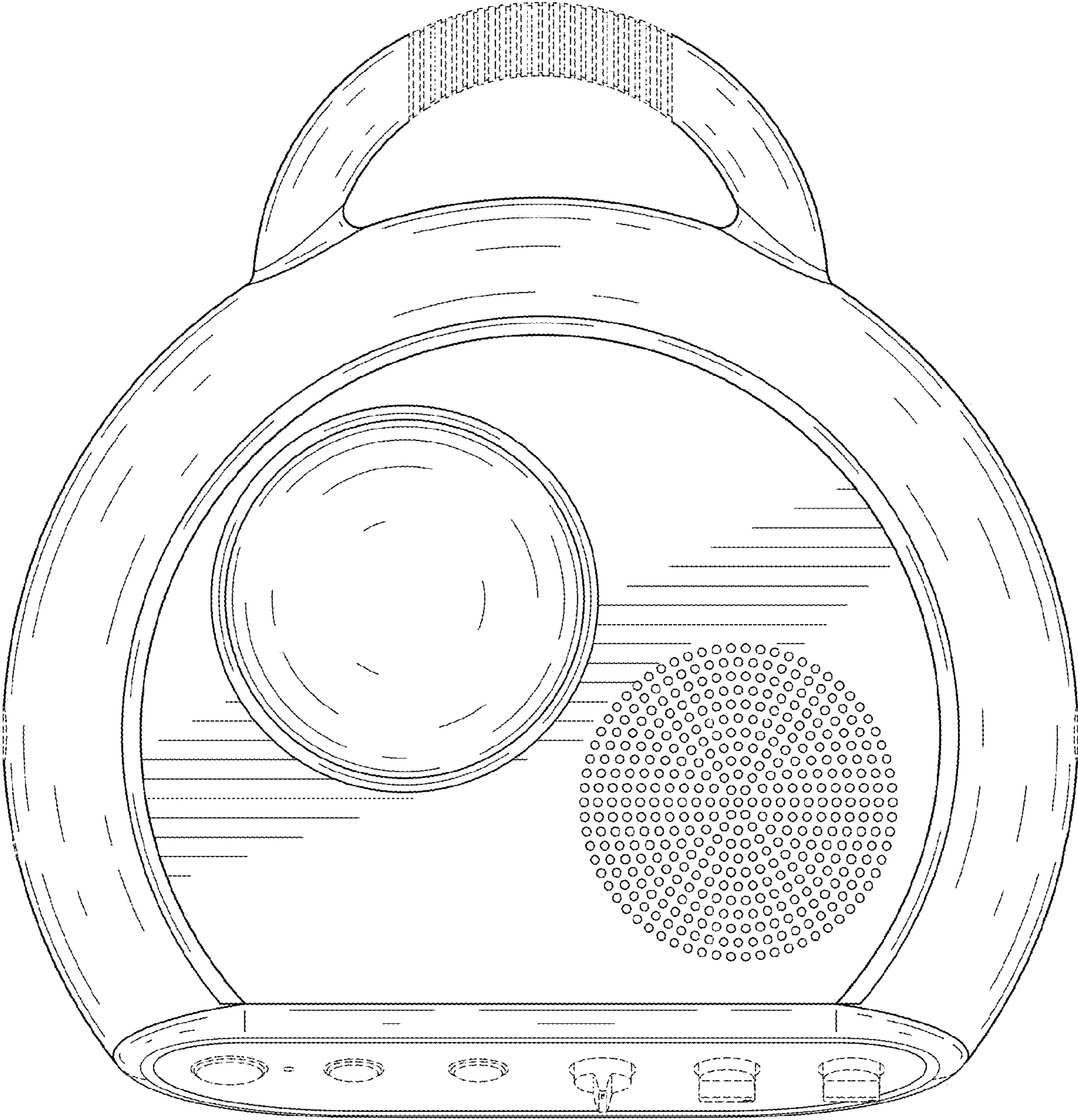


FIG. 3

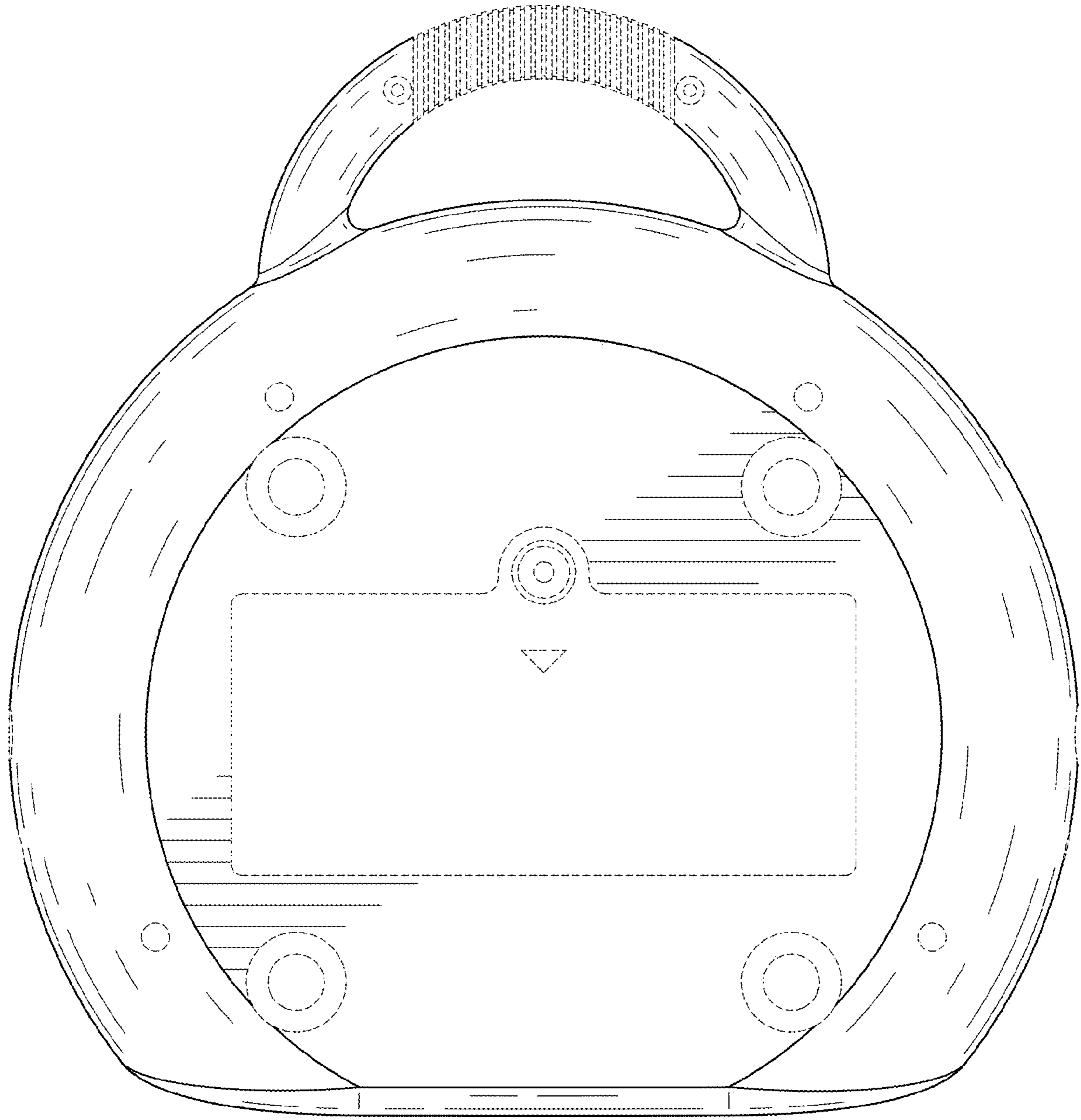


FIG. 4

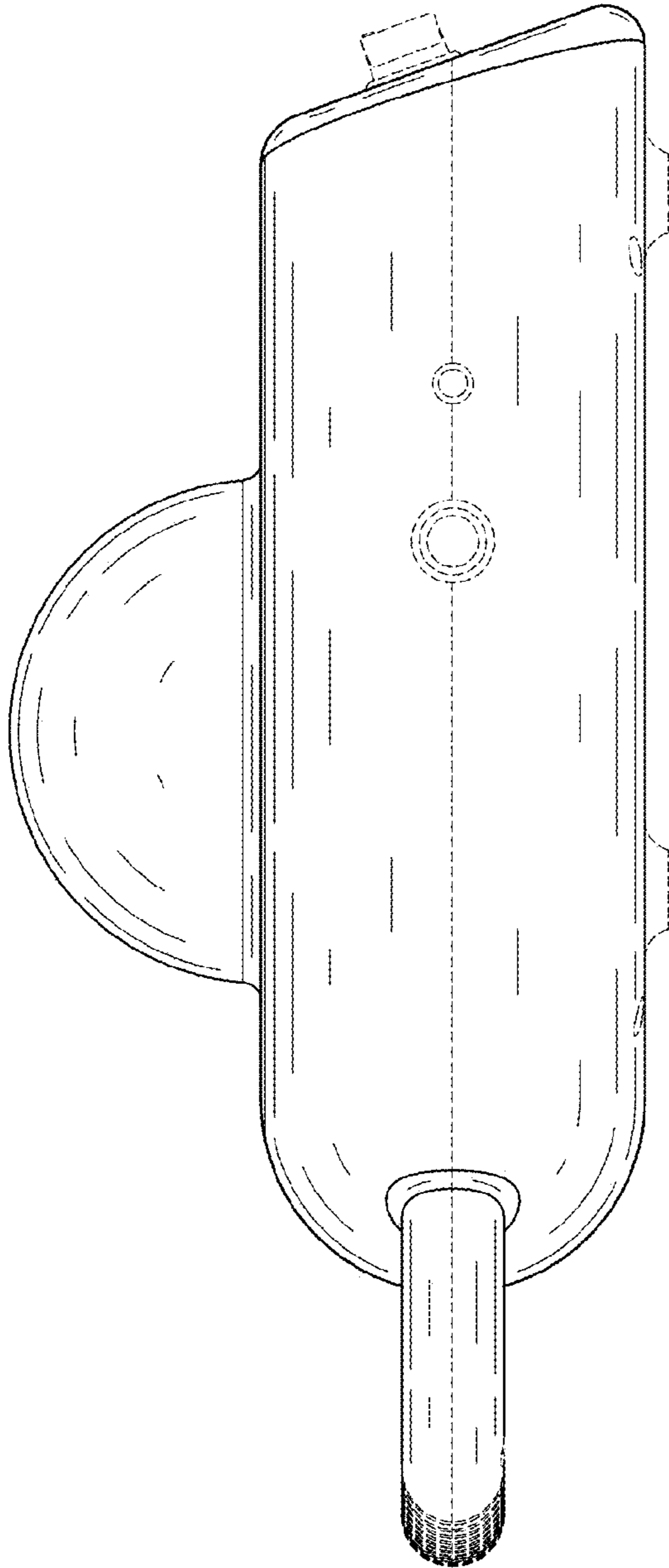


FIG. 5

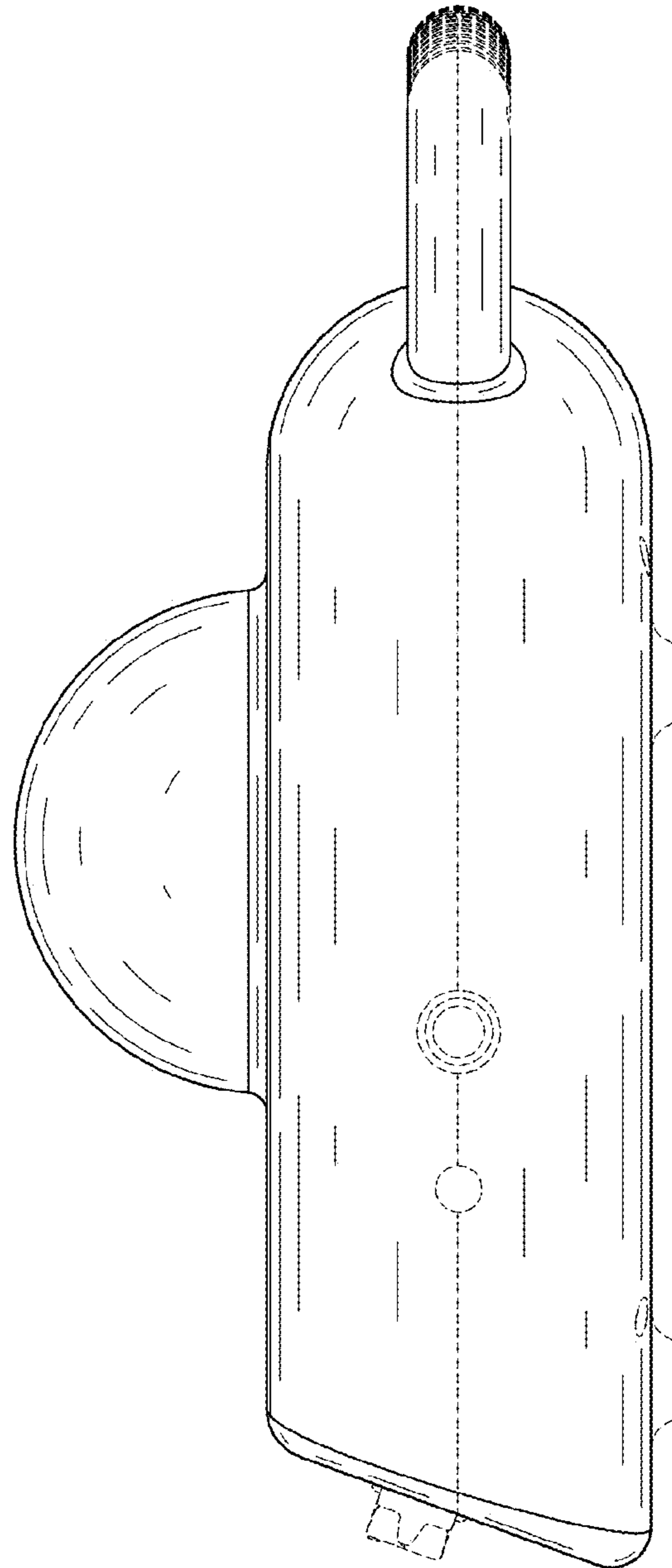


FIG. 6

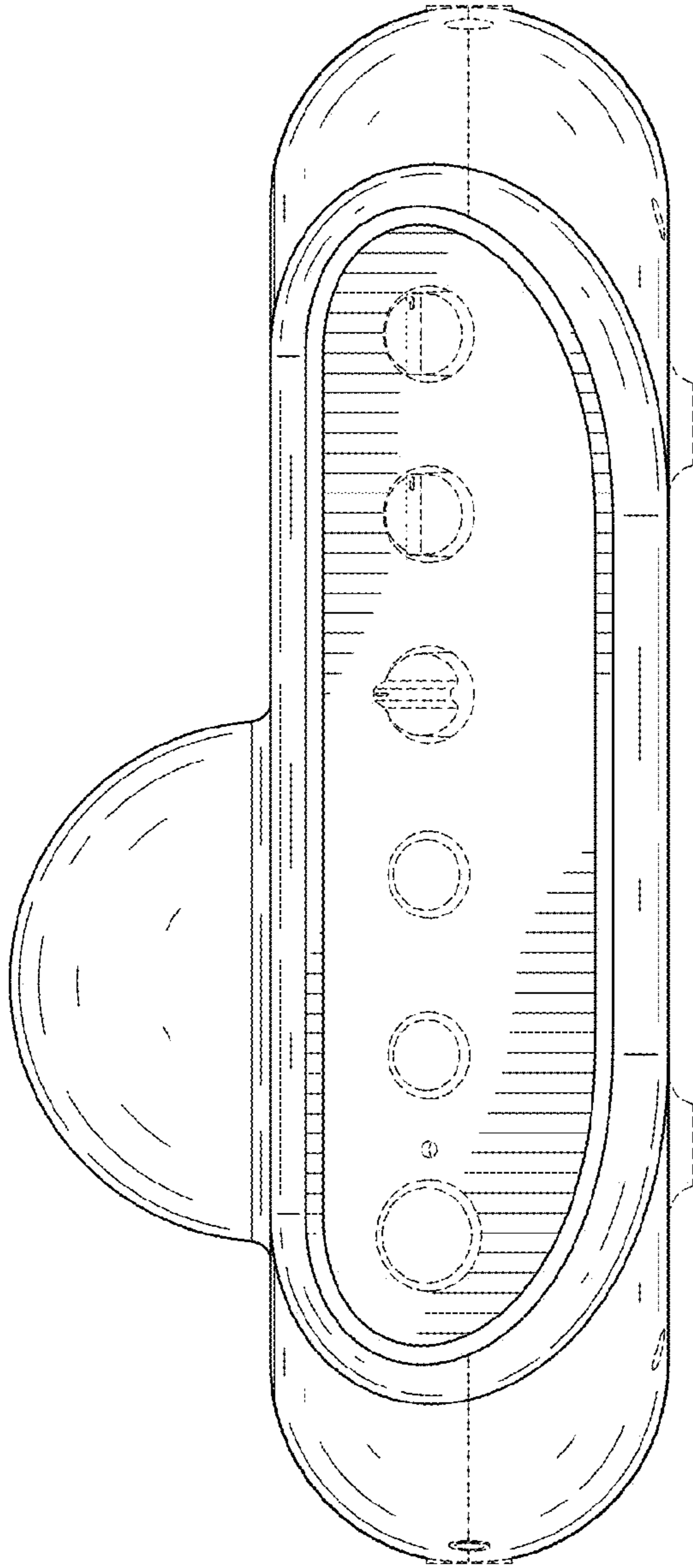


FIG. 7

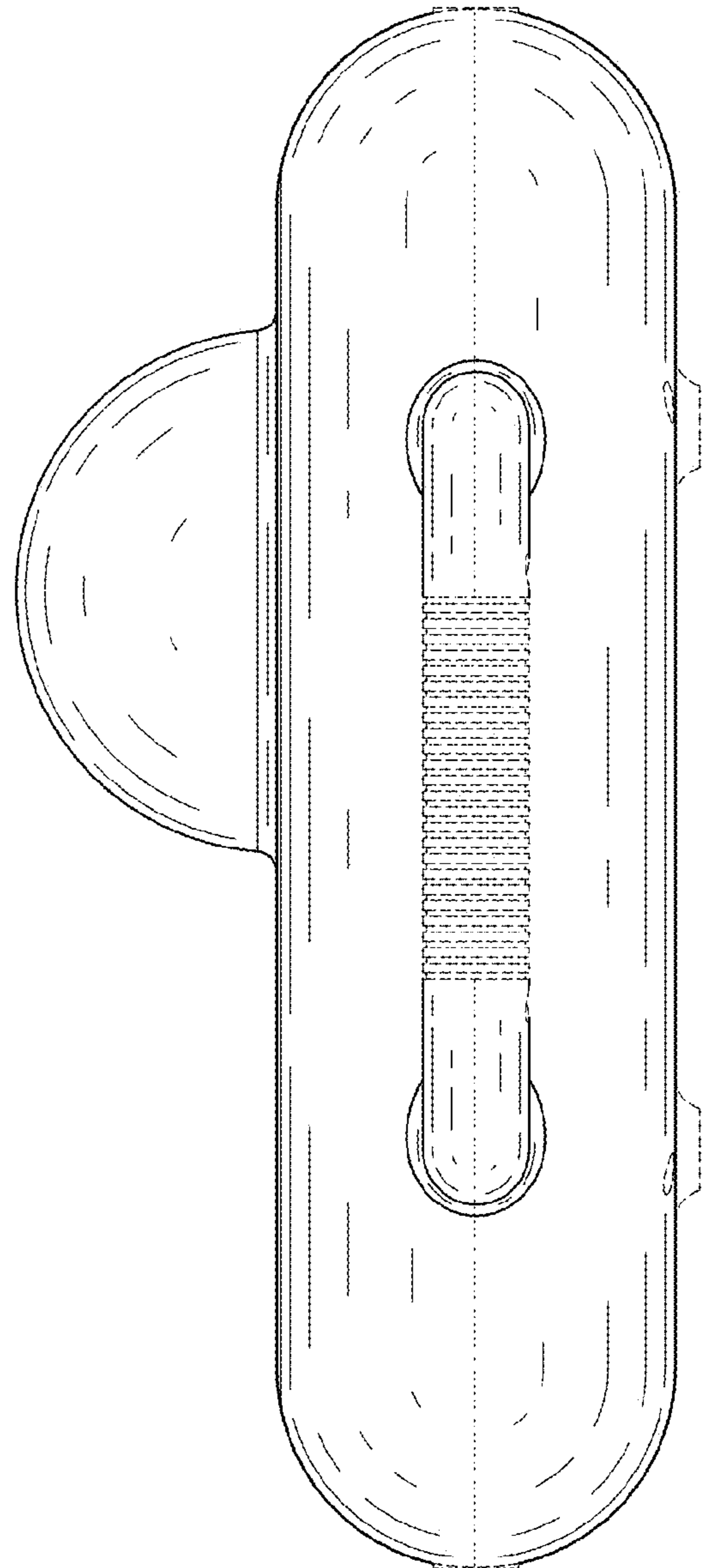


FIG. 8