

US00D892162S

(12) **United States Design Patent**
Pascoli et al.

(10) **Patent No.: US D892,162 S**
(45) **Date of Patent: ** Aug. 4, 2020**

(54) **DISPLAY SCREEN OR PORTION THEREOF WITH TRANSITIONAL GRAPHICAL USER INTERFACE**

(71) Applicant: **Samsung Electronics Co., Ltd.**, Suwon-si (KR)

(72) Inventors: **Giulio Americo Tolesano Pascoli**, Sunnyvale, CA (US); **Philip Park**, Mountain View, CA (US); **Nasson Jullian Schahin Boroumand**, Gold River, CA (US)

(73) Assignee: **SAMSUNG ELECTRONICS CO., LTD.**, Gyeonggi-Do (KR)

(**) Term: **15 Years**

(21) Appl. No.: **29/642,984**

(22) Filed: **Apr. 3, 2018**

(51) **LOC (12) Cl.** **14-04**

(52) **U.S. Cl.**
USPC **D14/489**

(58) **Field of Classification Search**
USPC D14/485-495; D20/11; D21/324, 325
(Continued)

(56) **References Cited**

U.S. PATENT DOCUMENTS

5,910,268 A * 6/1999 Kefer B65D 81/3446
219/728
6,690,991 B1 * 2/2004 Kobayashi B23Q 17/20
33/550

(Continued)

FOREIGN PATENT DOCUMENTS

DE 402014200070-0008 2/2014
DE 402014200817-0001 4/2014
EM 002448886-0003 4/2014

OTHER PUBLICATIONS

“Popcorn Animation” Jul. 4, 2016, posted at dribbble.com, [site visited Oct. 30, 2019]. <https://dribbble.com/shots/2816847-Popcorn-Animation>.*

(Continued)

Primary Examiner — Jack Reickel

Assistant Examiner — John M Otte

(74) *Attorney, Agent, or Firm* — Cantor Colburn LLP

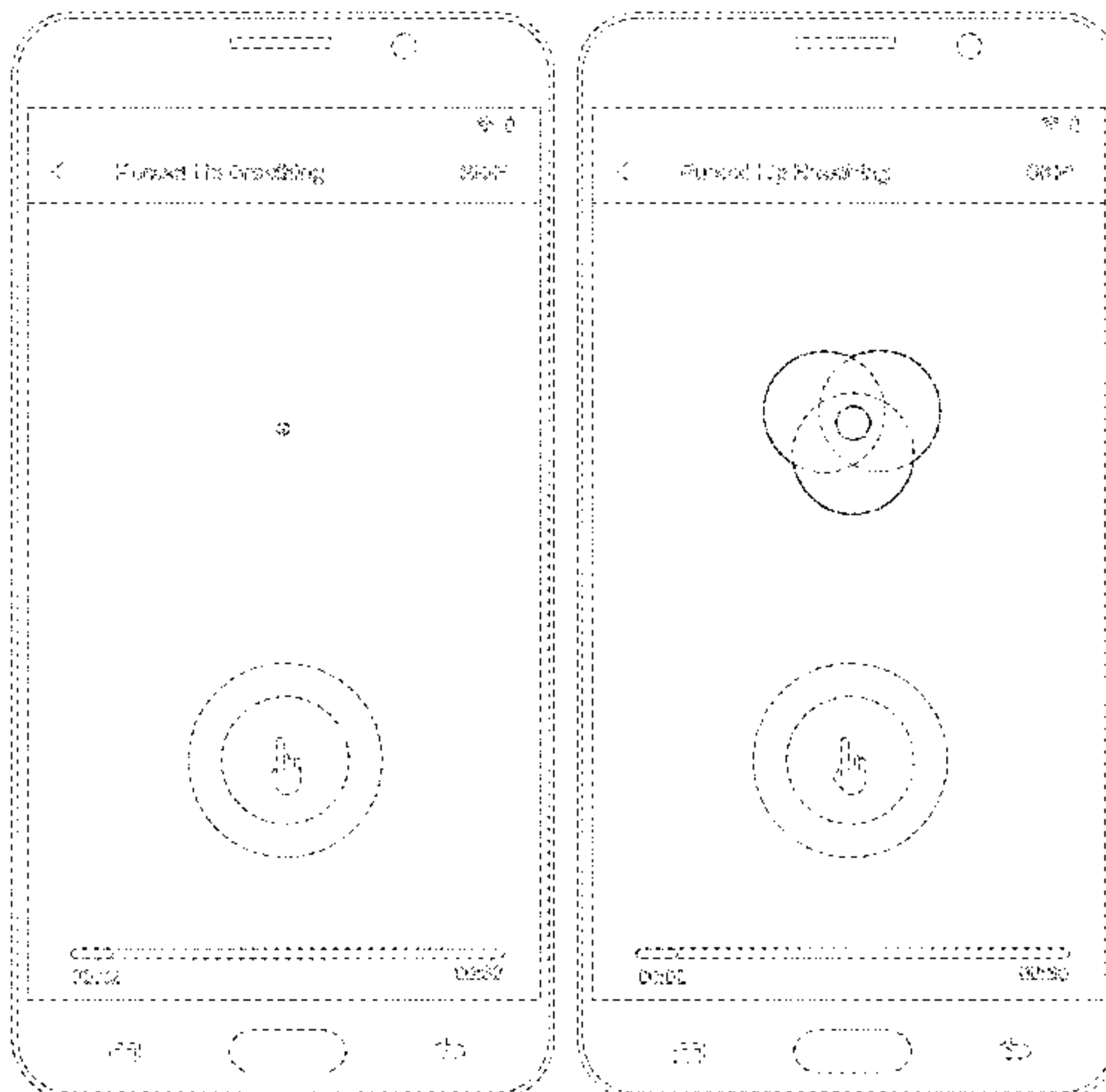
(57) **CLAIM**

The ornamental design for a display screen or portion thereof with transitional graphical user interface, as shown and described.

DESCRIPTION

FIG. 1 is a first image in a sequence for a display screen or portions thereof with transitional graphical user interface, showing our new design in a first embodiment; FIG. 2 is a second image in a sequence thereof; FIG. 3 is a third image in a sequence thereof; FIG. 4 is a fourth image in a sequence thereof; FIG. 5 is a fifth image in a sequence thereof; FIG. 6 is a sixth image in a sequence thereof; FIG. 7 is a seventh image in a sequence thereof; FIG. 8 is a first image in a sequence for a display screen or portions thereof with transitional graphical user interface, showing our new design in a second embodiment; FIG. 9 is a second image in a sequence thereof; FIG. 10 is a third image in a sequence thereof; FIG. 11 is a fourth image in a sequence thereof; FIG. 12 is a fifth image in a sequence thereof; FIG. 13 is a first image in a sequence for a display screen or portions thereof with transitional graphical user interface, showing our new design in a third embodiment; FIG. 14 is a second image in a sequence thereof; and, FIG. 15 is a third image in a sequence thereof. The broken lines showing the display screen or portion thereof and portions of the graphical user interface form no part of the claimed design. The process or period in which one image transitions to another forms no part of the claimed design.

1 Claim, 6 Drawing Sheets



(58) **Field of Classification Search**

CPC G06F 3/048; G06F 3/0481; G06F 3/04817;
 G06F 3/0482; G06F 3/0483; G06F
 3/04842; G06F 3/0485; G06F 3/04855;
 G06F 3/0486; G06F 3/0488; G06F
 3/04886; G06F 9/4443; G06F 17/211;
 G06F 17/212; B65D 81/3446; B23Q
 17/20; H04S 7/305

See application file for complete search history.

(56) **References Cited**

U.S. PATENT DOCUMENTS

D589,053 S	3/2009	Steele et al.	
D607,010 S *	12/2009	Kocmick	D14/491
D613,301 S *	4/2010	Lee	D14/489
D636,406 S *	4/2011	Mays	D14/495
D665,790 S *	8/2012	Li	D14/248
D670,687 S *	11/2012	Li	D14/248
D706,812 S *	6/2014	Peterson	D14/488
D712,916 S *	9/2014	Lee	D14/486
D713,414 S *	9/2014	Lee	D14/486
D741,892 S *	10/2015	Ahn	D14/486
D746,857 S *	1/2016	Rayit	D14/488
D755,245 S *	5/2016	Kim	D14/492
D760,777 S *	7/2016	Lee	D14/489
D762,673 S *	8/2016	Seo	D14/485
D762,719 S *	8/2016	Lee	D14/489
D763,871 S *	8/2016	Yang	D14/485
D767,629 S *	9/2016	Gupta	D14/492
D774,084 S *	12/2016	Lee	D14/489
D775,633 S *	1/2017	Wu	D14/485
D778,923 S *	2/2017	Zhou	D14/485
D783,635 S *	4/2017	Yang	D14/485
D788,807 S *	6/2017	Broughton	D14/486
D790,588 S	6/2017	Bebbington et al.	

D823,317 S *	7/2018	Li	D14/485
D831,067 S *	10/2018	Ekstrand	D14/489
D847,156 S *	4/2019	Bae	D14/485
D847,844 S *	5/2019	Li	D14/486
D850,470 S *	6/2019	Dye	D14/485
D852,209 S *	6/2019	Wei	D14/486
D855,649 S *	8/2019	Akagawa	D14/489
D857,726 S *	8/2019	Van Gerbig	D14/486
D857,742 S *	8/2019	Van Gerbig	D14/489
D860,221 S *	9/2019	Jeon	D14/485
D874,500 S *	2/2020	Krenkler	D14/486
2008/0040665 A1 *	2/2008	Waldeck	G06F 3/0482 715/277
2012/0249455 A1 *	10/2012	Nagata	G06F 3/0488 345/173
2013/0218688 A1 *	8/2013	Roos	G06F 3/0482 705/14.69
2016/0085422 A1 *	3/2016	Lee	G06F 3/04845 715/810
2018/0024808 A1 *	1/2018	Wilberding	H04S 7/305 715/716

OTHER PUBLICATIONS

Tudor, Ana, "Simplifying the Apple Watch Breathe App Animation With CSS Variables" Jan. 15, 2018, posted at css-tricks.com, [site visited Oct. 30, 2019]. <https://web.archive.org/web/20180118012805/https://css-tricks.com/simplifying-apple-watch-breathe-app-animation-css-variables>.*

Jones, Jeremy, "Incoming Call iPhone" Feb. 16, 2016, posted at dribbble.com, [site visited 30 Oct. 2019]. <https://dribbble.com/shots/2530288-Incoming-Call-iPhone>.*

"Fotsam & Jetsam" Feb. 17, 2018, posted at flotsam.sellingwaves.com, [site visited Mar. 20, 2020]. <https://web.archive.org/web/20180217084031/http://flotsam.sellingwaves.com/page/3> (Year: 2018).*

* cited by examiner

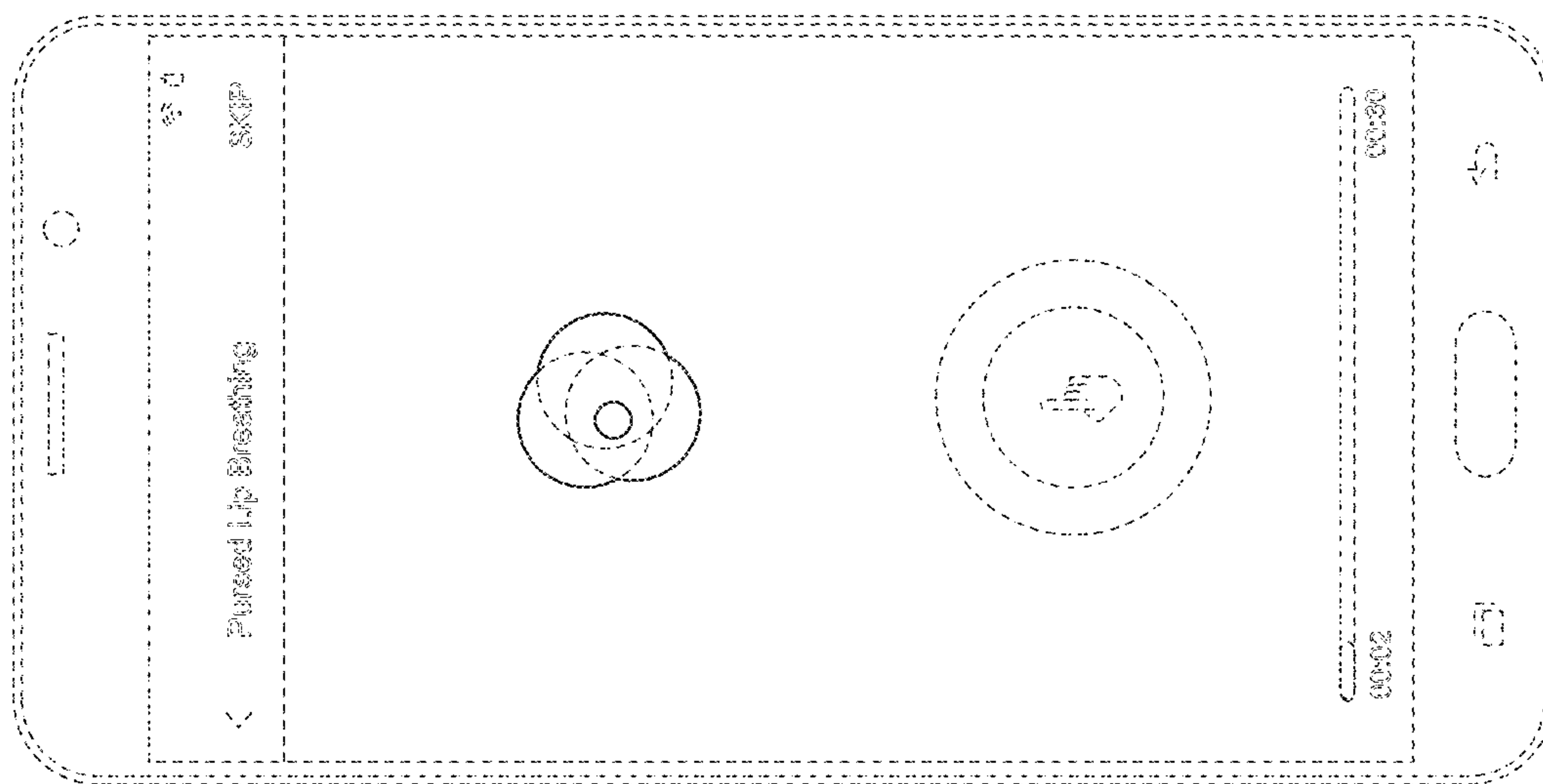


FIG. 1

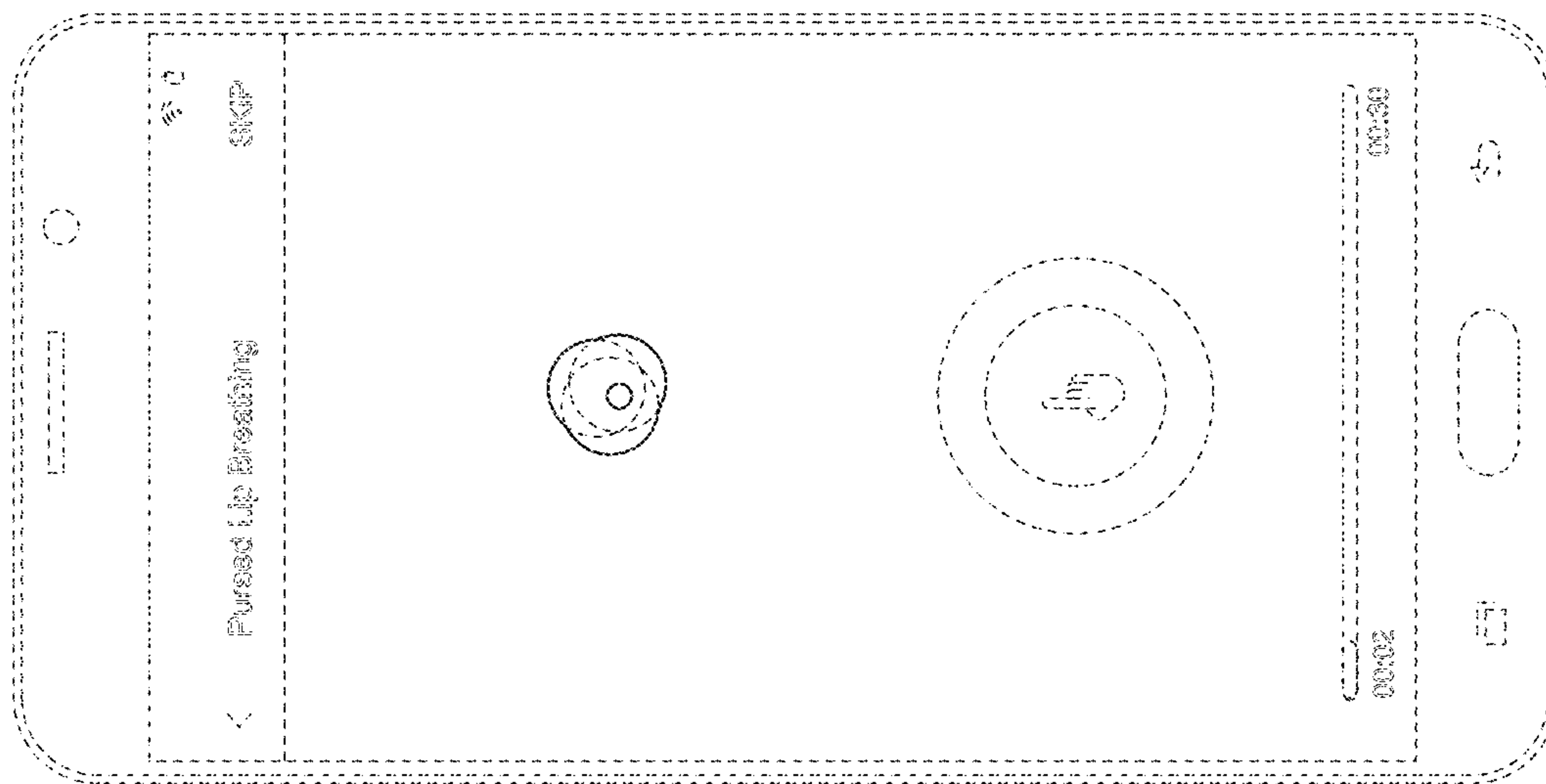


FIG. 2

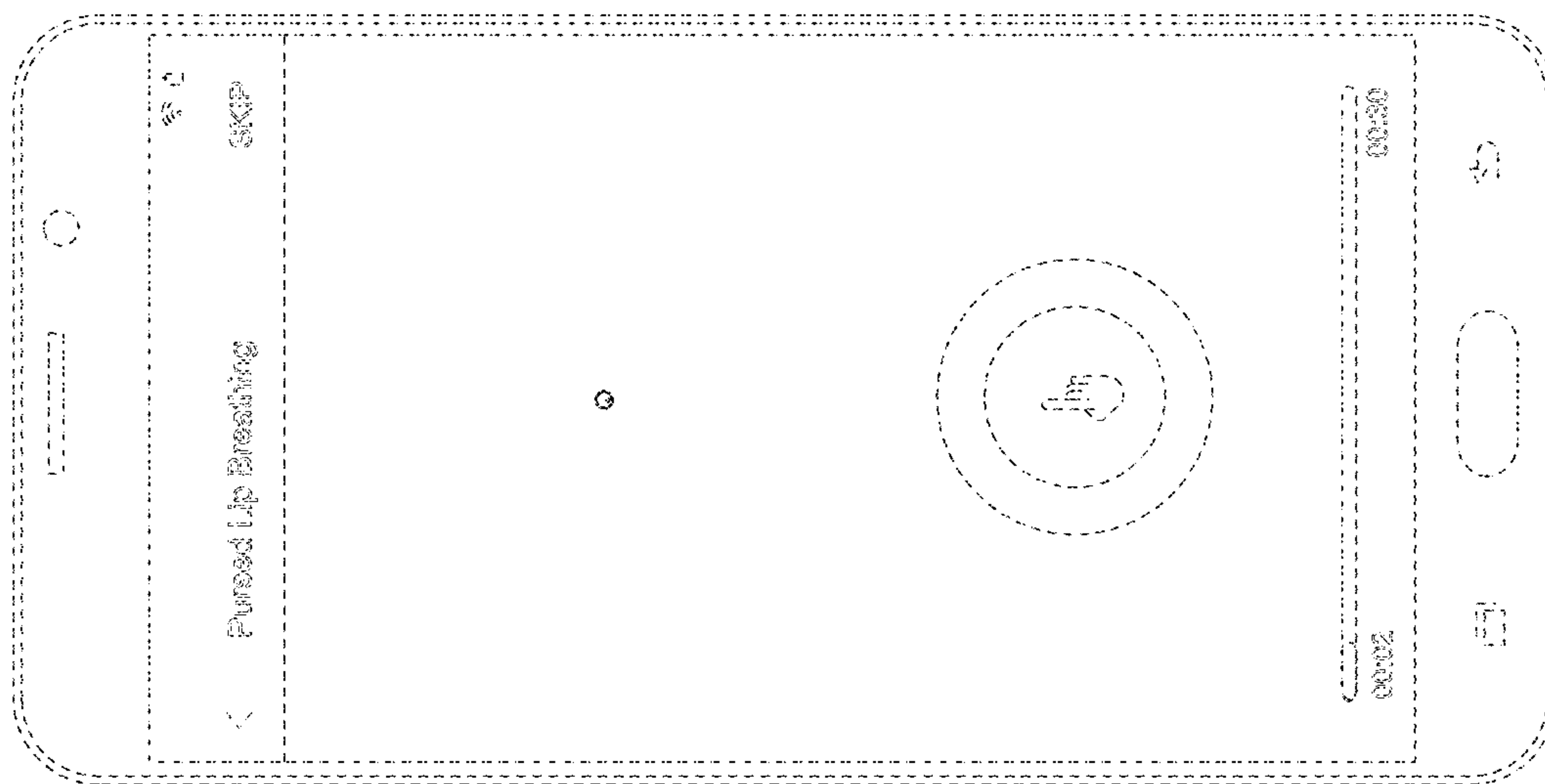


FIG. 3

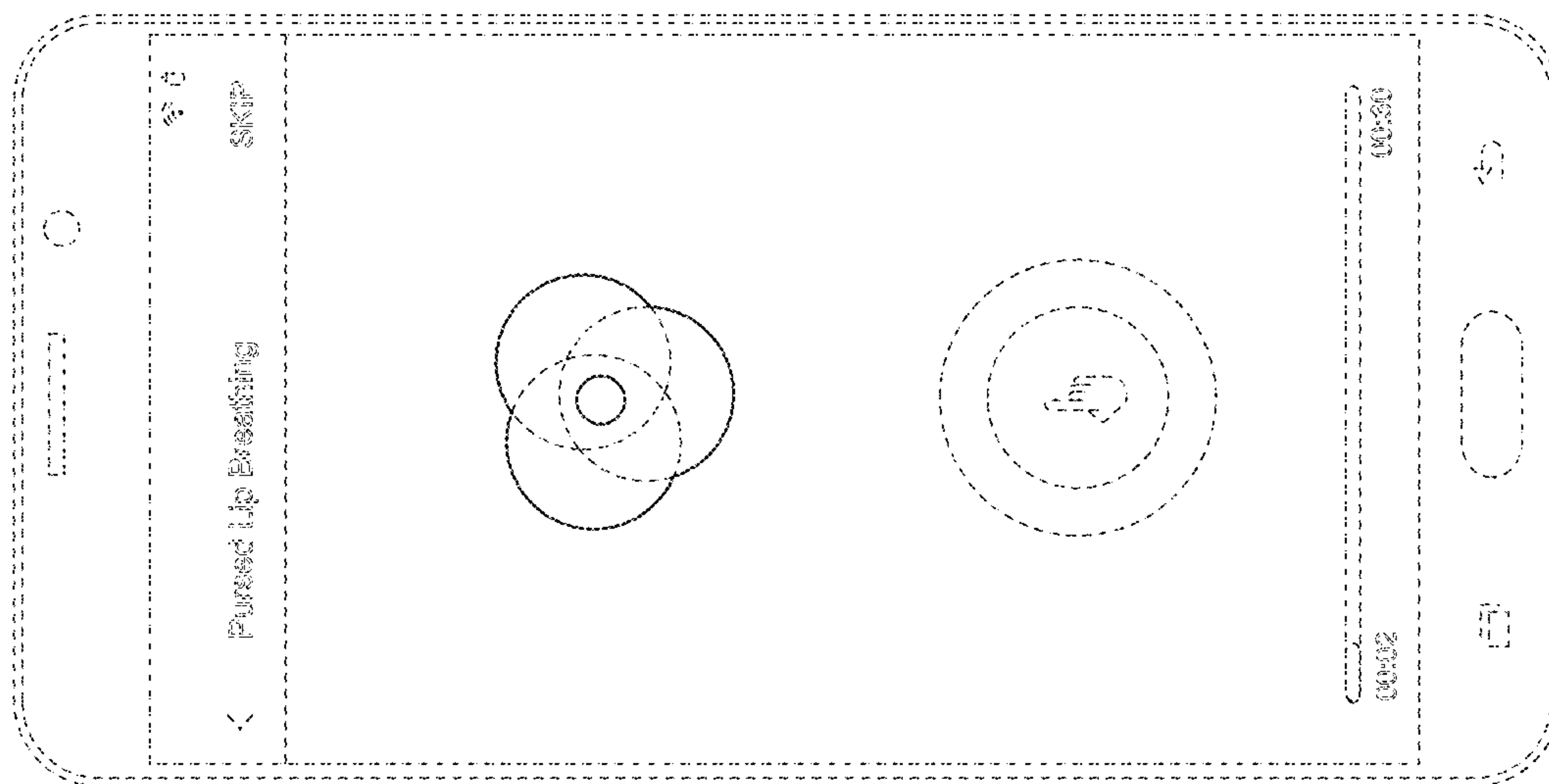


FIG. 4

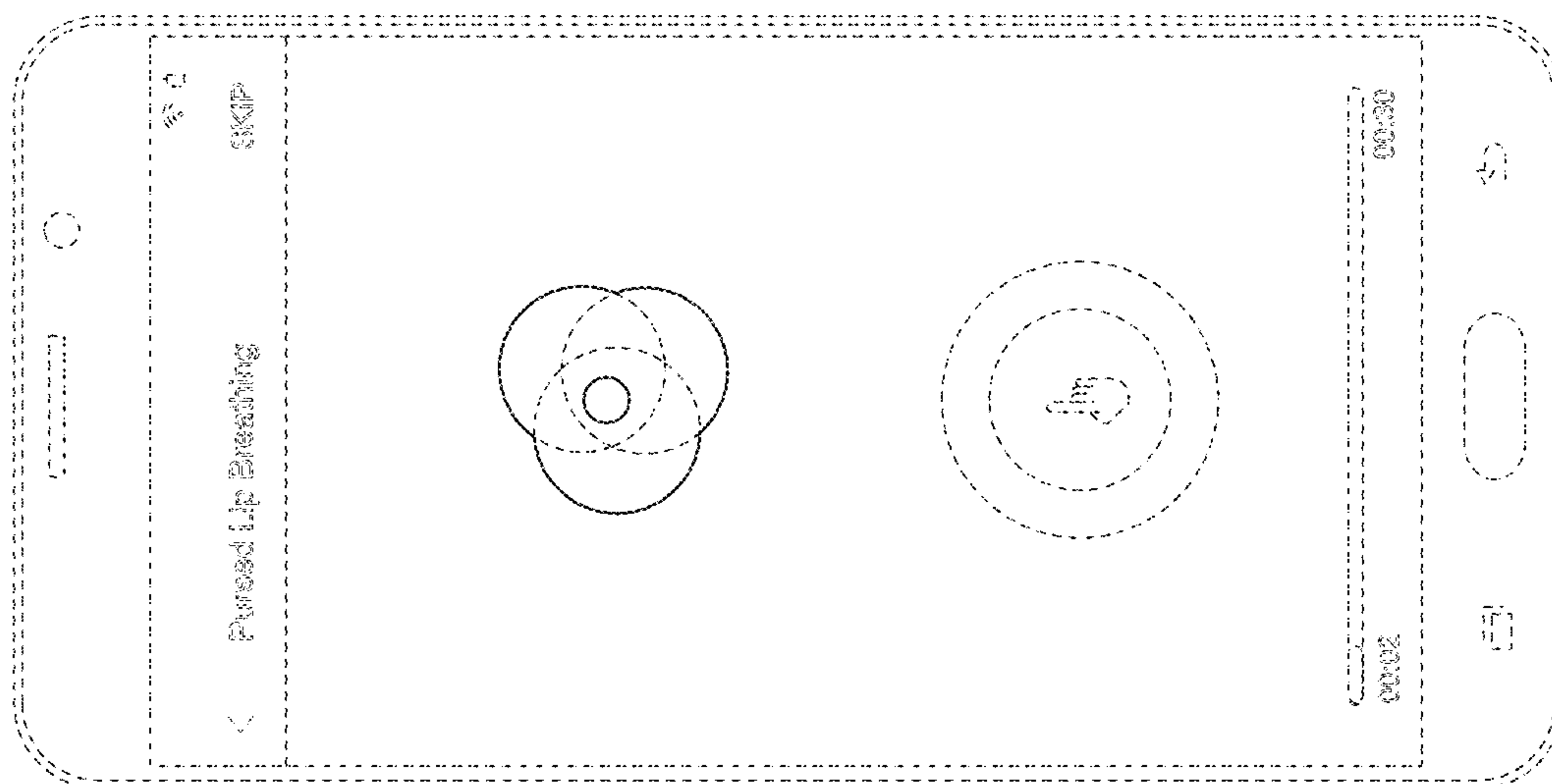


FIG. 5

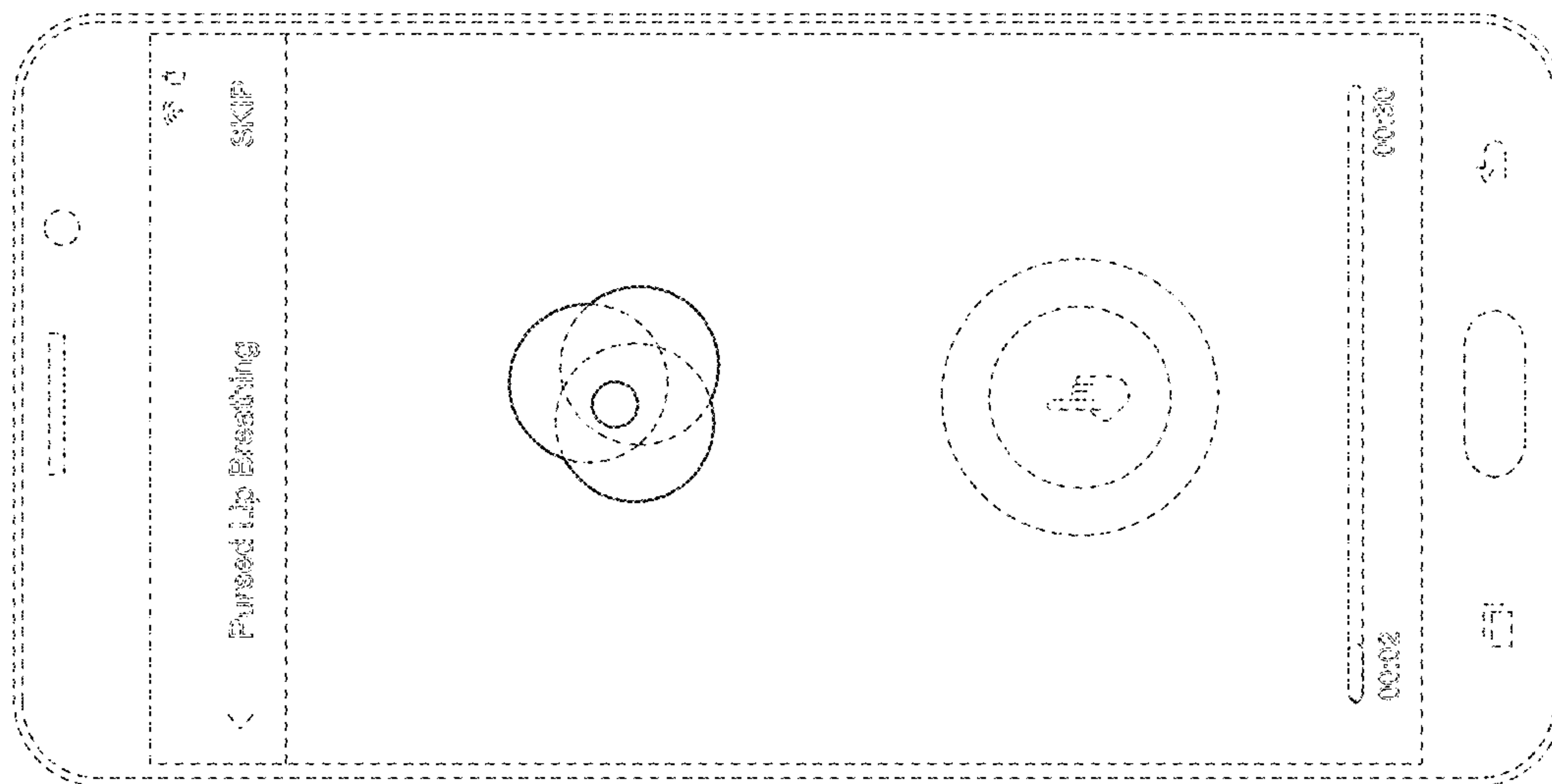


FIG. 6

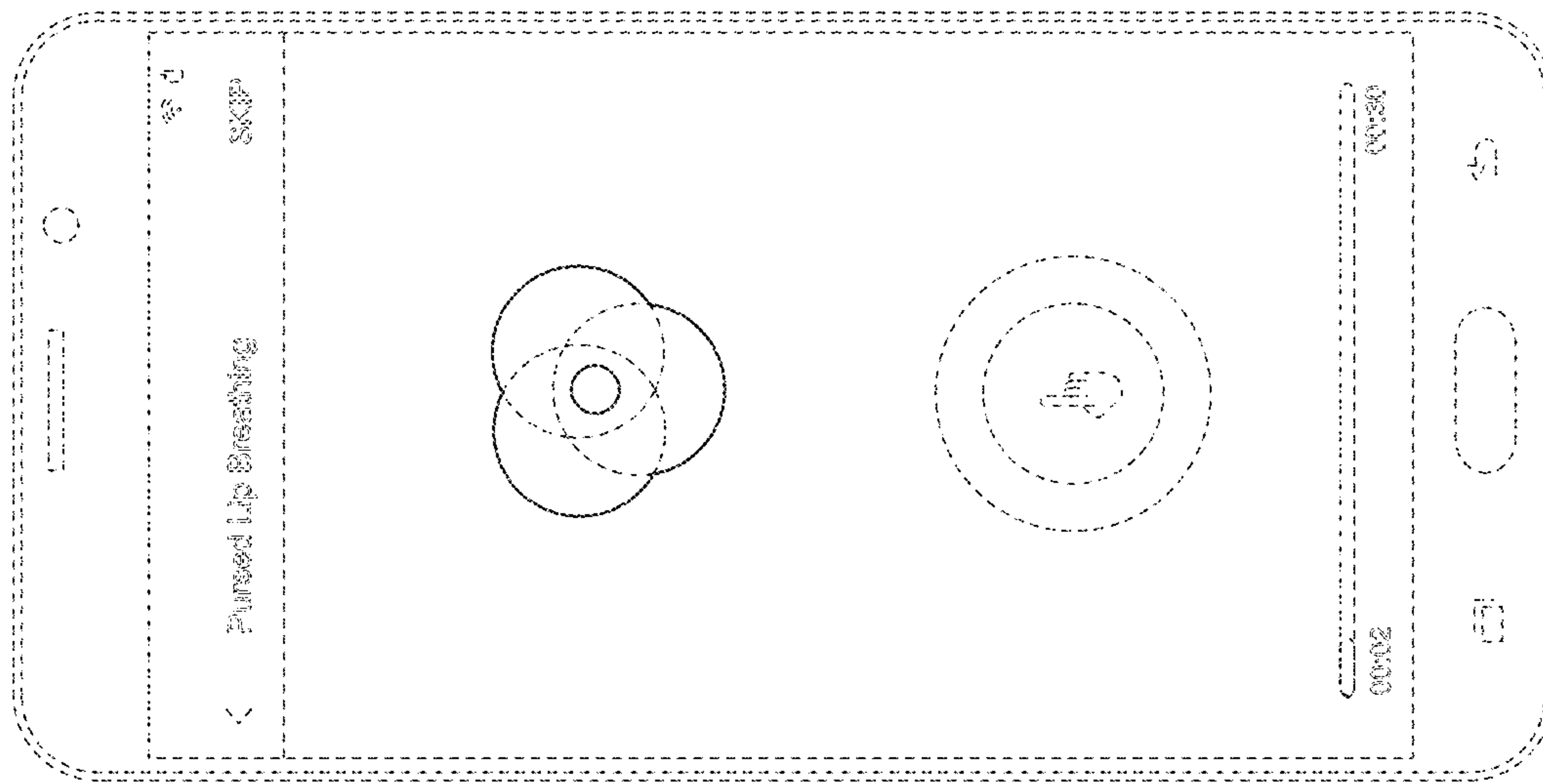


FIG. 7

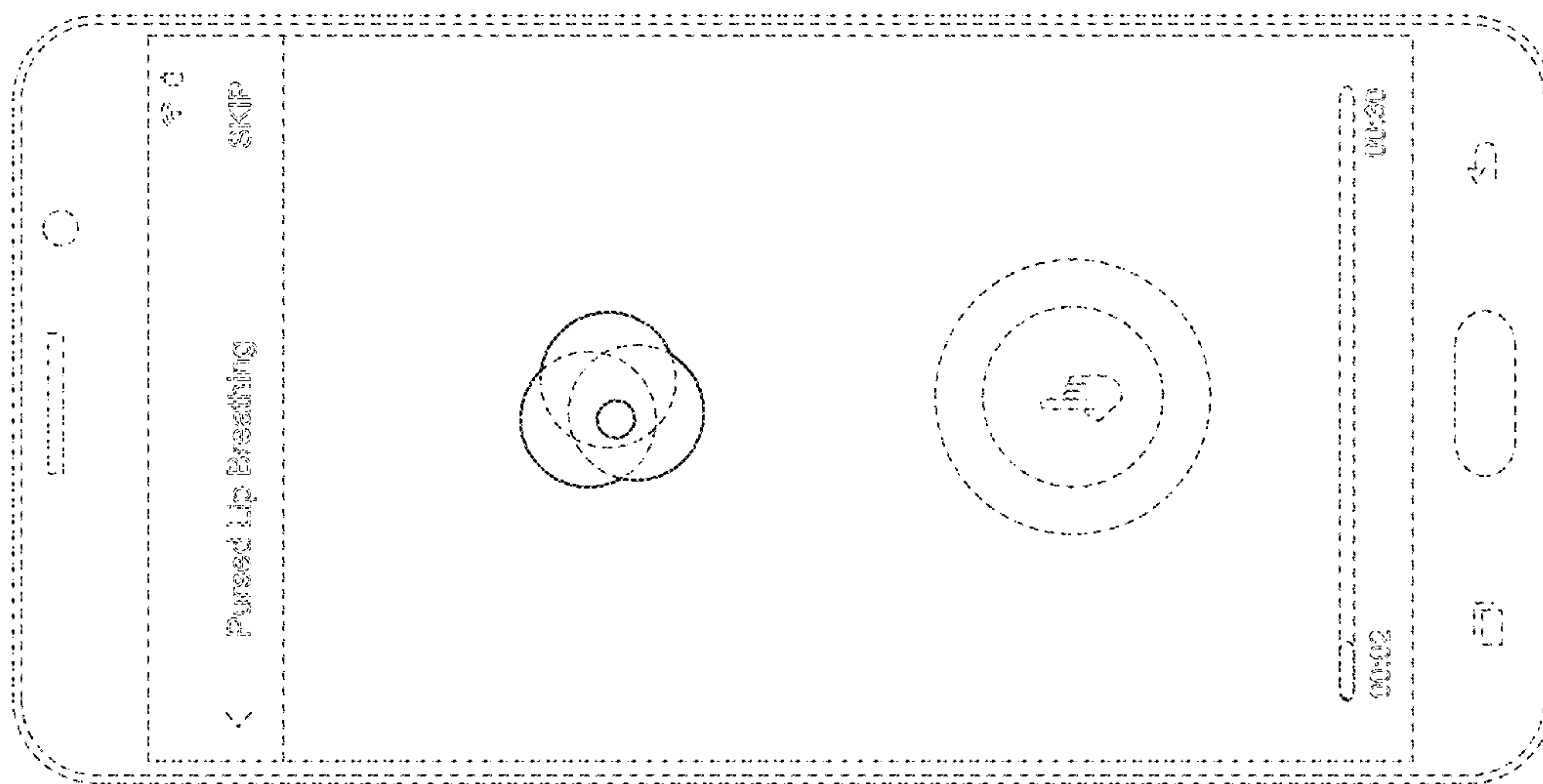


FIG. 8

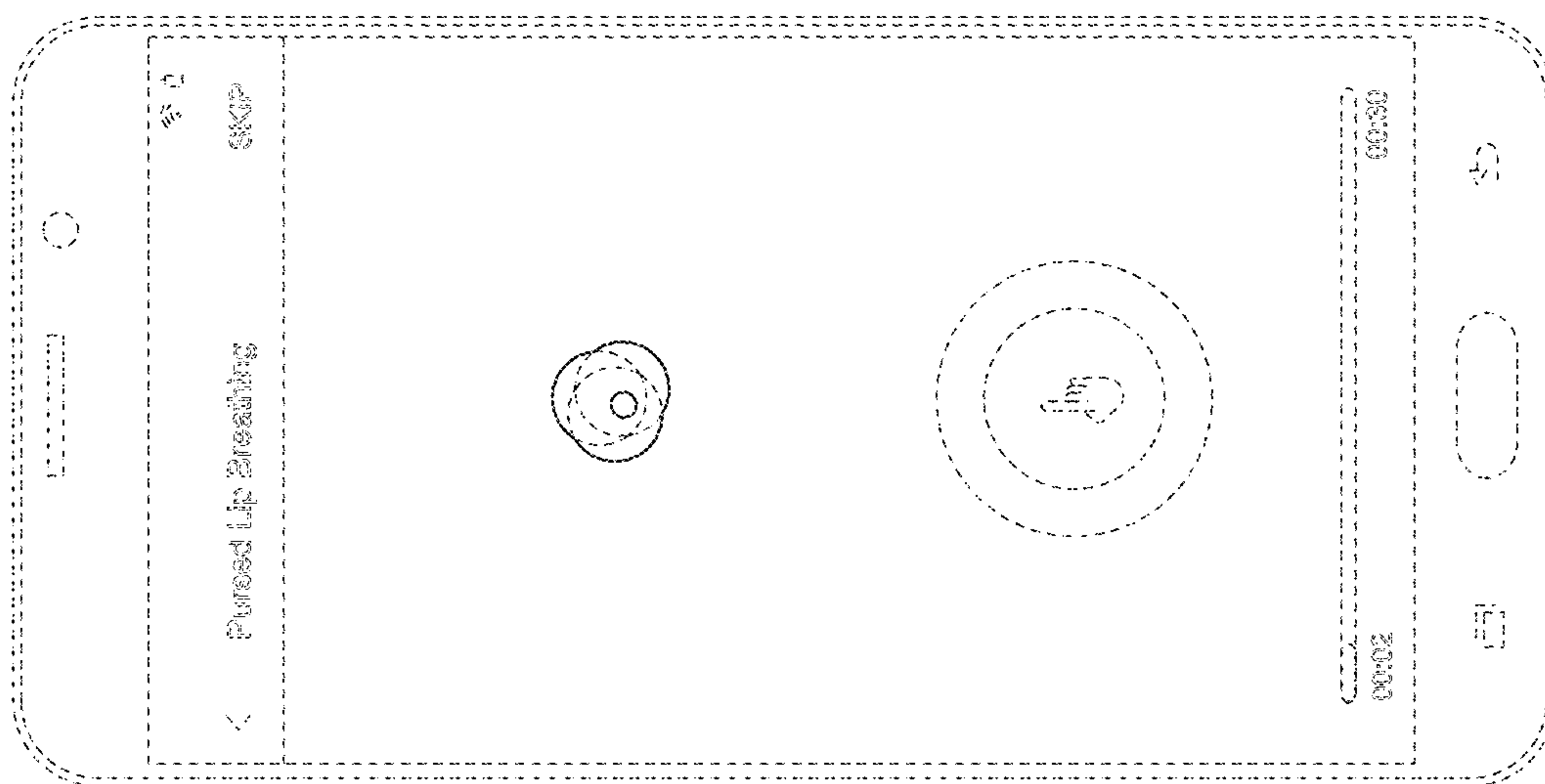


FIG. 9

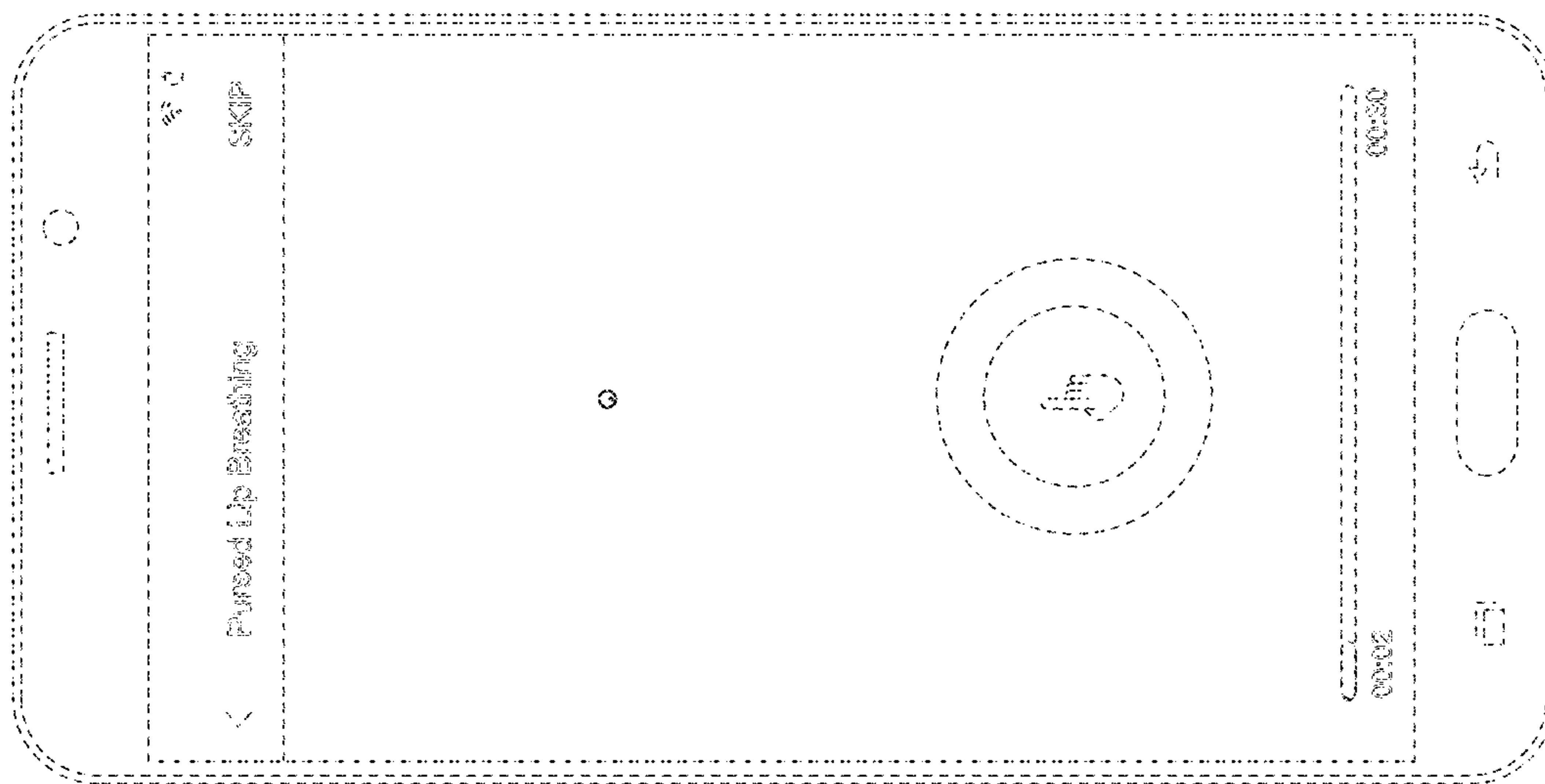


FIG. 10

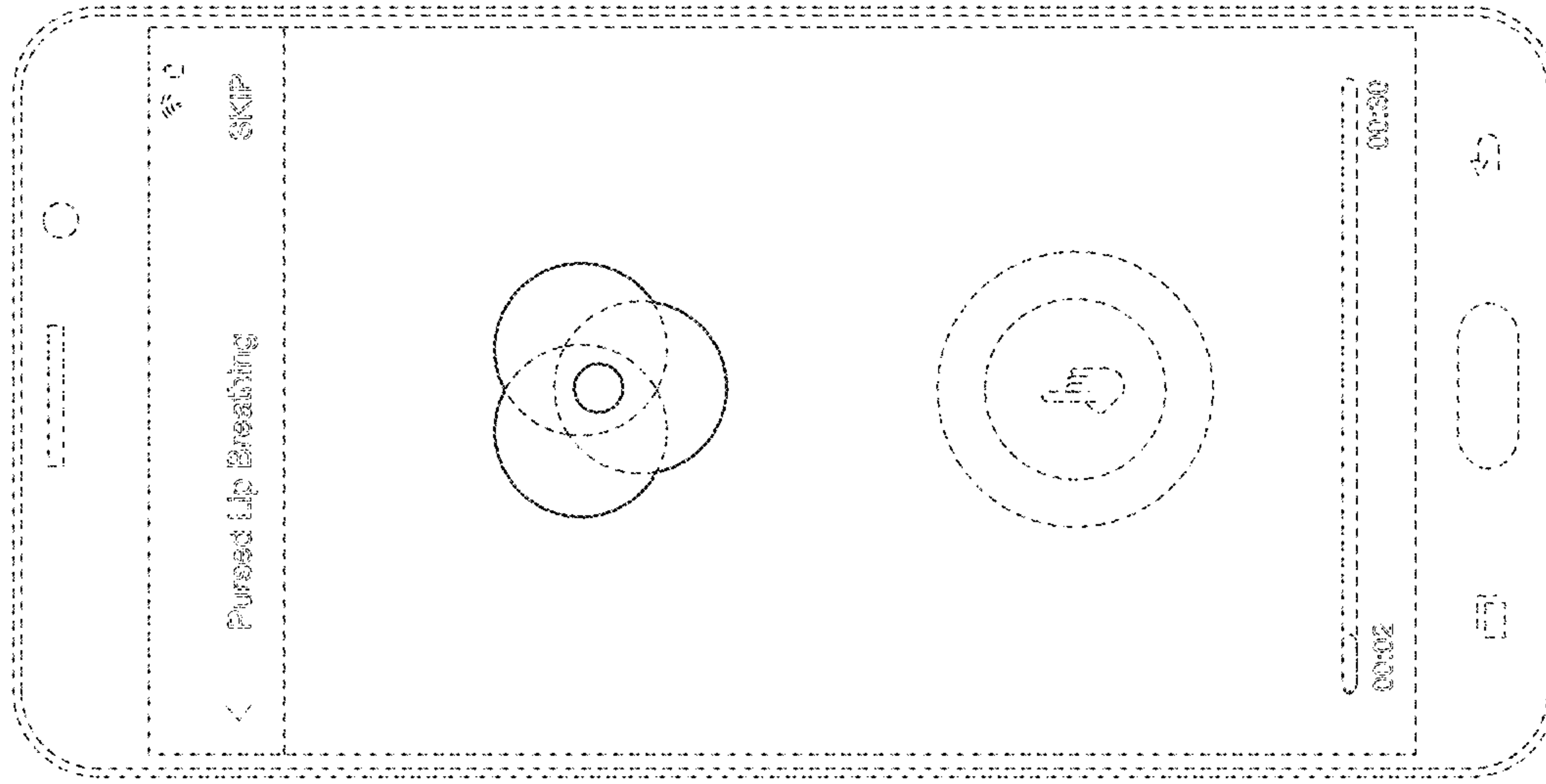


FIG. 11

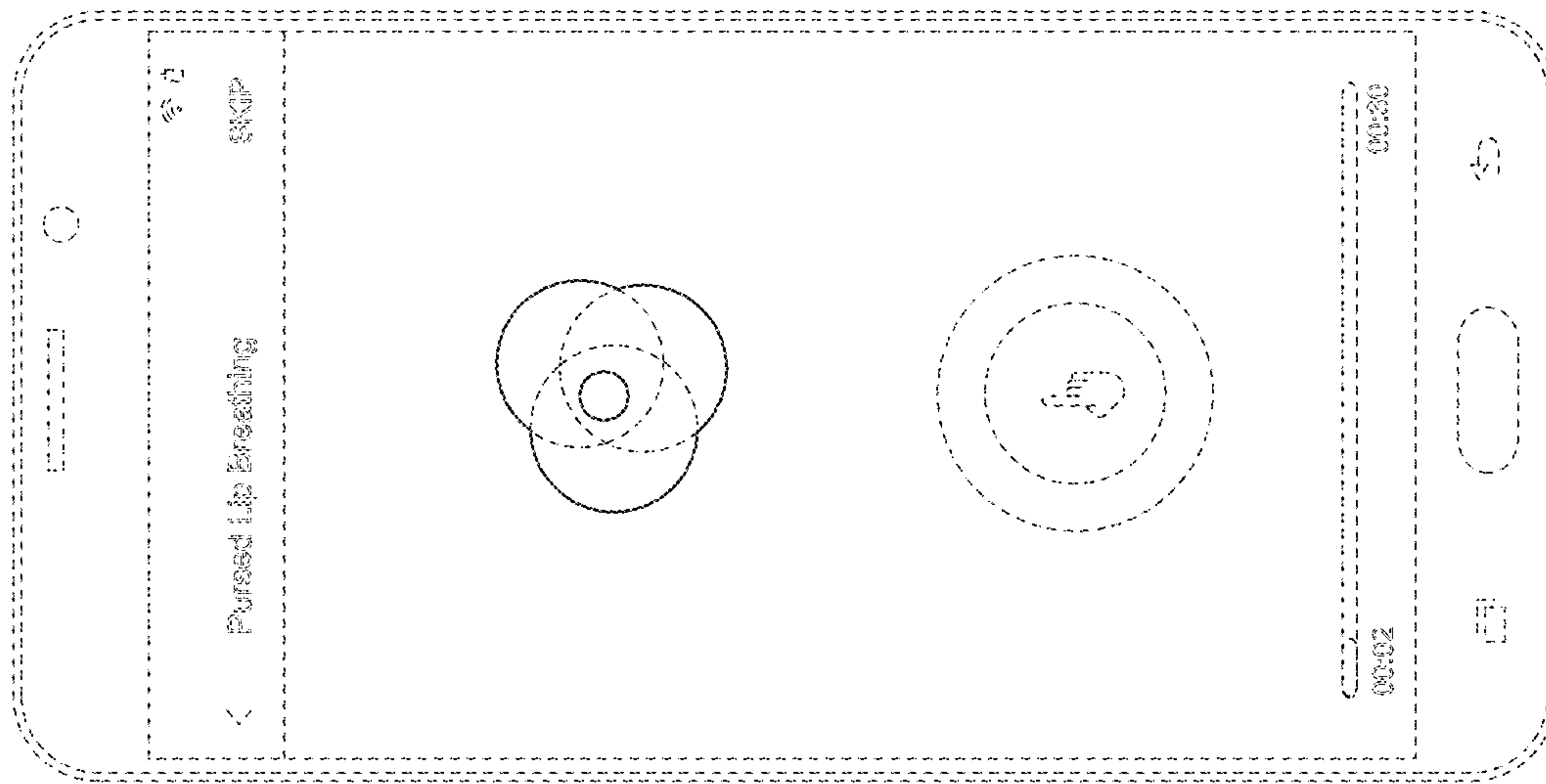


FIG. 12

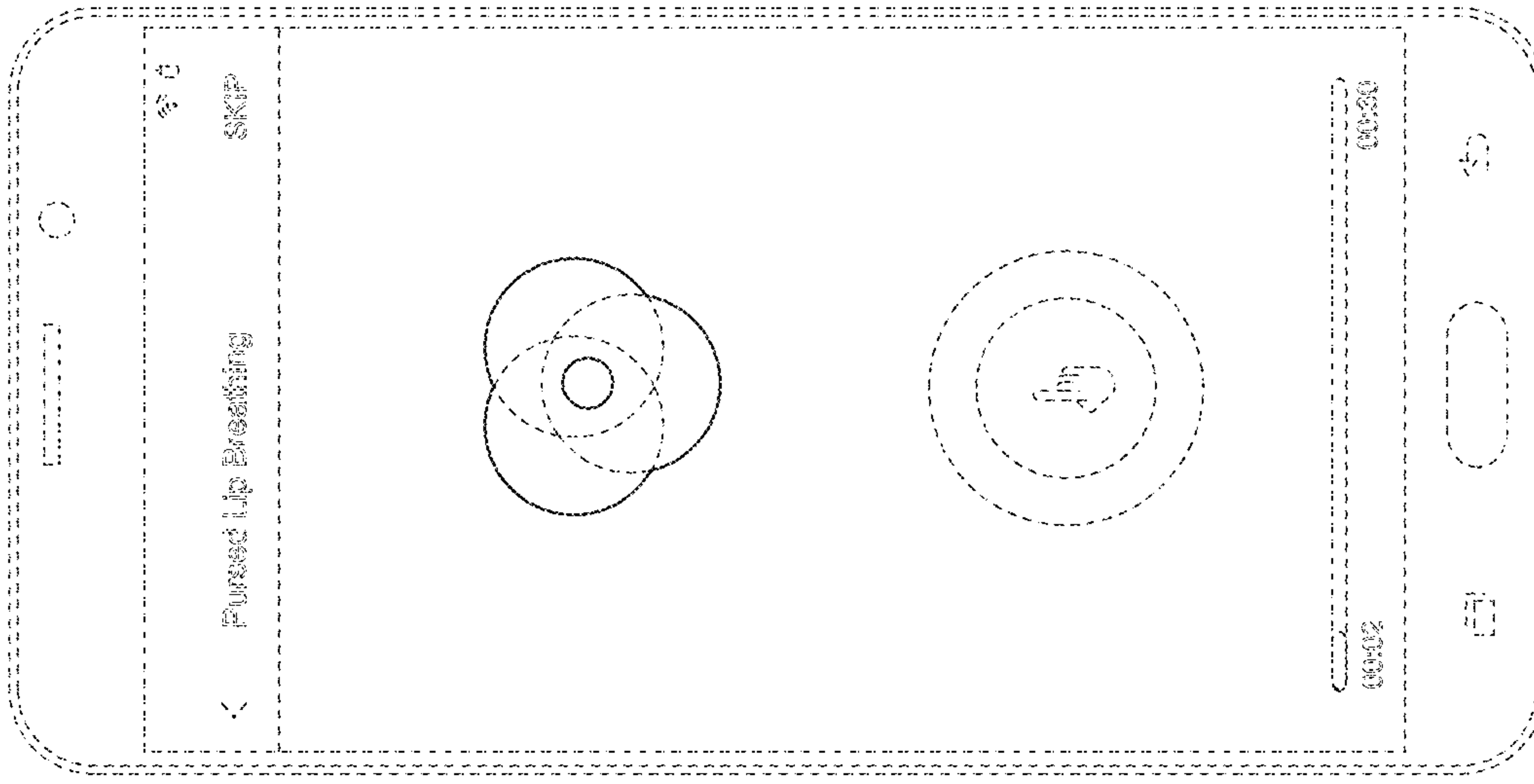


FIG. 13

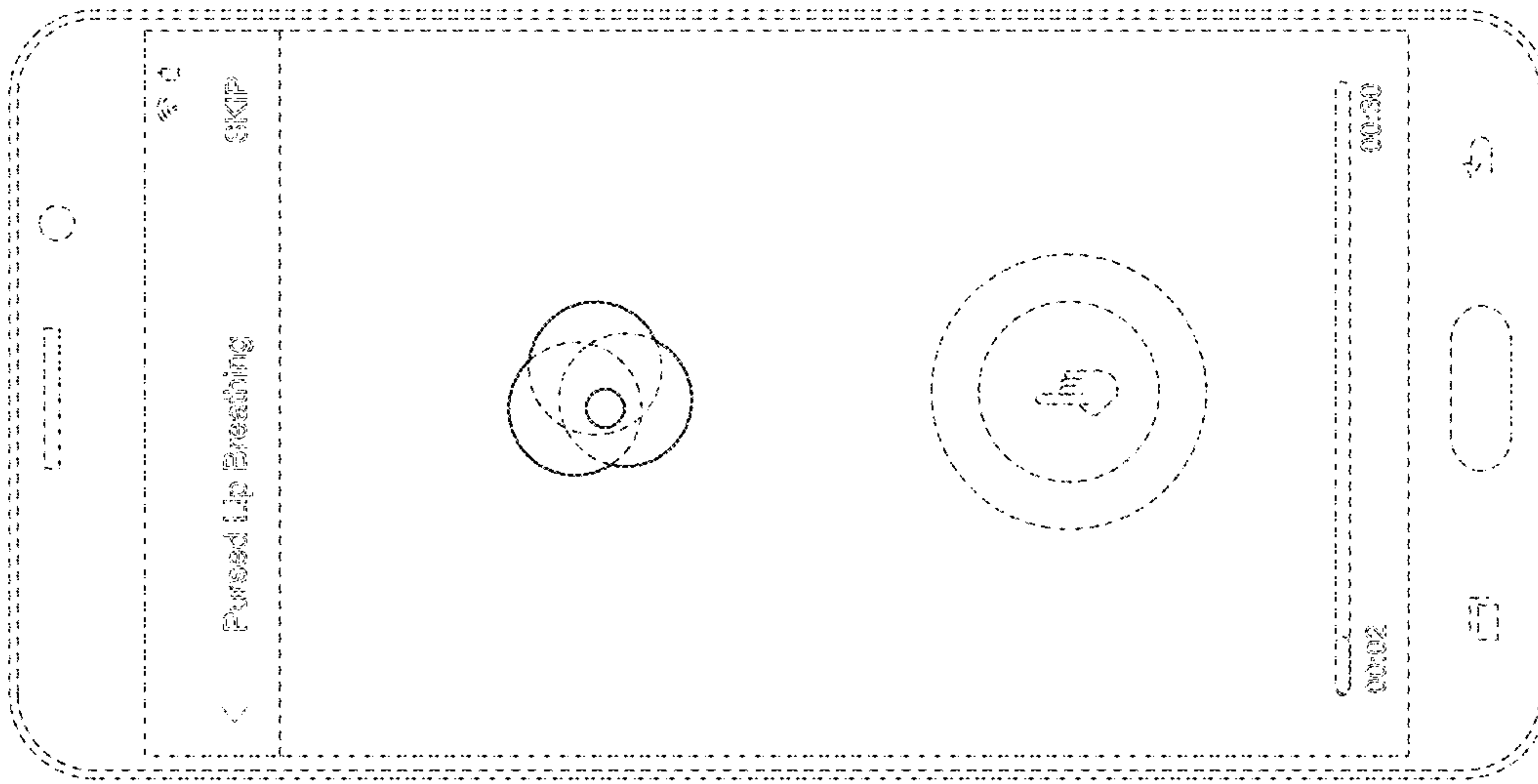


FIG. 14

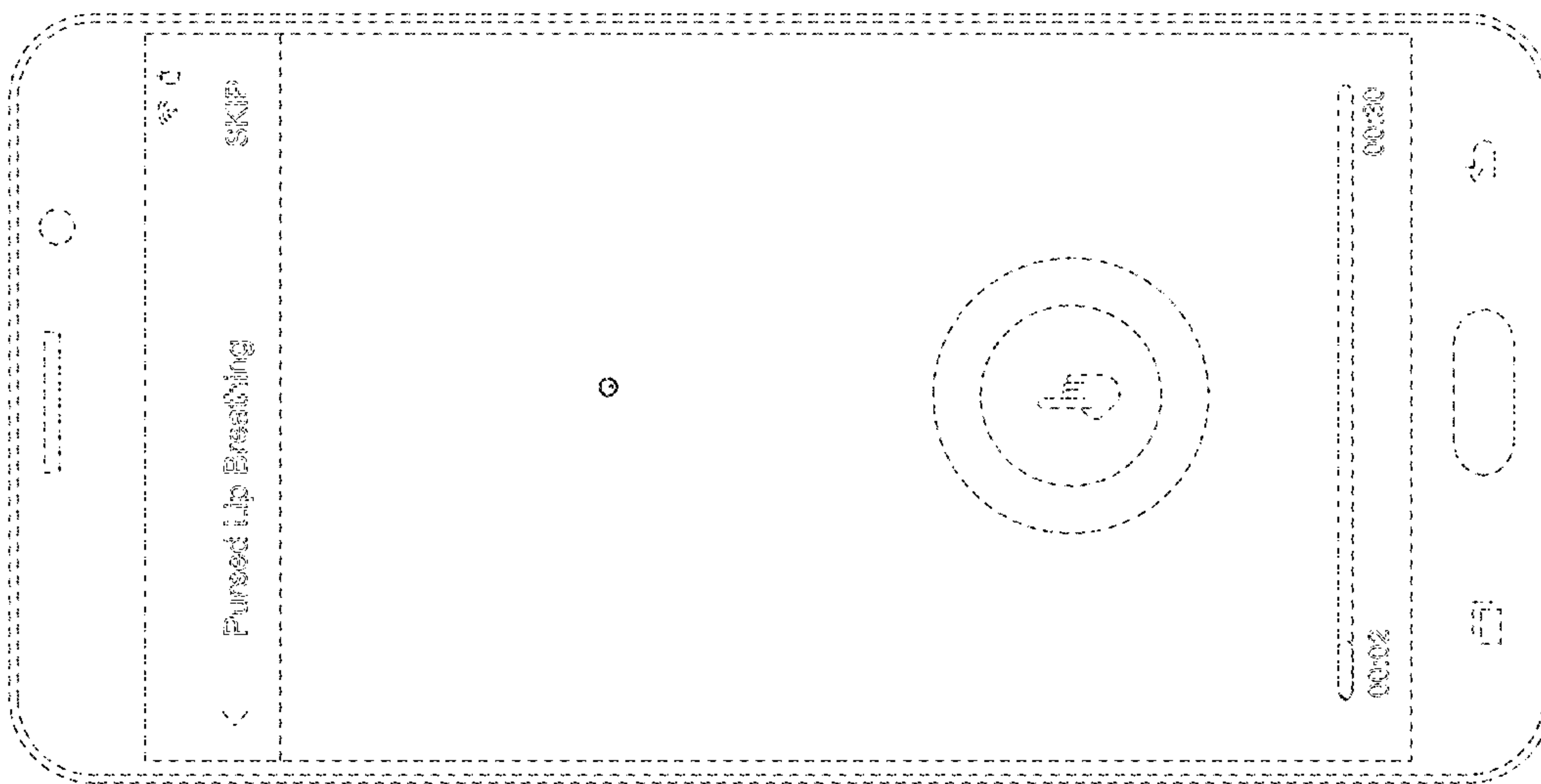


FIG. 15