



US00D892133S

(12) **United States Design Patent** (10) **Patent No.:** **US D892,133 S**  
**Busto et al.** (45) **Date of Patent:** **\*\* Aug. 4, 2020**

(54) **DISPLAY PANEL OR PORTION THEREOF WITH GRAPHICAL USER INTERFACE**

H04N 21/00; H04N 21/234; H04N 21/431; H04N 21/4312; H04N 21/4314; H04N 21/4316

(71) Applicant: **MAGIC LEAP, INC.**, Plantation, FL (US)

See application file for complete search history.

(72) Inventors: **Javier Antonio Busto**, Plantation, FL (US); **Jeremy Vanhoozer**, Delray Beach, FL (US); **Jonathan Brodsky**, Fort Lauderdale, FL (US); **Michael Laufbahn**, Miami, FL (US)

(56) **References Cited**

U.S. PATENT DOCUMENTS

|              |         |                |         |
|--------------|---------|----------------|---------|
| D668,667 S * | 10/2012 | Song .....     | D14/486 |
| D692,443 S * | 10/2013 | Lee .....      | D14/486 |
| D712,923 S * | 9/2014  | Lee .....      | D14/488 |
| D724,614 S * | 3/2015  | Mullet .....   | D14/486 |
| D731,504 S * | 6/2015  | Kyakuno .....  | D14/485 |
| D750,659 S * | 3/2016  | Cranfill ..... | D14/486 |
| D753,687 S * | 4/2016  | Anzures .....  | D14/486 |
| D754,697 S * | 4/2016  | Follett .....  | D14/486 |
| D757,777 S * | 5/2016  | Cranfill ..... | D14/486 |
| D774,073 S * | 12/2016 | Anzures .....  | D14/486 |
| D795,888 S * | 8/2017  | Kyakuno .....  | D14/485 |
| D795,889 S * | 8/2017  | Kyakuno .....  | D14/485 |
| D797,130 S * | 9/2017  | Ono .....      | D14/486 |
| D804,498 S * | 12/2017 | Akatsu .....   | D14/485 |
| D812,628 S * | 3/2018  | Okado .....    | D14/486 |

(Continued)

(73) Assignee: **Magic Leap, Inc.**, Plantation, FL (US)

(\*\*) Term: **15 Years**

(21) Appl. No.: **29/640,872**

(22) Filed: **Mar. 16, 2018**

(51) **LOC (12) Cl.** ..... **14-04**

(52) **U.S. Cl.**  
USPC ..... **D14/485**

(58) **Field of Classification Search**

USPC ..... D14/485-495; 345/1.1, 1.2, 2.1-2.3, 3.1, 345/902; 715/763, 810, 836, 837, 846, 715/847, 977

CPC .... G06F 3/048; G06F 3/0481; G06F 3/04812; G06F 3/04817; G06F 3/0482; G06F 3/0483; G06F 3/0484; G06F 3/04847; G06F 3/0485; G06F 3/04855; G06F 3/04886; G06Q 30/00; H03J 1/00; H03J 1/0008; H03J 1/0016; H03J 1/0025; H04N 5/00; H04N 5/08; H04N 5/14; H04N 5/222; H04N 5/225; H04N 5/232; H04N 5/445; H04N 5/44543; H04N 5/45; H04N 2005/44517; H04N 2005/44521; H04N 2005/44526; H04N 2005/4453; H04N 2005/44534; H04N 2005/44539; H04N 2005/44547; H04N 2005/44556; H04N 2005/4456; H04N 2005/44565; H04N 2005/44569; H04N 2005/44573;

*Primary Examiner* — Cathron C Brooks

*Assistant Examiner* — Christian P. McLean

(74) *Attorney, Agent, or Firm* — Vista IP Law Group LLP

(57) **CLAIM**

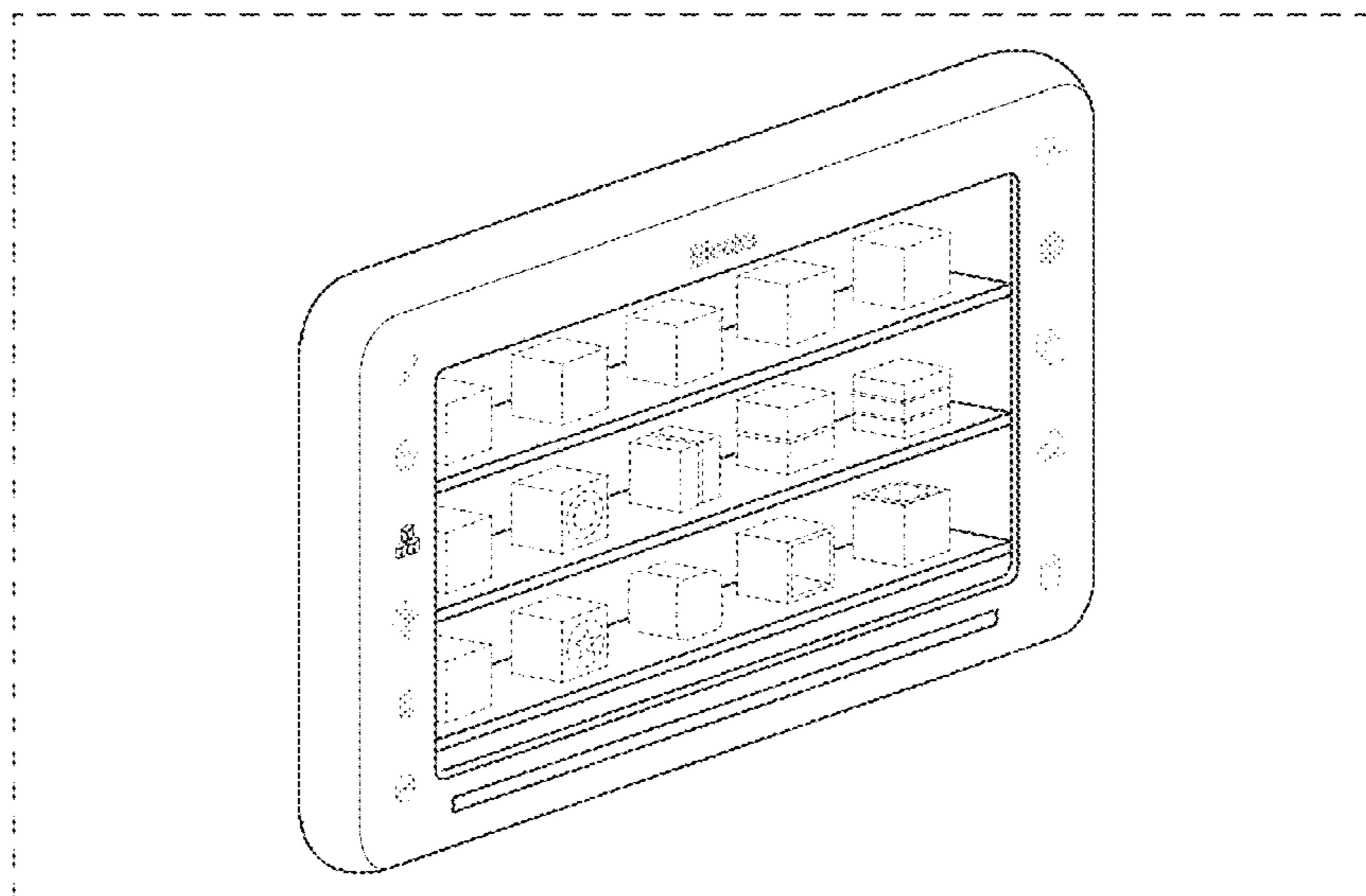
The ornamental design for a display panel or portion thereof with a graphical user interface, as shown and described.

**DESCRIPTION**

The sole FIGURE is a front view of a display panel or portion thereof with a graphical user interface showing our design.

The outermost broken line rectangle illustrates a display panel or portion thereof that forms no part of the design. The remaining broken lines, including all text, illustrate portions of the graphical user interface and form no part of the design.

**1 Claim, 1 Drawing Sheet**



(56)

**References Cited**

U.S. PATENT DOCUMENTS

|                   |         |               |                        |
|-------------------|---------|---------------|------------------------|
| D829,738 S *      | 10/2018 | Farh .....    | D14/486                |
| D862,491 S *      | 10/2019 | Janicki ..... | D14/485                |
| D869,489 S *      | 12/2019 | Farh .....    | D14/486                |
| 2012/0089947 A1 * | 4/2012  | Lee .....     | G06F 3/0483<br>715/839 |

\* cited by examiner

