



US00D892124S

(12) **United States Design Patent** (10) **Patent No.:** **US D892,124 S**
Shim (45) **Date of Patent:** **** Aug. 4, 2020**

(54) **SSD STORAGE DEVICE**

19/07715; G06K 19/0772; G06K
19/07722; G06K 19/07724; G06K
19/07726; G06K 19/07728; G06K
7/0021; G06K 13/0831;

(71) Applicant: **SAMSUNG ELECTRONICS CO., LTD.**, Suwon-si (KR)

(Continued)

(72) Inventor: **Shady Shim**, Seoul (KR)

(56) **References Cited**

(73) Assignee: **SAMSUNG ELECTRONICS CO., LTD.**, Suwon-si (KR)

U.S. PATENT DOCUMENTS

(**) Term: **15 Years**

D141,980 S * 8/1945 Holland et al. D3/274
D239,198 S * 3/1976 Nau D26/46

(21) Appl. No.: **29/628,068**

(Continued)

(22) Filed: **Dec. 1, 2017**

FOREIGN PATENT DOCUMENTS

(30) **Foreign Application Priority Data**

KR 3009028890000 S 4/2017

Jun. 1, 2017 (KR) 30-2017-0025016

OTHER PUBLICATIONS

(51) **LOC (12) Cl.** **14-02**

Communication dated Apr. 16, 2018, from the Intellectual Property Office of Taiwan in counterpart application No. 106307037, Partial.

(52) **U.S. Cl.**
USPC **D14/435**

Primary Examiner — Susan Moon Lee

(58) **Field of Classification Search**

(74) *Attorney, Agent, or Firm* — Sughrue Mion, PLLC

USPC D14/435–438, 478–480, 356, 251, 253,
D14/432, 434, 480.5, 358, 480.7, 484.1,
D14/480.1, 363, 348, 341, 367, 138 G,
D14/138 AD, 240, 498, 496; 235/441,
235/443, 487, 492, 493, 495; 361/737,
361/679, 752, 736, 728, 796, 797, 729,
361/730, 725–727, 600, 679.33, 709;
257/678, 679, 693, E23.064; 439/946,
439/948, 159, 1, 76.1; 174/250, 260,
174/52.1, 52.2, 254; 710/300–303;
438/121; D13/108, 103, 107, 109, 110,
D13/118, 119, 184, 199, 138.1;
320/107–115, 101; 455/558, 575.1;
D21/332, 330; 360/99.13–99.15;
D26/37–39, 46, 51, 52, 60

(57) **CLAIM**

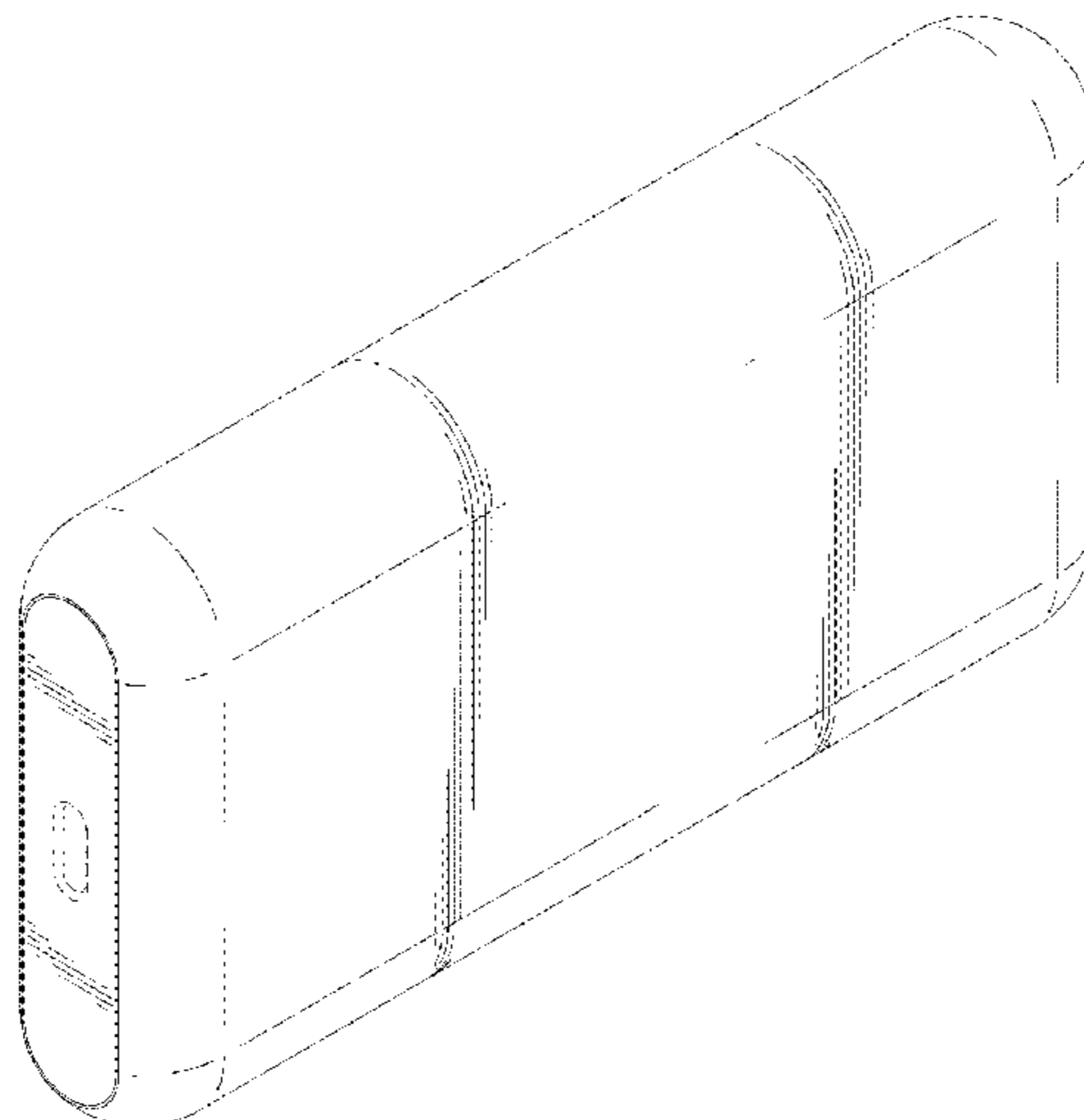
The ornamental design for an SSD storage device, as shown and described.

CPC G06K 19/06196; G06K 19/072; G06K
19/0721; G06K 19/0722; G06K 19/0723;
G06K 19/0724; G06K 19/0725; G06K
19/0726; G06K 19/0727; G06K 19/0728;
G06K 19/073; G06K 19/07309; G06K
19/077; G06K 19/07701; G06K

DESCRIPTION

FIG. 1 is a perspective view of an SSD storage device showing our new design.
FIG. 2 is a front elevation view thereof.
FIG. 3 is a rear elevation view thereof.
FIG. 4 is a left side elevation view thereof.
FIG. 5 is a right side elevation view thereof.
FIG. 6 is a top plan view thereof; and,
FIG. 7 is a bottom plan view thereof.
The broken lines depict unclaimed features of the SSD storage device that form no part of the design claim but are shown for illustrative purposes.

1 Claim, 4 Drawing Sheets



(58) **Field of Classification Search**

CPC G06F 21/86; G06F 21/87; G06F 21/77-80;
 G06F 21/85-88; G06F 21/00; G06Q
 20/3229; G06Q 20/34; G06Q 20/341;
 G06Q 20/346; G06Q 20/349; G06Q
 20/3563; G06Q 20/3567; G06Q 20/357;
 G06Q 20/3576; H05K 5/026; H05K
 5/0256; H05K 5/0265; H05K 5/0269;
 H05K 5/0273; H05K 5/0278; H05K
 5/0282; H05K 5/0286; H05K 5/0291;
 H05K 5/0295; H05K 5/03; H05K 5/04;
 H05K 5/06; H05K 5/061; H05K 5/062;
 H05K 5/063; H05K 5/064; H05K 5/065;
 H05K 5/066; H05K 5/067; H05K 5/068;
 H05K 5/069; H05K 7/00; H05K 7/005;
 H05K 7/02; H05K 7/023; H05K 7/026;
 H05K 7/04; H05K 7/10; H05K 7/1418;
 H05K 7/142; H05K 7/1424; H05K
 7/1427-1439; H05K 7/1461; H05K
 7/1464-1474; H05K 7/1479; H05K
 7/1481; H05K 7/1485-1488; H05K
 2201/09745; H05K 2201/09754; H05K
 2201/09763; H05K 2201/09772; H05K
 2201/098; H05K 2201/09818; H05K
 2201/10; H05K 2201/10007; H04N
 2201/216; H04B 1/3816; H04B 1/3818;
 G11B 25/00; G11B 25/02; G11B 25/04;
 G11B 25/043; G11B 33/122-124

See application file for complete search history.

(56) **References Cited**

U.S. PATENT DOCUMENTS

D245,701 S * 9/1977 Kinsinger D16/221
 D277,665 S * 2/1985 Genaro D14/149
 D285,128 S * 8/1986 Yuen D28/77
 D301,771 S * 6/1989 Bakic D28/76
 D306,519 S * 3/1990 Nakata D3/206
 D309,728 S * 8/1990 Nuttall D14/356
 D332,839 S * 1/1993 Beckner, Jr. D26/37
 D338,976 S * 8/1993 Miley, Jr. D26/42
 D339,806 S * 9/1993 Grinkus D14/217
 D361,633 S * 8/1995 Chabria D26/37
 5,568,006 A * 10/1996 Luff H03H 9/1021
 310/340
 D383,732 S * 9/1997 Haley D14/435
 D390,989 S * 2/1998 Zeller D26/60
 5,736,271 A * 4/1998 Cisar H01M 2/1055
 361/730
 D395,723 S * 6/1998 Zeller D26/60
 D397,465 S * 8/1998 Yuri D26/38
 D397,466 S * 8/1998 Conley D26/38
 D409,975 S * 5/1999 Zeller D13/103
 D411,767 S * 7/1999 Keller D28/83
 D418,239 S * 12/1999 Zeller D26/60
 D432,523 S * 10/2000 Grinkus D14/217
 D446,499 S * 8/2001 Andre D13/110
 D480,372 S * 10/2003 Chen D14/203.3
 D490,796 S * 6/2004 Allen D14/260
 D508,018 S * 8/2005 Yokota D13/103
 7,004,780 B1 * 2/2006 Wang H01R 13/60
 361/752
 D518,584 S * 4/2006 Chan D26/37
 D520,502 S * 5/2006 Xu D14/356
 D520,994 S * 5/2006 Weiher D14/356
 D520,996 S * 5/2006 Deng D14/480.5
 D531,178 S * 10/2006 Lee D14/367
 D538,222 S * 3/2007 Curello D13/103
 D538,260 S * 3/2007 Wada D14/188
 D539,456 S * 3/2007 Sassoon D26/37
 D542,784 S * 5/2007 Franck D14/240

D542,788 S * 5/2007 Gutmann D14/480.5
 7,230,822 B2 * 6/2007 Langberg G11B 33/122
 248/917
 D547,295 S * 7/2007 Park D14/138 AB
 D574,014 S * 7/2008 Dai D14/496
 D574,810 S * 8/2008 Tanaka D14/214
 D576,100 S * 9/2008 Wang D13/110
 D577,664 S * 9/2008 Matsui D13/107
 7,429,432 B2 * 9/2008 Koza H01M 2/1066
 429/100
 D578,119 S * 10/2008 Camarena D14/368
 D578,960 S * 10/2008 Fisher D13/108
 D579,915 S * 11/2008 Yeo D14/214
 D579,931 S * 11/2008 Chang D14/242
 D580,435 S * 11/2008 Huang D14/356
 D581,873 S * 12/2008 Zhou D13/139.6
 D582,419 S * 12/2008 Sheba D14/480.5
 D584,744 S * 1/2009 Lee D14/496
 D585,077 S * 1/2009 Sheba D14/434
 D585,367 S * 1/2009 Dunbar D13/108
 D586,738 S * 2/2009 Zarembo
 D586,740 S * 2/2009 Song D13/103
 D590,334 S * 4/2009 Tatehata D13/103
 D590,336 S * 4/2009 Tatehata D13/103
 D590,337 S * 4/2009 Tatehata D13/103
 D590,389 S * 4/2009 Musgrave D14/349
 D590,769 S * 4/2009 Tatehata D13/103
 D590,826 S * 4/2009 Andre D14/341
 D592,130 S * 5/2009 Tatehata D13/103
 D593,940 S * 6/2009 Nomi D13/103
 D594,002 S * 6/2009 Kettula D14/240
 D596,634 S * 7/2009 Wong D14/358
 D601,494 S * 10/2009 Otani D13/103
 D602,186 S * 10/2009 Lee D26/37
 D611,470 S * 3/2010 Andre D14/341
 D612,329 S * 3/2010 Guccione D13/108
 D617,268 S * 6/2010 Yen D13/108
 D623,590 S * 9/2010 Otani D13/103
 D630,941 S * 1/2011 Paredes D9/430
 D631,458 S * 1/2011 Liao D14/138 G
 D631,829 S * 2/2011 Onnerud D13/103
 D631,832 S * 2/2011 Onnerud D13/103
 D631,833 S * 2/2011 Onnerud D13/103
 D631,838 S * 2/2011 Cheng D13/108
 D631,885 S * 2/2011 Maier D14/435.1
 D638,385 S * 5/2011 Wong D14/125
 D639,736 S * 6/2011 Su D13/110
 D642,585 S * 8/2011 Lan D14/480.5
 D642,999 S * 8/2011 Wan D14/125
 D644,988 S * 9/2011 Finney D13/103
 D645,814 S * 9/2011 Otani D13/103
 D646,222 S * 10/2011 Tatehata D13/103
 D648,690 S * 11/2011 Snodgrass D14/125
 D650,737 S * 12/2011 Hamilton D13/103
 D650,738 S * 12/2011 Leung D13/107
 D651,564 S * 1/2012 Workman D13/108
 D653,250 S * 1/2012 Gehrke D14/257
 D654,016 S * 2/2012 Neidhart D13/103
 D654,429 S * 2/2012 Li D13/103
 D656,124 S * 3/2012 Smith D14/204
 D656,496 S * 3/2012 Andre D14/341
 D659,094 S * 5/2012 Brand D13/108
 D662,636 S * 6/2012 Katsaros D26/60
 D665,347 S * 8/2012 Chen D13/108
 D665,734 S * 8/2012 Fitch D13/107
 D665,735 S * 8/2012 Kang D13/108
 D669,427 S * 10/2012 Ignor D13/103
 D670,297 S * 11/2012 Huang D14/480.5
 D672,309 S * 12/2012 Tien D13/108
 D676,380 S * 2/2013 Sun D13/108
 D680,068 S * 4/2013 Lee D13/108
 D682,196 S * 5/2013 Leung D13/103
 D682,197 S * 5/2013 Leung D13/103
 D682,777 S * 5/2013 Gupta D13/103
 8,446,711 B2 * 5/2013 Liao H04M 1/0283
 361/679.01
 D684,114 S * 6/2013 Otani D13/103
 D684,916 S * 6/2013 Ashida D12/332
 D685,320 S * 7/2013 Murchison D13/107

FIG. 1

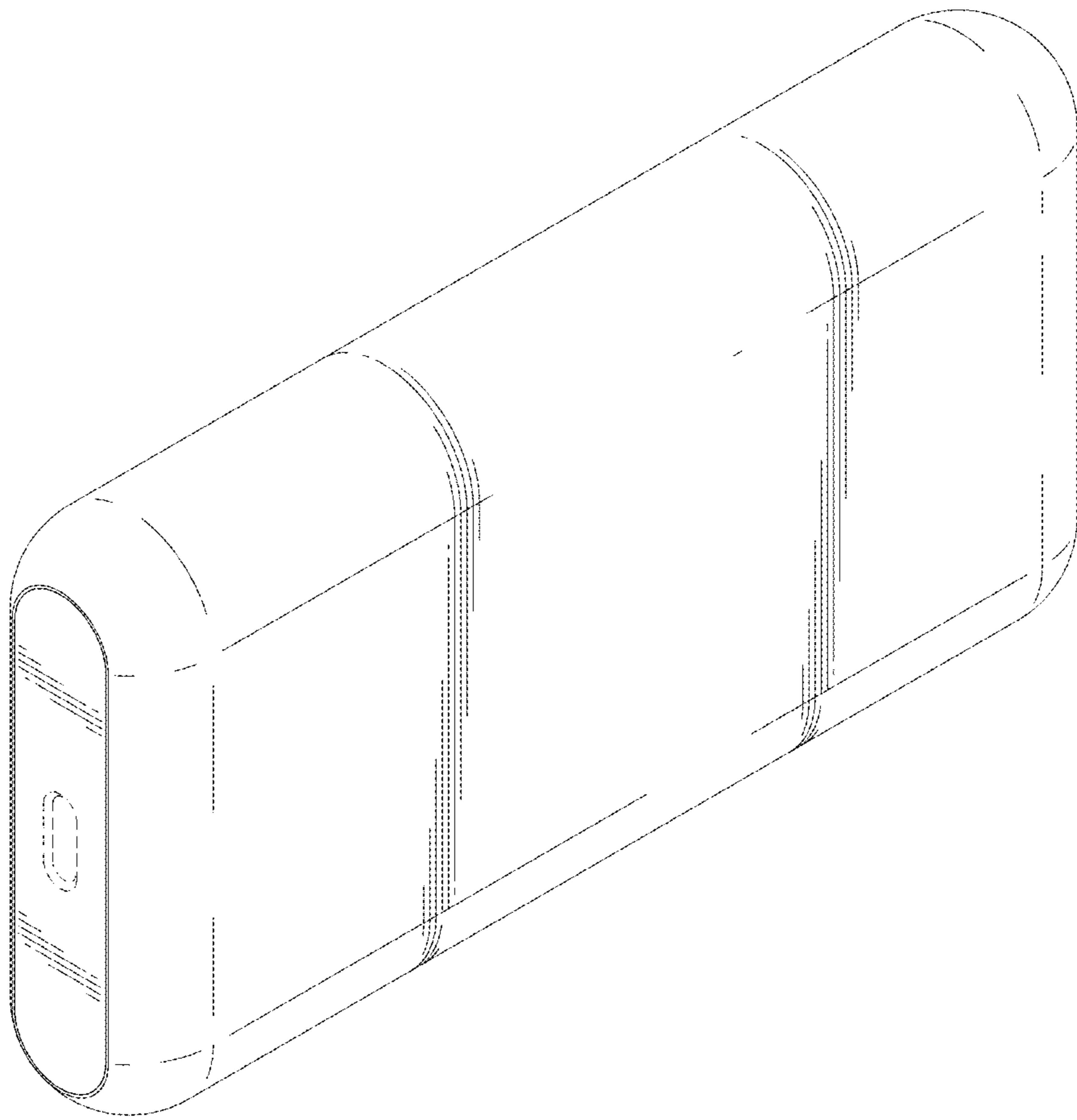


FIG. 2

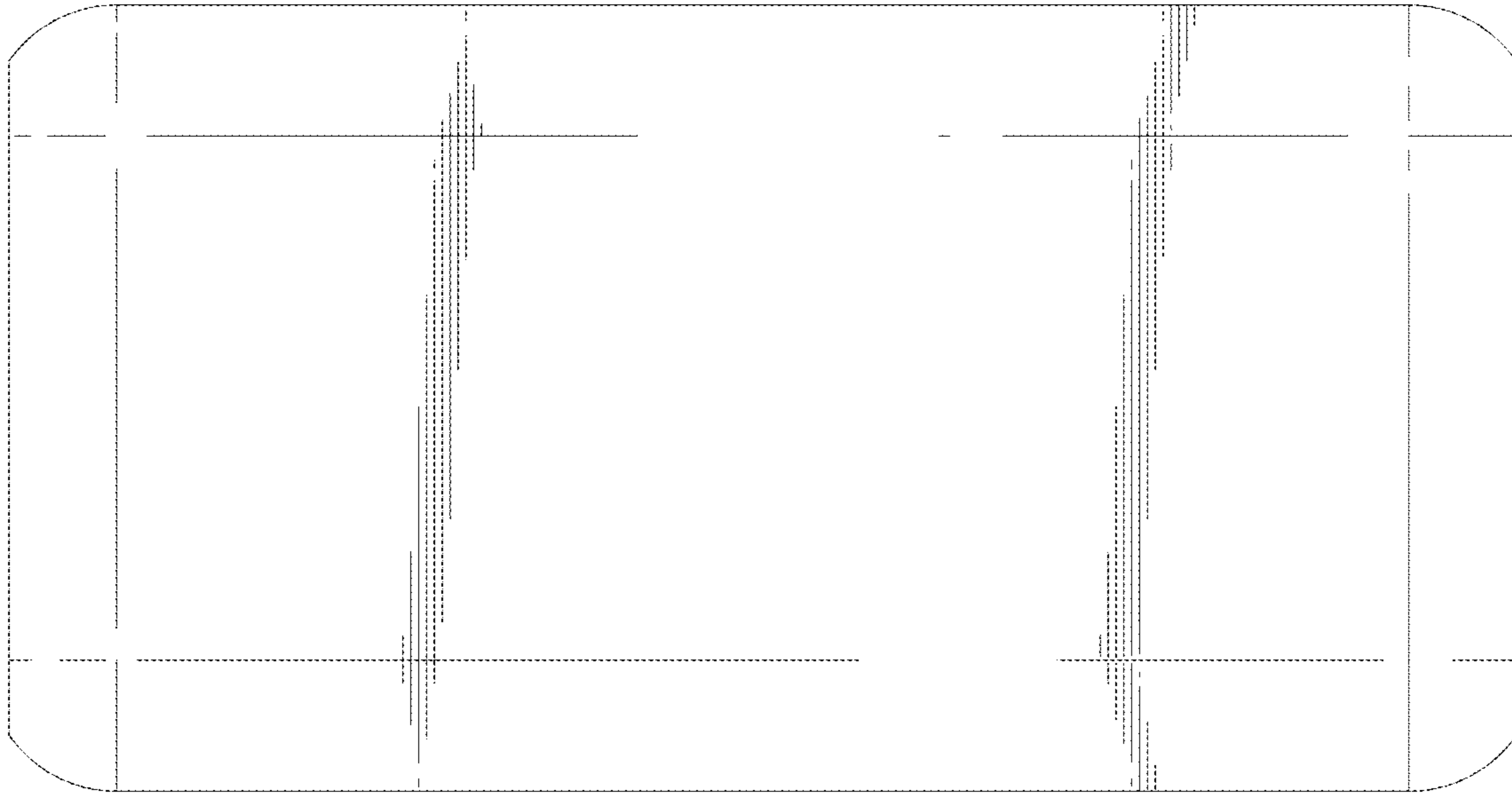


FIG. 3

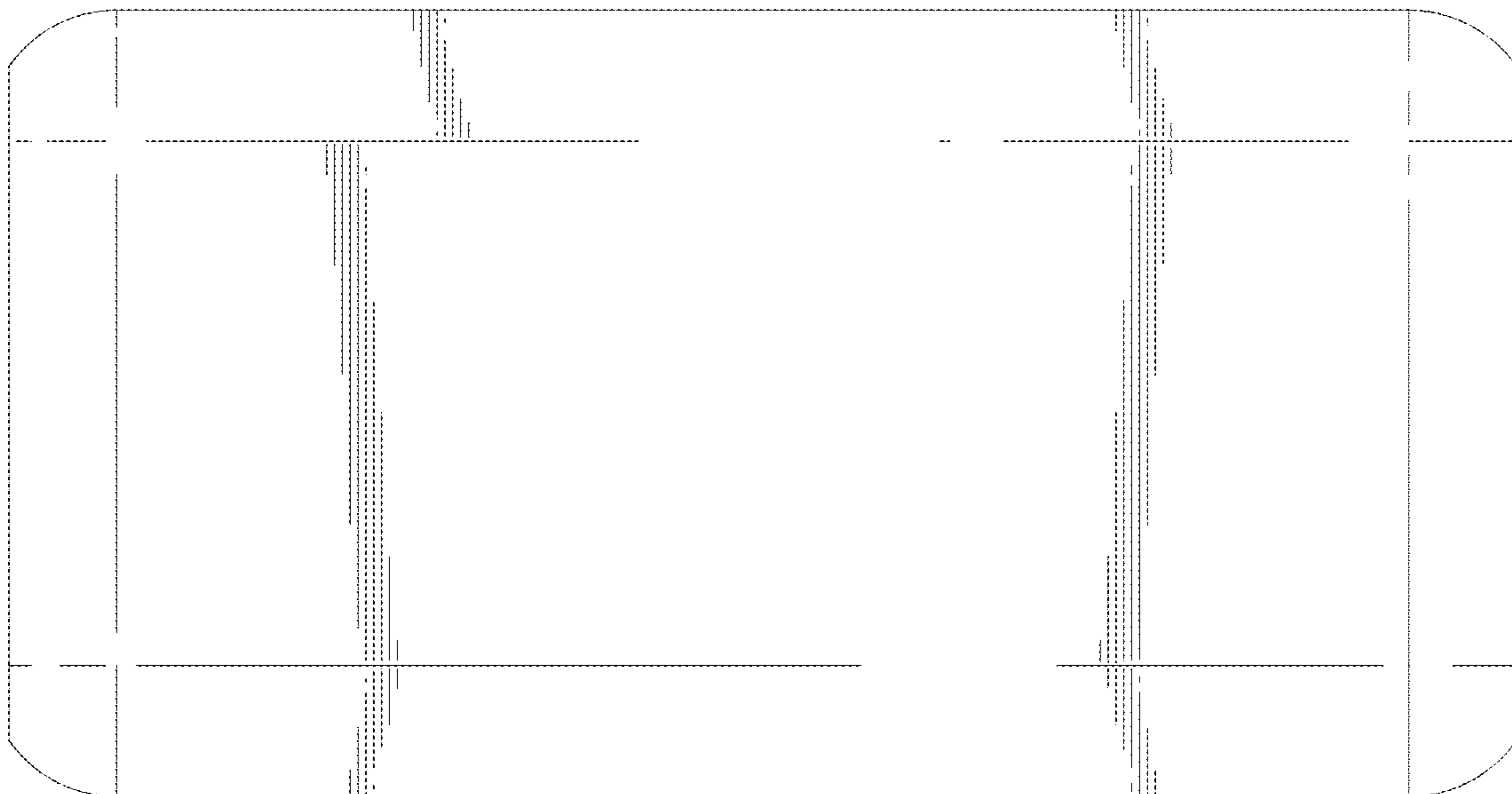


FIG. 4

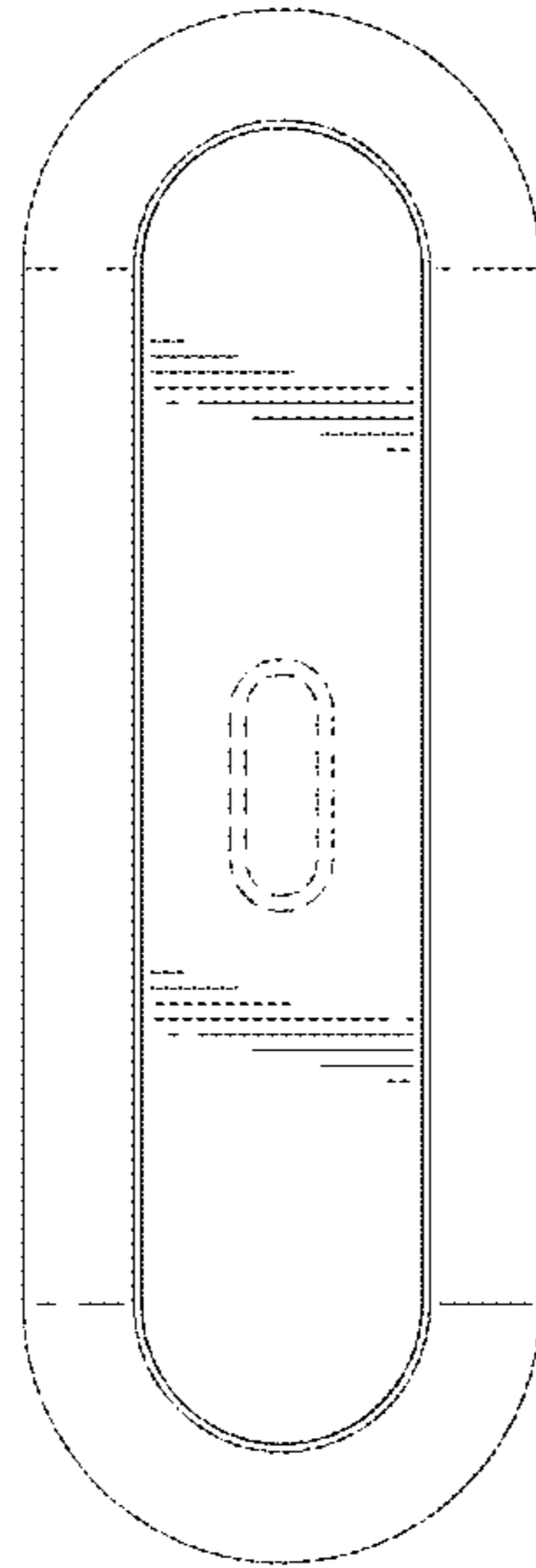


FIG. 5

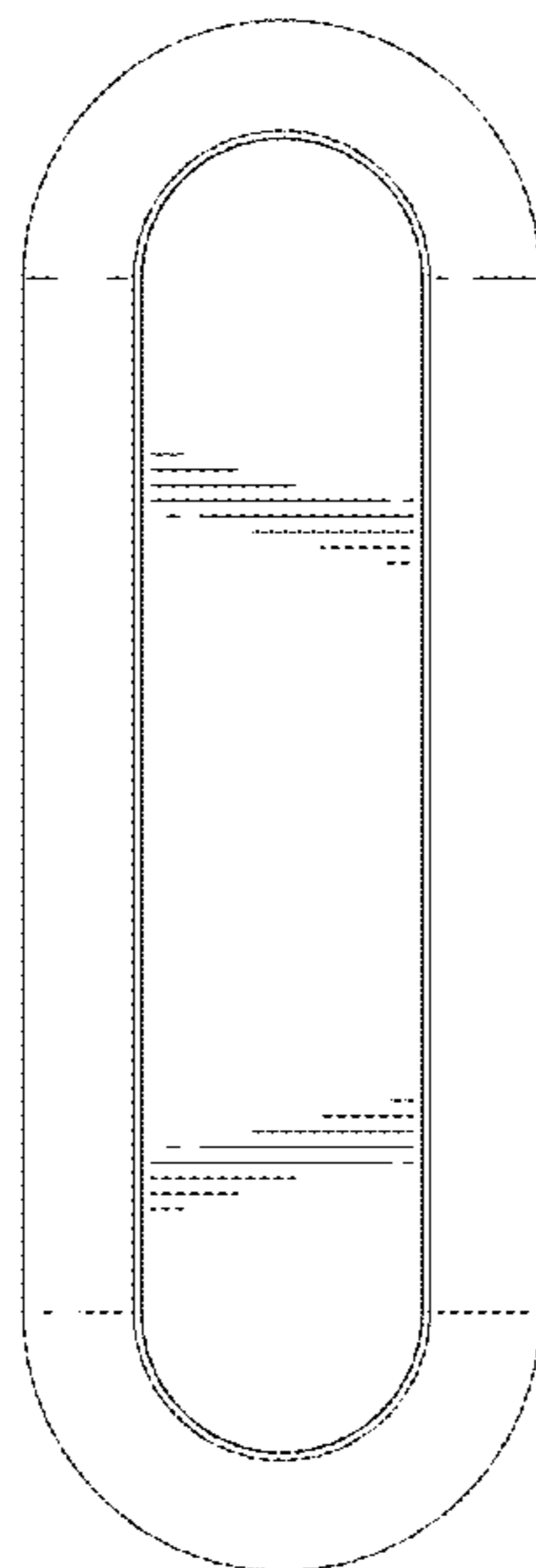


FIG. 6



FIG. 7

