



US00D892123S

(12) **United States Design Patent** (10) **Patent No.:** **US D892,123 S**
Campbell et al. (45) **Date of Patent:** **** Aug. 4, 2020**

(54) **DOCK FOR A PORTABLE ELECTRONIC DEVICE**

5,347,425 A 9/1994 Herron et al.
5,351,508 A 10/1994 Kelley
5,457,745 A 10/1995 Wang
5,477,415 A 12/1995 Mitcham et al.

(71) Applicant: **ACCO Brands Corporation**, Lake Zurich, IL (US)

(Continued)

(72) Inventors: **Erik J. Campbell**, San Francisco, CA (US); **Brian Bautista**, South San Francisco, CA (US); **Ben Thacker**, San Mateo, CA (US)

FOREIGN PATENT DOCUMENTS

CA 2291365 A1 5/2001
GB 2286630 A 8/1995

(Continued)

(73) Assignee: **ACCO Brands Corporation**, Lake Zurich, IL (US)

OTHER PUBLICATIONS

(**) Term: **15 Years**

This dock turns a Surface Pro into a miniature Surface Studio. theverge.com(online) 3 pgs. Posted Jul. 18, 2018. [Retrieved on Aug. 12, 2019] <https://www.theverge.com/2018/7/18/17586096/kensington-surface-pro-dock-surface-studio-features>.*

(Continued)

(21) Appl. No.: **29/656,787**

(22) Filed: **Jul. 16, 2018**

(51) **LOC (12) Cl.** **14-02**

(52) **U.S. Cl.**
USPC **D14/434**

(58) **Field of Classification Search**
USPC D14/434, 356, 358, 447, 496, 149, 221, D14/224, 224.1, 238.1, 240, 251, 252, D14/253, 209.1, 217, 168, 172; D13/107, D13/108; D18/12, 4.4
CPC G06F 1/16; G06F 1/1616; G06F 1/1626; G06F 1/1632; G06F 1/1675; G06F 1/1688; F16M 11/10; F16M 11/24; H05K 5/0234; H04M 1/04

See application file for complete search history.

Primary Examiner — Marie D. Fast Horse
(74) *Attorney, Agent, or Firm* — Michael Best & Friedrich LLP

(57) **CLAIM**

We claim the ornamental design for a dock for a portable electronic device, as shown and described.

DESCRIPTION

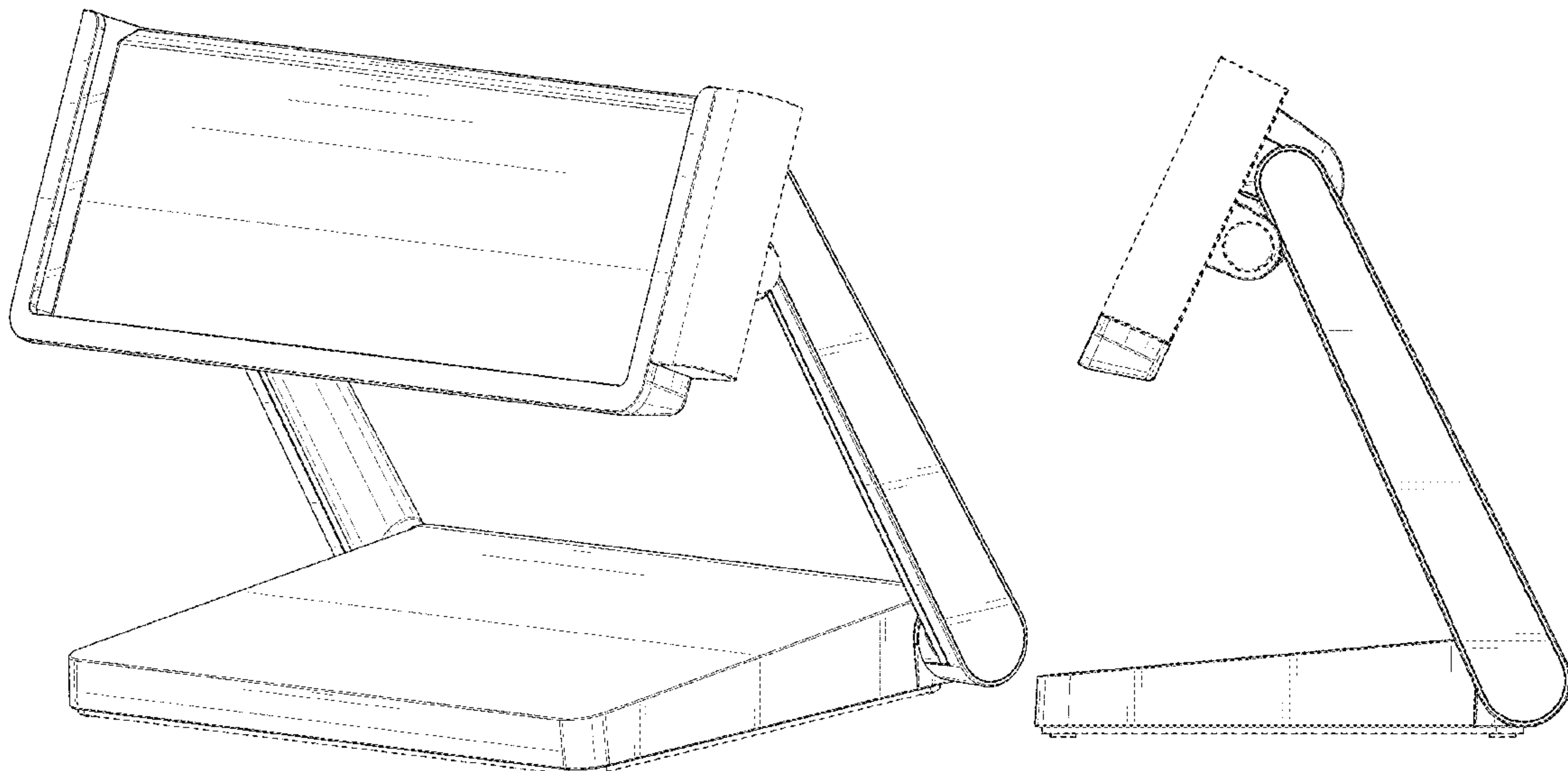
FIG. 1 is a perspective view of a dock for a portable electronic device embodying the invention. FIG. 2 is a first side view of the dock of FIG. 1. FIG. 3 is a second side view of the dock of FIG. 1. FIG. 4 is a front view of the dock of FIG. 1. FIG. 5 is a rear view of the dock of FIG. 1. FIG. 6 is a top view of the dock of FIG. 1; and, FIG. 7 is a bottom view of the dock of FIG. 1. Portions of the dock shown in broken lines are for illustrative purposes only and form no part of the claimed design.

(56) **References Cited**

U.S. PATENT DOCUMENTS

4,066,231 A 1/1978 Bahner et al.
4,453,692 A 6/1984 LeDoux et al.
4,918,954 A 4/1990 Stickel et al.
5,052,199 A 10/1991 Derman
5,076,079 A 12/1991 Monoson et al.
5,162,976 A 11/1992 Moore et al.

1 Claim, 7 Drawing Sheets



(56)

References Cited

U.S. PATENT DOCUMENTS

| | | | | | |
|--------------|---------|---------------------------|-------------------|---------|--|
| 5,553,824 A | 9/1996 | Dutra, Jr. | 8,602,224 B2 | 12/2013 | Casey |
| 5,582,044 A | 12/1996 | Bolich | 8,608,119 B2 | 12/2013 | Wolff et al. |
| D383,739 S * | 9/1997 | Gilgen D14/375 | 8,717,758 B2 | 5/2014 | Allen |
| 5,708,561 A | 1/1998 | Huilgol et al. | 8,749,963 B2 | 6/2014 | Staats et al. |
| 5,751,548 A | 5/1998 | Hall et al. | 8,814,128 B2 | 8/2014 | Trinh et al. |
| 5,790,375 A | 8/1998 | Lee | 8,837,144 B1 | 9/2014 | Allen |
| 5,816,076 A | 10/1998 | Biedermann et al. | 8,842,011 B2 | 9/2014 | Casey |
| 5,818,691 A | 10/1998 | McMahan et al. | 8,851,565 B2 | 10/2014 | Hontz et al. |
| 5,870,283 A | 2/1999 | Maeda et al. | 8,867,202 B2 | 10/2014 | Williams |
| D410,447 S * | 6/1999 | Chang D14/375 | 8,882,069 B2 | 11/2014 | Mahaffey |
| 5,921,697 A | 7/1999 | Karl et al. | 9,030,828 B2 | 5/2015 | Lindblad et al. |
| 5,946,186 A | 8/1999 | Karl et al. | 9,032,766 B2 | 5/2015 | Su |
| 5,948,074 A | 9/1999 | Ninomiya | D731,490 S * | 6/2015 | Kim D14/434 |
| 6,002,921 A | 12/1999 | Pfahlert et al. | 9,105,166 B1 | 8/2015 | Kelsch et al. |
| 6,006,557 A | 12/1999 | Carl et al. | 9,128,671 B2 | 9/2015 | Lee |
| 6,034,869 A | 3/2000 | Lin | 9,163,433 B2 | 10/2015 | Sedon |
| 6,072,695 A | 6/2000 | Steiger et al. | D742,383 S * | 11/2015 | Zheng D14/434 |
| 6,115,247 A | 9/2000 | Helot | D742,886 S * | 11/2015 | Zheng D14/434 |
| 6,125,669 A | 10/2000 | McDaid et al. | 9,194,532 B2 | 11/2015 | Bisesti et al. |
| 6,138,483 A | 10/2000 | Galant | 9,206,626 B2 | 12/2015 | Allen |
| 6,185,095 B1 | 2/2001 | Helot et al. | 9,220,358 B2 | 12/2015 | Wheeler et al. |
| 6,212,921 B1 | 4/2001 | Knighton | D750,631 S * | 3/2016 | Kim D14/434 |
| 6,216,499 B1 | 4/2001 | Ronberg et al. | 9,274,556 B2 | 3/2016 | Gallouzi et al. |
| 6,220,883 B1 | 4/2001 | Helot et al. | 9,291,299 B2 | 3/2016 | Richard et al. |
| 6,298,695 B1 | 10/2001 | Vezina et al. | 9,304,548 B2 | 4/2016 | Chen et al. |
| 6,308,928 B1 | 10/2001 | Galant | 9,410,344 B2 | 8/2016 | Stacey et al. |
| 6,331,934 B1 | 12/2001 | Helot et al. | D771,052 S * | 11/2016 | Zheng D14/434 |
| 6,393,879 B1 | 5/2002 | William | 9,562,375 B2 | 2/2017 | Allen |
| 6,426,872 B1 | 7/2002 | Sutton et al. | 9,568,141 B1 | 2/2017 | Zaloom |
| 6,443,417 B2 | 9/2002 | Galant | 9,581,286 B2 | 2/2017 | Hansen |
| 6,484,544 B1 | 11/2002 | Wing | 9,663,977 B2 | 5/2017 | Vroom |
| 6,490,154 B2 | 12/2002 | Thompson | D792,414 S * | 7/2017 | Floersch D14/447 |
| 6,560,710 B1 | 5/2003 | Leyden et al. | 9,727,092 B1 | 8/2017 | Gerbus et al. |
| 6,581,420 B1 | 6/2003 | Ling et al. | D803,827 S * | 11/2017 | Escolin D14/336 |
| 6,595,423 B2 | 7/2003 | Cho et al. | 9,811,118 B2 | 11/2017 | Vroom et al. |
| 6,615,993 B1 | 9/2003 | Rudiger | 9,820,404 B1 | 11/2017 | Wu et al. |
| 6,711,921 B1 | 3/2004 | Yang | 9,898,041 B2 | 2/2018 | Blowers et al. |
| 6,744,627 B2 | 6/2004 | Won et al. | 10,125,523 B2 | 11/2018 | Allen |
| 6,763,690 B2 | 7/2004 | Galant | 10,222,835 B2 | 3/2019 | Lim et al. |
| 6,796,536 B1 | 9/2004 | Sevier, IV | 10,443,274 B2 | 10/2019 | Allen |
| 6,848,662 B2 | 2/2005 | Paramonoff et al. | 10,485,312 B2 | 11/2019 | Rodriguez |
| 6,856,506 B2 | 2/2005 | Doherty et al. | 2003/0235029 A1 | 12/2003 | Doherty et al. |
| 6,883,694 B2 | 4/2005 | Abelow | 2004/0007651 A1 | 1/2004 | Williams et al. |
| 6,913,238 B2 | 7/2005 | Bakker et al. | 2004/0040350 A1 | 3/2004 | Derman |
| 6,967,836 B2 | 11/2005 | Huang et al. | 2004/0065126 A1 | 4/2004 | Yang |
| 7,007,912 B1 | 3/2006 | Giuliani et al. | 2004/0177658 A1 | 9/2004 | Mitchell |
| 7,032,872 B2 | 4/2006 | Sullivan | 2004/0233631 A1 | 11/2004 | Lord |
| 7,174,752 B2 | 2/2007 | Galant | 2005/0039502 A1 | 2/2005 | Avganim |
| 7,227,747 B2 | 6/2007 | Walker et al. | 2005/0077448 A1 | 4/2005 | Rossini |
| 7,315,443 B2 | 1/2008 | Allen | 2006/0066438 A1 | 3/2006 | Altounian et al. |
| 7,324,333 B2 | 1/2008 | Allen | 2006/0256512 A1 * | 11/2006 | Esther Kang G06F 1/162 361/679.05 |
| 7,443,665 B2 | 10/2008 | Allen | 2010/0007613 A1 | 1/2010 | Costa |
| D587,712 S * | 3/2009 | Park D14/375 | 2010/0079285 A1 | 4/2010 | Fawcett et al. |
| 7,506,592 B2 | 3/2009 | Rossini | 2010/0147041 A1 | 6/2010 | Teicher et al. |
| D589,964 S * | 4/2009 | Heggland D14/434 | 2010/0195294 A1 * | 8/2010 | Sakata F16M 11/10 361/749 |
| 7,566,033 B2 | 7/2009 | Schwager et al. | 2011/0143583 A1 | 6/2011 | Zilmer et al. |
| D599,801 S * | 9/2009 | Skaf D14/434 | 2011/0179834 A1 | 7/2011 | Mahaffey et al. |
| D602,938 S * | 10/2009 | Ward D14/434 | 2011/0185776 A1 | 8/2011 | Mahaffey et al. |
| 7,614,264 B2 | 11/2009 | McGettrick | 2012/0026684 A1 | 2/2012 | Matthews |
| 7,679,902 B2 | 3/2010 | Thompson | 2012/0103863 A1 | 5/2012 | Perez et al. |
| 7,724,520 B2 | 5/2010 | Allen | 2012/0127651 A1 | 5/2012 | Kwon et al. |
| 7,787,242 B2 | 8/2010 | Schwager et al. | 2012/0170194 A1 | 7/2012 | Lord et al. |
| 7,817,415 B2 | 10/2010 | Chuang | 2012/0175474 A1 | 7/2012 | Barnard et al. |
| D642,123 S * | 7/2011 | Joung D13/108 | 2012/0188689 A1 | 7/2012 | Leung |
| 8,061,164 B2 | 11/2011 | Johnston et al. | 2012/0307448 A1 | 12/2012 | Allen |
| 8,139,356 B2 | 3/2012 | Allen | 2013/0026322 A1 | 1/2013 | Wheeler et al. |
| 8,171,762 B2 | 5/2012 | Hsiao et al. | 2013/0107126 A1 | 5/2013 | Nonomura et al. |
| 8,185,681 B2 | 5/2012 | Downing et al. | 2013/0277520 A1 | 10/2013 | Funk et al. |
| 8,223,488 B2 | 7/2012 | Peter | 2013/0301216 A1 | 11/2013 | Trinh et al. |
| D673,567 S * | 1/2013 | Yang D14/434 | 2014/0118930 A1 | 5/2014 | Sedon |
| 8,369,082 B2 | 2/2013 | Madonna et al. | 2014/0168884 A1 | 6/2014 | Wylie |
| 8,405,974 B2 | 3/2013 | Sayavong | 2015/0002998 A1 * | 1/2015 | Arima G06F 1/1637 361/679.27 |
| 8,418,514 B1 | 4/2013 | Su | 2015/0072555 A1 | 3/2015 | Riddiford et al. |
| D685,797 S * | 7/2013 | Fahrendorff D14/434 | 2015/0076188 A1 | 3/2015 | Venida et al. |
| 8,508,932 B2 | 8/2013 | Duval | 2015/0083885 A1 | 3/2015 | Mahaffey et al. |
| | | | 2015/0192929 A1 | 7/2015 | Rihn et al. |

(56)

References Cited

U.S. PATENT DOCUMENTS

2015/0220113 A1 8/2015 Zhao et al.
 2015/0279535 A1 10/2015 Arrington et al.
 2015/0292669 A1 10/2015 Floersch et al.
 2016/0020805 A1 1/2016 Fan
 2016/0161045 A1 6/2016 Lee et al.
 2016/0299540 A1 10/2016 Kim et al.
 2016/0372856 A1 12/2016 DeMeulenaere et al.
 2017/0051538 A1 2/2017 Kobayashi et al.
 2017/0247916 A1 8/2017 Kao et al.
 2017/0300082 A1* 10/2017 Park G06F 1/1681
 2018/0031174 A1* 2/2018 Sanders F16M 11/10
 2019/0078355 A1 3/2019 Allen
 2019/0196534 A1* 6/2019 Tseng G06F 1/1637
 2019/0234553 A1* 8/2019 Hallar F16M 11/10
 2019/0281715 A1* 9/2019 Bautista G06F 1/1632

FOREIGN PATENT DOCUMENTS

GB 2300879 A 11/1996
 JP H07334265 A 12/1995
 JP H10143279 A 5/1998
 JP H10198459 A 7/1998
 JP H11272363 A 10/1999
 JP 2000333799 A 12/2000
 JP 2001344036 A 12/2001
 JP 2003000405 A 1/2003
 JP 2003044173 A 2/2003
 JP 3101784 U 6/2004
 KR 1998-0018730 U 7/1998
 KR 2004-0005519 A 1/2004

KR 2004-0108174 A 12/2004
 WO 2002035037 A1 5/2002
 WO 2018048436 A1 3/2018

OTHER PUBLICATIONS

Acer, "Aspire R 13 Laptops," <<https://www.acer.com/ac/en/US/content/series/aspirer13>> webpage publically available at least as early as Jan. 15, 2016.
 Dell, "XPS 12 Ultrabook Convertible," <<https://www.dell.com/en-us/shop/cty/pdp/spd/xps-12-I221x>> webpage publically available at least as early as Sep. 5, 2017.
 Microsoft, "Surface Studio," <<https://www.microsoft.com/en-us/surface/devices/surface-studio/overview>> webpage publically available at least as early as Oct. 29, 2016.
 SFGATE, "This Handheld Computer Has Style / Vadem's Clio sells for \$999, goes from laptop to digital tablet," <<https://www.sfgate.com/business/article/This-Handheld-Computer-Has-Style-Vadem-s-Clio-2978836.php>> webpage publically available at least as early as Nov. 12, 1998.
 Think Products Inc., "First Amended Complaint for Patent Infringement", United States District Court for the Northern District of Illinois Eastern Division, Nov. 14, 2019 (14 pages).
 Levin, "Alesis iO Dock II: What's up, Dock?", Audiofanzine <<https://en.audiofanzine.com/audio-or-midi-interface-for-tablet-device/alesis/io-dock-ii/editorial/reviews/what-s-up-dock.html>>, Jun. 8, 2014.
 Howse, "Quick Look: Kensington SD7000 Surface Pro Docking Station", AnandTech, <<https://www.anandtech.com/show/13725/quick-look-kensington-sd7000-surface-pro-docking-station>>, Dec. 17, 2018.

* cited by examiner

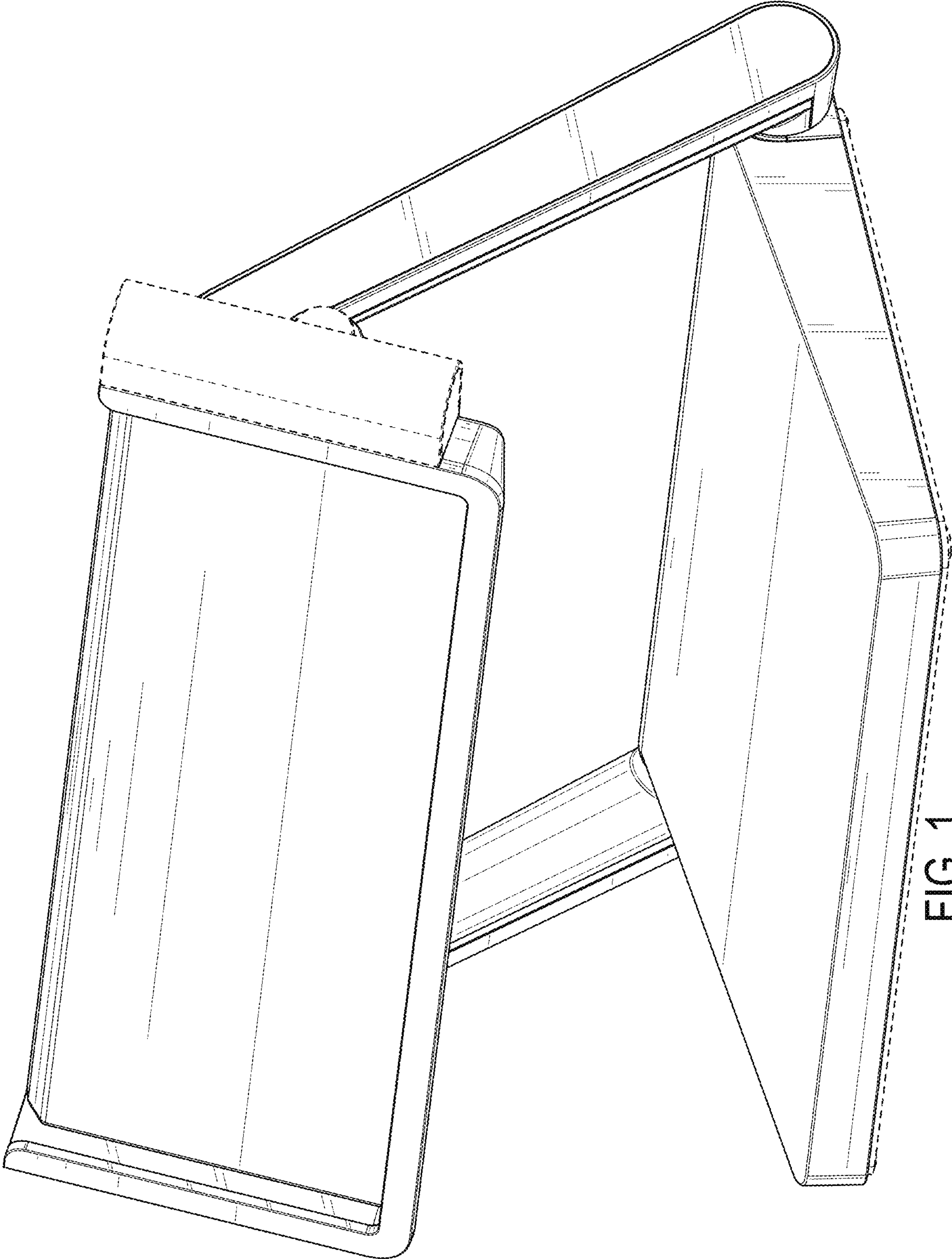


FIG. 1

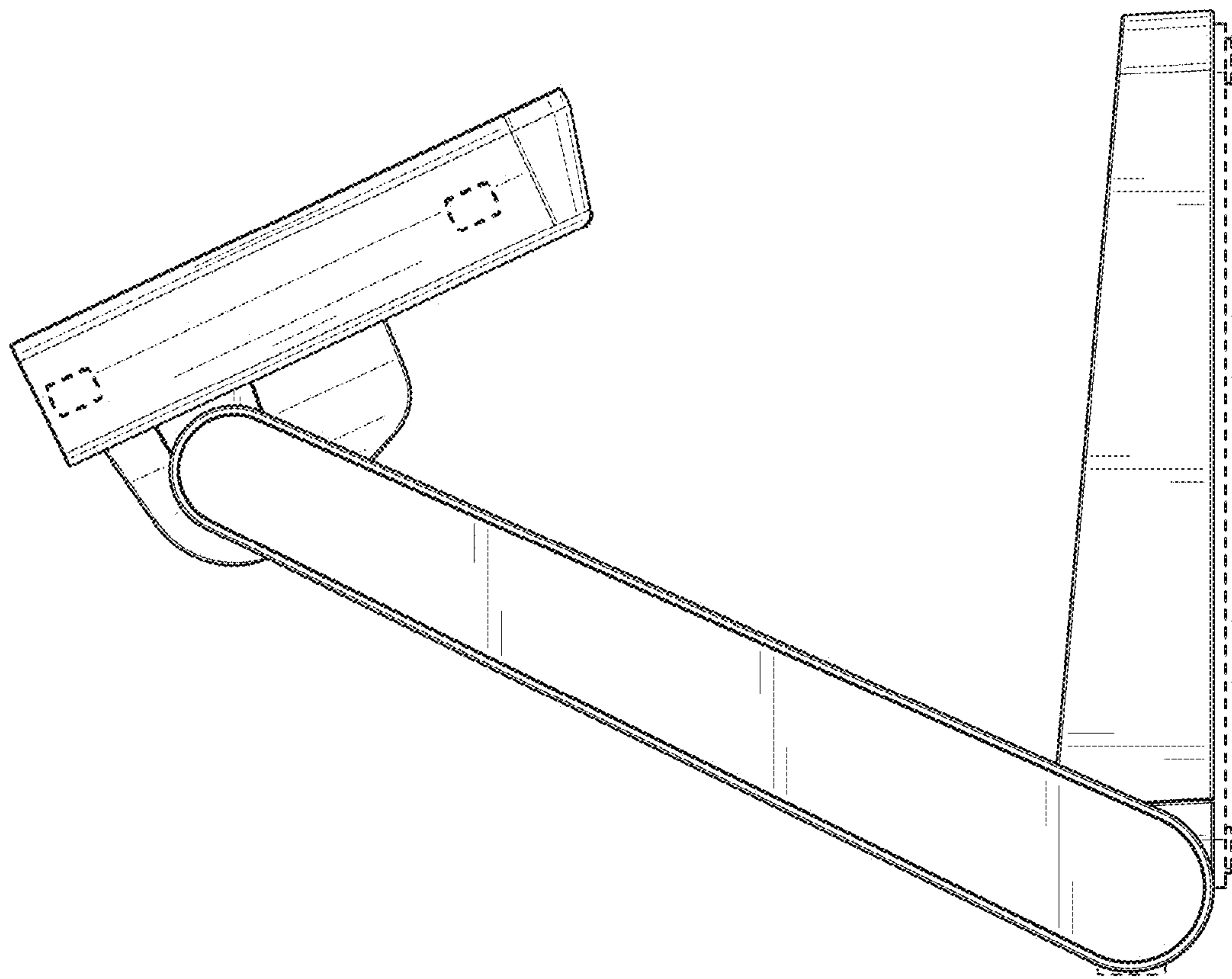


FIG. 2

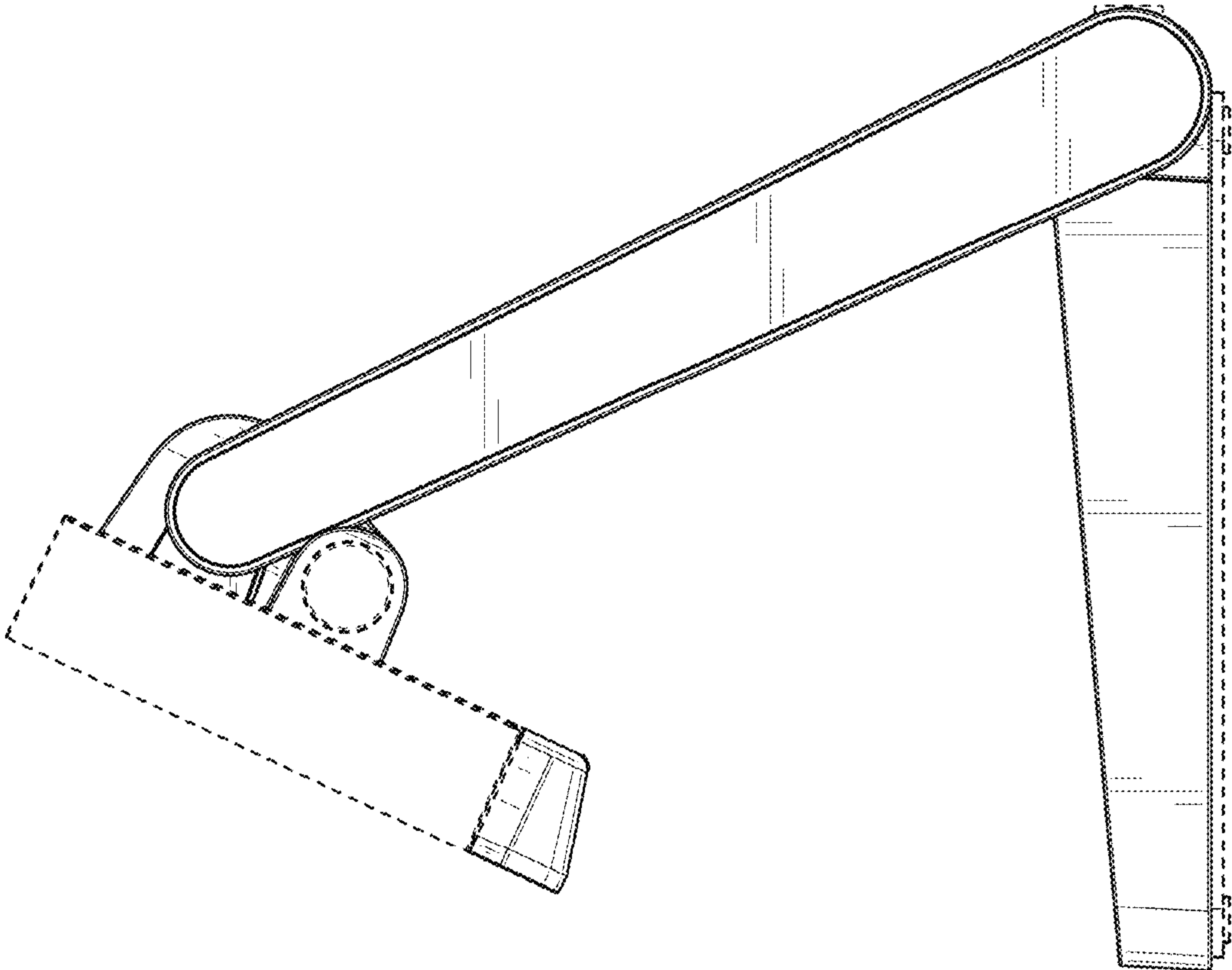


FIG. 3

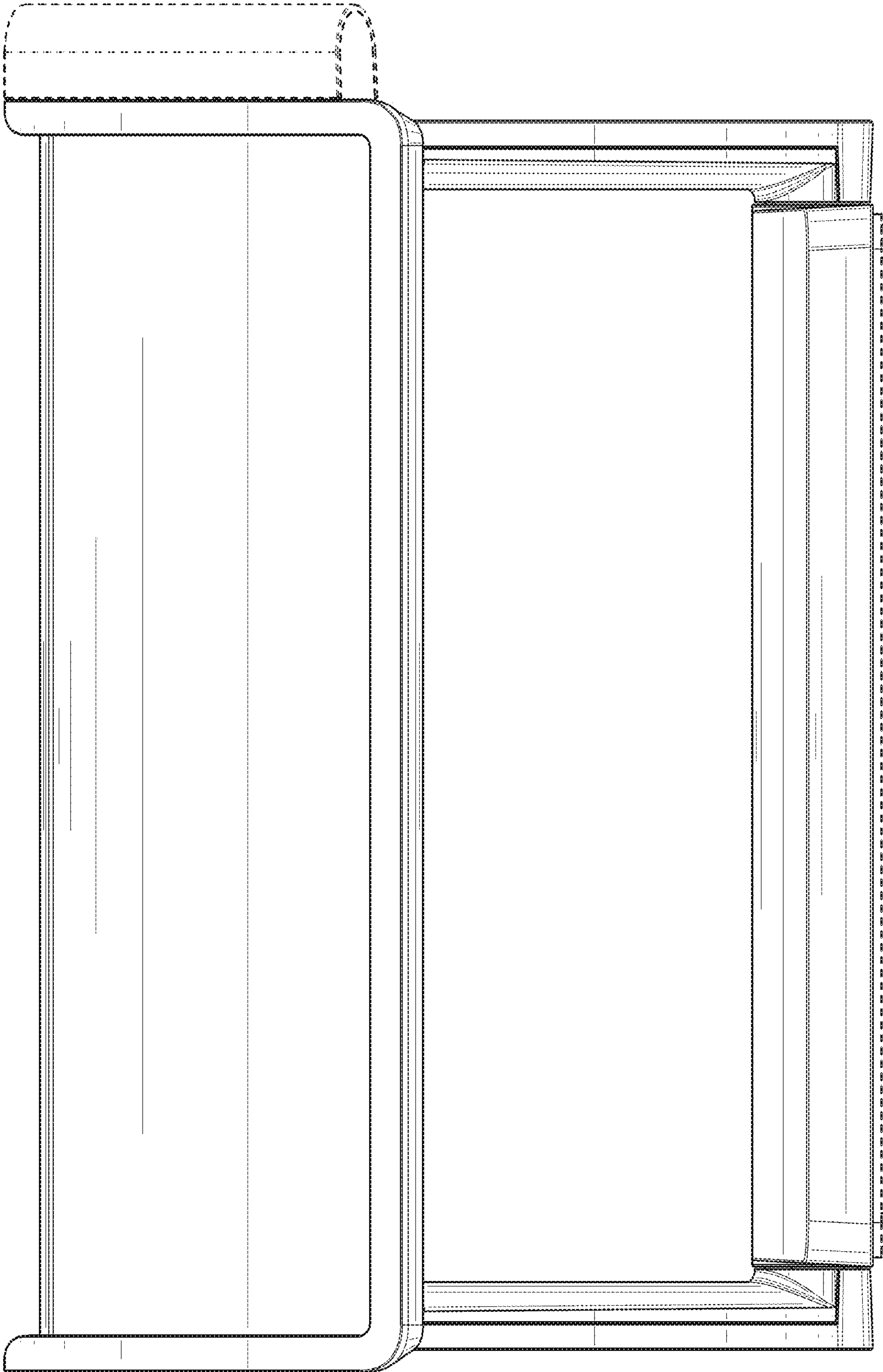


FIG. 4

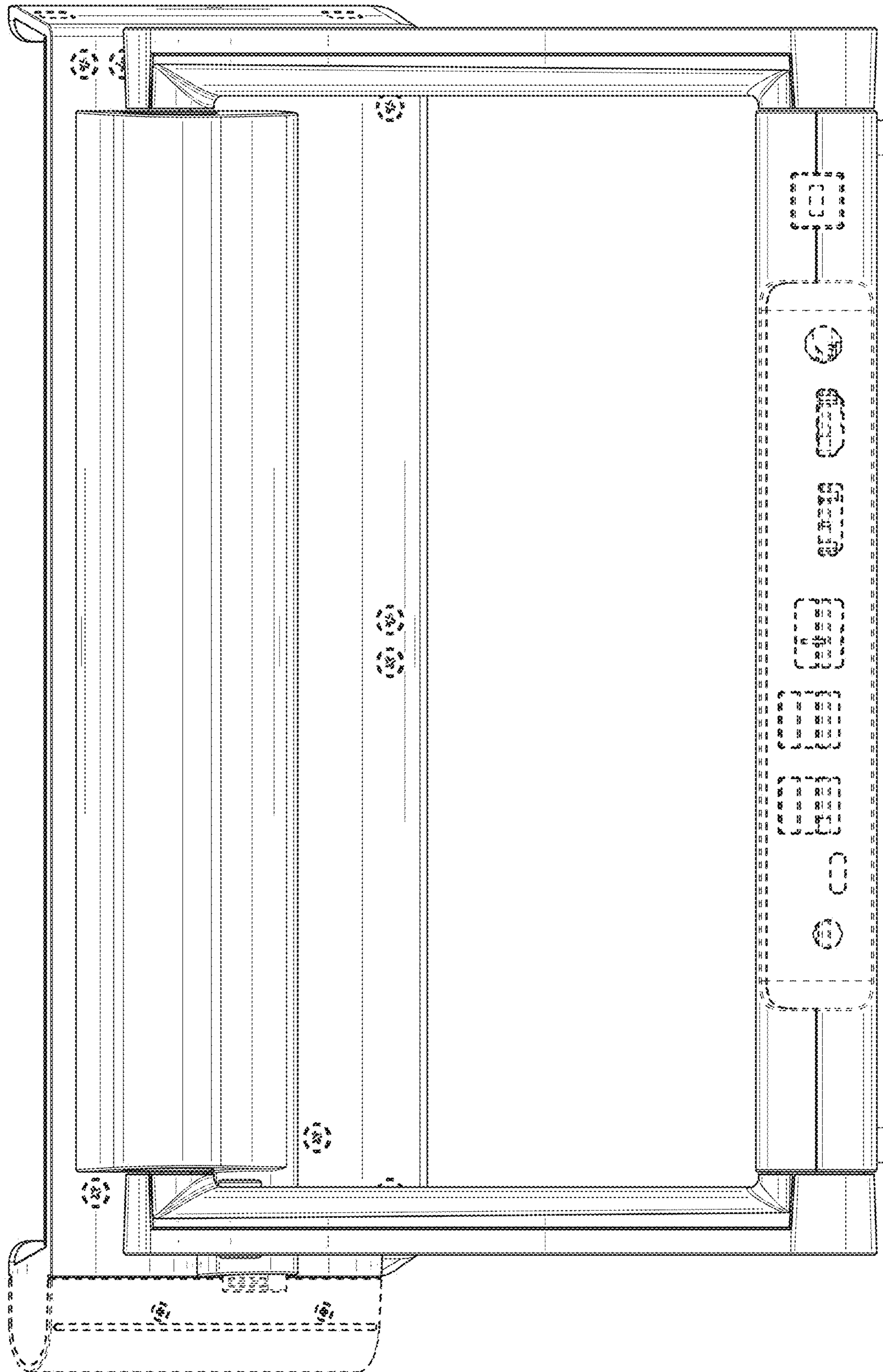


FIG. 5

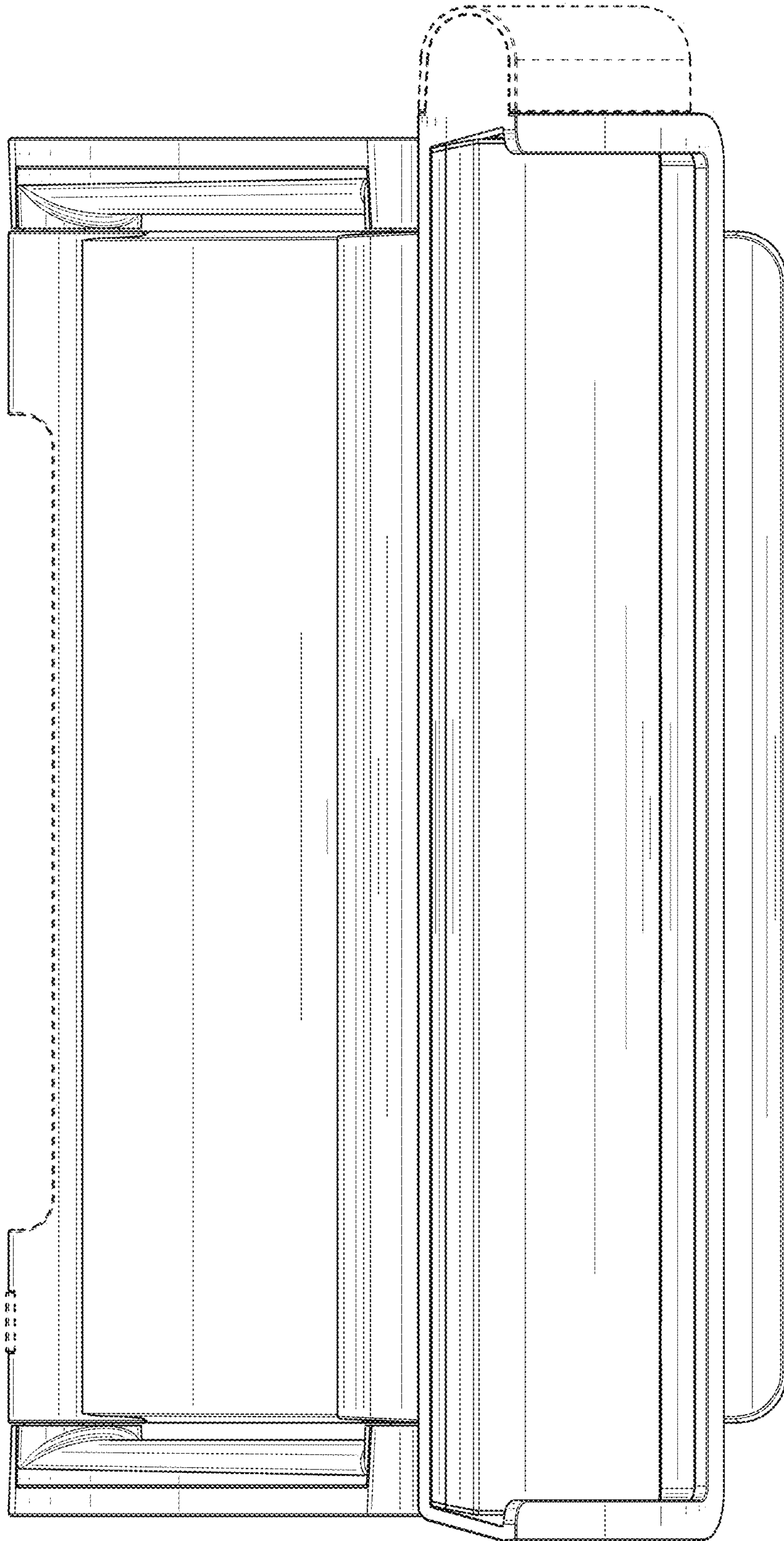


FIG. 6

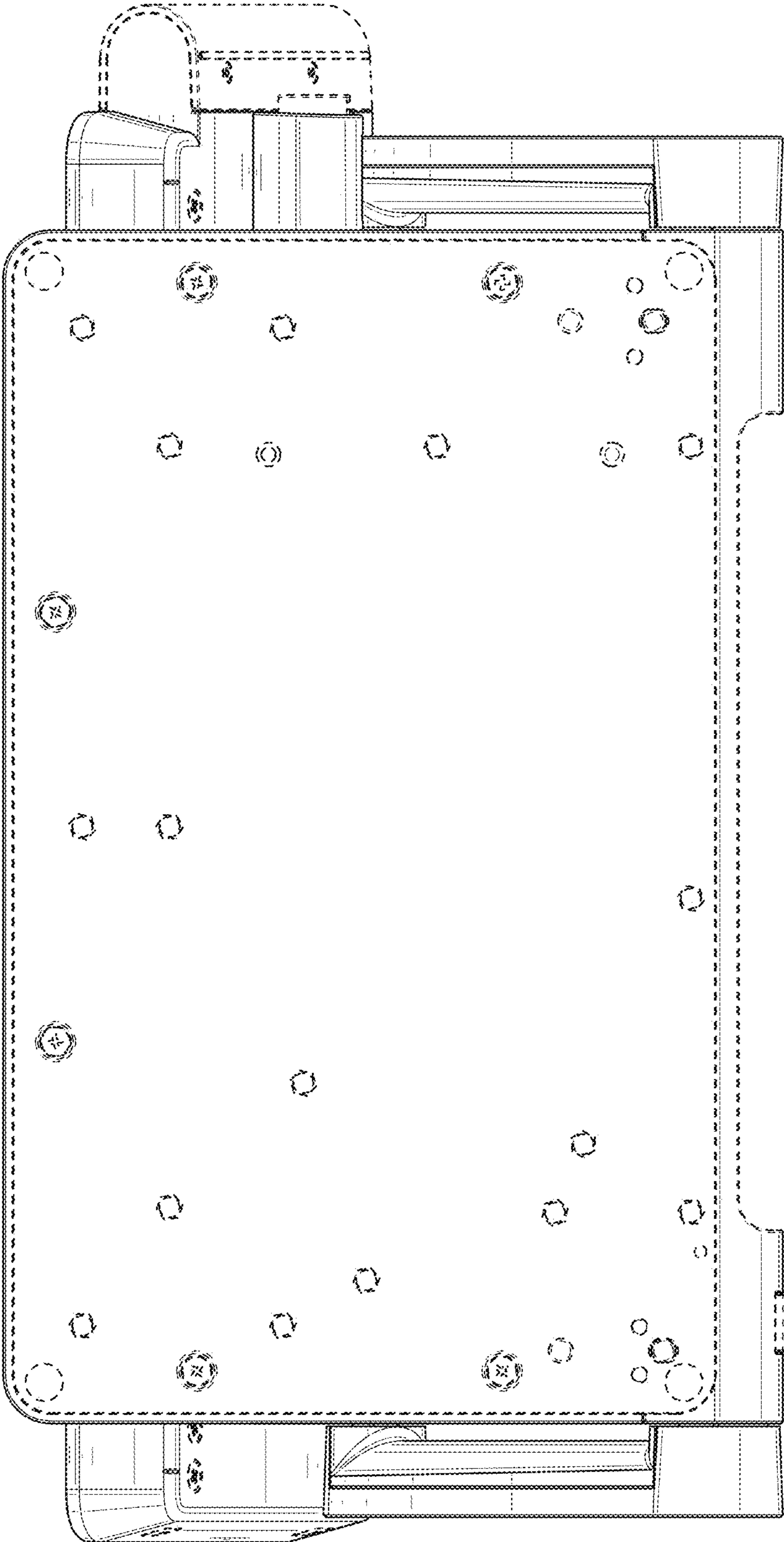


FIG. 7