

US00D892122S

(12) **United States Design Patent** (10) **Patent No.:** **US D892,122 S**
Akana et al. (45) **Date of Patent:** **** Aug. 4, 2020**

(54) **DOCK**

(71) Applicant: **Apple Inc.**, Cupertino, CA (US)

(72) Inventors: **Jody Akana**, San Francisco, CA (US); **Bartley K. Andre**, Palo Alto, CA (US); **Shota Aoyagi**, San Francisco, CA (US); **Anthony Michael Ashcroft**, San Francisco, CA (US); **Jeremy Bataillon**, San Francisco, CA (US); **Daniel J. Coster**, San Francisco, CA (US); **Daniele De Iuliis**, San Francisco, CA (US); **M. Evans Hankey**, San Francisco, CA (US); **Julian Hoenig**, San Francisco, CA (US); **Richard P. Howarth**, San Francisco, CA (US); **Jonathan P. Ive**, San Francisco, CA (US); **Duncan Robert Kerr**, San Francisco, CA (US); **Matthew Dean Rohrbach**, San Francisco, CA (US); **Peter Russell-Clarke**, San Francisco, CA (US); **Benjamin Andrew Shaffer**, San Jose, CA (US); **Mikael Silvanto**, San Francisco, CA (US); **Christopher J. Stringer**, Woodside, CA (US); **Eugene Antony Whang**, San Francisco, CA (US); **Rico Zörkendörfer**, San Francisco, CA (US)

(73) Assignee: **Apple Inc.**, Cupertino, CA (US)

(**) Term: **15 Years**

(21) Appl. No.: **29/633,341**

(22) Filed: **Jan. 12, 2018**

Related U.S. Application Data

(63) Continuation of application No. 29/569,968, filed on Jul. 1, 2016, now Pat. No. Des. 808,971, which is a continuation of application No. 29/501,654, filed on Sep. 5, 2014, now Pat. No. Des. 760,721.

(51) **LOC (12) Cl.** **14-02**

(52) **U.S. Cl.**

USPC **D14/434**

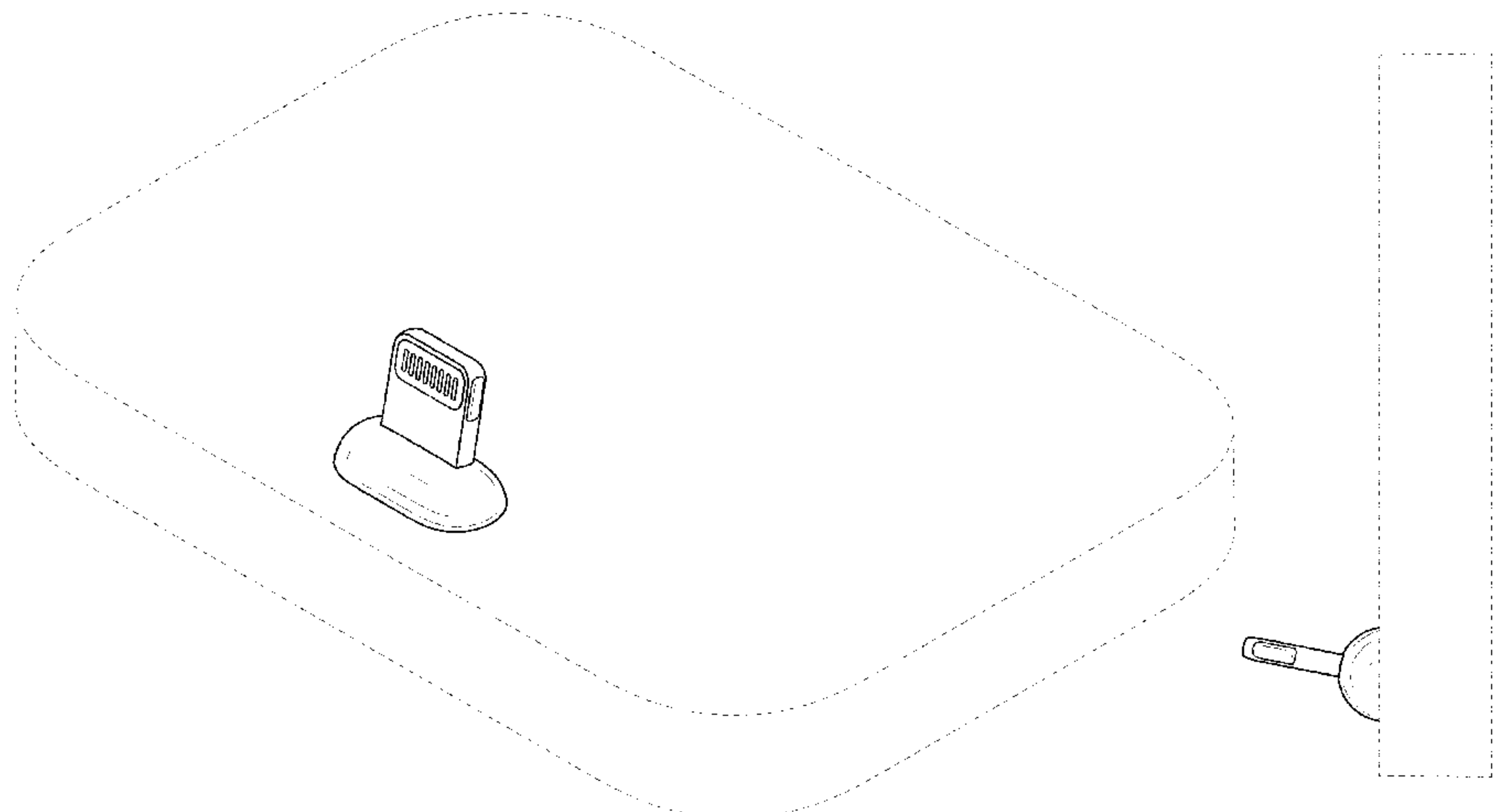
(58) **Field of Classification Search**

USPC ... D14/432, 433, 434, 435.1, 447, 451, 217, D14/251, 253, 203.8, 209.1; D13/107, D13/133, 137.1, 138.1, 147, 154
CPC G06F 1/1632; H04M 1/04; H01R 13/6315; H01R 13/74; H05K 5/0204
See application file for complete search history.

(56) **References Cited**

U.S. PATENT DOCUMENTS

D288,555 S	3/1987	Gemmell	
D374,858 S	10/1996	Chu	
D385,530 S	10/1997	Hames et al.	
D397,996 S	9/1998	Smith	
5,952,814 A	9/1999	Van Lerberghe	
D442,939 S	5/2001	Goldenburg	
6,307,348 B1	10/2001	Green	
D495,336 S	8/2004	Andre et al.	
D503,679 S	4/2005	Andre et al.	
6,898,080 B2	5/2005	Yin et al.	
D525,616 S	7/2006	Andre et al.	
7,075,579 B2	7/2006	Whitby et al.	
D526,648 S	8/2006	Andre et al.	
D542,288 S	5/2007	Andre et al.	
D554,107 S	10/2007	Calco et al.	
D558,738 S	1/2008	Andre et al.	
D558,739 S	1/2008	Andre et al.	
D567,800 S	4/2008	Andre et al.	
D568,874 S	5/2008	Andre et al.	
D575,275 S *	8/2008	Andre	D14/217
D578,512 S *	10/2008	Andre	D14/217
D579,917 S	11/2008	Marchand et al.	
D585,898 S *	2/2009	Skurdal	D14/434
D590,770 S	4/2009	Moss	
D595,265 S *	6/2009	Andre	D14/217
D597,079 S *	7/2009	Andre	D14/217
7,580,255 B2	8/2009	Crooijmans et al.	
D599,783 S *	9/2009	Andre	D14/217
D606,518 S *	12/2009	Andre	D14/217
D607,879 S	1/2010	Ferber et al.	
D608,352 S *	1/2010	Andre	D14/217
D612,809 S	3/2010	Zhao et al.	
7,719,830 B2	5/2010	Howarth et al.	
D618,240 S *	6/2010	Larmour	D14/230
D626,940 S *	11/2010	Andre	D14/217
D628,562 S	12/2010	Akana et al.	
D631,468 S *	1/2011	Akana	D14/217



D647,080	S	*	10/2011	Akana	D14/217
D647,908	S		11/2011	Chen et al.		
D648,325	S		11/2011	Akana et al.		
D648,707	S		11/2011	Akana et al.		
D648,725	S		11/2011	Akana et al.		
D657,362	S		4/2012	Lister et al.		
D660,794	S		5/2012	Fahrendorff et al.		
D662,471	S		6/2012	Fahrendorff et al.		
D662,491	S		6/2012	Andre et al.		
D665,754	S	*	8/2012	Cobbett	D13/147
D667,411	S		9/2012	Kim		
D671,898	S	*	12/2012	Andre	D13/147
D680,541	S	*	4/2013	Lee	D14/217
D682,835	S	*	5/2013	Daniel	D14/433
D684,539	S		6/2013	Akana et al.		
D684,976	S		6/2013	Akana et al.		
D687,437	S	*	8/2013	Hagenauer	D14/434
D690,286	S	*	9/2013	Petersen	D14/209.1
D699,188	S		2/2014	Akana et al.		
D703,145	S	*	4/2014	Akana	D13/147
D707,680	S	*	6/2014	Akana	D14/433
D713,350	S	*	9/2014	Akana	D13/147
D713,351	S	*	9/2014	Akana	D13/147
D713,352	S	*	9/2014	Akana	D13/147
D713,399	S	*	9/2014	Green	D14/253
D713,796	S	*	9/2014	Akana	D13/147
D716,234	S	*	10/2014	Tien	D13/147
8,905,793	B2	*	12/2014	Golko	H01R 13/02 439/660
D725,646	S	*	3/2015	Minn	D14/256
D731,434	S	*	6/2015	Akana	D13/147
D733,658	S	*	7/2015	Yang	D13/147
D744,428	S	*	12/2015	Rodriguez	D13/147
D745,464	S	*	12/2015	Koenig	D13/147
D748,581	S	*	2/2016	Chen	D13/147
D751,560	S	*	3/2016	Akana	D14/433
D751,991	S	*	3/2016	Akana	D13/147
D755,724	S	*	5/2016	Akana	D13/147
D757,649	S	*	5/2016	Pisharodi	D13/107
D758,316	S	*	6/2016	Graham	D13/147
D760,657	S	*	7/2016	Hung	D13/147
D760,721	S		7/2016	Akana et al.		
D762,178	S	*	7/2016	Liu	D13/147
D765,600	S	*	9/2016	Hoshikawa	D13/133
D765,601	S	*	9/2016	Palmer	D13/147
D769,877	S	*	10/2016	Akana	D14/433
9,466,927	B2	*	10/2016	Ardisana, II	G06F 1/1632
D770,456	S	*	11/2016	Akana	D14/433
D772,216	S	*	11/2016	Lau	D13/108
D772,879	S	*	11/2016	Eliyahu	D14/433
D776,058	S	*	1/2017	Blum	D13/147
D779,432	S	*	2/2017	Wong	D10/97
D779,433	S	*	2/2017	Fries	D13/133
D789,300	S	*	6/2017	Perez	D13/147
D791,072	S	*	7/2017	Hoehn	D13/107
D791,699	S	*	7/2017	Watanabe	D13/108
D793,397	S	*	8/2017	Eliyahu	D14/433
D795,876	S	*	8/2017	Fletcher	D14/434
D797,751	S	*	9/2017	Houston	D14/420
D798,808	S	*	10/2017	Ptok	D13/108
D801,340	S	*	10/2017	Kim	D14/435.1
9,778,690	B2	*	10/2017	Ardisana, II	G06F 1/1632
D801,975	S	*	11/2017	Qin	D14/435.1
D808,971	S	*	1/2018	Akana	D14/434
D810,678	S	*	2/2018	Choi	D13/107
D811,343	S	*	2/2018	Lau	D13/147
D813,803	S	*	3/2018	Massar	D13/108
D813,805	S	*	3/2018	Zhong	D13/108
D813,820	S	*	3/2018	Akana	D13/147
D815,598	S	*	4/2018	Koenig	D13/147
D816,606	S	*	5/2018	Georgiades	D13/108
D824,379	S	*	7/2018	Symons	D14/253
D827,568	S	*	9/2018	Turksu	D13/108
D834,023	S	*	11/2018	Yang	D14/432

D835,033	S	*	12/2018	Sorias	D13/108
D835,079	S	*	12/2018	Yun	D14/224
D835,611	S	*	12/2018	Yun	D14/224
D839,824	S	*	2/2019	Parra	D13/107
D841,595	S	*	2/2019	Akana	D13/147
D841,652	S	*	2/2019	Akana	D14/433
D844,009	S	*	3/2019	Kim	D14/434
D846,502	S	*	4/2019	Akana	D13/147
D848,408	S	*	5/2019	Akana	D14/250
D851,090	S	*	6/2019	Tak	D14/433
D855,570	S	*	8/2019	Vladimirovich	D13/133
D858,530	S	*	9/2019	Liao	D14/434
D861,598	S	*	10/2019	Xiao	D13/108
D868,742	S	*	12/2019	Cao	D14/217
D874,452	S	*	2/2020	Chen	D14/253
2007/0047198	A1		3/2007	Crooijmans et al.		
2008/0219488	A1		9/2008	Crooijmans et al.		
2009/0009957	A1		1/2009	Crooijmans et al.		
2014/0073170	A1*		3/2014	Golko	H01R 13/6275 439/350
2014/0097793	A1*		4/2014	Wurtz	H02J 7/0042 320/108

FOREIGN PATENT DOCUMENTS

EM	002183608-0001	2/2013
KR	30-0598013	5/2011
TW	D158571	1/2014

OTHER PUBLICATIONS

Docking station. (Design—© Questel) orbit.com. [online PDF] 4 pgs. Print Date May 18, 2017. [retrieved Jan. 28, 2020] <https://sobjprd.questel.fr/export/QPTUJ214/pdf2/df2ec91f-3b13-47c3-8756-6582b39ac4a0-225249.pdfv>.*

Chargers. (Design—© Questel) orbit.com. [online PDF] 6 pgs. Print Dates Jun. 8, 2016. [retrieved Mar. 24, 2020] <https://www.orbit.com/export/QPTUJ214/pdf2/0d90639f-bc9a-4b6d-92eb-1eac84b8c995-152150.pdf>.*

* cited by examiner

Primary Examiner — Marie D. Fast Horse
(74) *Attorney, Agent, or Firm* — Sterne, Kessler, Goldstein & Fox P.L.L.C.

(57) CLAIM

The ornamental design for a dock, as shown and described.

DESCRIPTION

FIG. 1 is a front perspective view of a dock showing the claimed design;
FIG. 2 is a rear perspective view thereof;
FIG. 3 is a top view thereof;
FIG. 4 is a bottom view thereof;
FIG. 5 is a left side view thereof;
FIG. 6 is a right side view thereof;
FIG. 7 is a rear view thereof; and,
FIG. 8 is a front view thereof.
The broken lines in the figures show portions of the dock that form no part of the claimed design.
The shade lines in the figures show contour and not surface ornamentation.

1 Claim, 6 Drawing Sheets

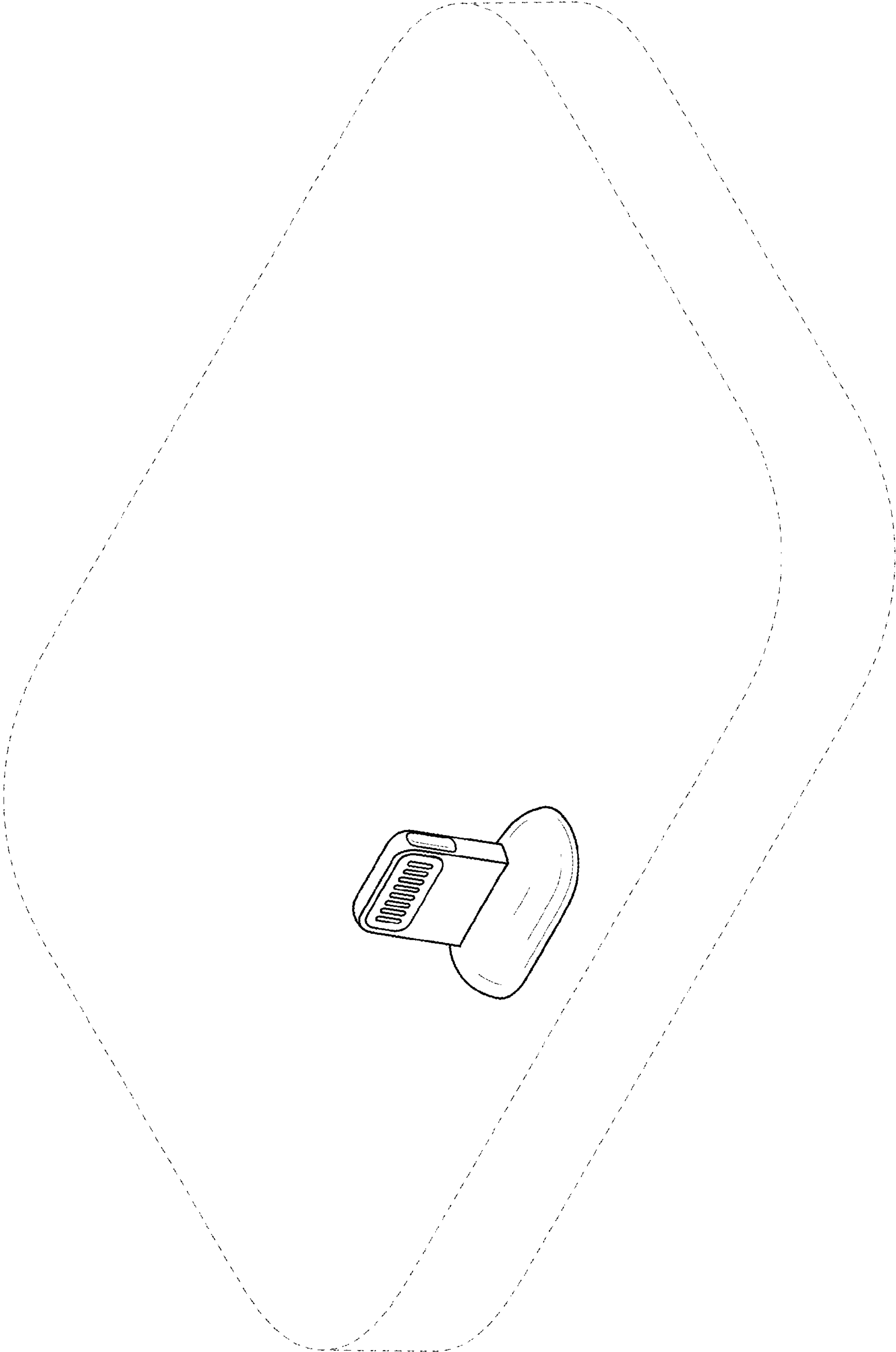


FIG. 1

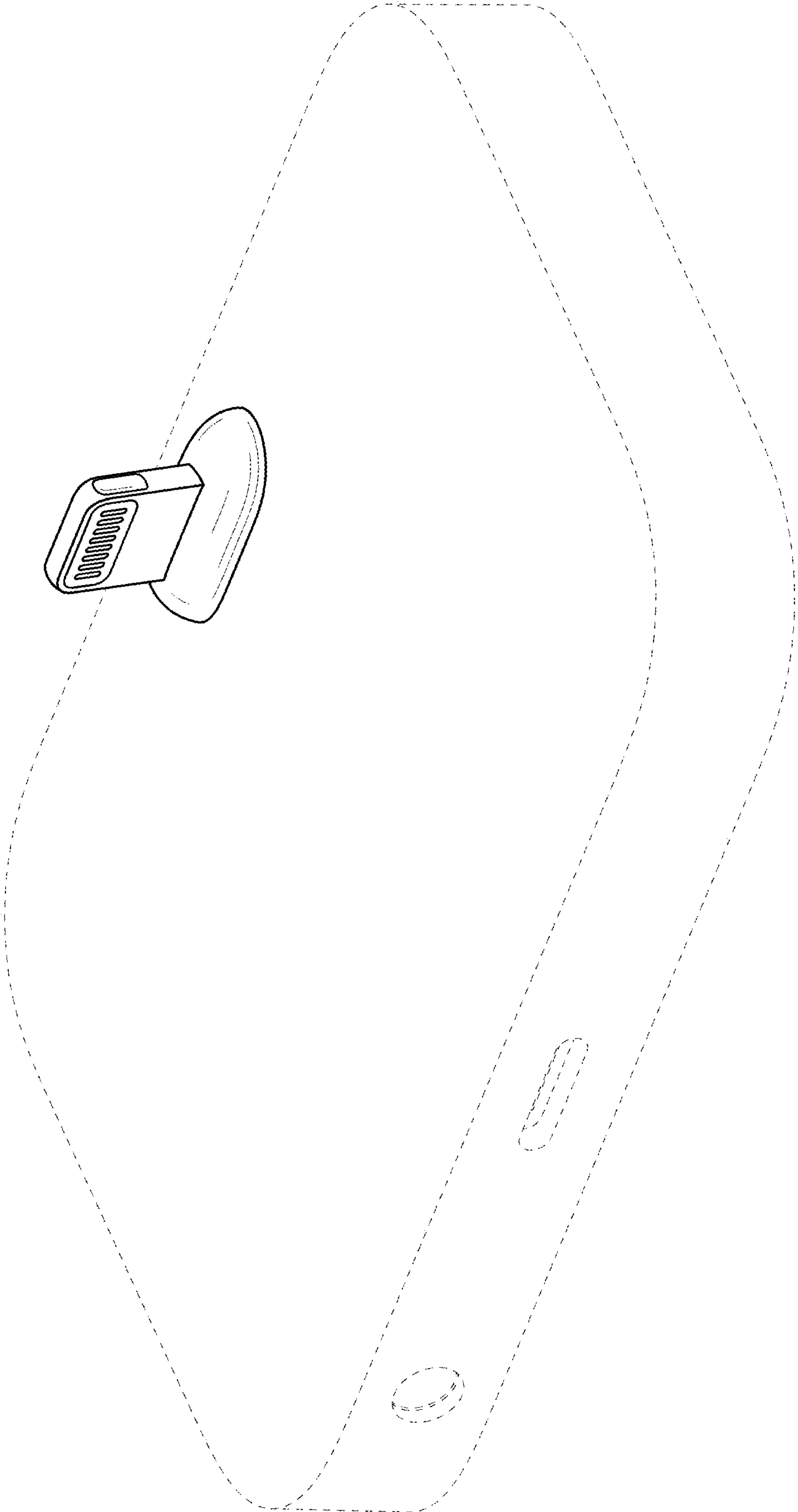


FIG. 2

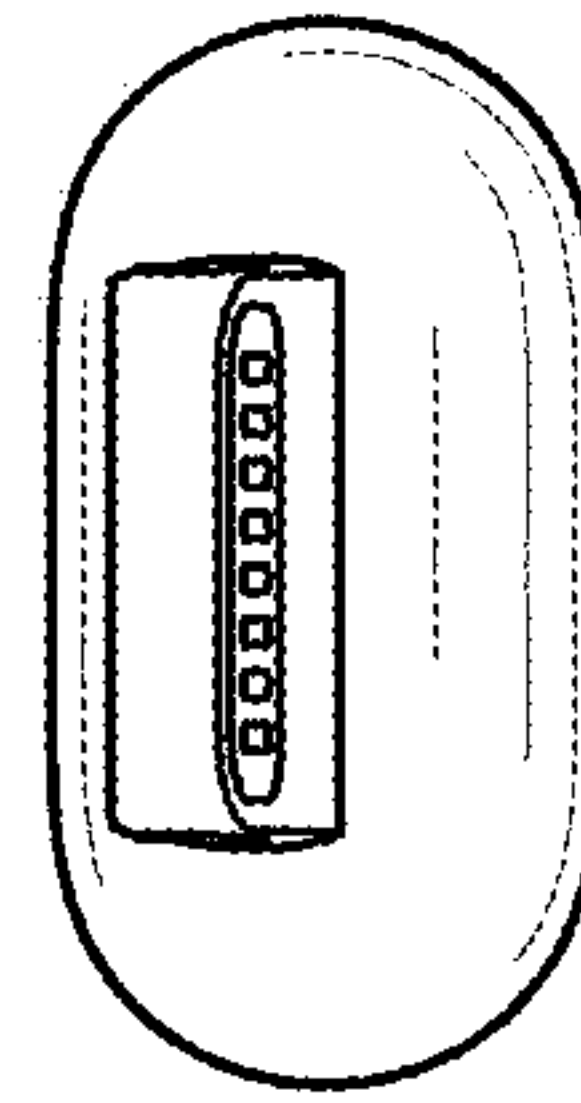
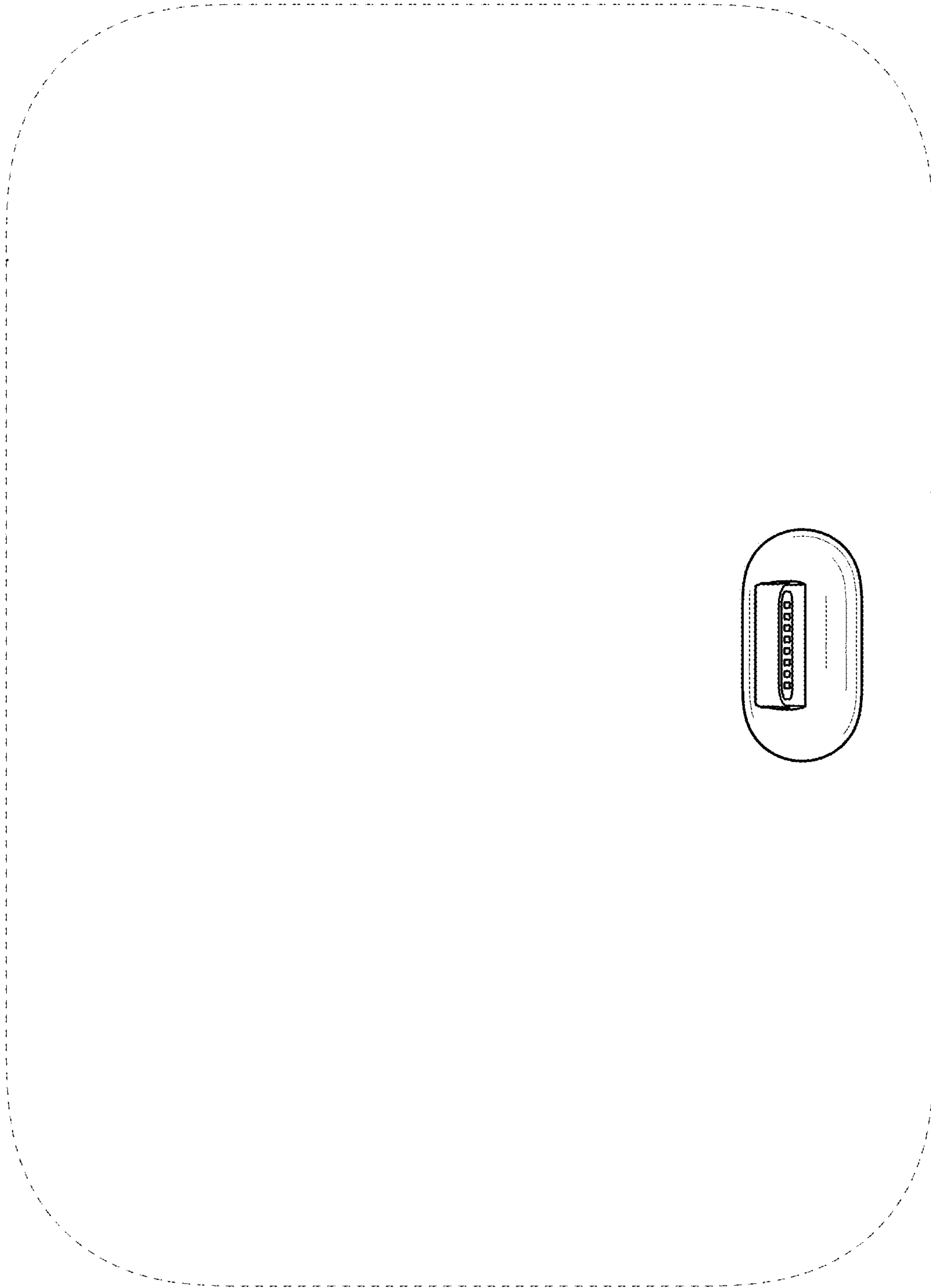


FIG. 3



FIG. 4

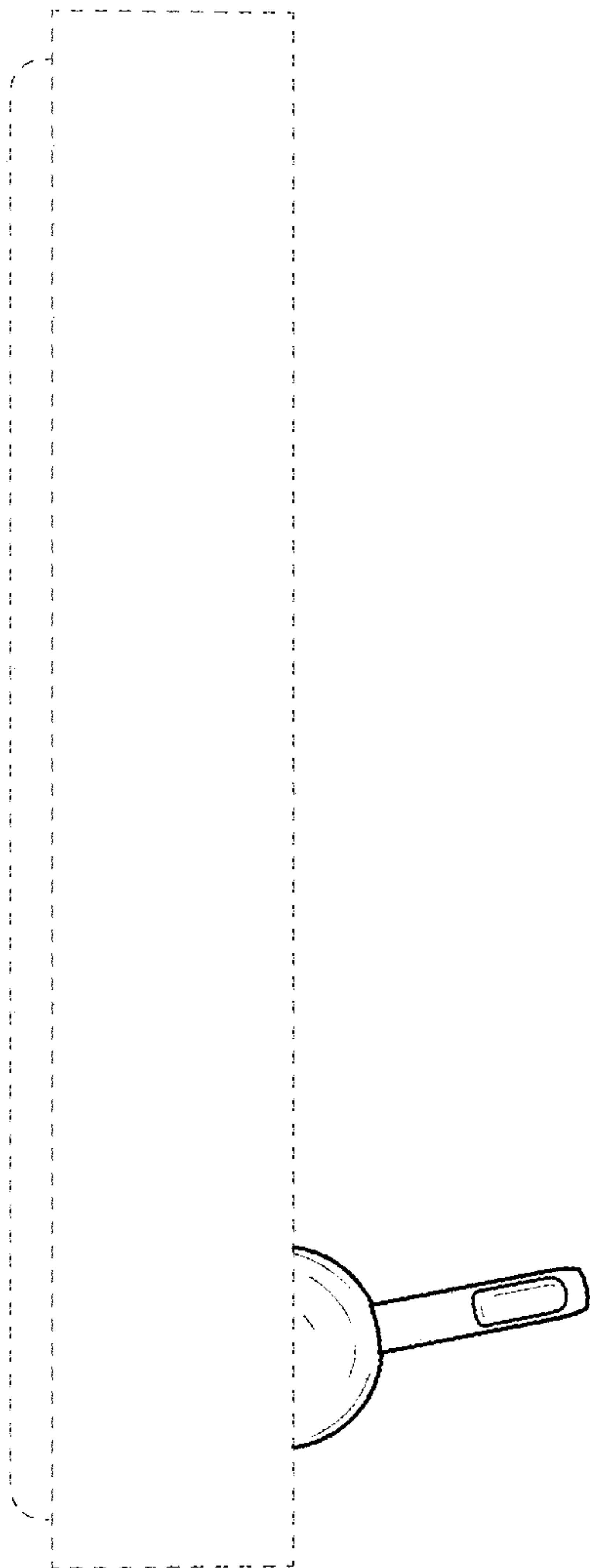


FIG. 5

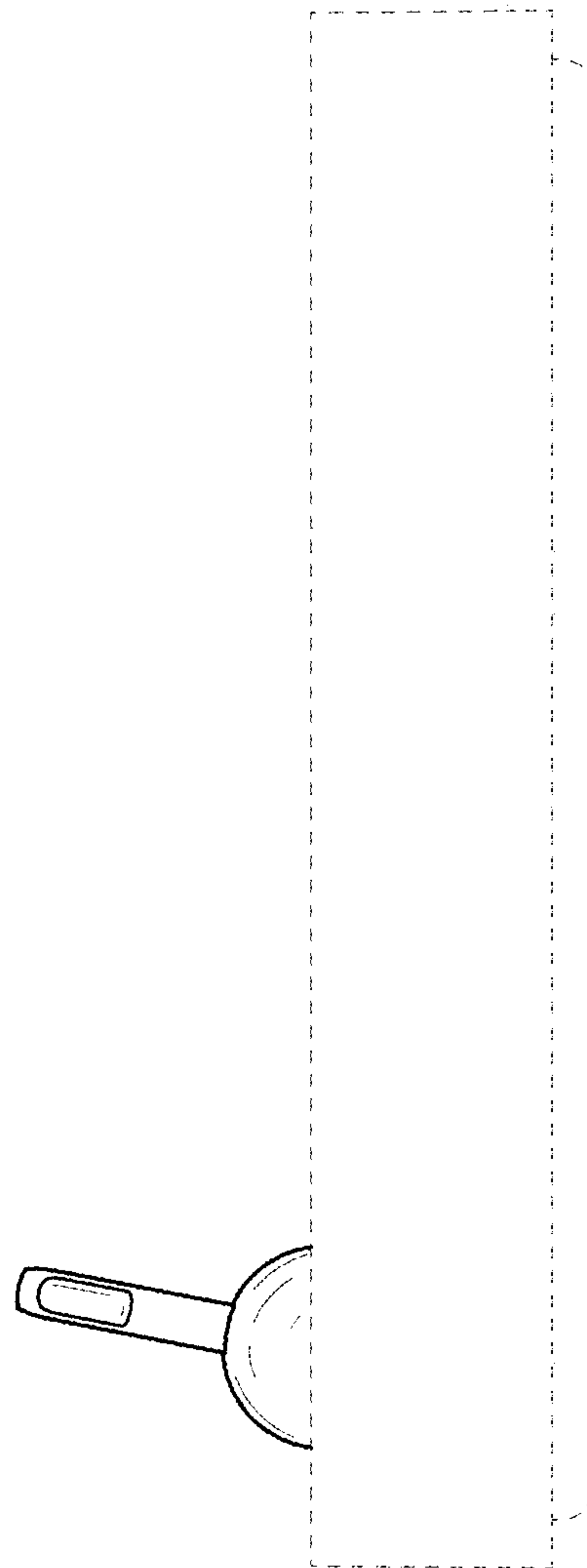


FIG. 6

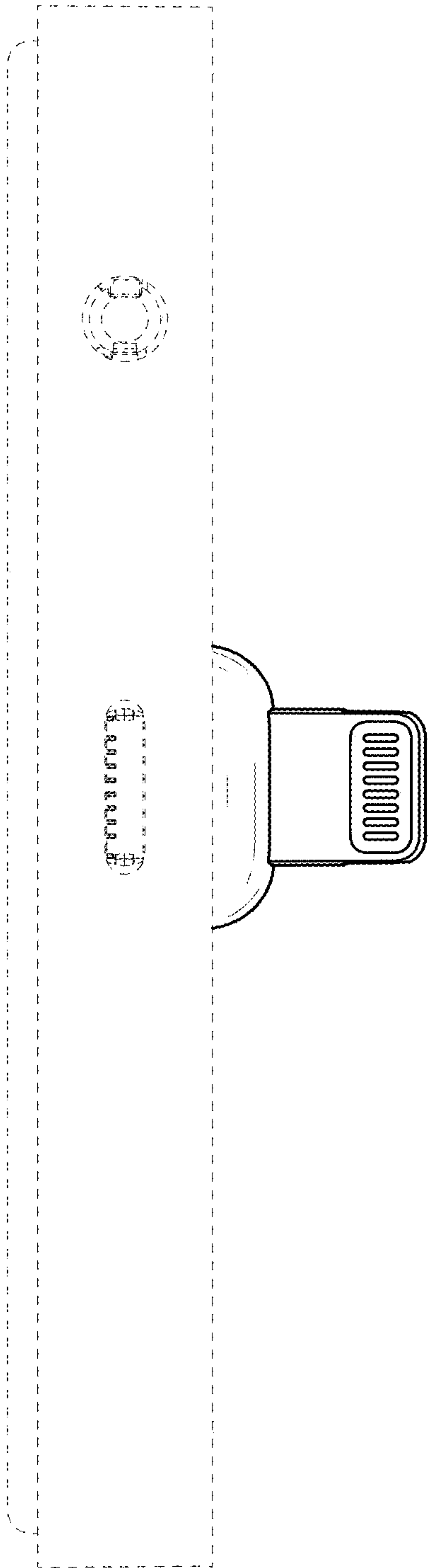


FIG. 7

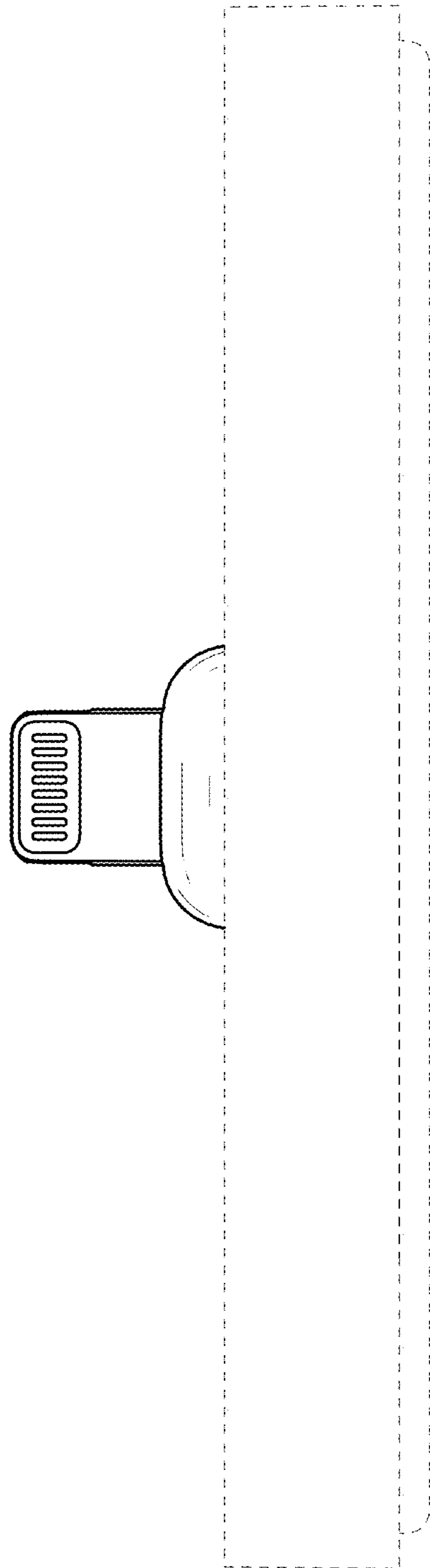


FIG. 8