



US00D892121S

(12) **United States Design Patent** (10) **Patent No.:** **US D892,121 S**  
**Tak et al.** (45) **Date of Patent:** **\*\* Aug. 4, 2020**

- (54) **POWER CABLE ACCESSORY**
- (71) Applicant: **Google LLC**, Mountain View, CA (US)
- (72) Inventors: **Jung Geun Tak**, Millbrae, CA (US);  
**Maj Isabelle Olsson**, Sunnyvale, CA (US);  
**Katherine Morgenroth**, Los Gatos, CA (US);  
**Livius Dumitru Chebeleu**, San Jose, CA (US)
- (73) Assignee: **Google LLC**, Mountain View, CA (US)
- (\*\*) Term: **15 Years**
- (21) Appl. No.: **29/720,022**
- (22) Filed: **Jan. 9, 2020**

**Related U.S. Application Data**

- (63) Continuation of application No. 29/685,749, filed on Mar. 29, 2019, now Pat. No. Des. 875,732, which is a continuation of application No. 29/615,775, filed on Aug. 31, 2017, now Pat. No. Des. 851,090.
- (51) **LOC (12) Cl.** ..... **14-02**
- (52) **U.S. Cl.**  
USPC ..... **D14/433**
- (58) **Field of Classification Search**  
USPC .... D14/356, 432-434, 453, 454, 511, 203.8,  
D14/209.1, 238.1, 240, 125; 439/638,  
439/928, 105, 502; 710/303, 304;  
361/679.41, 679.55, 679.56; D13/110,  
D13/133, 146  
CPC ... H04L 12/2832; H04L 12/2838; G06F 3/00;  
G06F 5/00; G06F 13/14  
See application file for complete search history.

(56) **References Cited**

**U.S. PATENT DOCUMENTS**

- D409,150 S 5/1999 Davis et al.
- D416,233 S 11/1999 Tsai

- D514,095 S \* 1/2006 Wilson ..... D14/223
- D574,834 S 8/2008 Chen
- D591,678 S 5/2009 Whitley et al.
- D601,150 S 9/2009 Romero
- D628,537 S 12/2010 Nagata et al.
- D640,199 S \* 6/2011 Wilson ..... D13/139.7
- D678,285 S 3/2013 Chen
- D685,790 S \* 7/2013 Tang ..... D14/218
- D705,421 S \* 5/2014 Eisenmenger ..... D24/106
- D709,504 S 7/2014 Breines
- D727,907 S 4/2015 Higashi
- D731,489 S 6/2015 Langhammer et al.
- D743,398 S 11/2015 Smith et al.
- D755,790 S 5/2016 Salvatori et al.
- D757,011 S 5/2016 Sakai
- D773,437 S \* 12/2016 Lee ..... D14/223
- D782,485 S \* 3/2017 Cai ..... D14/433

(Continued)

*Primary Examiner* — Austin Murphy

(74) *Attorney, Agent, or Firm* — Morgan, Lewis & Bockius LLP

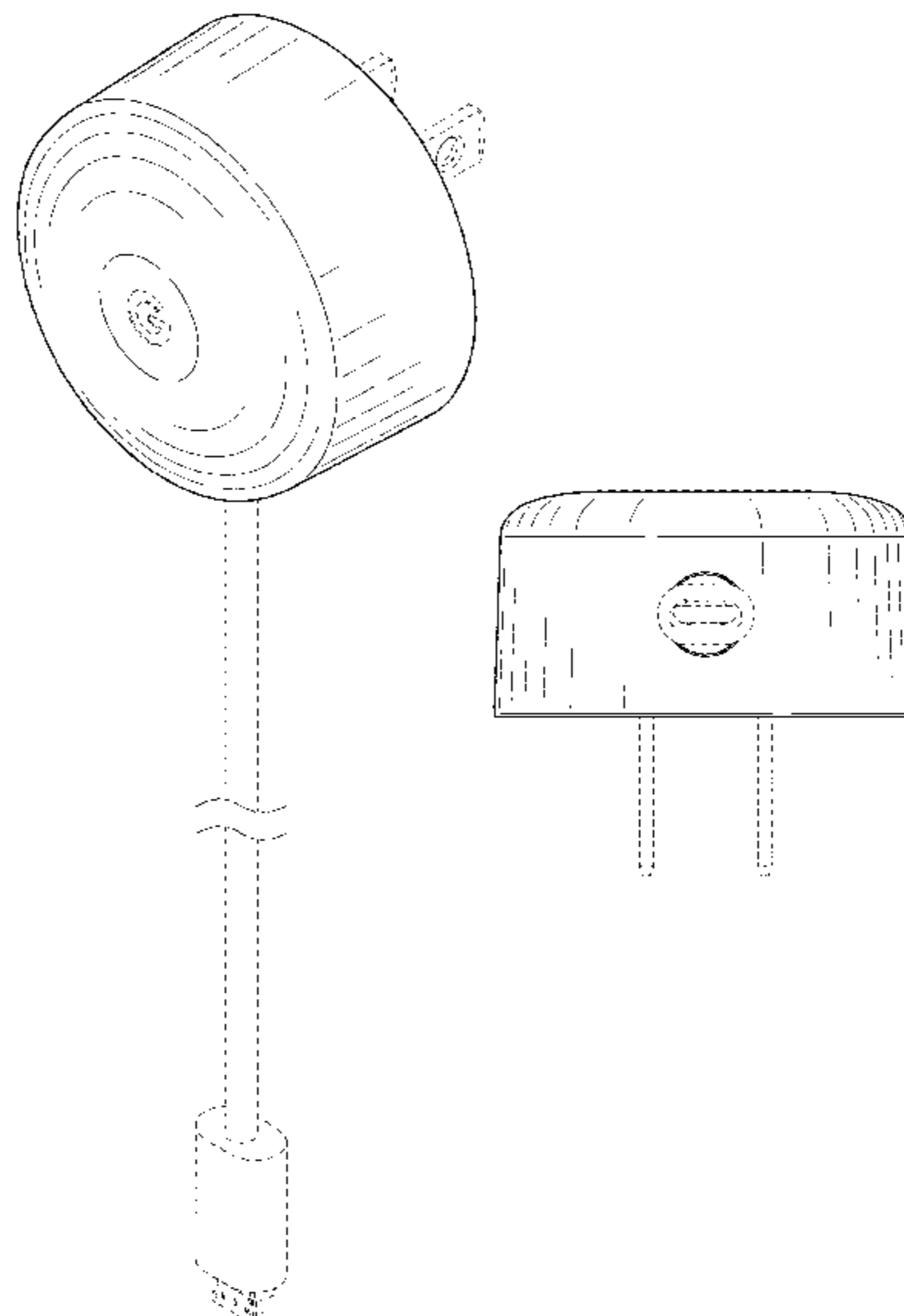
(57) **CLAIM**

The ornamental design for a power cable accessory, as shown and described.

**DESCRIPTION**

FIG. 1 is a front perspective view of a power cable accessory showing our new design;  
 FIG. 2 is a front elevational view thereof;  
 FIG. 3 is a rear elevational view thereof  
 FIG. 4 is a right-side elevational view thereof;  
 FIG. 5 is a left-side elevational view thereof;  
 FIG. 6 is a top plan view thereof; and  
 FIG. 7 is a bottom plan view thereof; and,  
 FIG. 8 is a rear perspective view thereof.  
 The broken lines immediately adjacent the shaded areas represent the bounds of the claimed design, while all other broken lines are directed to unclaimed portions; the broken lines form no part of the claimed design.

**1 Claim, 5 Drawing Sheets**



(56)

**References Cited**

U.S. PATENT DOCUMENTS

D786,876	S	5/2017	Huang	
D791,700	S *	7/2017	Loewen	..... D13/108
D794,029	S	8/2017	Lin	
D800,068	S	10/2017	Kim	
D810,748	S	2/2018	Zhang	
D810,749	S	2/2018	Zhang	
D810,952	S *	2/2018	Hsu	..... D24/200
D813,873	S	3/2018	Pathak et al.	
D815,096	S *	4/2018	Ebrahimi Afrouzi	..... D14/433
9,935,408	B1	4/2018	Pathak et al.	
D832,260	S	10/2018	Hutton et al.	
D845,303	S	4/2019	Laffon de Mazieres et al.	
D851,090	S *	6/2019	Tak	..... D14/433
D853,982	S *	7/2019	Lu	..... D14/155
D854,018	S	7/2019	Liao	
D875,732	S *	2/2020	Tak	..... D14/433
D876,400	S *	2/2020	Russo	..... D14/228

\* cited by examiner

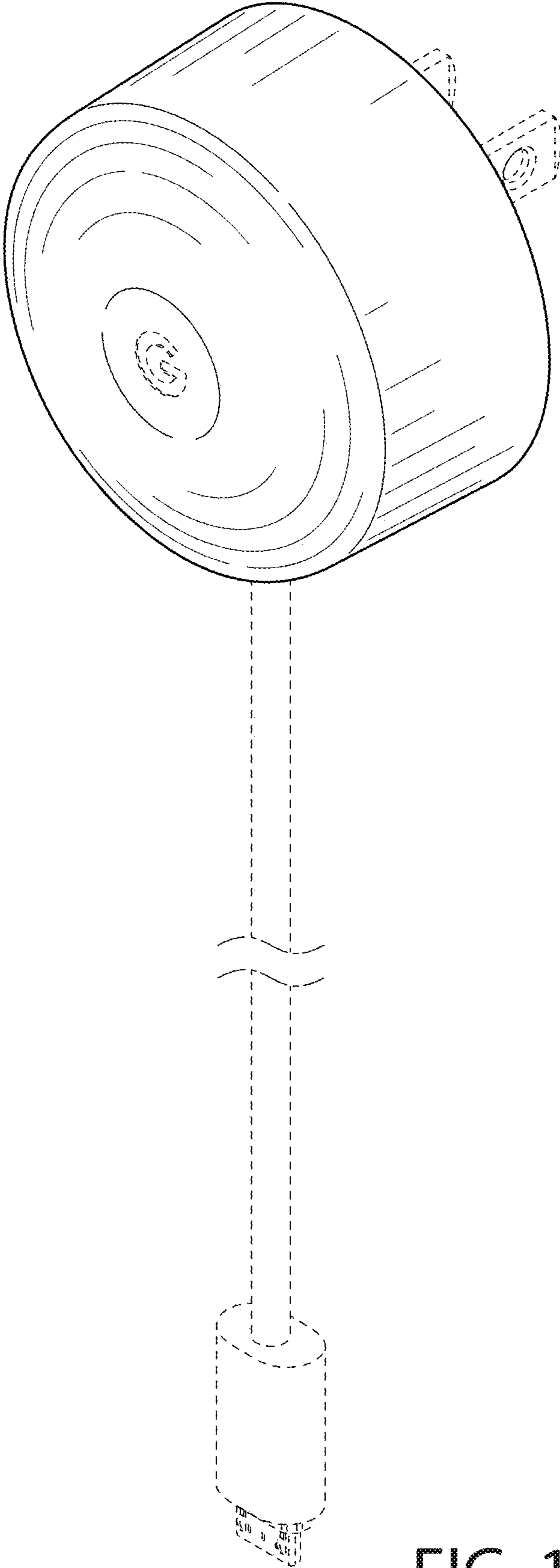
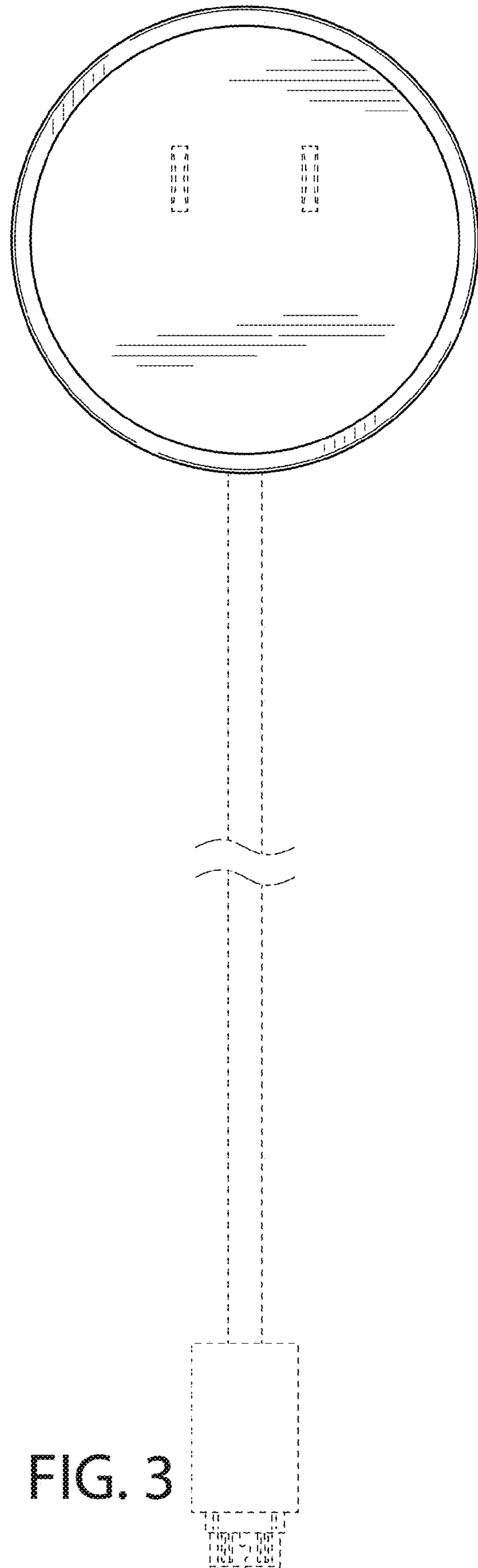
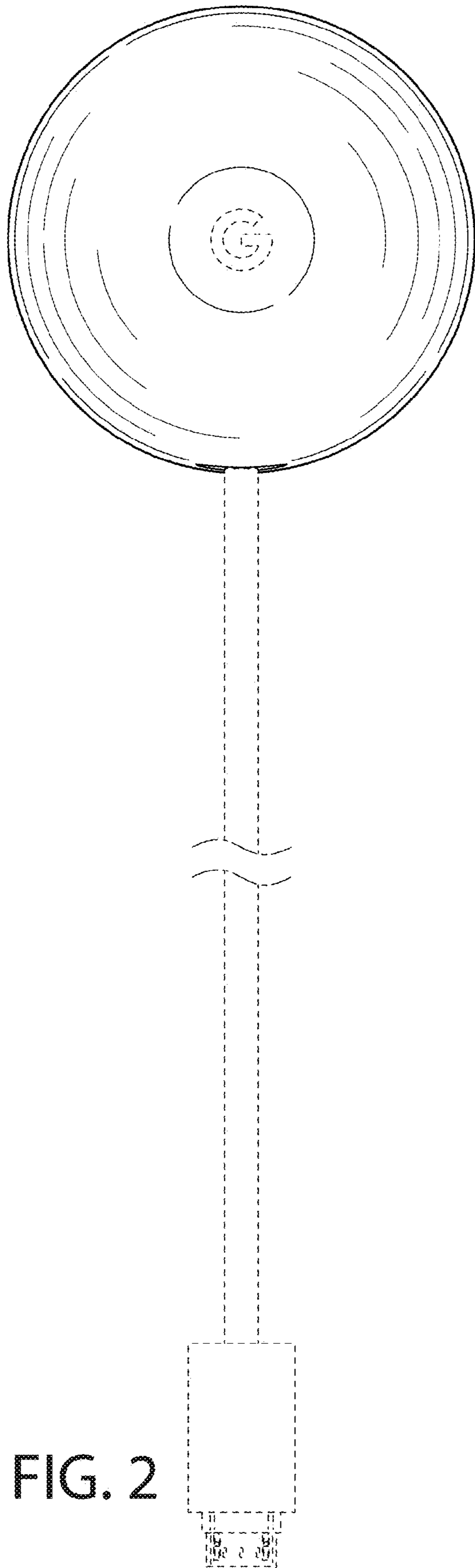


FIG. 1



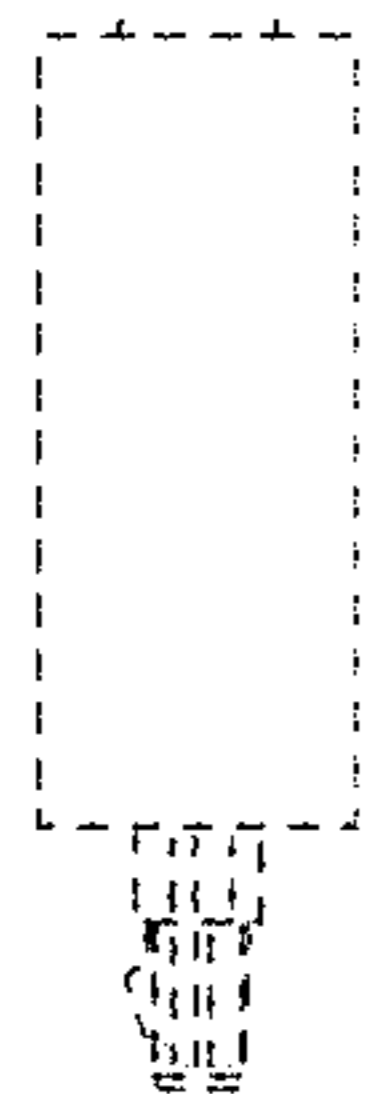
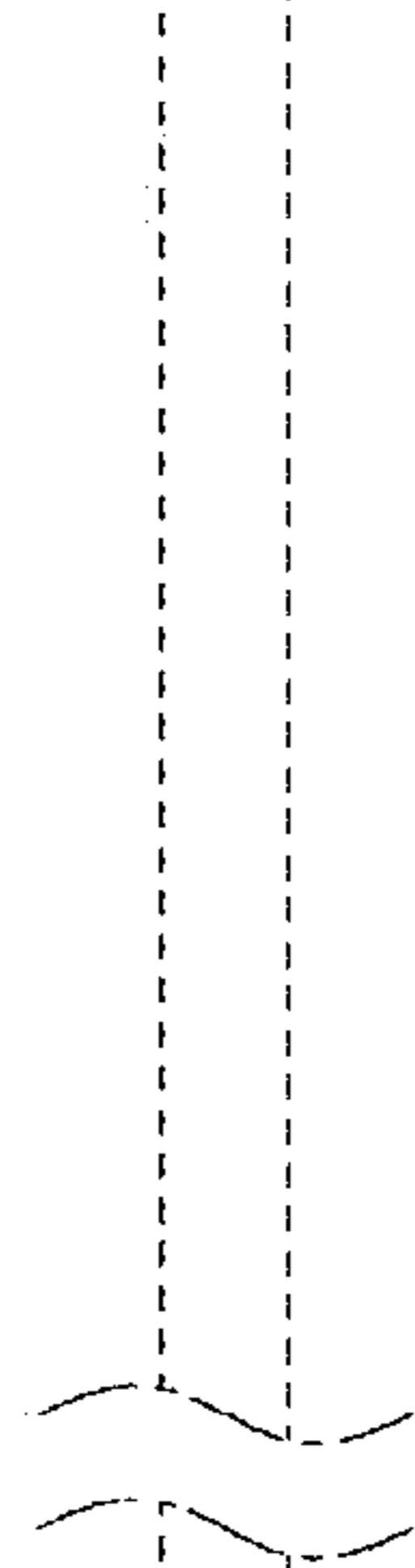
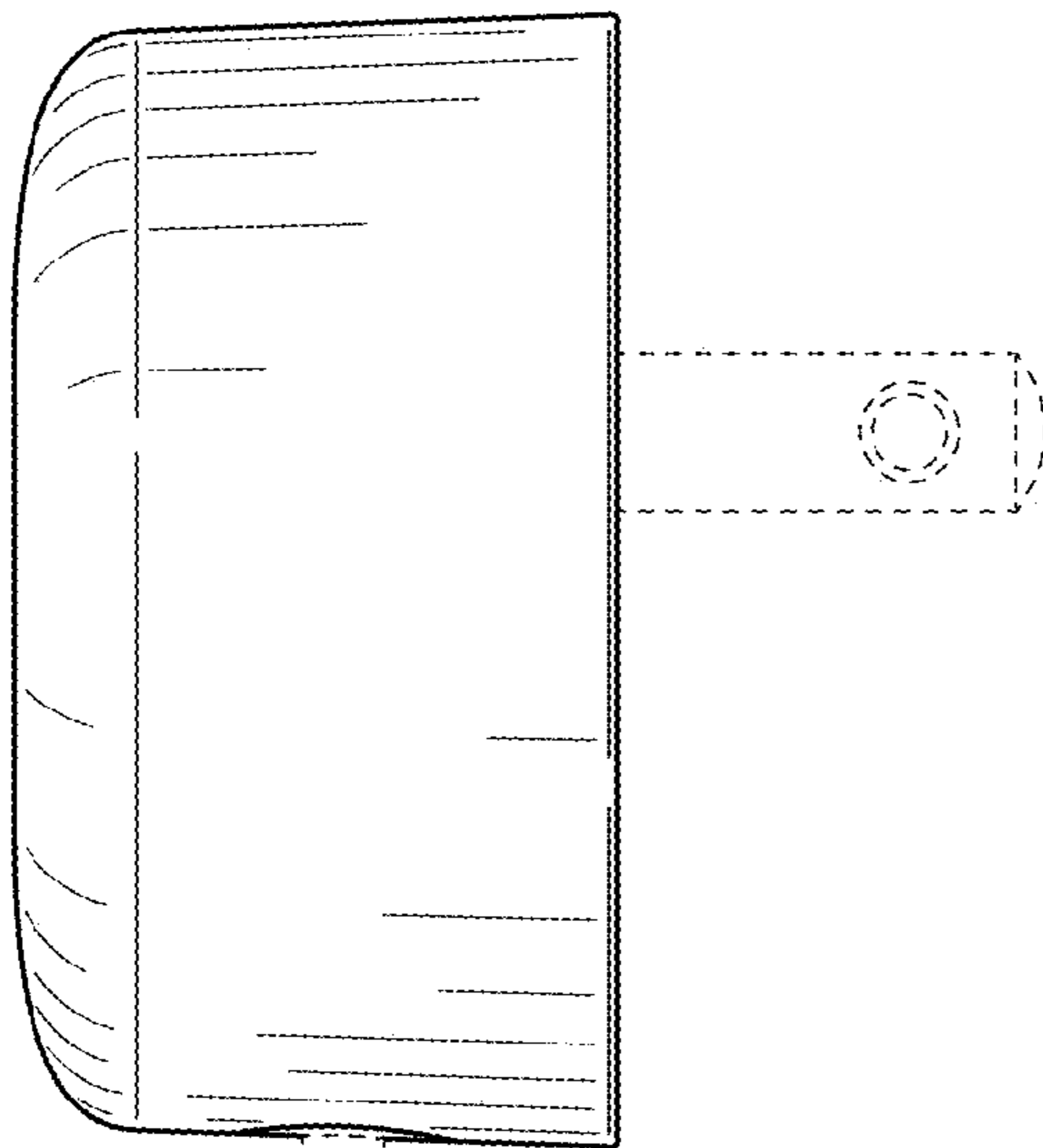


FIG. 4

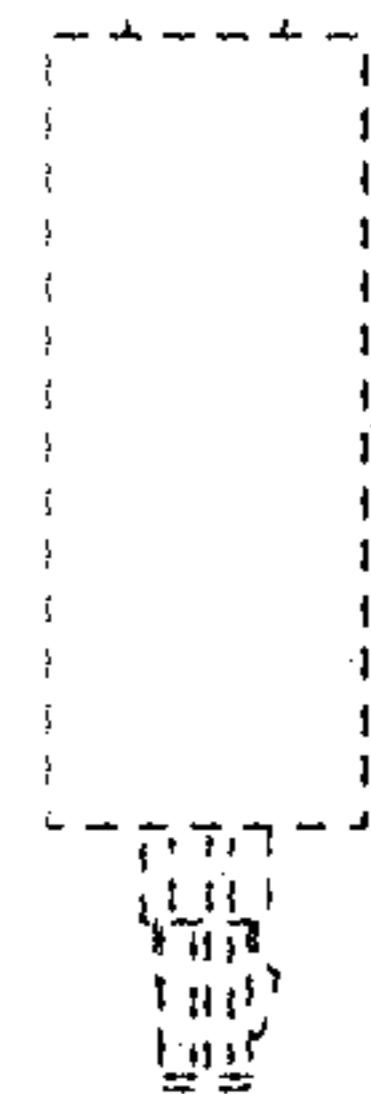
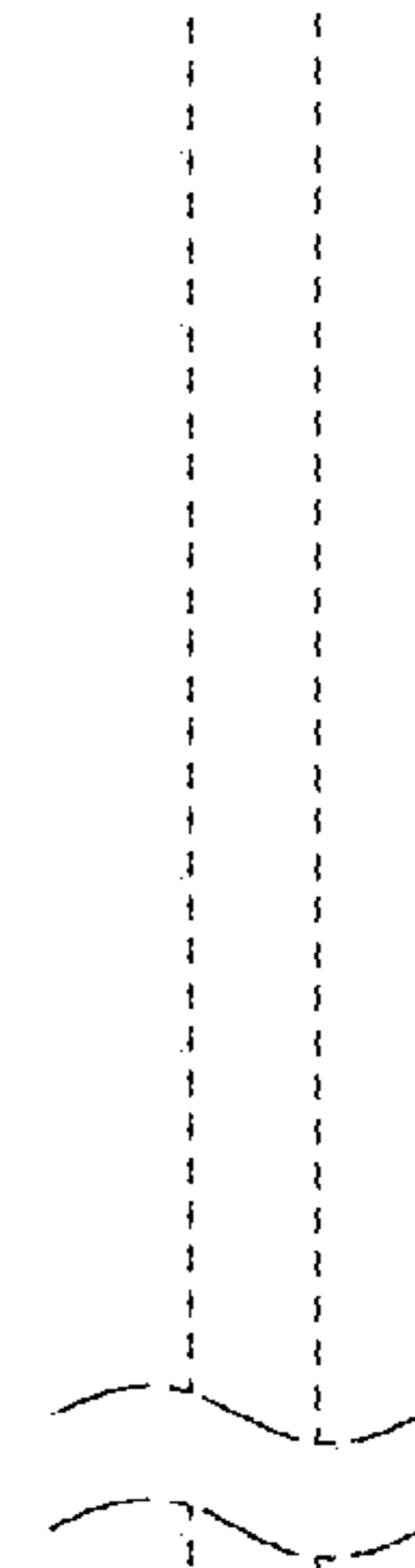
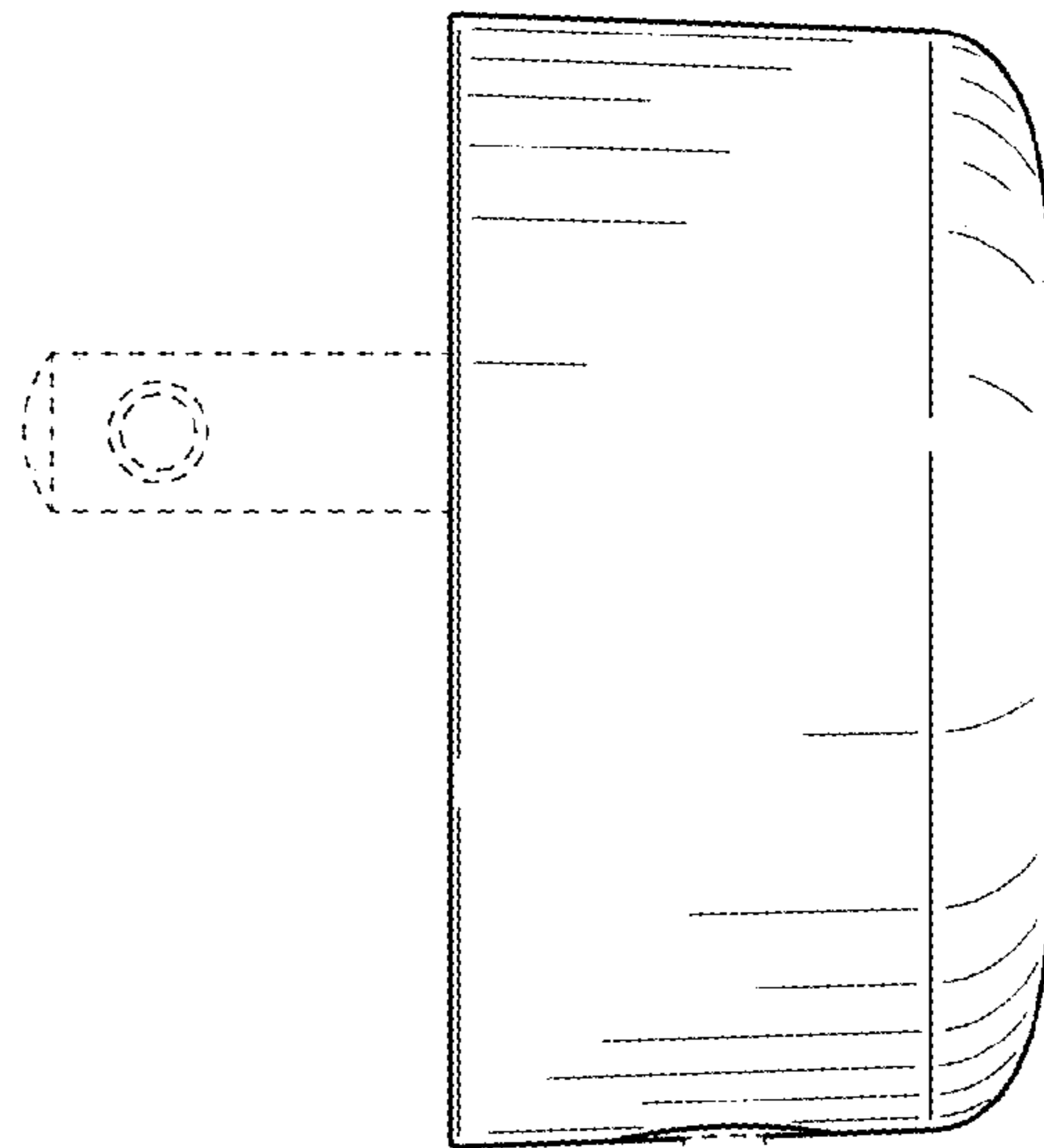


FIG. 5

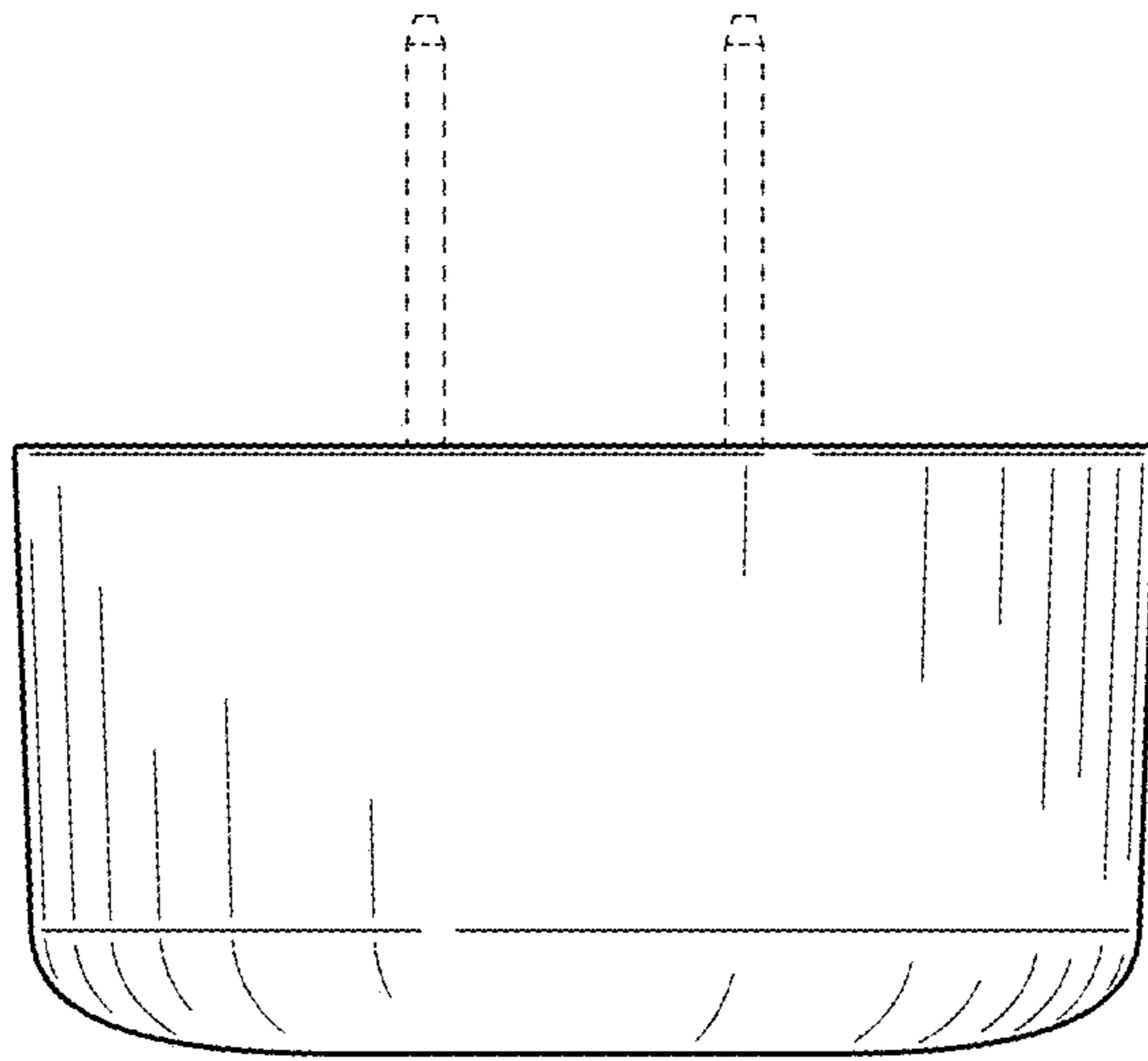


FIG. 6

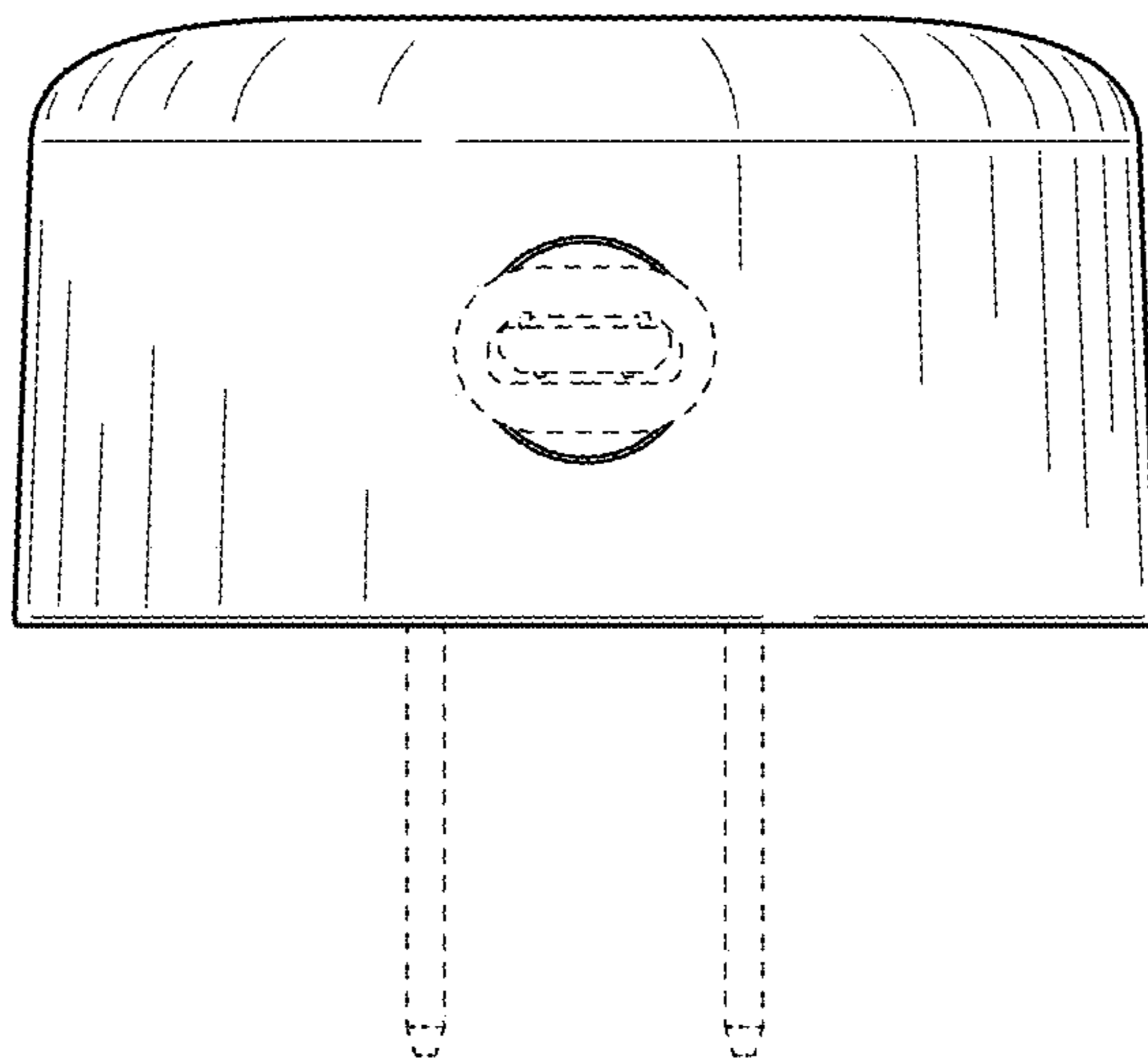


FIG. 7



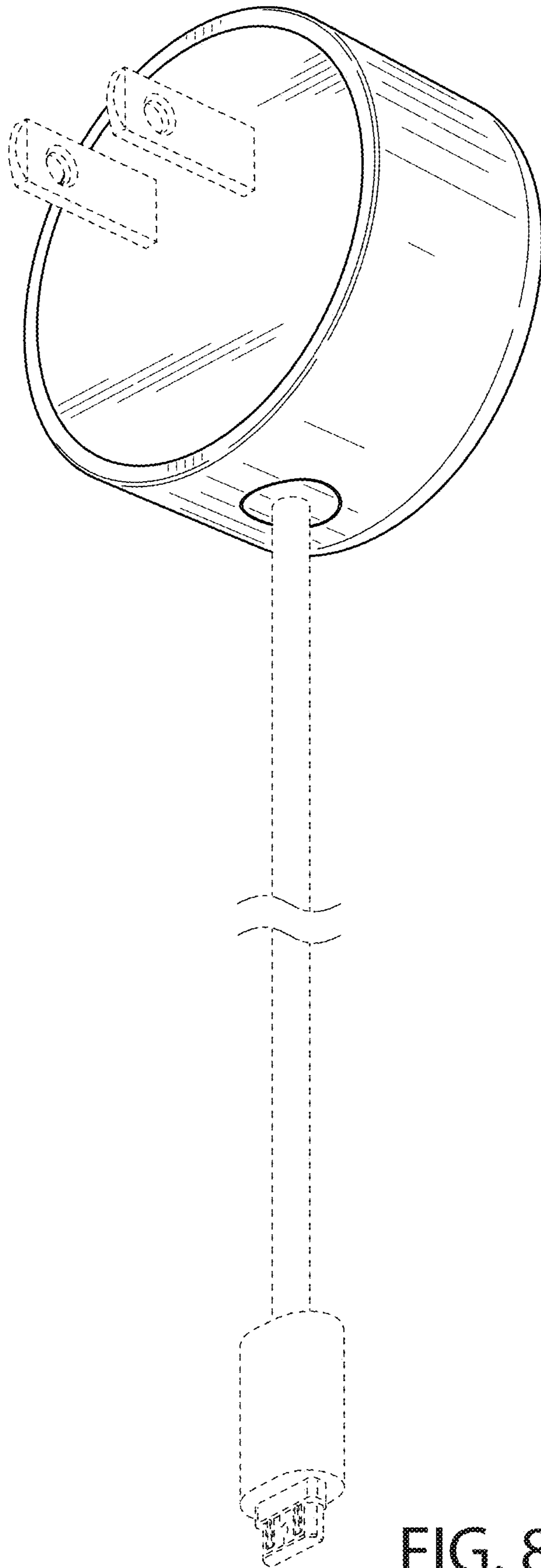


FIG. 8