



US00D892119S

(12) **United States Design Patent** (10) **Patent No.:** **US D892,119 S**  
**Chin** (45) **Date of Patent:** **\*\* Aug. 4, 2020**

(54) **USB ADAPTER APPARATUS**

(71) Applicant: **Kien Hoe Daniel Chin**, Fremont, CA (US)

(72) Inventor: **Kien Hoe Daniel Chin**, Fremont, CA (US)

(\*\*) Term: **15 Years**

(21) Appl. No.: **29/719,475**

(22) Filed: **Jan. 4, 2020**

**Related U.S. Application Data**

(63) Continuation of application No. 29/710,504, filed on Oct. 23, 2019, now Pat. No. Des. 874,462, which is a continuation of application No. 29/668,987, filed on Nov. 4, 2018.

(51) **LOC (12) Cl.** ..... **14-02**

(52) **U.S. Cl.**  
USPC ..... **D14/433**

(58) **Field of Classification Search**  
USPC ..... D14/240, 242, 356, 358, 363, 365, 367, D14/370, 432-437, 439, 498, 125, 366, D14/168, 496; D13/147, 164, 123, 133, D13/146, 110, 199, 103, 162, 159, 160, D13/184; 361/683, 684, 686, 724, 735, 361/737, 752; D18/40  
CPC .... H01R 25/006; H01R 27/02; H01R 31/005; G06F 13/4022; G06F 13/382; G06F 1/1632; G06F 1/1684; G06F 1/20; G06F 1/1607

See application file for complete search history.

(56) **References Cited**

U.S. PATENT DOCUMENTS

D874,462	S	*	2/2020	Chin	.....	D14/433
D876,439	S	*	2/2020	Turksu	.....	D14/433
D878,373	S	*	3/2020	Zhang	.....	D14/433
D879,102	S	*	3/2020	Turksu	.....	D14/433
D879,780	S	*	3/2020	Liao	.....	D14/433
D880,479	S	*	4/2020	Liao	.....	D14/433
D880,480	S	*	4/2020	Liao	.....	D14/433
D880,482	S	*	4/2020	Wang	.....	D14/433
2003/0148656	A1	*	8/2003	Huang	.....	H01R 25/003 439/501
2006/0085584	A1	*	4/2006	Chen	.....	H01R 31/005 710/303
2007/0072485	A1	*	3/2007	Lin	.....	H01R 13/6275 439/527

\* cited by examiner

*Primary Examiner* — Austin Murphy

(74) *Attorney, Agent, or Firm* — Alexander Chen, Esq.

(57) **CLAIM**

The ornamental design for an USB adapter apparatus, as shown and described.

**DESCRIPTION**

FIG. 1 is a perspective back view of an USB adapter apparatus;

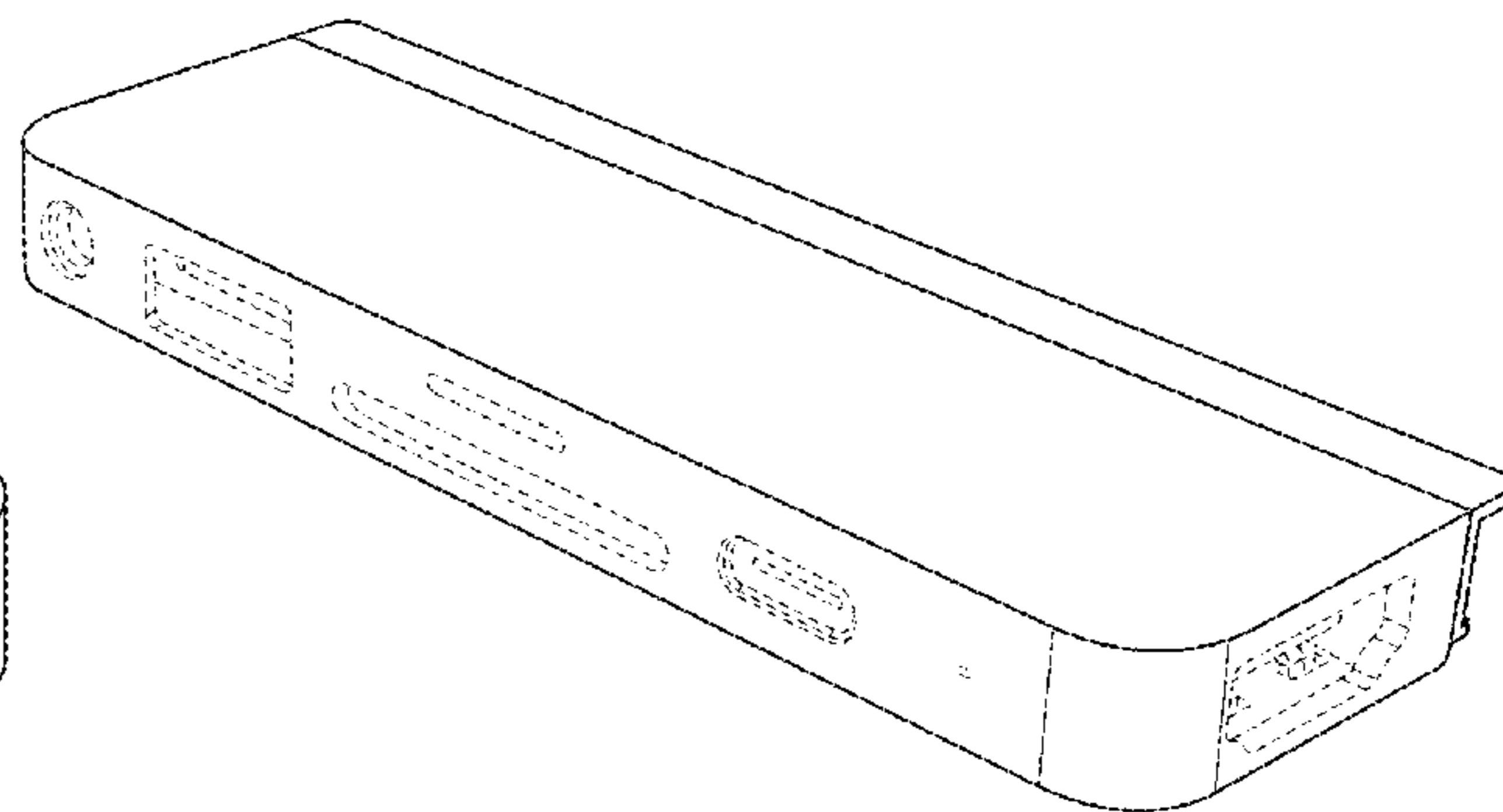
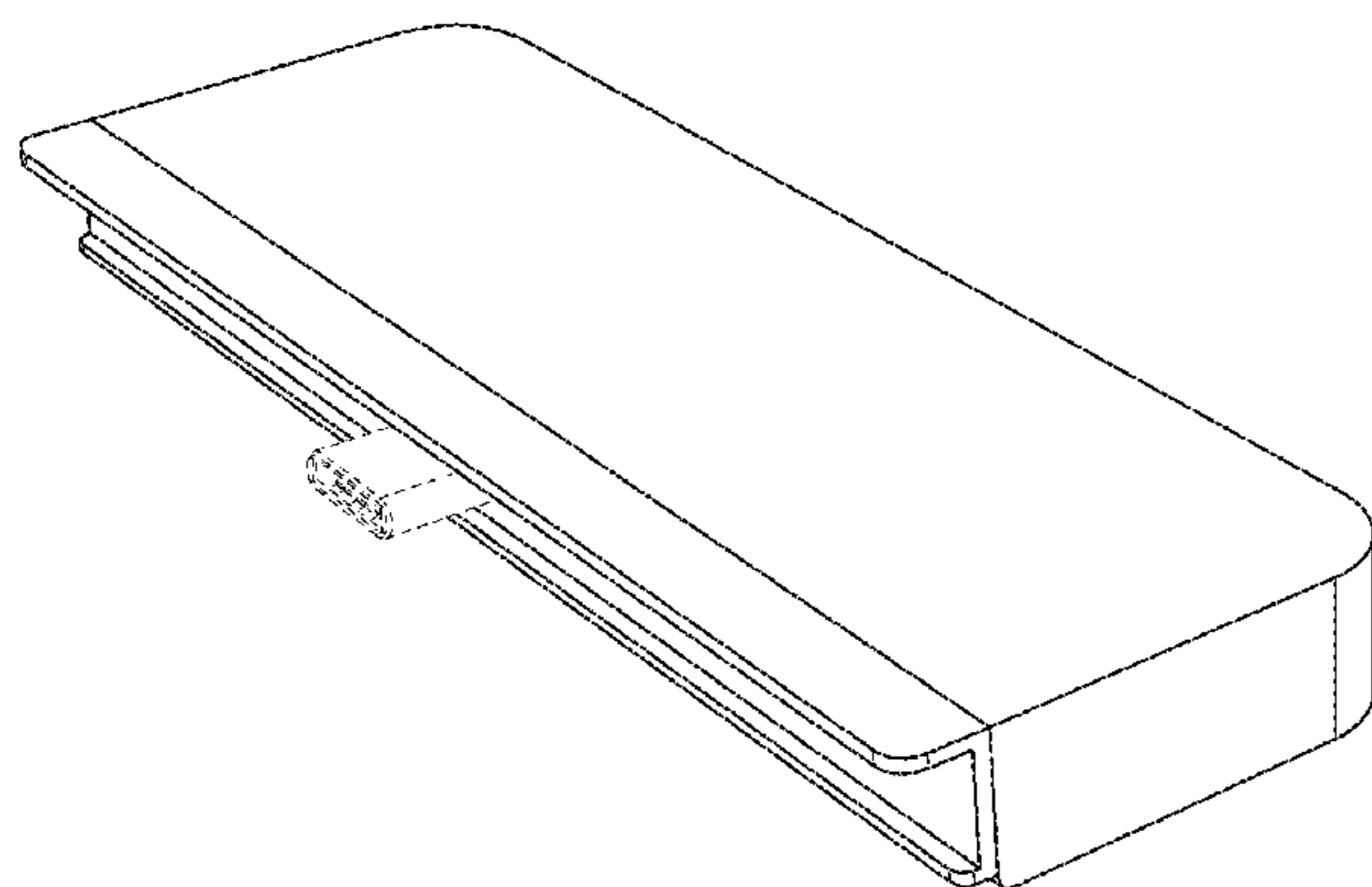
FIG. 2 is a perspective front view thereof; and,

FIG. 3 is a side view thereof.

The broken lines are included to show environmental structure and form no part of the claimed design.

The drawings and descriptions represent the left side embodiment. The claim is also for a mirror image right side embodiment.

**1 Claim, 2 Drawing Sheets**



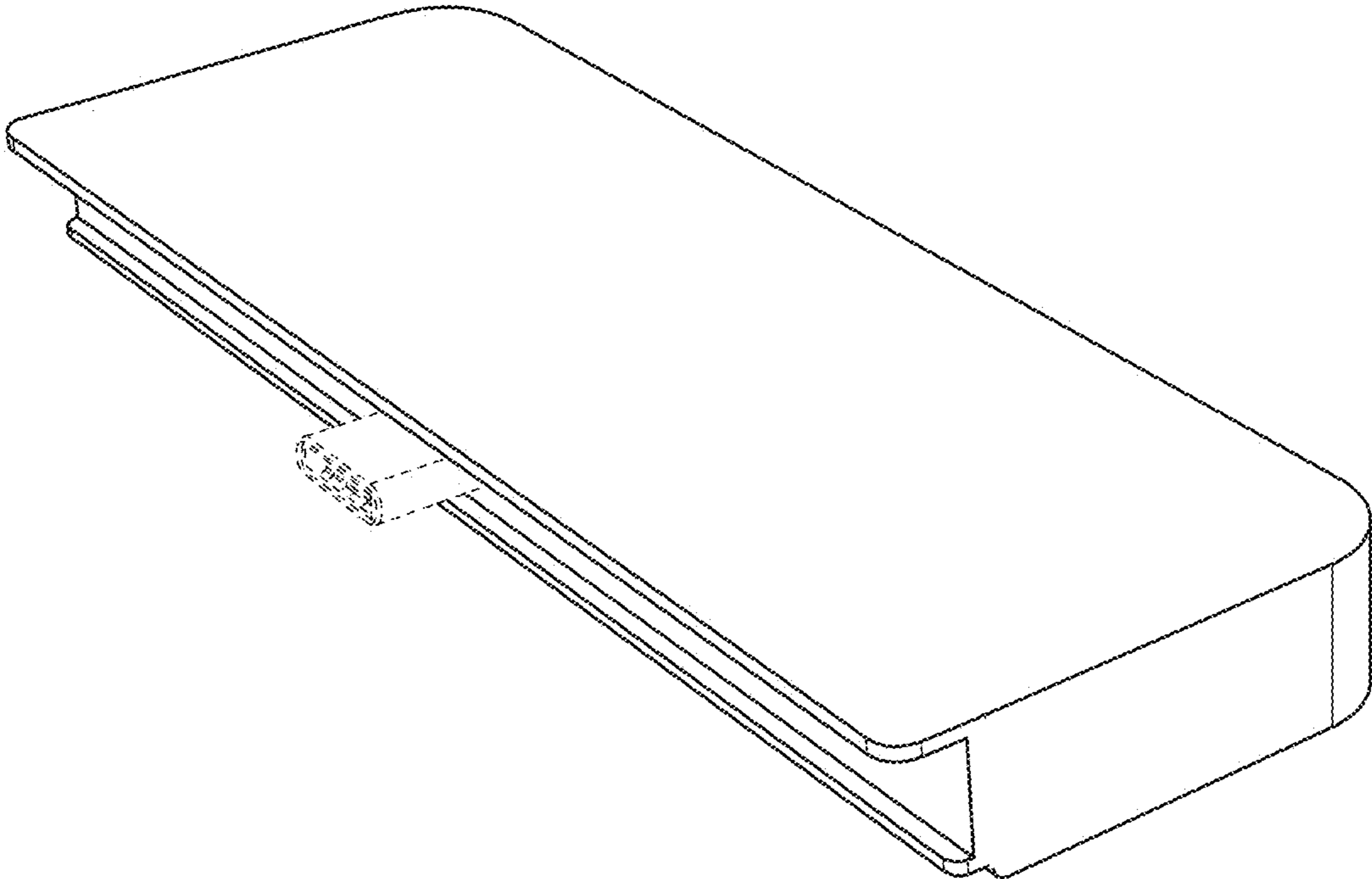


FIG. 1

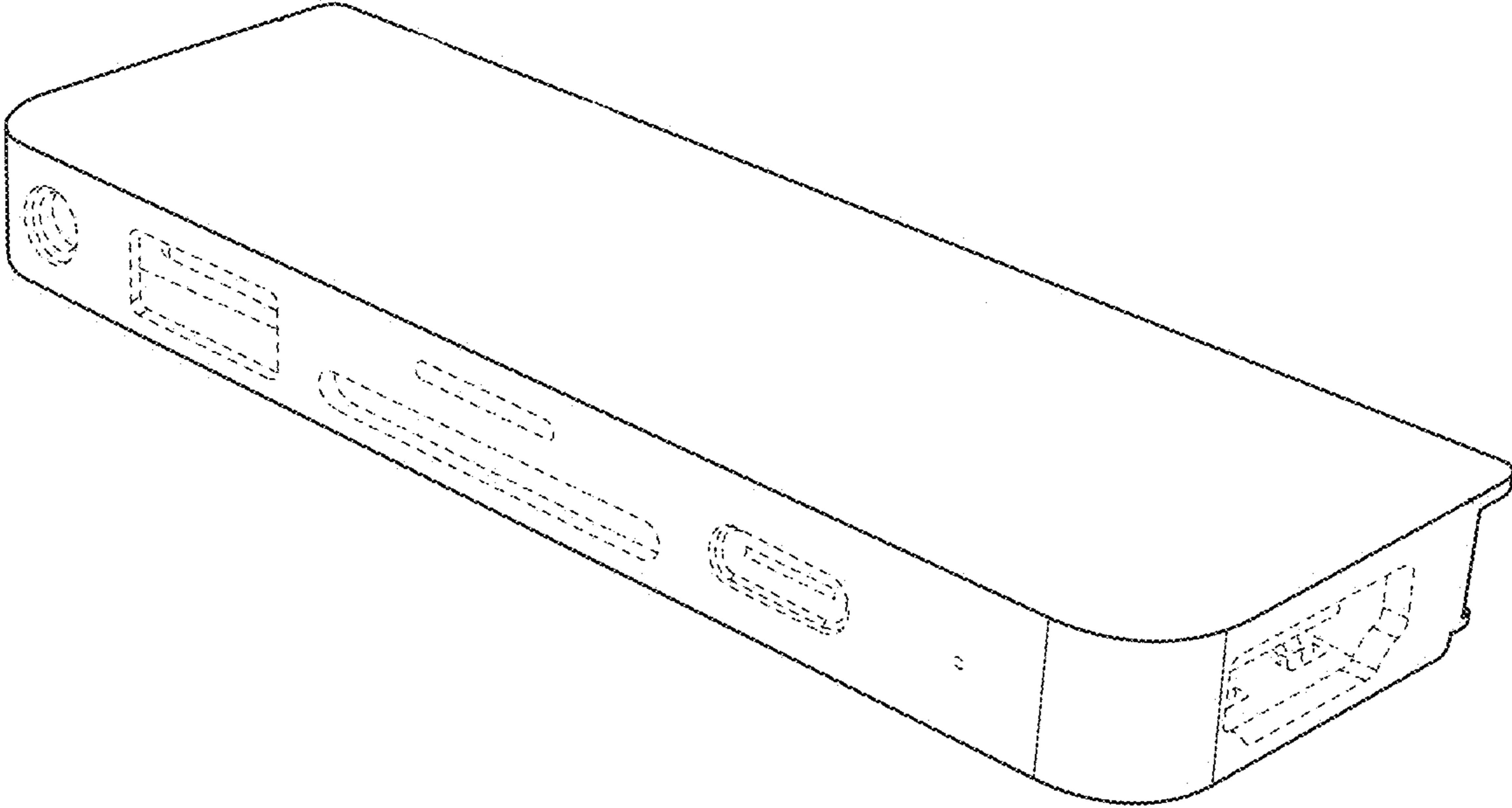


FIG. 2

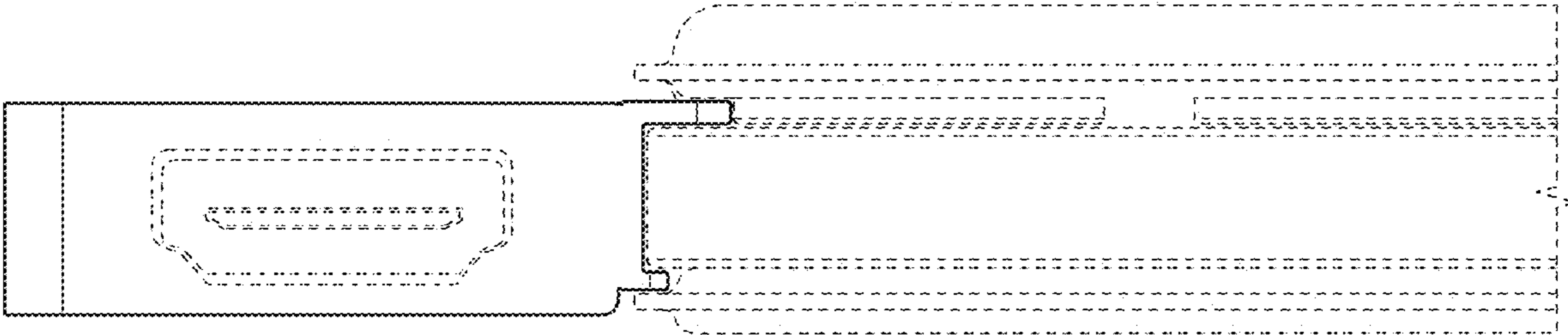


FIG. 3