



US00D892115S

(12) **United States Design Patent**
Gan

(10) **Patent No.:** **US D892,115 S**

(45) **Date of Patent:** **** Aug. 4, 2020**

(54) **CONTROLLER**

(71) Applicant: **Shenzhen Valuelink E-Commerce Co., Ltd.**, Shenzhen (CN)

(72) Inventor: **Qing-Cao Gan**, Shenzhen (CN)

(73) Assignee: **Shenzhen Valuelink E-Commerce Co., Ltd.**, Shenzhen (CN)

(**) Term: **15 Years**

(21) Appl. No.: **29/643,942**

(22) Filed: **Apr. 13, 2018**

(30) **Foreign Application Priority Data**

Mar. 30, 2018 (CN) 2018 3 0124201

(51) **LOC (12) Cl.** **14-02**

(52) **U.S. Cl.**
USPC **D14/401; D21/333**

(58) **Field of Classification Search**

USPC D14/400–418, 426–431, 454–455, 203.3,
D14/218, 300, 356, 358, 383, 388, 399,
D14/432; D21/324, 328, 331, 333, 566;
D13/162, 162.1, 168; D10/78, 103
CPC .. A63F 9/02; A63F 9/24; A63F 9/0291; A63F
9/0252; A63F 13/00; A63F 13/23; A63F
13/24; A63F 13/26; A63F 13/98; A63F
13/02; A63F 13/12

See application file for complete search history.

(56) **References Cited**

U.S. PATENT DOCUMENTS

D478,590 S * 8/2003 Hussaini D14/401
D646,726 S * 10/2011 Avery D21/324
D702,684 S * 4/2014 Huang D14/401
D706,874 S * 6/2014 Ngoy D21/329
D710,945 S * 8/2014 Biheller D14/401
D711,877 S * 8/2014 Bellinghausen D14/401
D711,878 S * 8/2014 Bellinghausen D14/401

D723,625 S * 3/2015 Wikel D21/333
D815,094 S * 4/2018 Jiang D14/398
D875,180 S * 2/2020 Wang D21/333
2004/0023719 A1* 2/2004 Hussaini A63F 13/06
463/37
2004/0222970 A1* 11/2004 Martinez A63F 13/06
345/169
2015/0105152 A1* 4/2015 Bellinghausen A63F 13/2145
463/31

* cited by examiner

Primary Examiner — Jeffrey D Asch

Assistant Examiner — Rebekah A Caruso

(74) *Attorney, Agent, or Firm* — ScienBiziP, P.C.

(57) **CLAIM**

The ornamental design for a controller, as shown and described.

DESCRIPTION

FIG. 1 is a top perspective view of a controller, showing the claimed new design;

FIG. 2 is a bottom perspective view of the controller shown in FIG. 1;

FIG. 3 is a front elevation view of the controller shown in FIG. 1;

FIG. 4 is a rear elevation view of the controller shown in FIG. 1;

FIG. 5 is a side elevation view of the controller shown in FIG. 1;

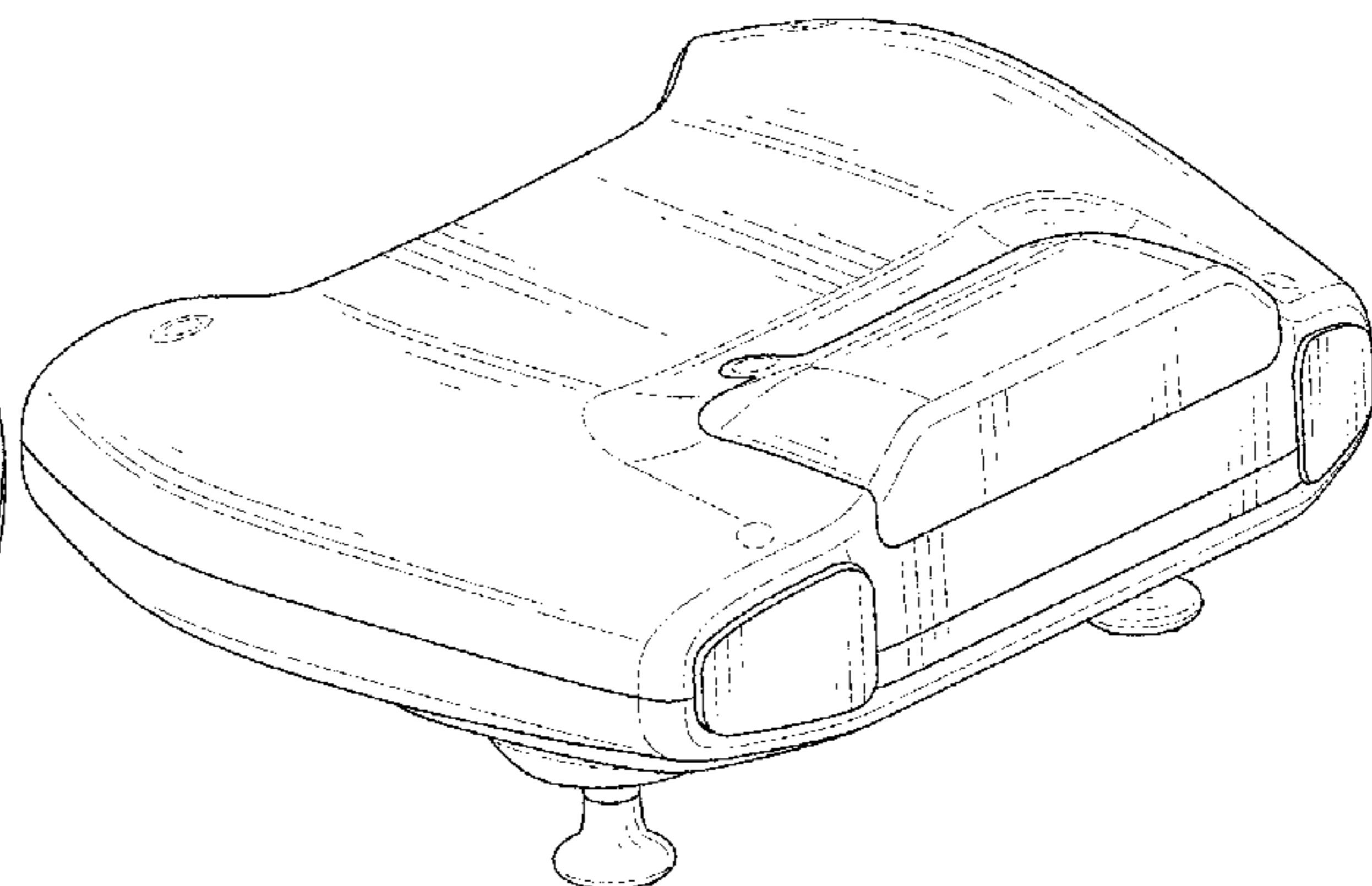
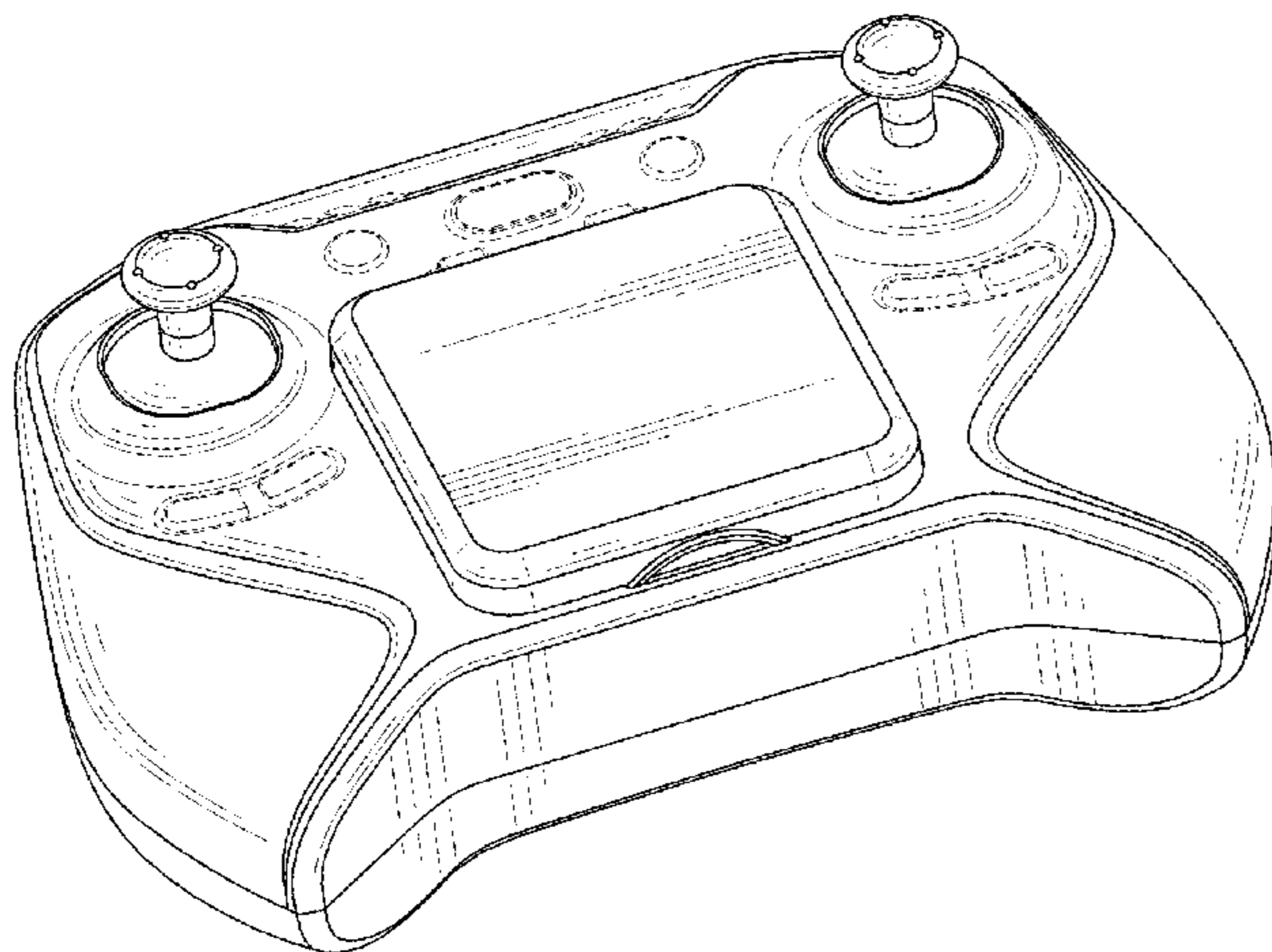
FIG. 6 is another side elevation view of the controller shown in FIG. 1;

FIG. 7 is a top plan view of the controller shown in FIG. 1; and,

FIG. 8 is a bottom plan view of the controller shown in FIG. 1.

The broken lines immediately adjacent to the shaded portions are boundaries, all other broken lines are environmental structures; all the broken lines form no part of the claimed design.

1 Claim, 8 Drawing Sheets



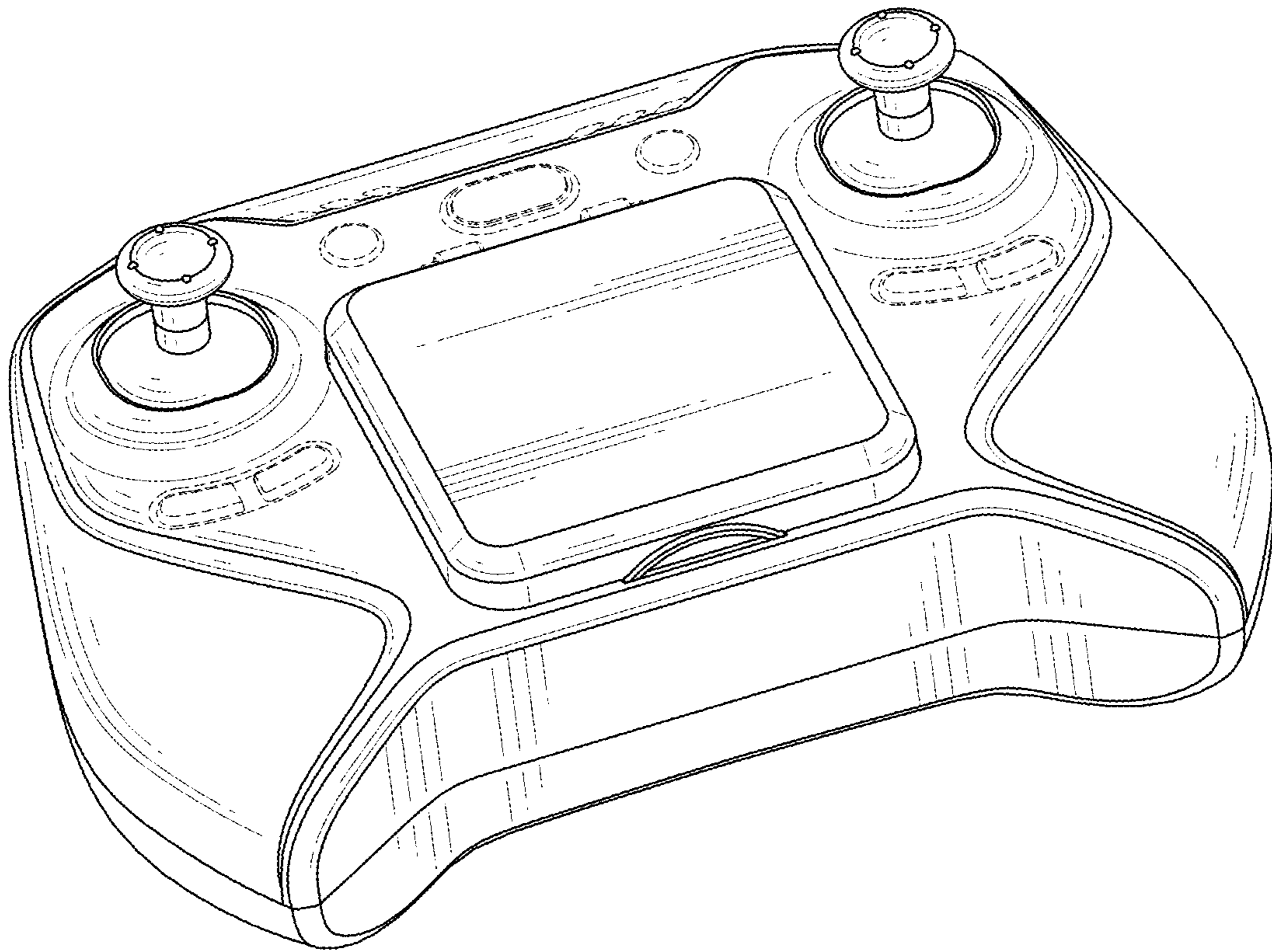


FIG. 1

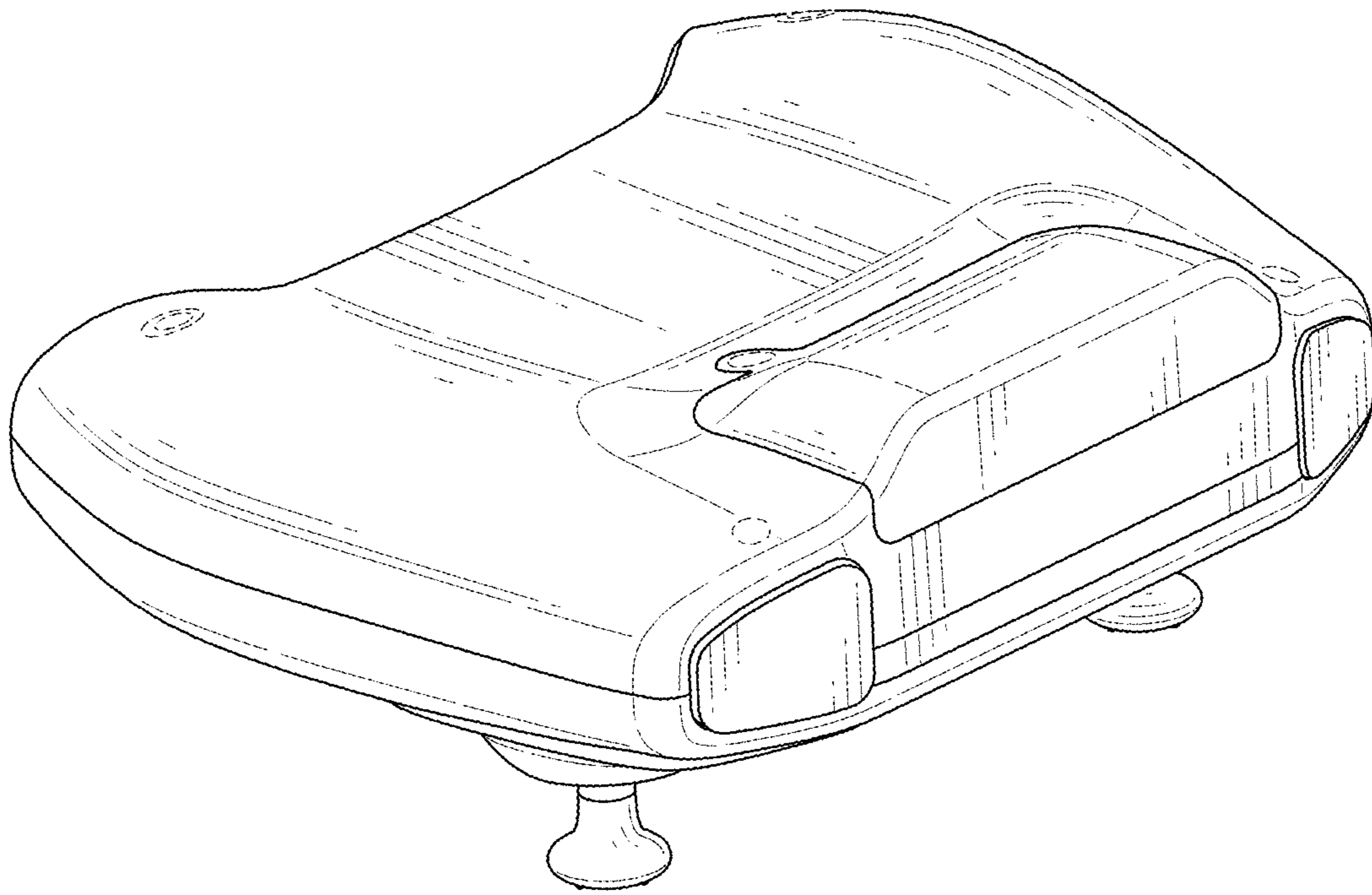


FIG. 2

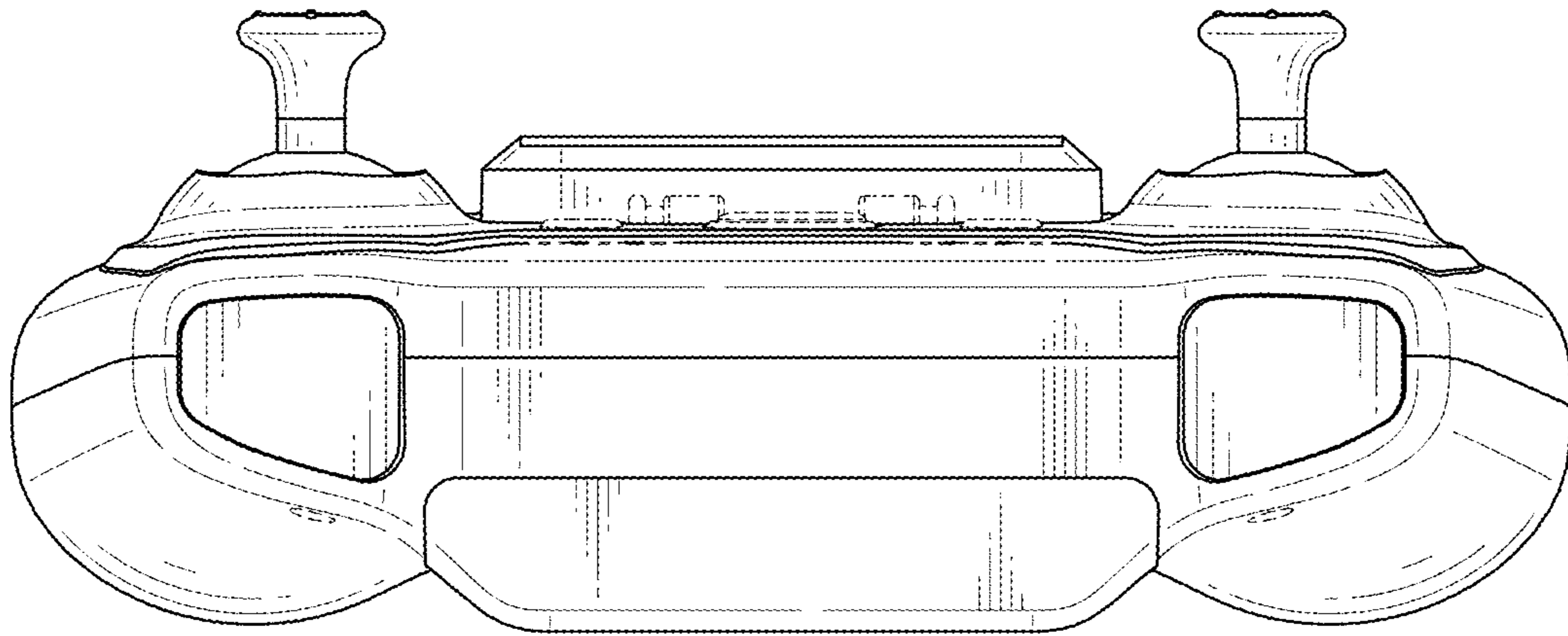


FIG. 3

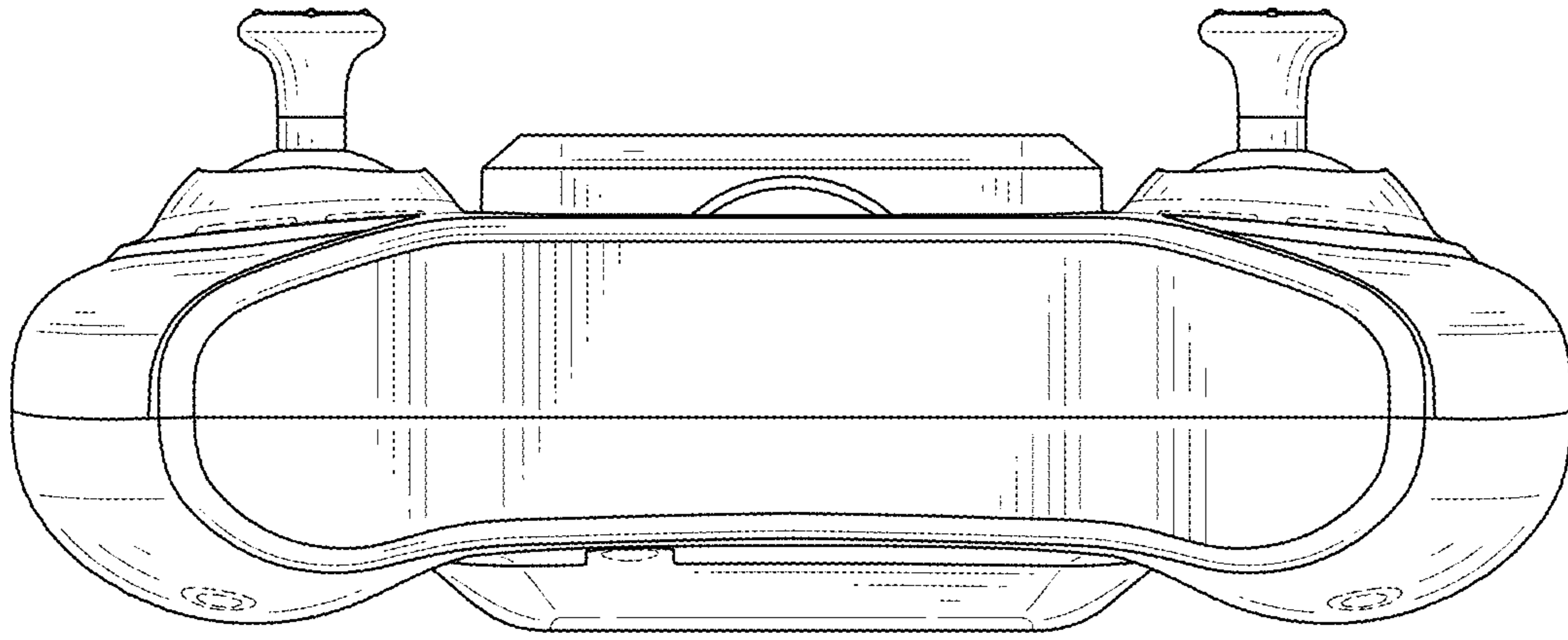


FIG. 4

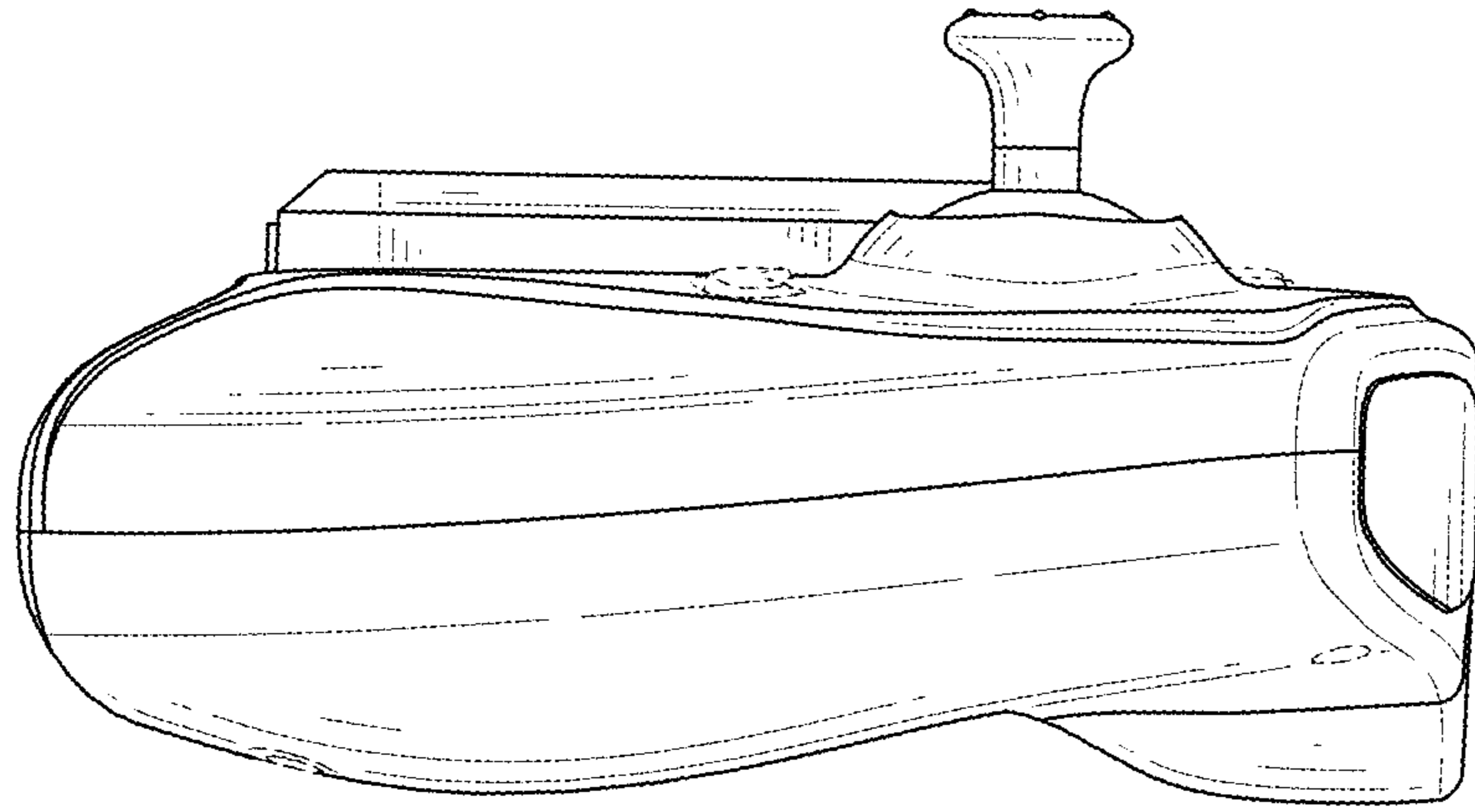


FIG. 5

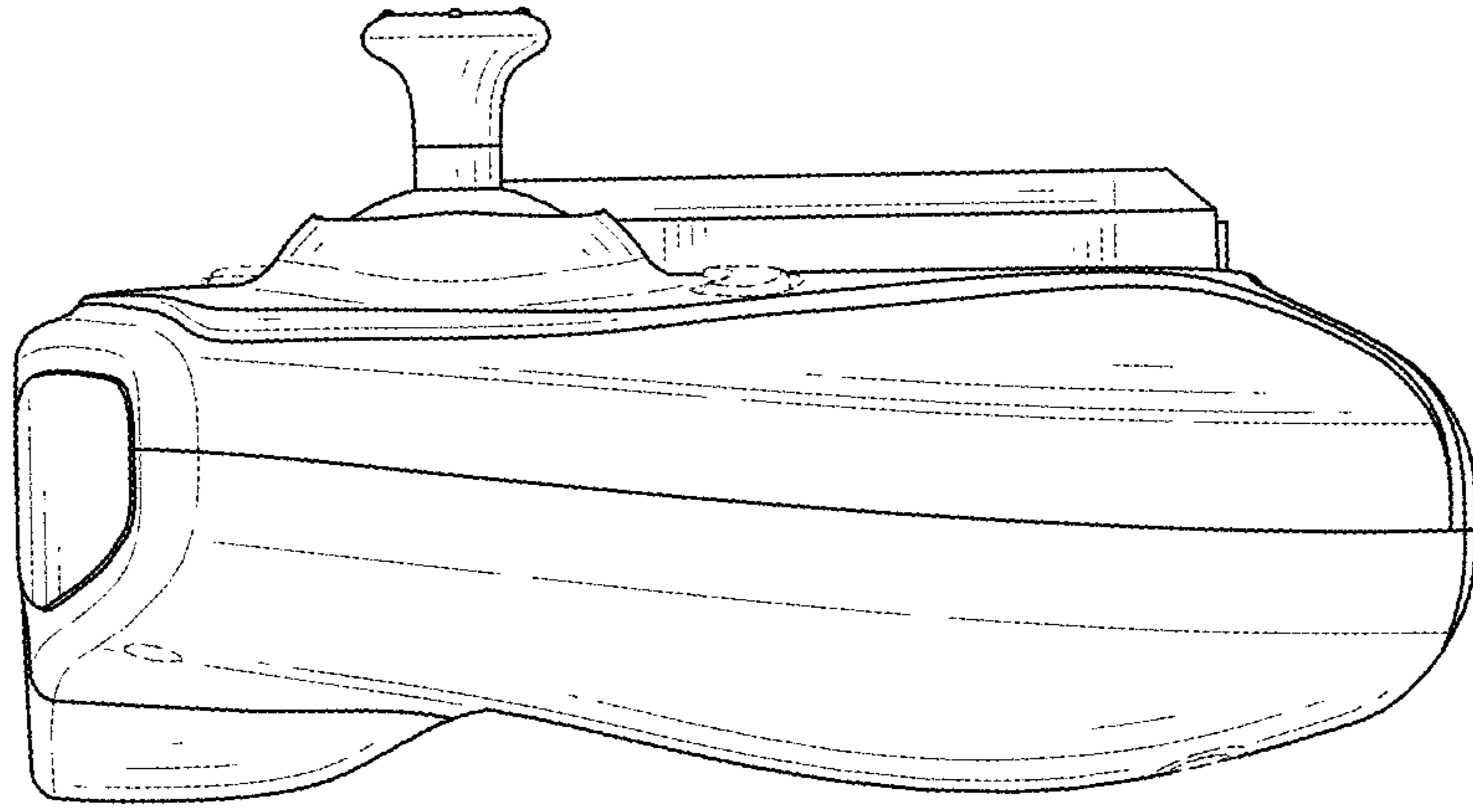


FIG. 6

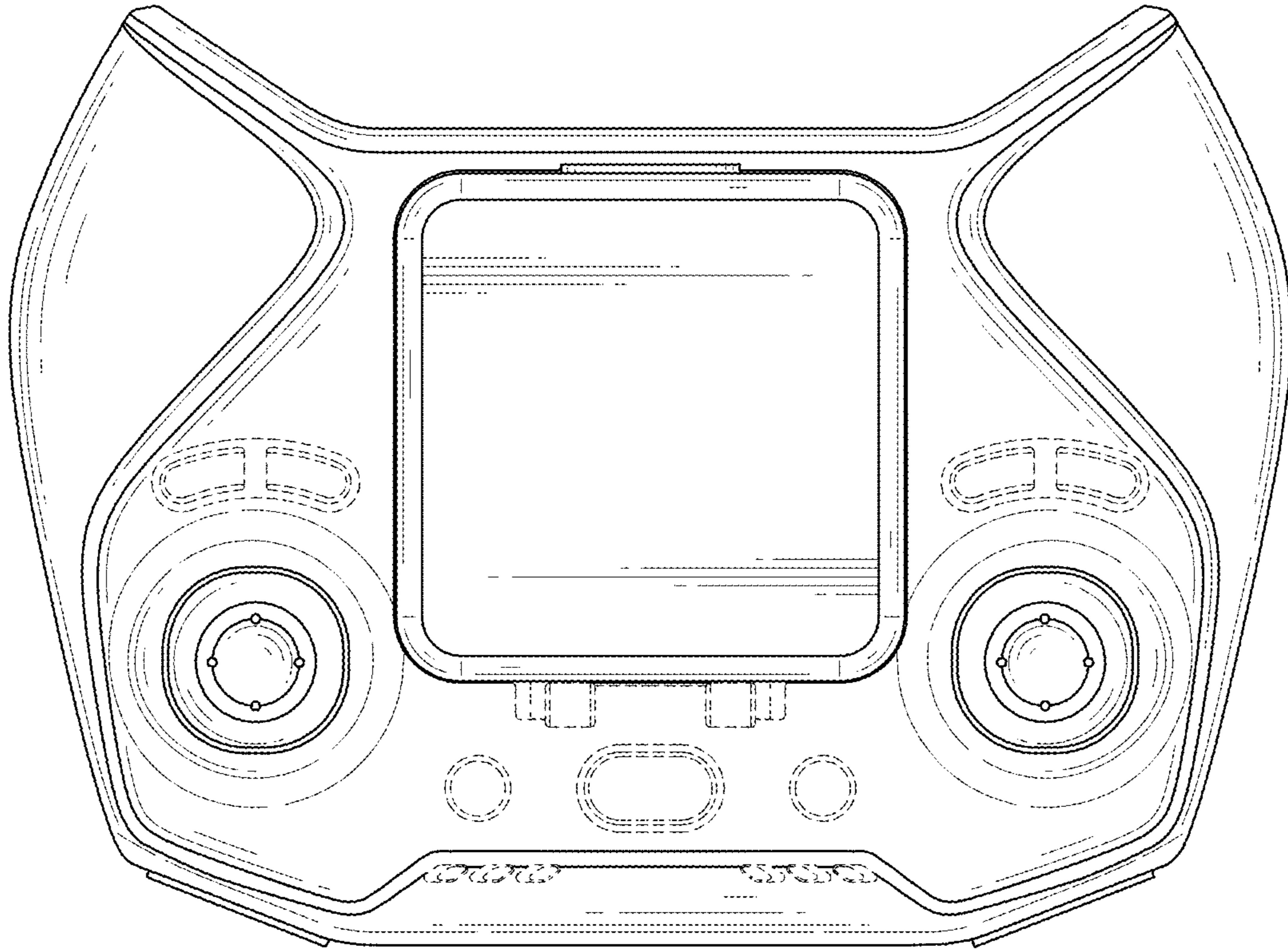


FIG. 7

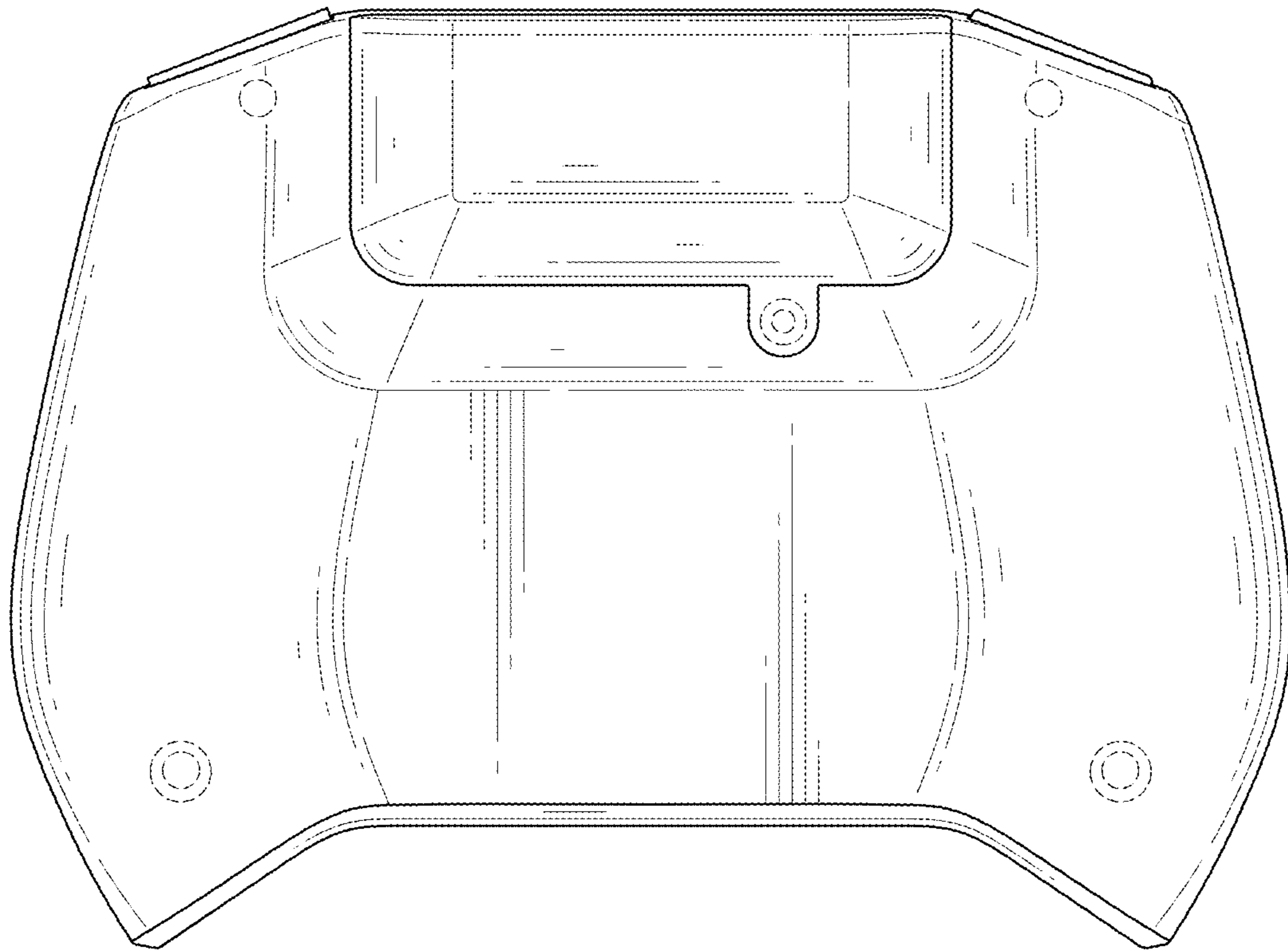


FIG. 8