



US00D892114S

(12) **United States Design Patent** (10) **Patent No.:** **US D892,114 S**
Siminoff et al. (45) **Date of Patent:** **** Aug. 4, 2020**

(54) **ACCESS CONTROLLER**

(71) Applicant: **Amazon Technologies, Inc.**, Seattle, WA (US)

(72) Inventors: **Mark Siminoff**, Mountain View, CA (US); **Matthew J. England**, Santa Monica, CA (US); **James Siminoff**, Pacific Palisades, CA (US); **Christopher Loew**, Santa Monica, CA (US)

(73) Assignee: **Amazon Technologies, Inc.**, Seattle, WA (US)

(**) Term: **15 Years**

(21) Appl. No.: **29/659,731**

(22) Filed: **Aug. 10, 2018**

(51) **LOC (12) Cl.** **14-02**

(52) **U.S. Cl.**
USPC **D14/383**

(58) **Field of Classification Search**
USPC D14/356–358, 383–385, 420, 426, 427, D14/432–439, 447, 453, 454, 217, 253, D14/299, 307; D13/107, 108, 133, 146, D13/147, 152, 154, 156, 158, 162, 162.1, D13/168, 173, 177, 102; 235/441, 451, 235/492, 380, 439, 375; 361/679.31, 600, 361/679.01, 679.02
CPC G07C 9/00103; G07C 9/00039; G07C 9/00904; G06K 5/00; G06K 7/01

See application file for complete search history.

(56) **References Cited**

U.S. PATENT DOCUMENTS

D699,614 S *	2/2014	Ke	D10/106.95
D719,862 S *	12/2014	Fiedler	D10/106.95
D736,207 S *	8/2015	Bousfield	D14/385
D838,271 S *	1/2019	Kaneko	D14/384
D849,005 S *	5/2019	Bierach	D14/383
D855,613 S *	8/2019	Kaiya	D14/383
D859,409 S *	9/2019	Tsujikawa	D14/383
D859,410 S *	9/2019	Tsujikawa	D14/383
D864,200 S *	10/2019	Holman, IV	D14/384
D867,916 S *	11/2019	Tatic	D10/106.95

* cited by examiner

Primary Examiner — Austin Murphy

(74) *Attorney, Agent, or Firm* — Lee & Hayes, P.C.

(57) **CLAIM**

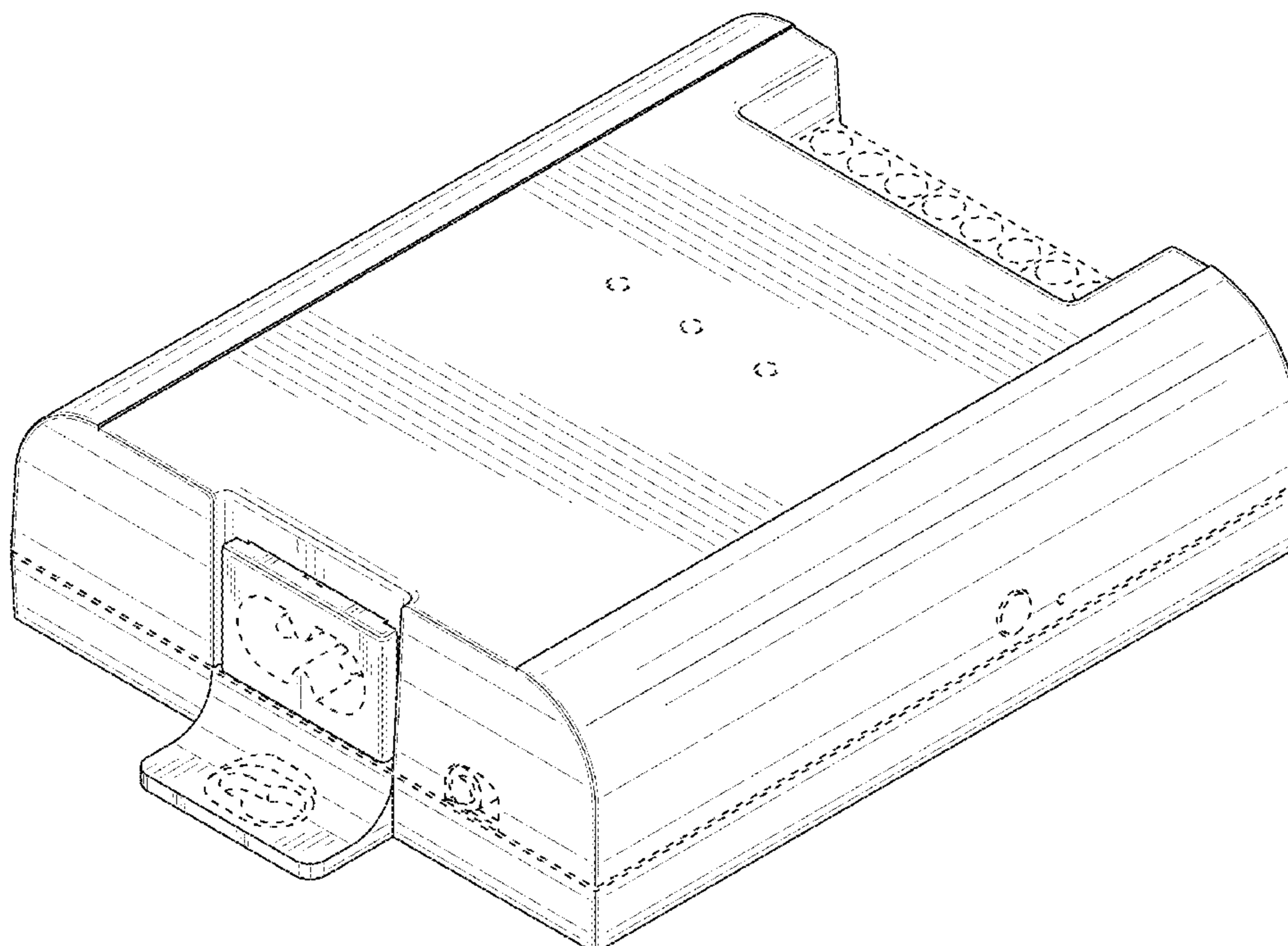
The ornamental design for an access controller, as shown and described.

DESCRIPTION

FIG. 1 is a front, left-side perspective view of an access controller;
FIG. 2 is a back, right-side perspective view thereof;
FIG. 3 is a front elevation view thereof;
FIG. 4 is a back elevation view thereof;
FIG. 5 is a left-side elevation view thereof;
FIG. 6 is a right-side elevation view thereof;
FIG. 7 is a top plan view thereof; and,
FIG. 8 is a bottom plan view thereof.

The dashed broken lines depict portions of the access controller that form no part of the claimed design. The dot-dashed broken lines represent boundaries of the claimed access controller that form no part of the claimed design.

1 Claim, 8 Drawing Sheets



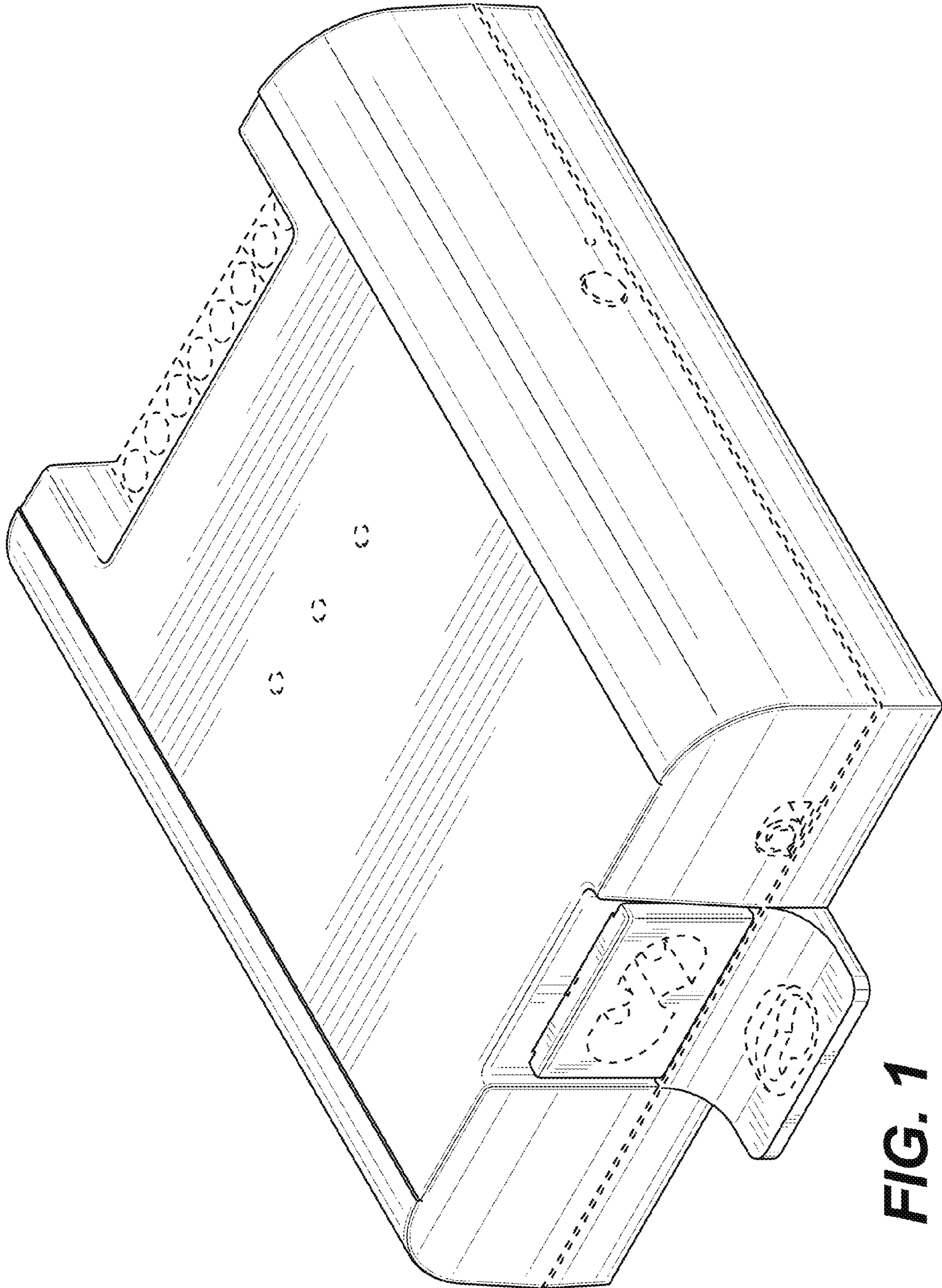


FIG. 1

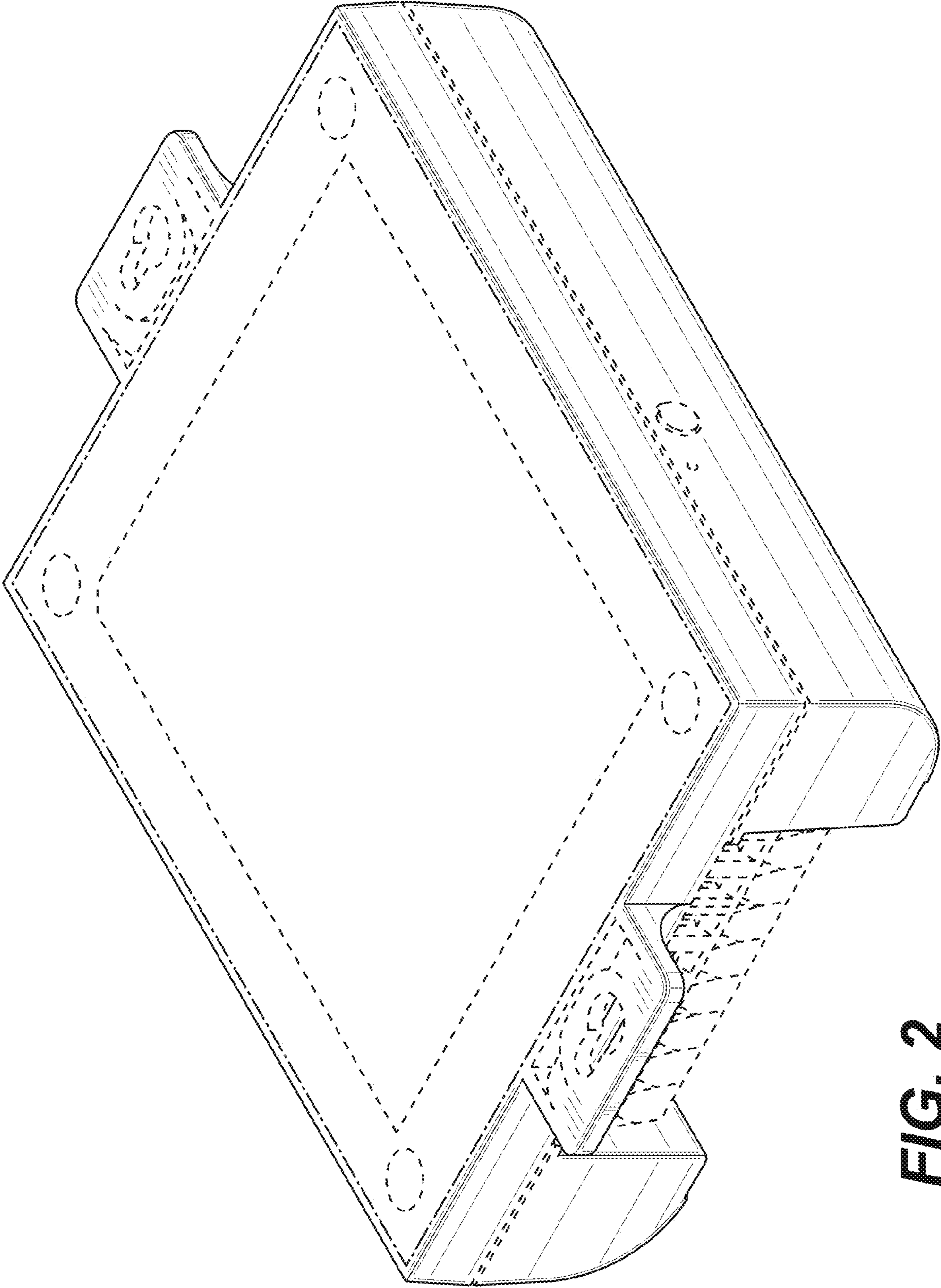


FIG. 2

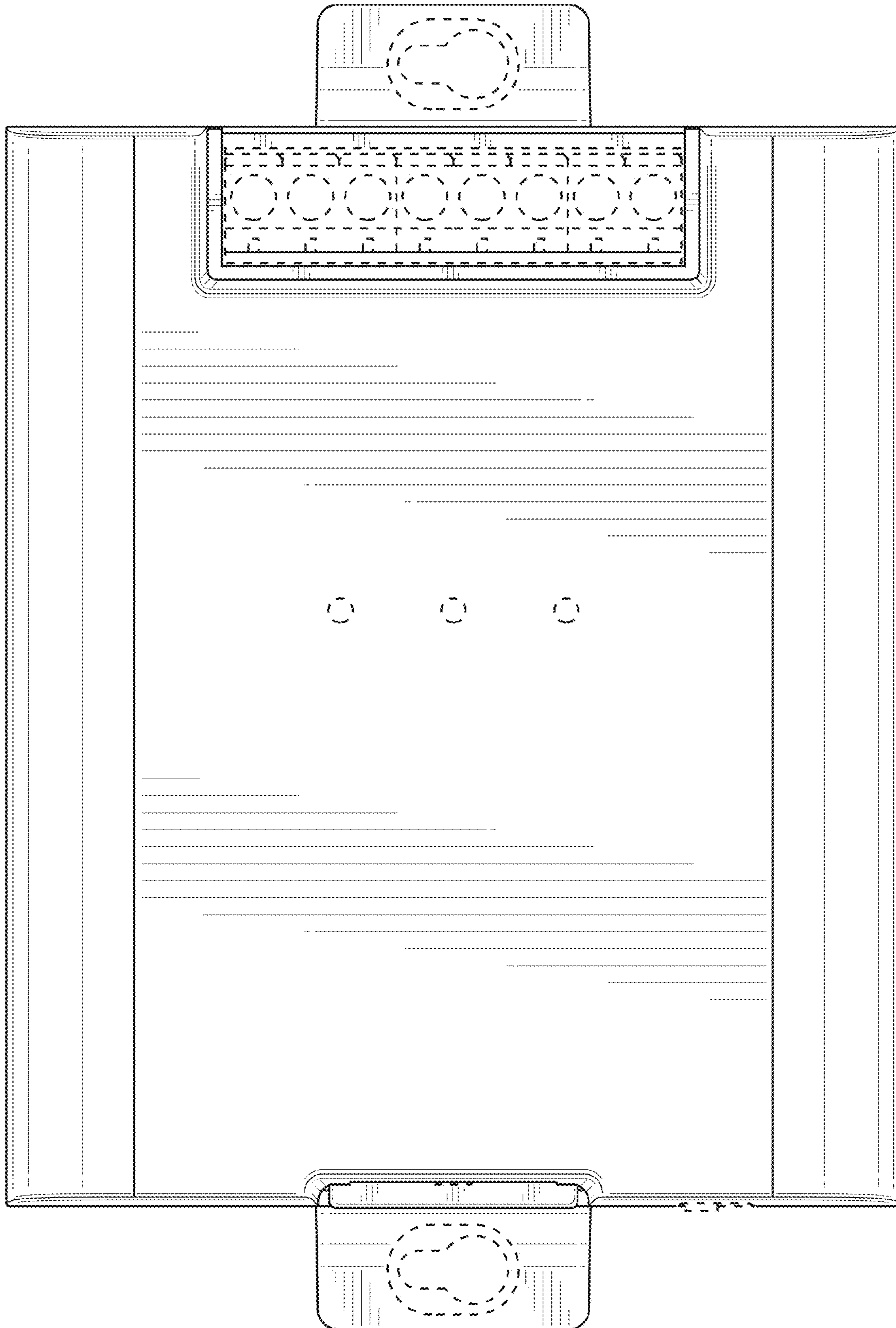


FIG. 3

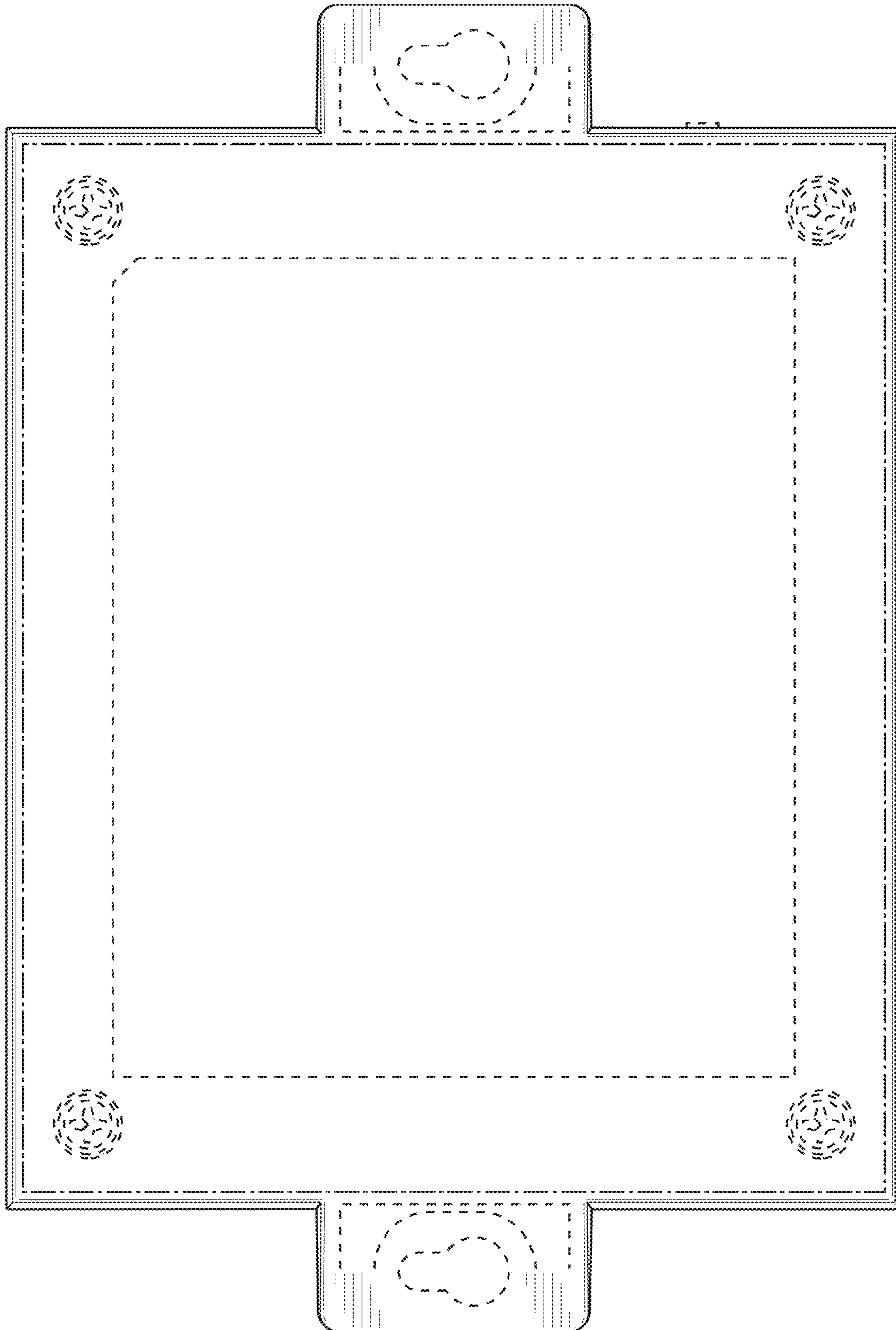


FIG. 4

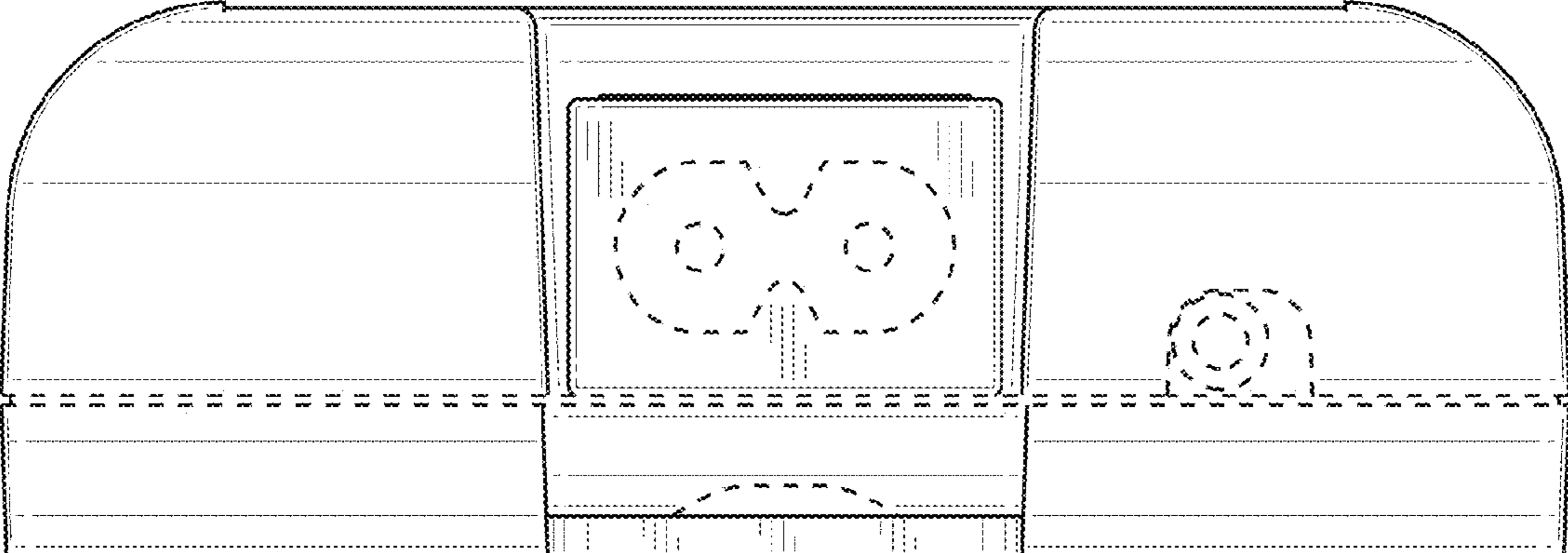


FIG. 5

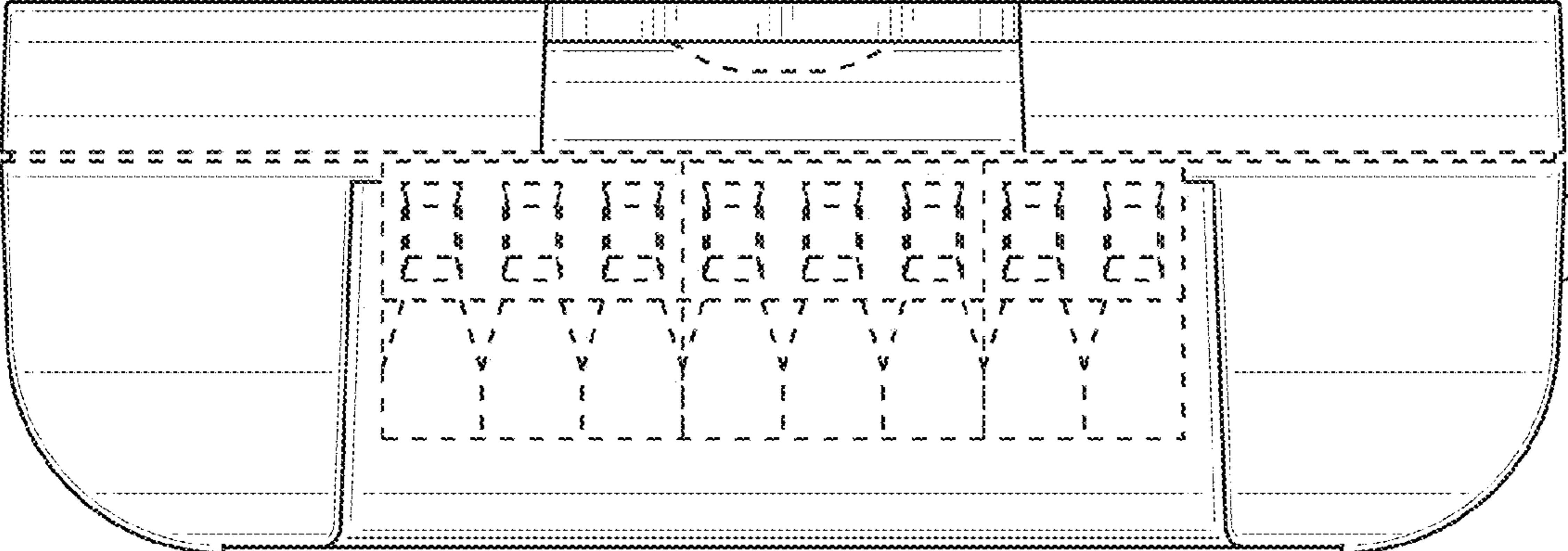


FIG. 6

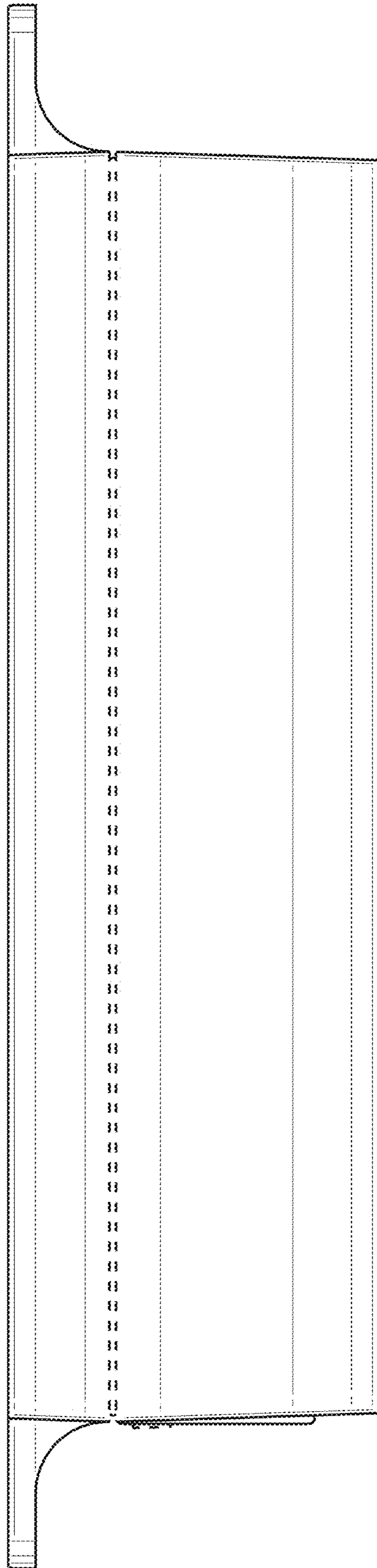


FIG. 7

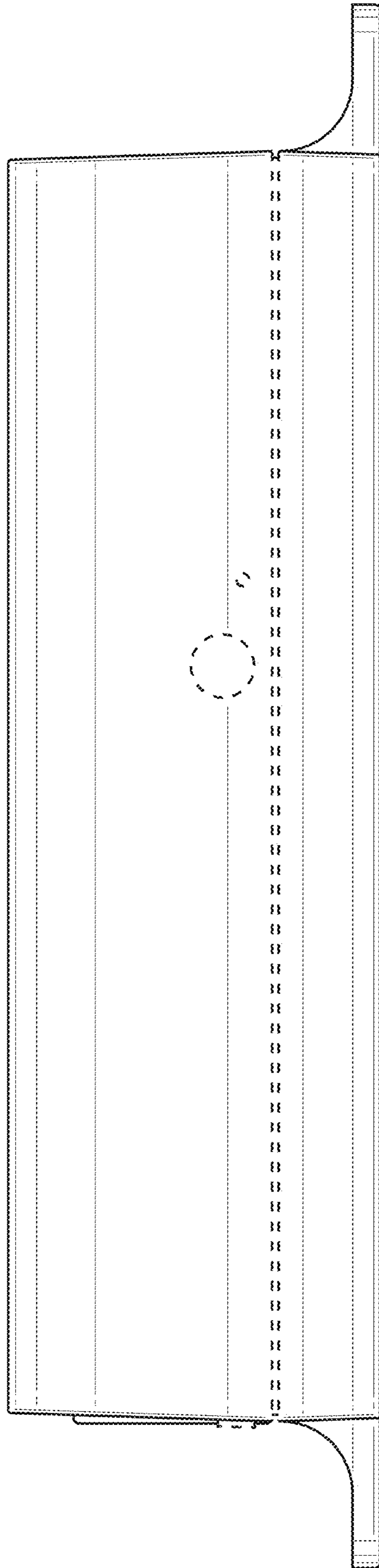


FIG. 8