



US00D892113S

(12) **United States Design Patent**
Kyryliv

(10) **Patent No.:** **US D892,113 S**

(45) **Date of Patent:** **** Aug. 4, 2020**

(54) **ELECTRONIC DEVICE**

(71) Applicant: **Senstone Inc.**, Walnut, CA (US)

(72) Inventor: **Vitalii Kyryliv**, Lviv (UA)

(73) Assignee: **Nazar Fedorchuk**, Kyiv (UA)

(**) Term: **15 Years**

(21) Appl. No.: **29/597,822**

(22) Filed: **Mar. 20, 2017**

(51) **LOC (12) Cl.** **14-02**

(52) **U.S. Cl.**
USPC **D14/344**

(58) **Field of Classification Search**

USPC D14/341-347, 125-134, 137, 138 R,
D14/138 AA, 138 AB, 138 C, 138 G, 147,
D14/203.1, 203.3, 203.4, 203.7, 218, 247,
D14/248, 332, 336, 371, 374-377, 388,
D14/389, 315-318, 420, 426, 429, 440,
D14/448, 450, 489, 492, 496;
D6/300-310; D10/50, 65, 104.1;
D16/241; D18/6; D20/10, 19, 39;
D21/329, 330; 455/575.3
CPC . A63H 33/3016; G06F 1/1613; G06F 1/1641;
G06F 1/1643; G06F 1/1647; G06F
3/04883; G06F 3/0486; G06F 3/04847;
G06F 3/04845; G06F 3/0484; G06F
3/04817; H05K 5/0004; H05K 5/0017;
H05K 5/02; H05K 5/0217; H04M 1/0279;
H04M 1/0281; H04M 1/0283; H04N
13/0459; G09B 21/02; G09B 21/025;
G09B 21/04; G09B 21/00; G09B 21/001;
G09B 21/002; G09B 21/003; G09B
21/004; G09B 21/005

See application file for complete search history.

(56) **References Cited**

U.S. PATENT DOCUMENTS

D116,491 S * 9/1939 Dedouch D6/309
D215,865 S * 11/1969 Edelman D10/2

D239,997 S * 5/1976 Burin et al. D6/303
D333,296 S * 2/1993 Stedham D13/171
D346,125 S * 4/1994 Cote D10/104.2
D430,143 S * 8/2000 Renk D14/218
D437,492 S * 2/2001 Wai D6/309
D487,455 S * 3/2004 Asahina D14/216
D493,449 S * 7/2004 Wang D14/247
D611,441 S * 3/2010 Johansson D14/138 AB
D612,361 S * 3/2010 Wright D14/203.1
D632,599 S * 2/2011 Tupinier D10/104.1

(Continued)

OTHER PUBLICATIONS

KickStarter: Senstone, Never Miss a Note Again, posted Feb. 7, 2017, [retrieved Mar. 13, 2020]. Retrieved from Internet, <URL: <https://www.kickstarter.com/projects/835264493/senstone-the-intelligent-wearable-voice-recorder/description> >.*

(Continued)

Primary Examiner — Shannon W Morgan

Assistant Examiner — Kristin E Reed

(57)

CLAIM

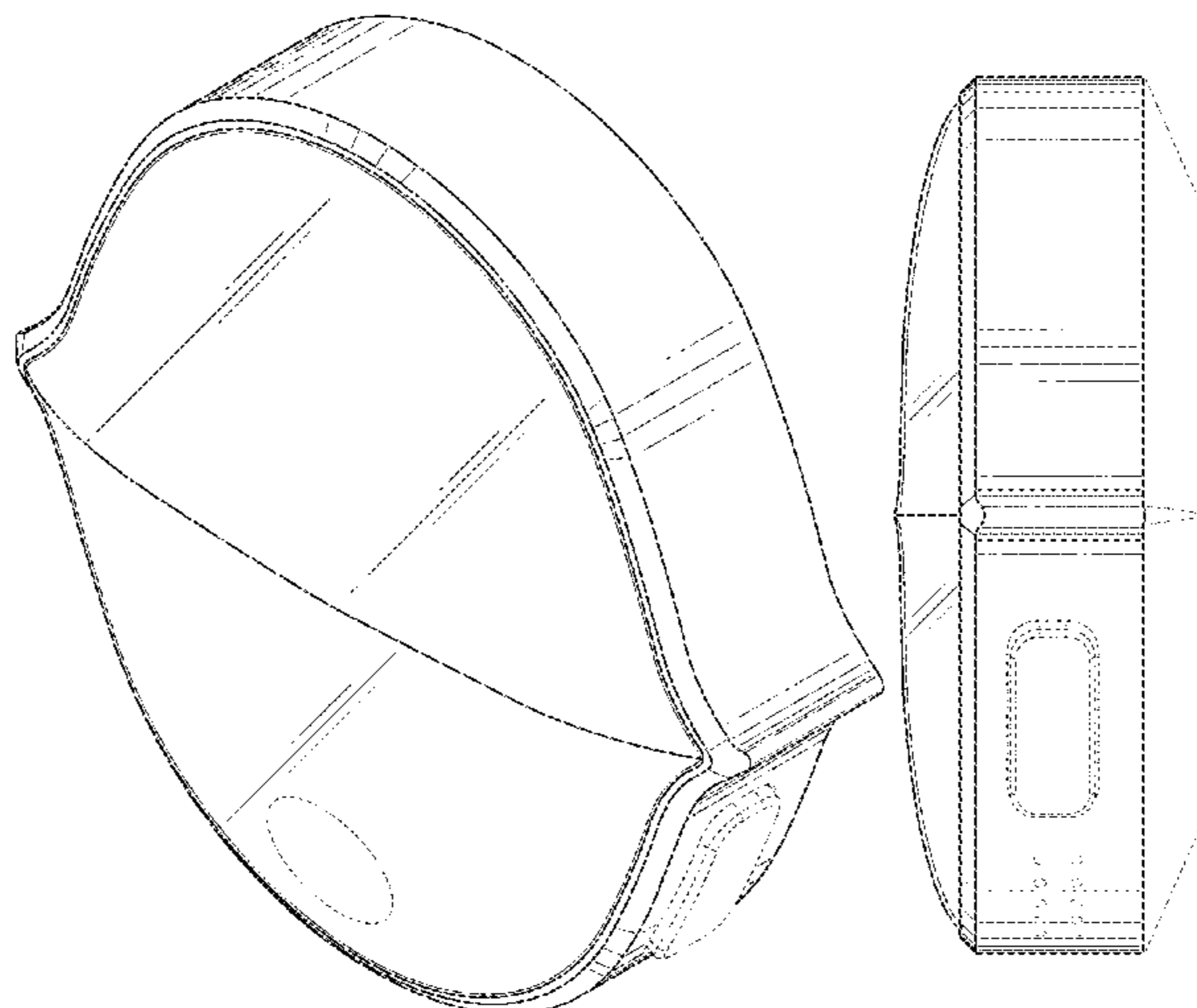
The ornamental design for an electronic device, as shown and described.

DESCRIPTION

FIG. 1 is a front perspective view of an electronic device in accordance with the present invention;
FIG. 2 is a front elevation view thereof;
FIG. 3 is a rear elevational view thereof;
FIG. 4 is a left side elevational view thereof;
FIG. 5 is a right side elevational view thereof;
FIG. 6 is a top plan view thereof; and,
FIG. 7 is a bottom plan view thereof.

The broken lines shown in the figures depict portions of the electronic device and form no part of the claimed design.

1 Claim, 7 Drawing Sheets



(56)

References Cited

U.S. PATENT DOCUMENTS

D643,412 S * 8/2011 Brady D14/218
D654,929 S * 2/2012 Morrow D14/492
8,138,942 B2 * 3/2012 Otsuka G08C 17/02
340/815.78
D656,954 S * 4/2012 Arnold D14/489
D704,581 S * 5/2014 Ho D10/78
8,829,550 B2 * 9/2014 Cho H01L 33/48
257/98
D720,090 S * 12/2014 Toomey D26/24
D726,672 S * 4/2015 Olodort D14/138 G
D754,126 S * 4/2016 Xiong D14/341
D767,628 S * 9/2016 Kim D14/488
D771,824 S * 11/2016 Minoli D10/65
D788,475 S * 6/2017 Kiyohara D6/309
D795,252 S * 8/2017 Chung D14/344
D800,768 S * 10/2017 Kim D14/489

OTHER PUBLICATIONS

Senstone is the Intelligent Way to Take Notes on the Go, posted Feb. 22, 2017, [retrieved Mar. 13, 2020]. Retrieved from Internet, <URL: <https://techgadgetcentral.com/2017/02/22/senstone-intelligent-way-take-notes-go/> >.*

Senstone micro-recorder provides hands-free mode, posted Feb. 13, 2017, [retrieved Mar. 13, 2020]. Retrieved from Internet, <URL: <http://www.mobipukka.ru/2017/02/13/mikro-diktofon-senstone-obespechit-rezhirm-svobodnyx-ruk/> >.*

* cited by examiner

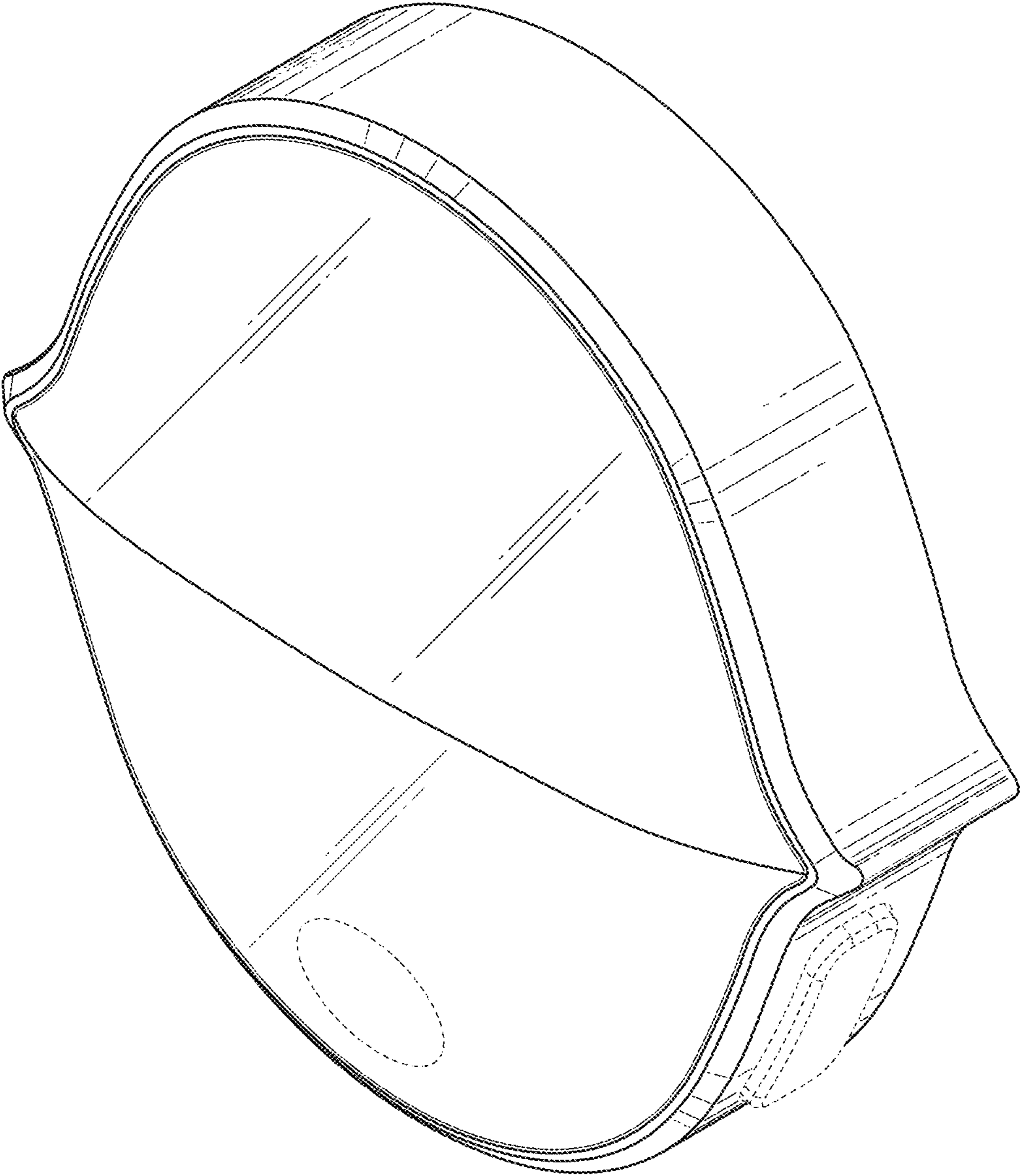


FIG. 1

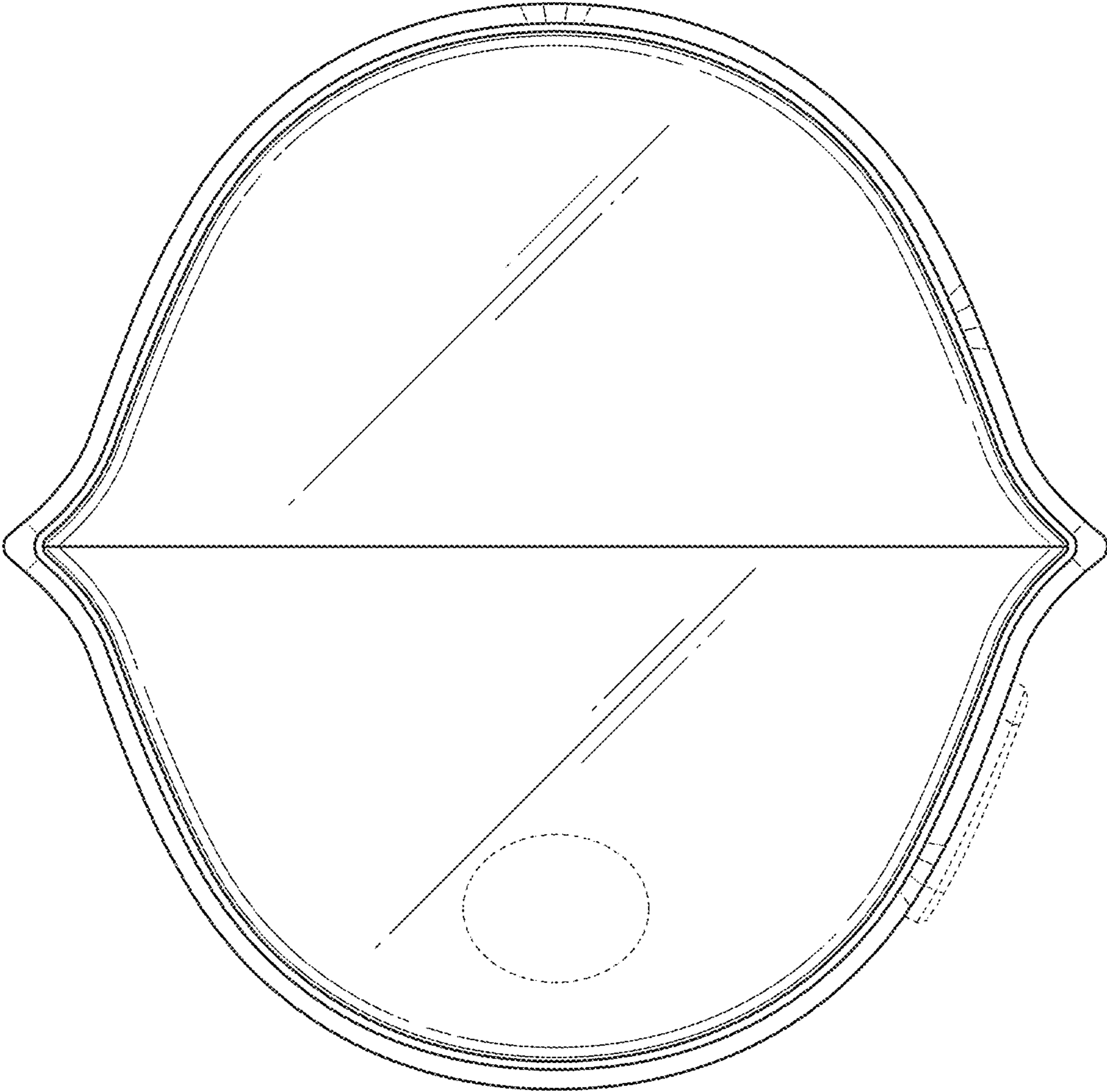


FIG. 2

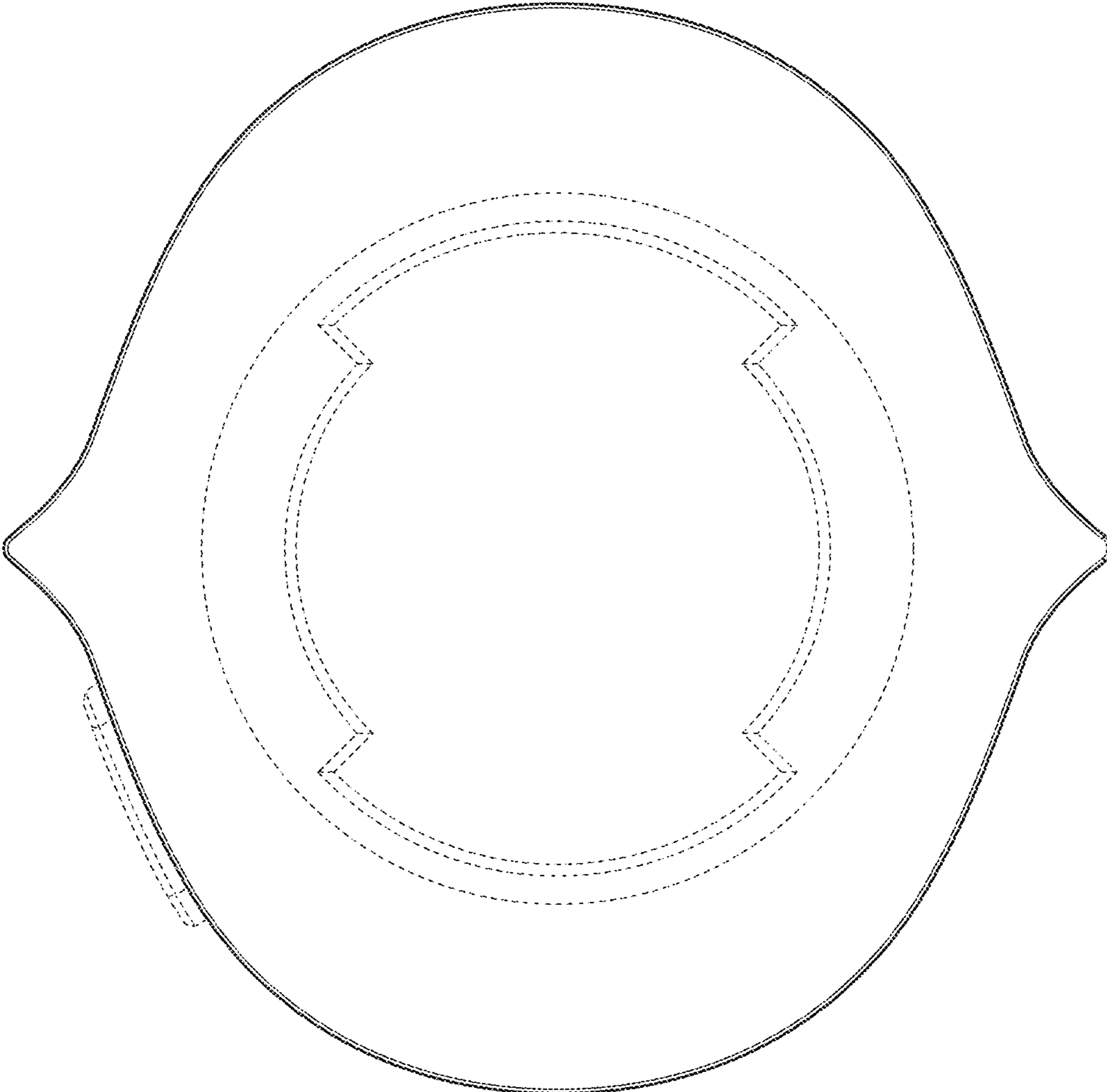


FIG. 3

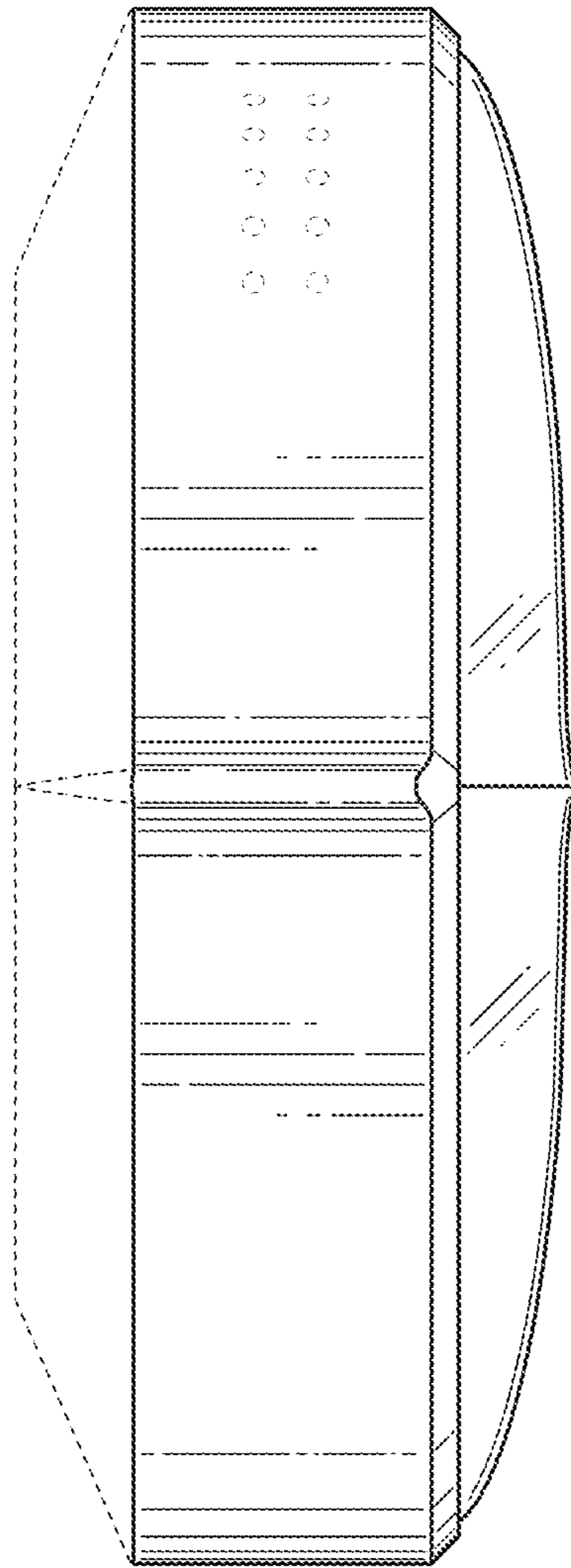


FIG. 4

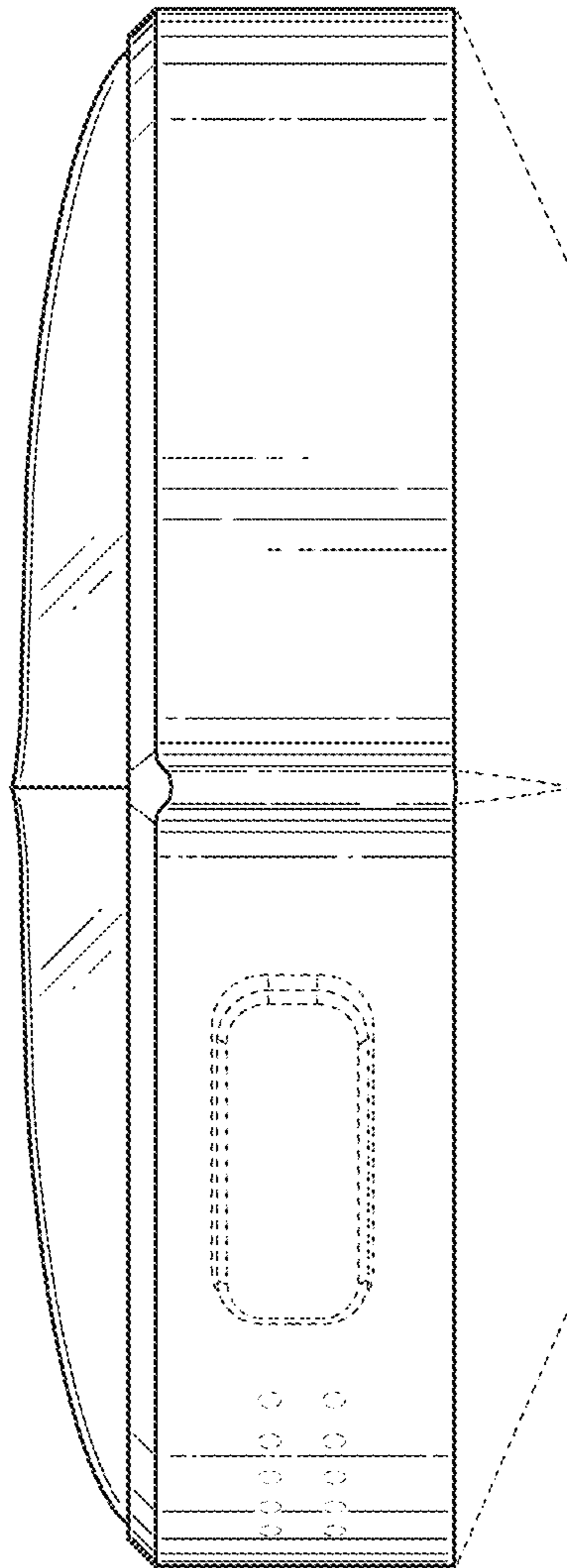


FIG. 5

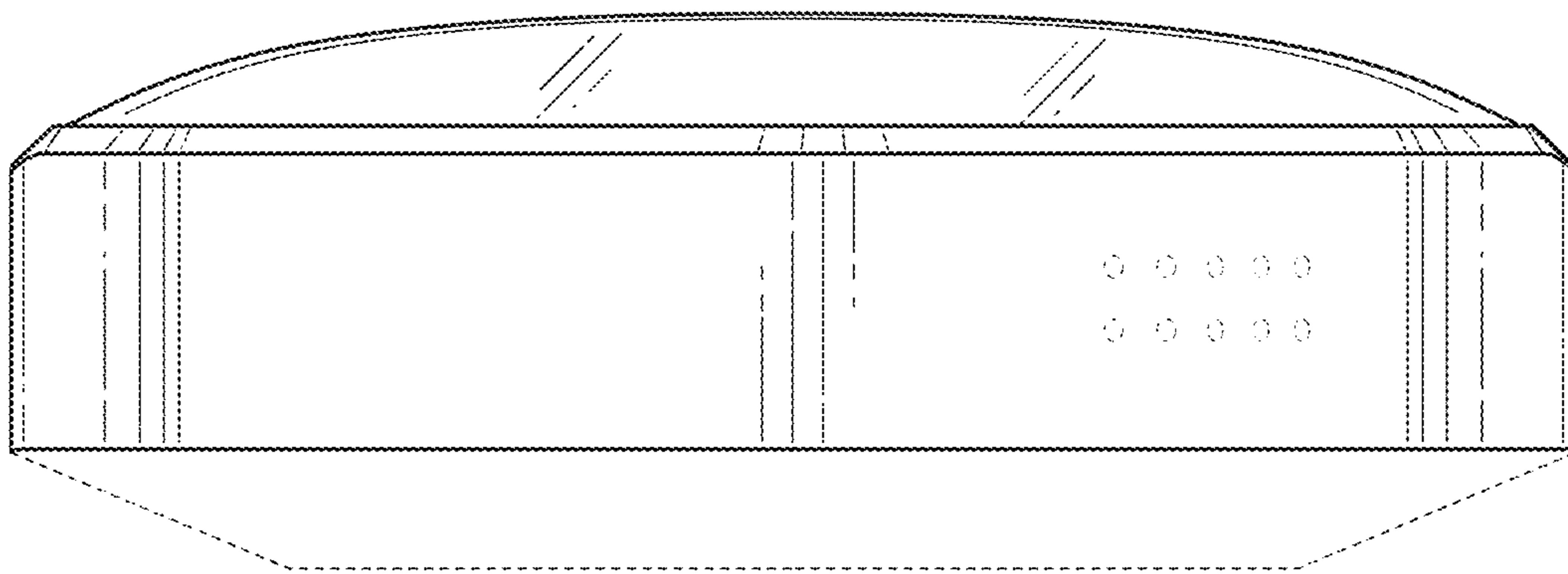


FIG. 6

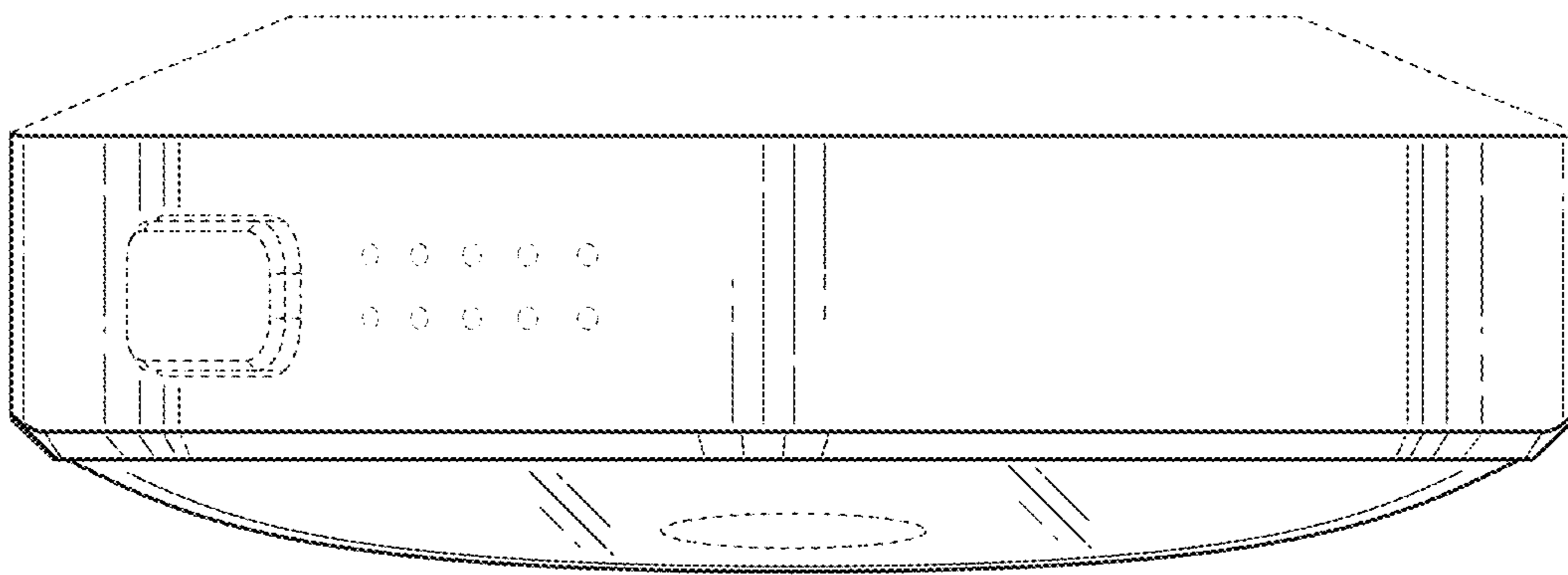


FIG. 7